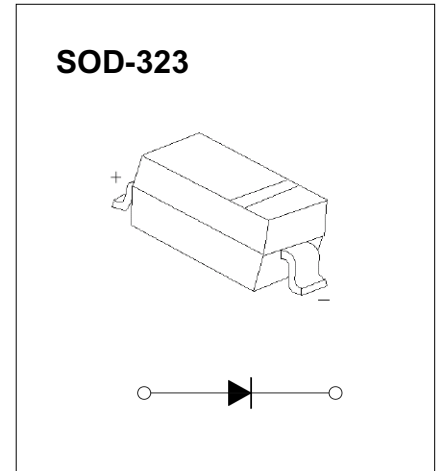


■ Features

- High Current Capability
- Low Forward Voltage Drop
- For use in low voltage, high frequency inverters
- Free wheeling, and polarity protection applications

■ Mechanical Data

- package:SOD-323
- Polarity: Color band denotes cathode end
- Mounting Position: Any



■ Ordering Information

Part Number	Package	Marking	Packing	Quantity per reel	Reel Size
CUS08F30	SOD-323	SK	Tape & Reel	3000 PCS	7 inches

■ Maximum Ratings & Thermal Characteristics(Ratings at 25 °C ambient temperature unless otherwise specified.)

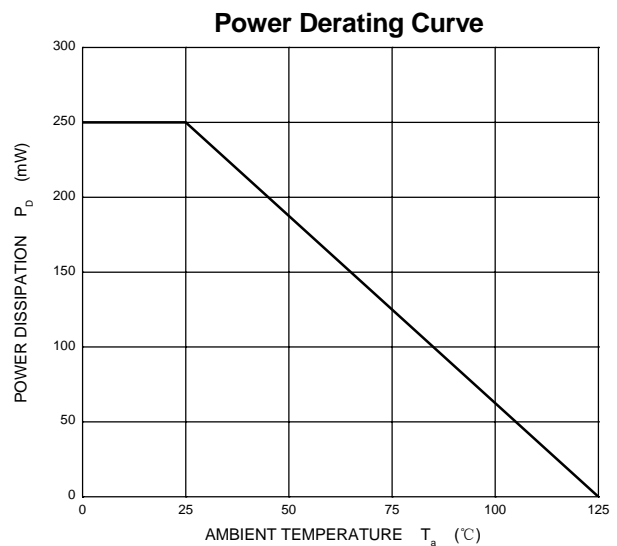
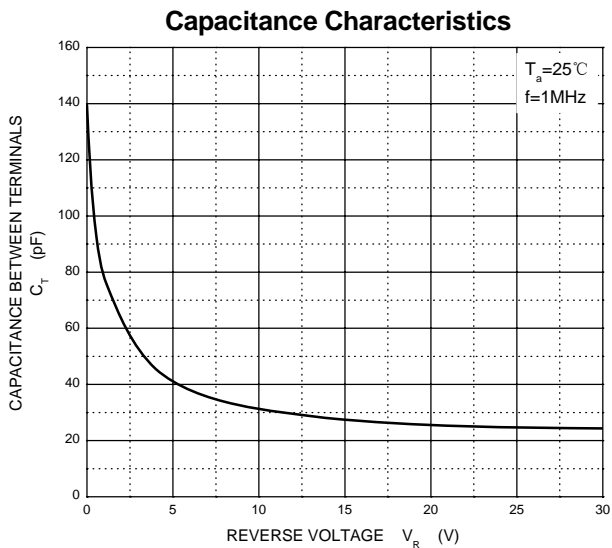
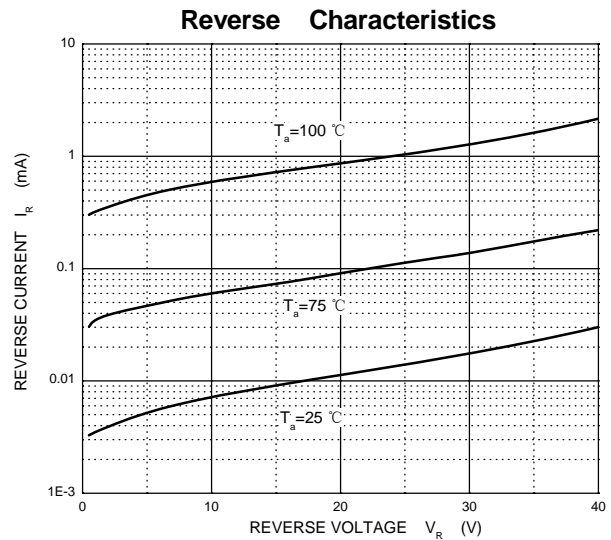
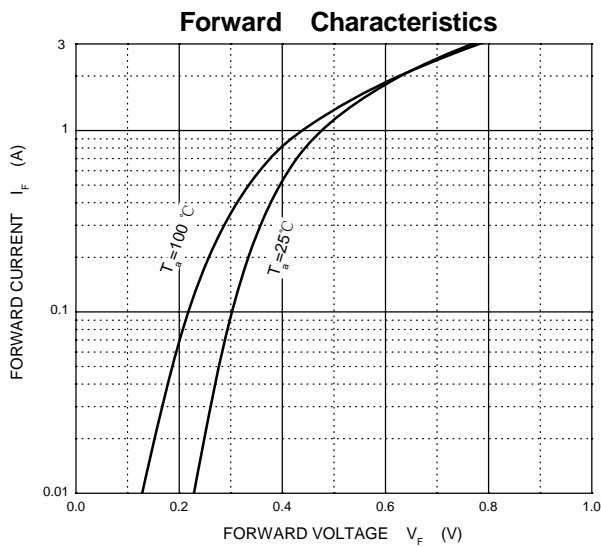
Parameters	Symbol	CUS08F30	Unit
Maximum repetitive peak reverse voltage	VRRM	30	V
Maximum RMS voltage	VRMS	21	V
Maximum DC blocking voltage	VDC	30	V
Maximum average forward rectified current	IFM	1	A
Peak forward surge current 8.3ms single half sine-wave	IFSM	9	A
Power Dissipation	PD	400	mW
Typical thermal resistance	R θ JA	250	°C/W
Operating junction temperature	T _J	125	°C
Storage temperature range	TSTG	-50-+150	°C



■ **Electrical Characteristics**(Ratings at 25°C ambient temperature unless otherwise specified)

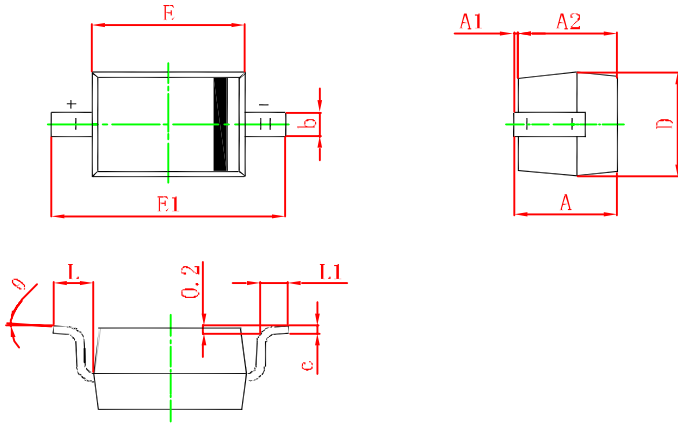
Parameters	Symbol	Test conditions	CUS08F30	Unit
Maximum forward voltage	VF	IF = 1.0A IF = 3.0A	0.550 0.875	V
Maximum reverse breakdown voltage	VR	IR=1mA	30	V
Maximum reverse current	IR	VR=30V CUS08F30	1.0	mA
Type junction capacitance	Cj	VR = 4.0V, f = 1MHz	120	pF

Typical Characteristics





■ SOD-323 Package Outline Dimensions



Symbol	Min	Max.(mm)
A		1.000
A1	0.000	0.100
A2	0.800	0.900
b	0.250	0.350
c	0.080	0.150
D	1.200	1.400
E	1.600	1.800
E1	2.500	2.700
L	0.475REF	
L1	0.250	0.400
θ	0°	8°

X-ON Electronics

Largest Supplier of Electrical and Electronic Components

Click to view similar products for [Schottky Diodes & Rectifiers](#) category:

Click to view products by [DOWO](#) manufacturer:

Other Similar products are found below :

[MA4E2039](#) [MMBD301M3T5G](#) [HFA35HB60C](#) [RB160M-50TR](#) [D83C](#) [BAS16E6433HTMA1](#) [BAS 3010S-02LRH](#) [E6327](#) [BAT 54-02LRH](#)
[E6327](#) [NRVBAF360T3G](#) [NSR05F40QNXT5G](#) [NTE555](#) [JANS1N6640](#) [SS3003CH-TL-E](#) [GA01SHT18](#) [CRS10I30A\(TE85L,QM](#)
[MBRA140TRPBF](#) [MBRB30H30CT-1G](#) [BAT 15-04R](#) [E6152](#) [JANTX1N5712-1](#) [DMJ3940-000](#) [SB007-03C-TB-E](#) [NRVBB20100CTT4G](#)
[NRVBM120LT1G](#) [NTSB30U100CT-1G](#) [CRG04\(T5L,TEMQ\)](#) [ACDBA1100LR-HF](#) [ACDBA1200-HF](#) [ACDBA240-HF](#) [ACDBA3100-HF](#)
[CDBQC0530L-HF](#) [ACDBA260LR-HF](#) [ACDBA1100-HF](#) [10BQ015-M3/5BT](#) [NRVBM120ET1G](#) [VSSB410S-M3/5BT](#) [1N5819T-G](#)
[PDS1040Q-13](#) [B160BQ-13-F](#) [SDM05U20CSP-7](#) [BAS 70-07](#) [E6433](#) [B140S1F-7](#) [HSM560Je3/TR13](#) [DDB2265-000](#) [ZHCS506QTA](#)
[HSM190Je3/TR13](#) [B330AF-13](#) [ACDBUC0230-HF](#) [SDM1U100S1F-7](#) [MBR10200CTF-G1](#) [CDLL5712](#)