

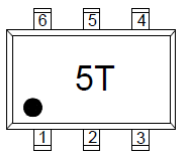
■ Features

- Uni-directional ESD protection of four lines
- 60Watts peak pulse power ($t_p = 8/20\mu s$)
- Working voltage: 5V
- Ultra low capacitance: 0.6pF typical (I/O-GND)
- Ultra low leakage: nA level
- Up to 4 data lines and one power line protects
- Low clamping voltage
- IEC 61000-4-2 $\pm 15kV$ contact $\pm 20kV$ air
- IEC 61000-4-5 (Lightning) 4.5A ($8/20\mu s$)

■ Mechanical Data

- Package: SOT-363
- Molding compound flammability rating: UL 94V-0
- RoHS/WEEE Compliant

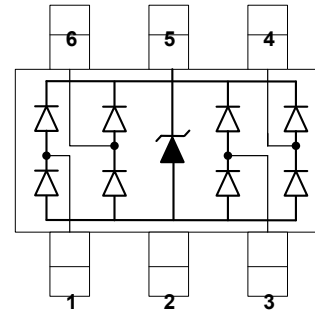
■ Ordering Information

Part Number	Package	Marking	Packing	Reel Size
NUP4202W1T2G	SOT-363		3000 Tape & Reel	7 inches

■ Applications

- Monitors and flat panel displays
- Set-top box and Digital TV
- Video graphics cards
- Digital Video Interface (DVI)
- Notebook Computers
- PCI Express and Serial SATA Ports

■ Schematic & PIN Configuration



■ Absolute Maximum Rating($T_A=25^{\circ}\text{C}$ unless otherwise Specified)

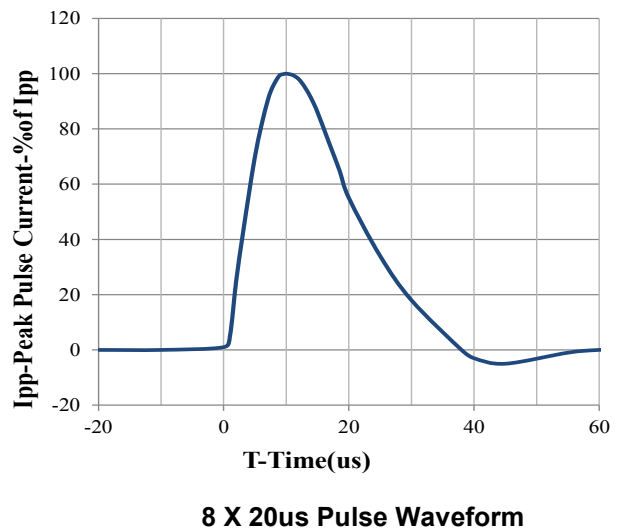
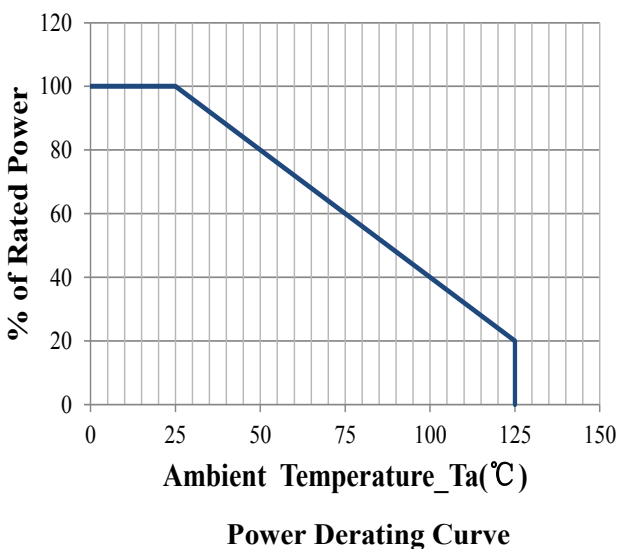
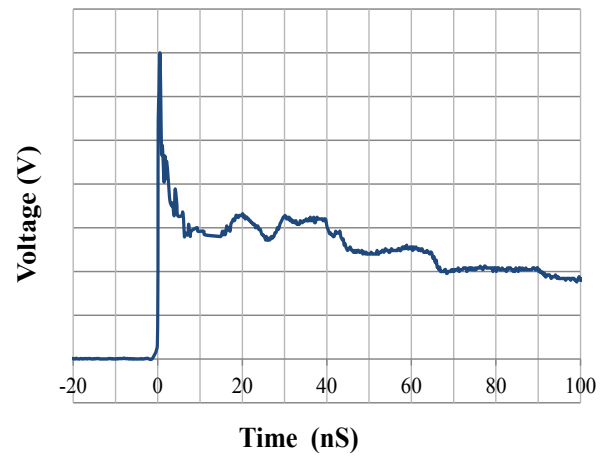
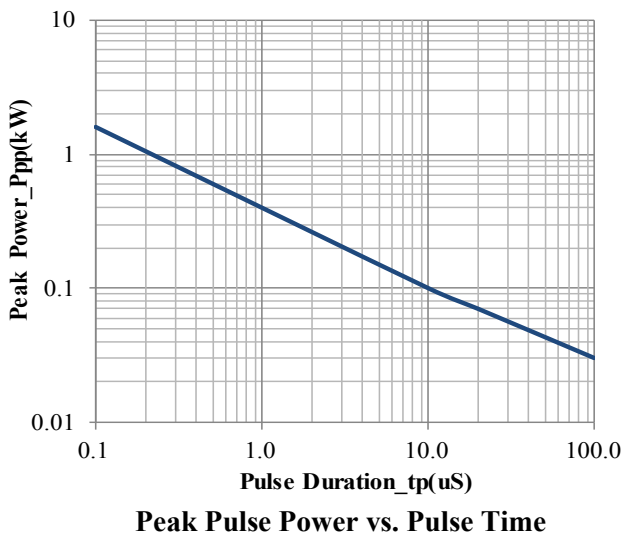
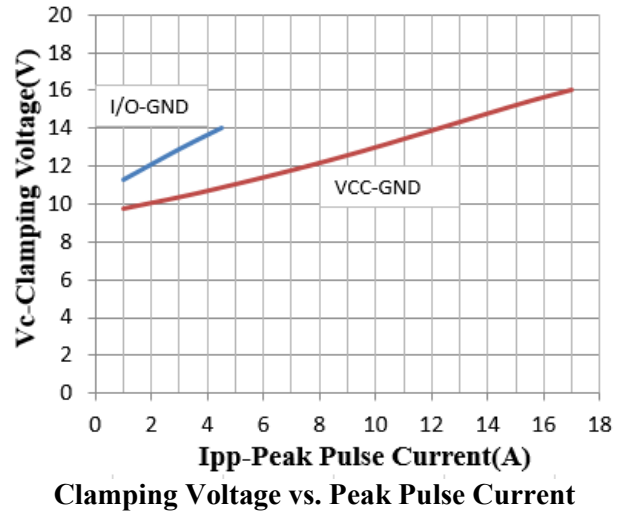
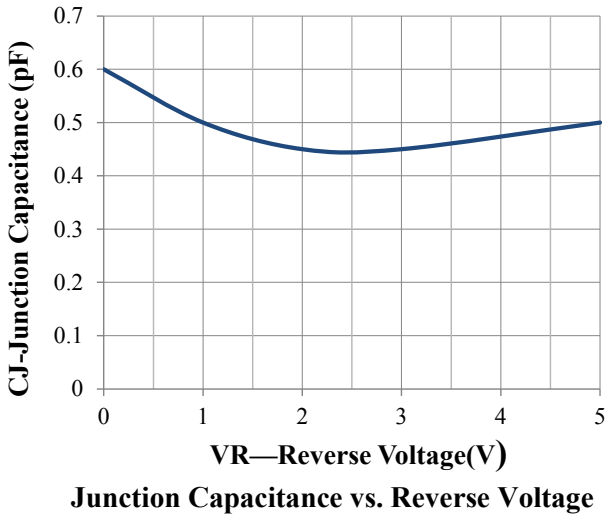
Parameter	Symbol	Value	Unit
Peak Pulse Power (8/20 μs ,I/O-GND)	Ppk	60	W
Peak Pulse Power (8/20 μs ,Vcc-GND)	Ppk	300	W
Peak Pulse Current (8/20 μs ,I/O-GND)	IPP	4.5	A
Peak Pulse Current (8/20 μs ,Vcc-GND)	IPP	17	A
ESD per IEC 61000-4-2 (Air) ESD per IEC 61000-4-2 (Contact)	VESD,VDD VESD,I/O	± 20 ± 15	kV
Operating Temperature Range	TJ	-55 to +125	$^{\circ}\text{C}$
Storage Temperature Range	Tstg	-55 to +150	$^{\circ}\text{C}$

■ Electrical Characteristics($T_A=25^{\circ}\text{C}$ unless otherwise Specified)

Parameter	Symbol	Test Condition	Min	Typ	Max	Unit
Reverse Working Voltage	VRWM	Pin 5 to GND,I/O-GND			5.0	V
Breakdown Voltage	VBR	IT = 1mA(Pin 5 to GND,I/O-GND)	6.0	7.5	8.5	V
Reverse Leakage Current	IR	VRWM = 5.0V			0.5	μA
Forward Breakdown Voltage	VF	IF = 15mA,GND to Pin 5/IO		0.8	1.0	V
Clamping Voltage	VC	IPP = 4.5A (8 x 20 μs pulse, I/O to GND)		14.0	15.0	V
Clamping Voltage	VC	IPP = 17A (8 x 20 μs pulse,Pin 5 to GND)		16.0	18.0	V
Junction Capacitance	CJ	Vpin5 = 5V, I/O=0V, f = 1MHz,I/O-GND		0.6	0.8	pF
Junction Capacitance	CJ	Vpin5 = 5V, I/O=0V, f = 1MHz,I/O-I/O pins		0.3	0.4	pF

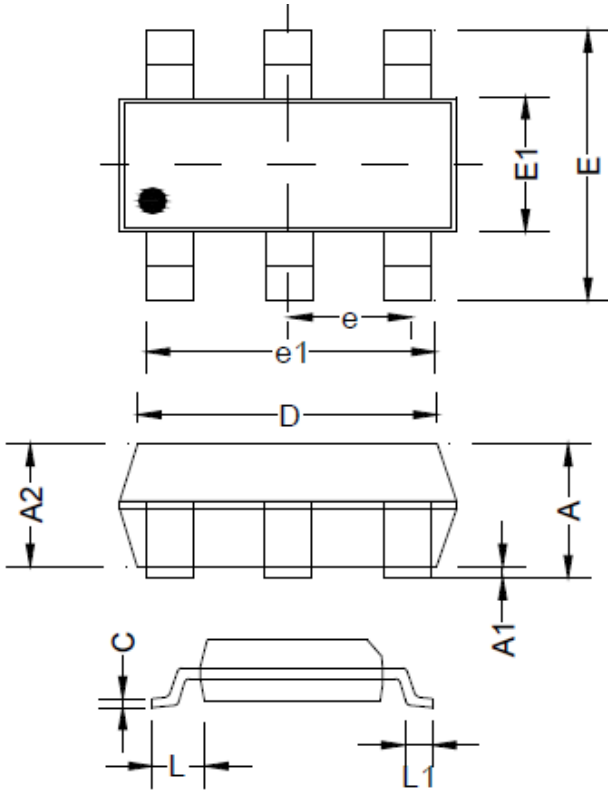


■ Typical Characteristics($T_A=25^\circ\text{C}$ unless otherwise Specified)





■ Outline Drawing – SOT-363



Symbol	Millimeter		Inches	
	Min	Max	Min	Max
A	0.900	1.100	0.035	0.043
A1	0.000	0.100	0.000	0.004
A2	0.900	1.000	0.035	0.039
D	2.000	2.200	0.079	0.087
E1	1.150	1.350	0.045	0.053
E	2.150	2.450	0.085	0.096
e	0.650Typ.		0.026Typ.	
e1	1.200	1.400	0.047	0.055
L	0.525Ref.		0.021Ref.	
L1	0.260	0.460	0.010	0.018
θ	0°	8°	0°	8°
Z	2.300		0.090	
G	1.850		0.073	
P	0.65Typ.		0.020Typ.	
X	0.200		0.008	
Y	0.850		0.033	

X-ON Electronics

Largest Supplier of Electrical and Electronic Components

Click to view similar products for [ESD Suppressors / TVS Diodes](#) category:

Click to view products by [DOWO](#) manufacturer:

Other Similar products are found below :

[60KS200C](#) [D18V0L1B2LP-7B](#) [D5V0F4U5P5-7](#) [NTE4902](#) [P4KE27CA](#) [P6KE11CA](#) [P6KE8.2A](#) [SA60CA](#) [SA64CA](#) [SMBJ12CATR](#)
[SMBJ33CATR](#) [SMBJ6.5A](#) [SMBJ8.0A](#) [ESD101-B1-02ELS](#) [E6327](#) [ESD112-B1-02EL](#) [E6327](#) [ESD7451N2T5G](#) [19180-510](#) [CPDT-5V0USP-](#)
[HF](#) [3.0SMCJ33CA-F](#) [3.0SMCJ36A-F](#) [HSPC16701B02TP](#) [JANTX1N6126A](#) [D3V3Q1B2DLP3-7](#) [D55V0M1B2WS-7](#) [SCM1293A-04SO](#)
[ESD200-B1-CSP0201](#) [E6327](#) [SM12-7](#) [CEN955](#) [W/DATA](#) [VESD12A1A-HD1-GS08](#) [CPDQC5V0-HF](#) [D1213A-01LP4-7B](#) [ESD101-B1-02EL](#)
[E6327](#) [AOZ8808DI-03](#) [5KP15A](#) [5KP48A](#) [5KP90A](#) [ESD3V3D7-TP](#) [15KPA36A-LF](#) [P4KE56CA](#) [P4KE68A](#) [P4KE91CATR](#) [P6KE120A](#)
[P6KE13CA](#) [P6KE43CA](#) [P6KE6.8CA](#) [P6KE8.2](#) [P6SMBJ20CA](#) [JANTX1N6072A](#) [SR2835ESKG](#) [SA90CA](#)