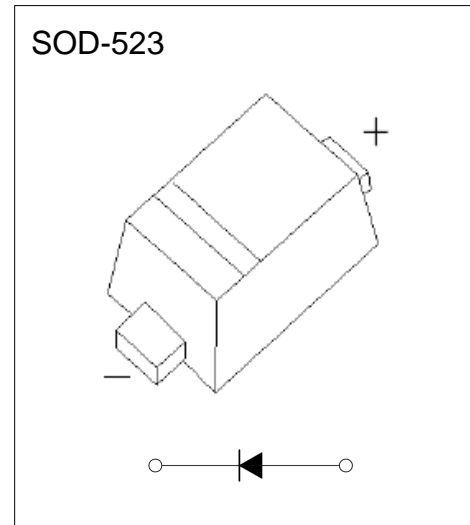


■ Features

- Small surface mounting type
- High Current Capability
- Low reverse current and low forward voltage
- High reliability

■ Mechanical Data

- package:SOD-523
- Polarity: Color band denotes cathode end
- Flammability rating of epoxy resin: UL 94V-0
- Mounting Position: Any



■ Ordering Information

| Part Number | Package | Marking | Packing | Quantity per reel | Reel Size |
|-------------|---------|---------|-------------|-------------------|-----------|
| RB521S30T1G | SOD-523 | C | Tape & Reel | 3,000 PCS | 7 inches |

■ Maximum Ratings & Thermal Characteristics(Ratings at 25 °C ambient temperature unless otherwise specified.)

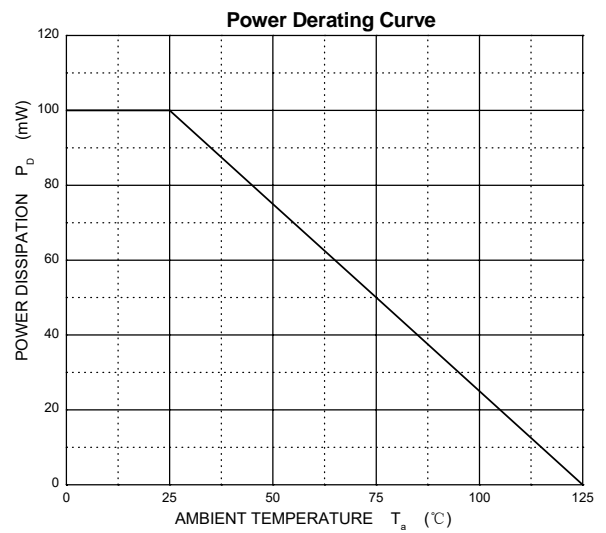
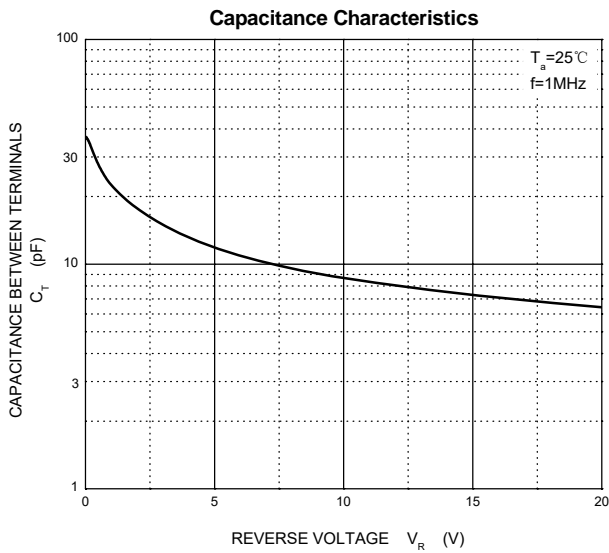
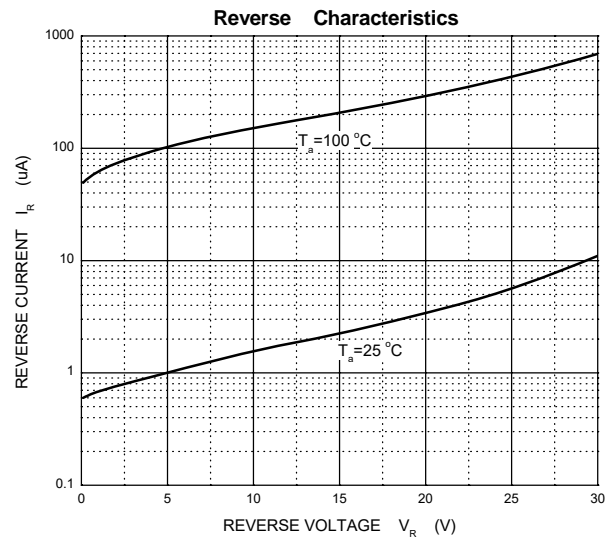
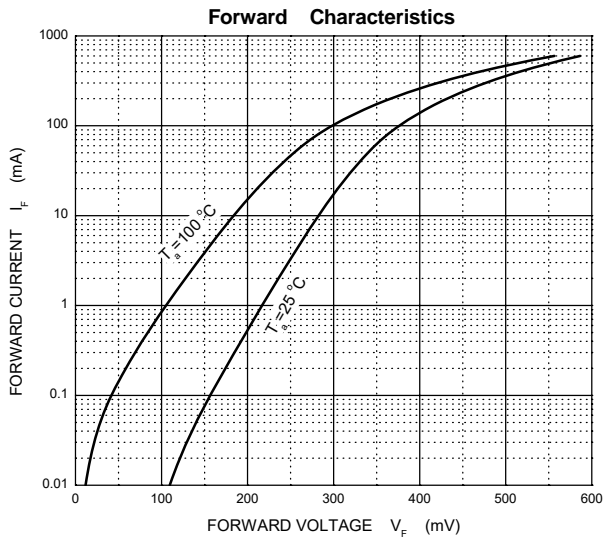
| Parameters | Symbol | Limit | Unit |
|---|--------|----------|------|
| Peak reverse voltage | VRM | 30 | V |
| DC reverse voltage | VR | 30 | V |
| Mean rectifying current | Io | 0.2 | A |
| Peak forward surge current 8.3 ms single half sine-wave | IFSM | 1.0 | A |
| Typical thermal resistance | RθJA | 667 | °C/W |
| Power Dissipation | PD | 150 | mW |
| Storage temperature range | TSTG | -50-+150 | °C |

■ Electrical Characteristics(Ratings at 25 °C ambient temperature unless otherwise specified)

| Parameters | Symbol | Test conditions | Min | Typ | Max | Unit |
|-----------------------------------|--------|-------------------------|-----|-----|--------------|------|
| Maximum forward voltage | VF | IF = 10mA IF = 200mA | | | 0.35 0.50 | V |
| Maximum reverse breakdown voltage | VR | IR=1mA | 30 | | | V |
| Maximum reverse current | IR | VR=10V | | | 30 | uA |

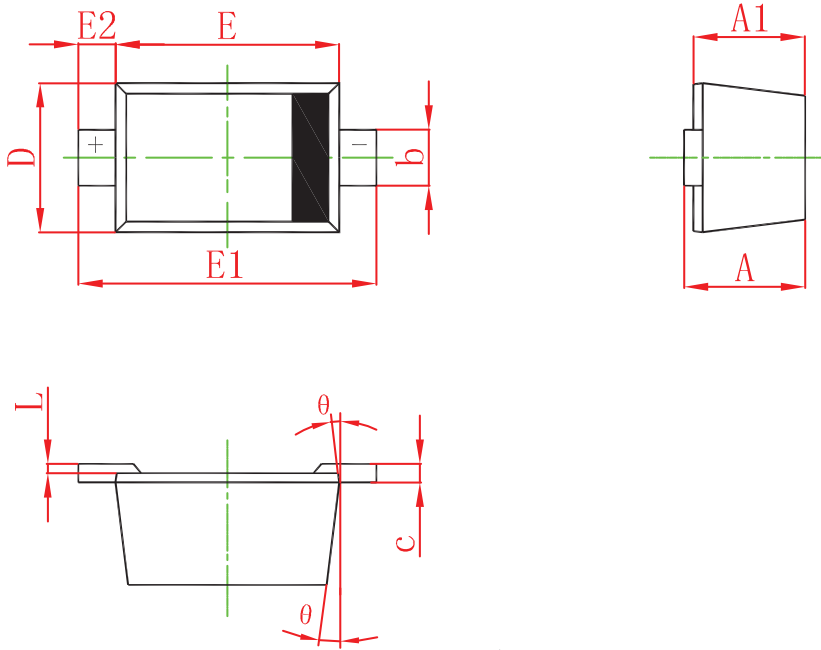


■ Typical Characteristics





■ SOD-523 Package Outline Dimensions



| Symbol | Dimensions In Millimeters | | Dimensions In Inches | |
|--------|---------------------------|-------|----------------------|-------|
| | Min | Max | Min | Max |
| A | 0.510 | 0.770 | 0.020 | 0.031 |
| A1 | 0.500 | 0.700 | 0.020 | 0.028 |
| b | 0.250 | 0.350 | 0.010 | 0.014 |
| c | 0.080 | 0.150 | 0.003 | 0.006 |
| D | 0.750 | 0.850 | 0.030 | 0.033 |
| E | 1.100 | 1.300 | 0.043 | 0.051 |
| E1 | 1.500 | 1.700 | 0.059 | 0.067 |
| E2 | 0.200 REF | | 0.008 REF | |
| L | 0.010 | 0.070 | 0.001 | 0.003 |
| θ | 7° REF | | 7° REF | |

X-ON Electronics

Largest Supplier of Electrical and Electronic Components

Click to view similar products for [Schottky Diodes & Rectifiers](#) category:

Click to view products by [DOWO](#) manufacturer:

Other Similar products are found below :

[MA4E2039](#) [MMBD301M3T5G](#) [HFA35HB60C](#) [RB160M-50TR](#) [D83C](#) [BAS16E6433HTMA1](#) [BAS 3010S-02LRH](#) [E6327](#) [BAT 54-02LRH](#)
[E6327](#) [NRVBAF360T3G](#) [NSR05F40QNXT5G](#) [NTE555](#) [JANS1N6640](#) [SS3003CH-TL-E](#) [GA01SHT18](#) [CRS10I30A\(TE85L,QM](#)
[MBRA140TRPBF](#) [MBRB30H30CT-1G](#) [BAT 15-04R](#) [E6152](#) [JANTX1N5712-1](#) [DMJ3940-000](#) [SB007-03C-TB-E](#) [NRVBB20100CTT4G](#)
[NRVBM120LT1G](#) [NTSB30U100CT-1G](#) [CRG04\(T5L,TEMQ\)](#) [ACDBA1100LR-HF](#) [ACDBA1200-HF](#) [ACDBA240-HF](#) [ACDBA3100-HF](#)
[CDBQC0530L-HF](#) [ACDBA260LR-HF](#) [ACDBA1100-HF](#) [10BQ015-M3/5BT](#) [NRVBM120ET1G](#) [VSSB410S-M3/5BT](#) [1N5819T-G](#)
[PDS1040Q-13](#) [B160BQ-13-F](#) [SDM05U20CSP-7](#) [BAS 70-07](#) [E6433](#) [B140S1F-7](#) [HSM560Je3/TR13](#) [DDB2265-000](#) [ZHCS506QTA](#)
[HSM190Je3/TR13](#) [B330AF-13](#) [ACDBUC0230-HF](#) [SDM1U100S1F-7](#) [MBR10200CTF-G1](#) [CDLL5712](#)