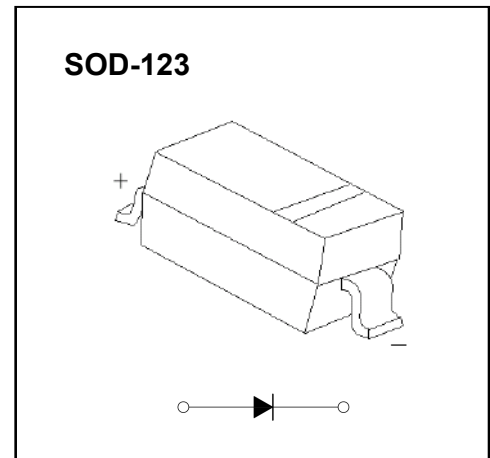


## ■ Features

- High Current Capability
- Low Forward Voltage Drop



## ■ Mechanical Data

- package:SOD-123
- Polarity: Color band denotes cathode end
- Flammability rating of epoxy resin: UL 94V-0
- Mounting Position: Any.

## ■ Ordering Information

Part Number	Package	Marking	Packing	Quantity per reel	Reel Size
SD103AW	SOD-123	S4	Tape & Reel	3,000 PCS	7 inches
SD103BW	SOD-123	S5	Tape & Reel	3,000 PCS	7 inches
SD103CW	SOD-123	S6	Tape & Reel	3,000 PCS	7 inches

## ■ Maximum Ratings & Thermal Characteristics(Ratings at 25℃ ambient temperature unless otherwise specified.)

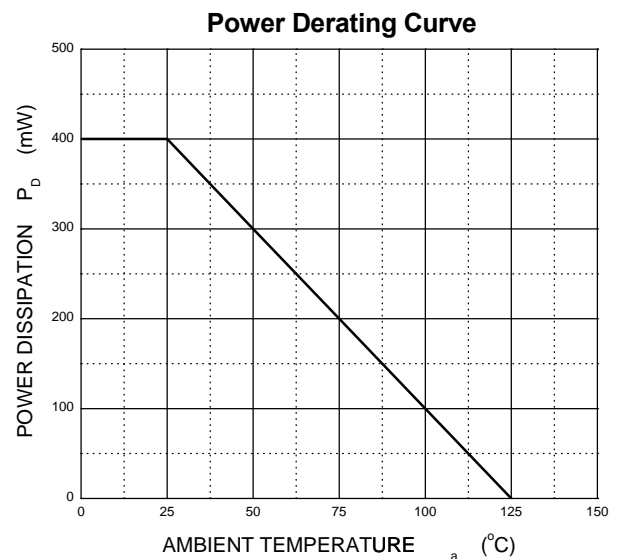
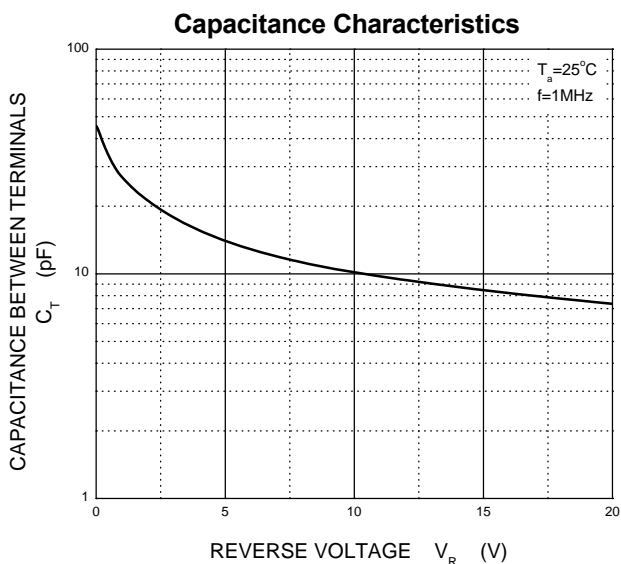
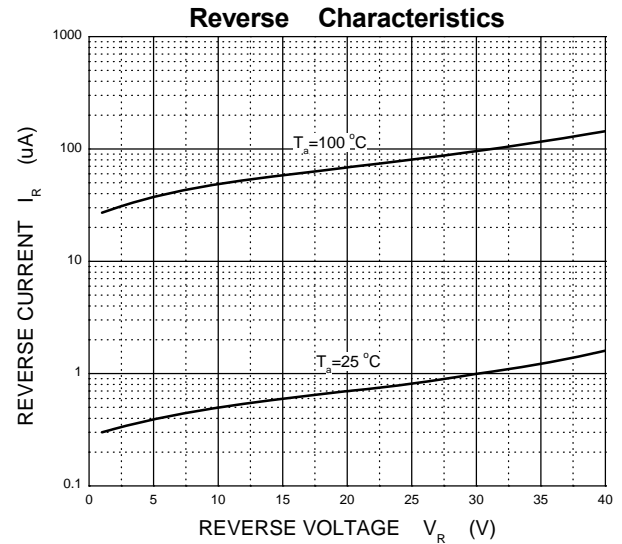
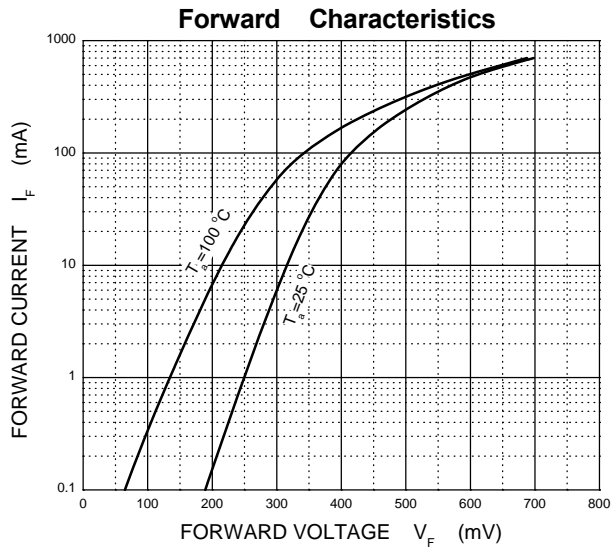
Parameters	Symbol	SD103AW	SD103BW	SD103CW	Unit
Maximum repetitive peak reverse voltage	VRRM	40	30	20	V
Maximum RMS voltage	VRMS	28	21	14	V
Maximum DC blocking voltage	VDC	40	30	20	V
Maximum average forward rectified current	IFM	350			mA
Peak forward surge current 8.3ms single half sine-wave	IFSM	2			A
Power Dissipation	PD	400			mW
Typical thermal resistance	RθJA	250			℃/W
Operating junction temperature	Tj	125			℃
Storage temperature range	TSTG	-50-+150			℃



■ Electrical Characteristics (Ratings at 25°C ambient temperature unless otherwise specified)

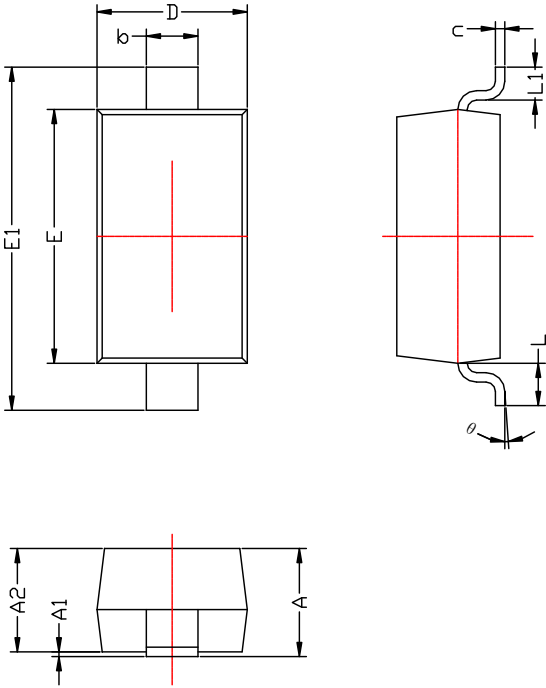
Parameters	Symbol	Test conditions	SD103AW	SD103BW	SD103CW	Unit
Maximum forward voltage	V <sub>F</sub>	I <sub>F</sub> = 20mA I <sub>F</sub> = 200mA	0.370 0.600			V
Maximum reverse breakdown voltage	V <sub>R</sub>	I <sub>R</sub> = 100uA	40	30	20	V
Maximum reverse current	I <sub>R</sub>	V <sub>R</sub> = 30V <b>SD103AW</b> V <sub>R</sub> = 20V <b>SD103BW</b> V <sub>R</sub> = 10V <b>SD103CW</b>	5.0			uA
Type junction capacitance	C <sub>j</sub>	V <sub>R</sub> = 0V, f = 1MHz	50			pF
Reverse recovery time	T <sub>rr</sub>	I <sub>F</sub> = I <sub>R</sub> = 200mA, I <sub>rr</sub> = 0.1 × I <sub>R</sub> , R <sub>L</sub> = 100 Ω	10			ns

■ Typical Characteristics





■ SOD-123 Package Outline Dimensions



Symbol	Dimensions	
	MIN	MAX
A	1.050	1.250
A1	0.000	0.100
A2	1.050	1.150
b	0.450	0.650
c	0.080	0.150
D	1.500	1.700
E	2.600	2.800
E1	3.550	3.850
L	0.500REF	
L1	0.250	0.450
θ	0°	8°

## X-ON Electronics

Largest Supplier of Electrical and Electronic Components

*Click to view similar products for [Schottky Diodes & Rectifiers](#) category:*

*Click to view products by [DOWO](#) manufacturer:*

Other Similar products are found below :

[MA4E2039](#) [MMBD301M3T5G](#) [RB160M-50TR](#) [D83C](#) [BAS16E6433HTMA1](#) [BAS 3010S-02LRH E6327](#) [BAT 54-02LRH E6327](#)  
[NRVBAF360T3G](#) [NSR05F40QNXT5G](#) [NTE555](#) [JANS1N6640](#) [SS3003CH-TL-E](#) [GA01SHT18](#) [CRS10I30A\(TE85L,QM](#) [MBRA140TRPBF](#)  
[MBRB30H30CT-1G](#) [BAT 15-04R E6152](#) [JANTX1N5712-1](#) [DMJ3940-000](#) [SB007-03C-TB-E](#) [NRVBB20100CTT4G](#) [NRVBM120LT1G](#)  
[NTSB30U100CT-1G](#) [CRG04\(T5L,TEMQ\)](#) [ACDBA1100LR-HF](#) [ACDBA1200-HF](#) [ACDBA240-HF](#) [ACDBA3100-HF](#) [CDBQC0530L-HF](#)  
[ACDBA260LR-HF](#) [ACDBA1100-HF](#) [10BQ015-M3/5BT](#) [NRVBM120ET1G](#) [VSSB410S-M3/5BT](#) [1N5819T-G](#) [PDS1040Q-13](#) [B160BQ-13-F](#)  
[SDM05U20CSP-7](#) [BAS 70-07 E6433](#) [B140S1F-7](#) [HSM560Je3/TR13](#) [DDB2265-000](#) [ZHCS506QTA](#) [HSM190Je3/TR13](#) [B330AF-13](#)  
[ACDBUC0230-HF](#) [SDM1U100S1F-7](#) [MBR10200CTF-G1](#) [CDLL5712](#) [DMF2822-000](#)