



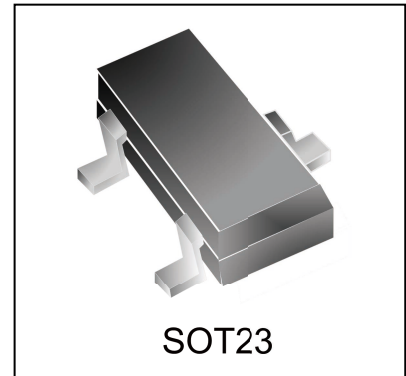
Transient Voltage Suppressor

Features

- 400 watts peak pulse power ($t_p = 8/20\mu s$)
- Protects two -7V to 12V lines
- Low capacitance
- Low clamping voltage
- Solid-state silicon avalanche technology

IEC COMPATIBILITY (EN61000-4)

- IEC 61000-4-2 (ESD) $\pm 15kV$ (air), $\pm 8kV$ (contact)
- IEC 61000-4-4 (EFT) 40A (5/50ns)
- IEC 61000-4-5 (Lightning) 12A (8/20 μs)



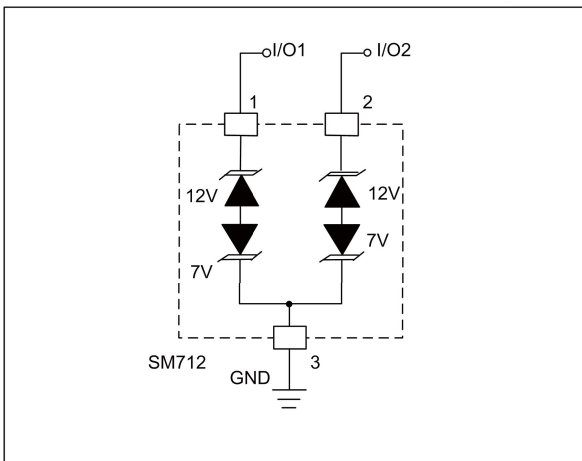
Mechanical Characteristics

- JEDEC SOT23 package
- Molding compound flammability rating: UL 94V-0
- Marking : Making Code
- Packaging : Tape and Reel per EIA 481

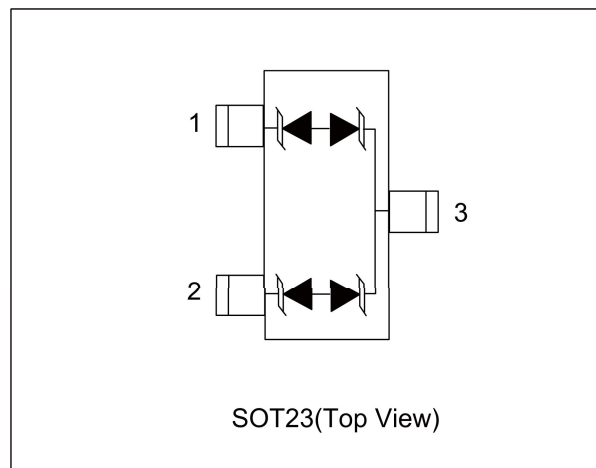
Applications

- Protection of RS-485 transceivers with extended common-mode range
- Security systems
- Automatic Teller Machines
- HFC systems
- Net works

Circuit Diagram



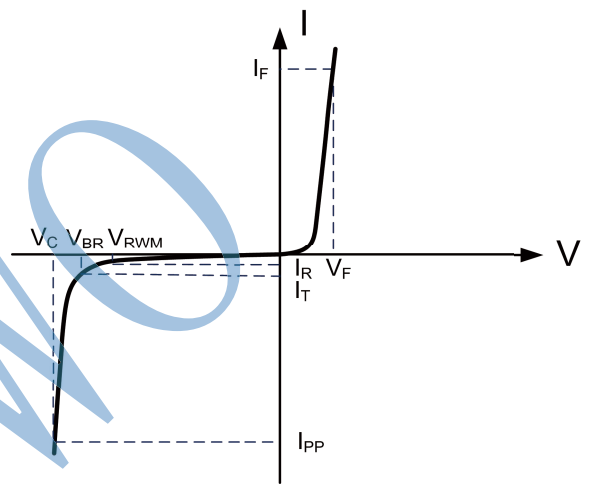
Schematic & PIN Configuration



Absolute Maximum Rating			
Rating	Symbol	Value	Units
Peak Pulse Power ($t_p = 8/20\mu s$)	P_{PP}	400	Watts
Lead Soldering Temperature	T_L	260(10 sec.)	$^{\circ}C$
Peak Pulse Current ($t_p = 8/20\mu s$)	I_{pp}	12	A
Operating Temperature	T_J	-55 to + 125	$^{\circ}C$
Storage Temperature	T_{STG}	-55 to +150	$^{\circ}C$

Electrical Parameters (T=25 $^{\circ}C$)

Symbol	Parameter
I_{PP}	Maximum Reverse Peak Pulse Current
V_C	Clamping Voltage @ I_{PP}
V_{RWM}	Working Peak Reverse Voltage
I_R	Maximum Reverse Leakage Current @
V_{BR}	Breakdown Voltage @ I_T
I_T	Test Current
I_F	Forward Current
V_F	Forward Voltage @ I_F



Electrical Characteristics

SM712									
			Pins 1 to 3 and 2 to 3 (12V TVS)			Pins 3 to 1 and 3 to 2(7V TVS)			
Parameter	Symbol	Conditions	MIN	TYP	MAX	MIN	TYP	MAX	Units
Reverse Stand-Off Voltage	V_{RWM}	Pin 3 to 1 or Pin 2 to 1			12			7	V
Reverse Breakdown Voltage	V_{BR}	$I_{PT} = 1mA$	13.3			7.5			V
Reverse Leakage Current	I_R	$V_R = V_{RWM}$			1			1	μA
Clamping Voltage	V_C	$I_{PP} = 5A$, $t_p = 8/20\mu s$			20			10	V
Clamping Voltage	V_C	$I_{PP} = 12A$, $t_p = 8/20\mu s$			26				V
Junction Capacitance	C_j	$V_R = 0V$, $f = 1MHz$			75			75	pF
		$V_R = V_{RWM}$, $f = 1MHz$		45			45		pF

Typical Characteristics

Figure 1 Non-Repetitive Peak Pulse Power vs. Pulse Time

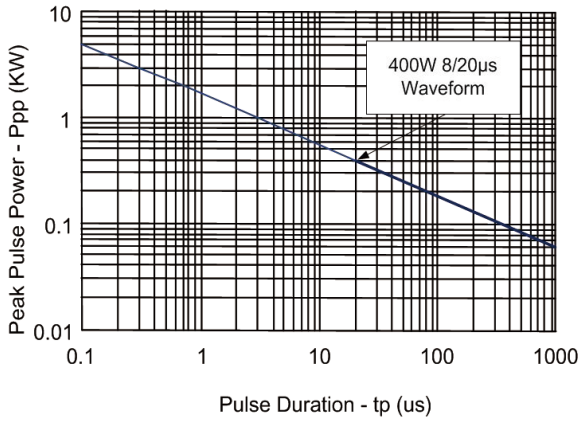


Figure 2 Power Derating curve

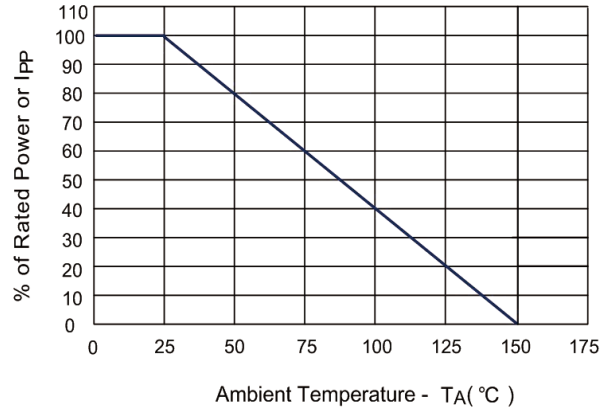


Figure 3 Pulse Waveform

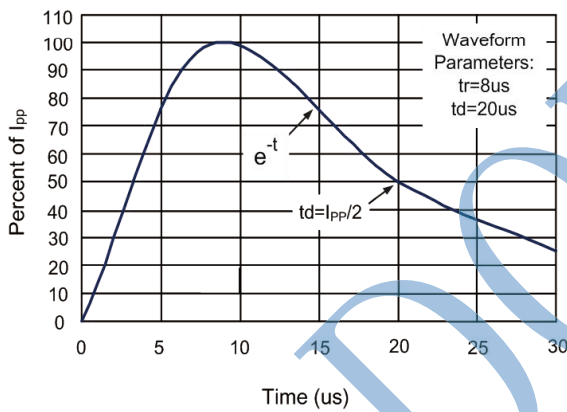


Figure 4 Clamping Voltage vs. Peak Pulse Current

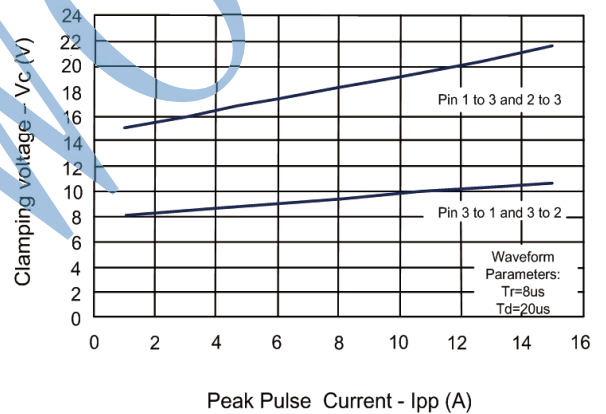
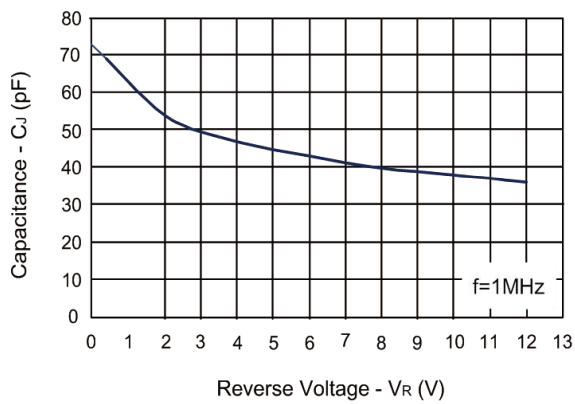


Figure 5 Capacitance vs. Reverse Voltage



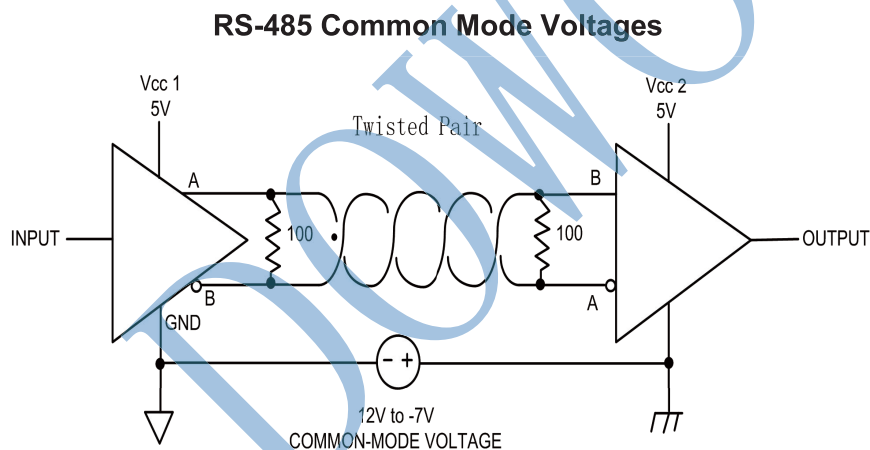
Application Information

Device Connection for Protection of Two RS-485 Data Lines

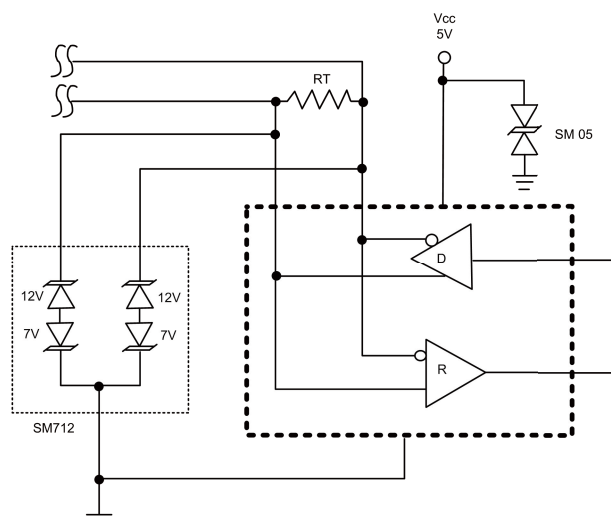
EIA RS-485 specifies a $\pm 7V$ ground difference between devices on the bus. This permits the bus voltage to range from +12V (5V + 7V) to -7V (0 - 7V).

The SM712 is designed to protect two RS-485 data lines in extended common mode applications. The SM712 may be used to protect devices from transient voltages resulting from ESD, EFT, and lightning. The device is designed with asymmetrical operating voltages for optimum protection. The TVS diodes at pins 1 and 2 have a working voltage of 12 volts. These pins are connected to the differential data line pairs. The TVS diodes at pin 3 have a working voltage of 7 volts. Pin 3 is connected to ground. The internal TVS diodes of the SM712 will protect the transceiver input from positive transient voltage spikes greater than 12V and Negative spikes greater than 7V.

A series current limiting resistor may be added in applications requiring enhanced surge immunity.



RS-485 Protection Circuit



Outline Drawing – SOT23

PACKAGE OUTLINE

SOT-23

SYMBOL	MILLIMETER		INCHES	
	MIN	MAX	MIN	MAX
A	0.90	1.15	0.035	0.045
A1	0.00	0.10	0.000	0.004
A2	0.60	0.70	0.0236	0.0275
D	2.80	3.00	0.110	0.118
E	2.25	2.55	0.089	0.100
E1	1.20	1.40	0.047	0.055
e	0.95 BSC		0.0374 BSC	
L	0.30	0.50	0.012	0.020
θ	0	8°	0	8°

DIMENSIONS		
DIM	INCHES	MILLIMETERS
M	0.0795	2.02
C	0.0315	0.80
Z	0.111	2.82
e	0.037 BSC	0.95 BSC
e1	0.075 BSC	1.9 BSC
b	0.0315	0.80

Notes

1. Dimensioning and tolerances per ANSI Y14.5M, 1985.
2. Controlling Dimension: Inches
3. Pin 3 is the cathode (Unidirectional Only).
4. Dimensions are exclusive of mold flash and metal burrs.

Marking Codes

Part Number	SM712
Marking Code	7AM

Package Information

Qty: 3k/Ree

X-ON Electronics

Largest Supplier of Electrical and Electronic Components

Click to view similar products for [ESD Suppressors / TVS Diodes](#) category:

Click to view products by [DOWO](#) manufacturer:

Other Similar products are found below :

[60KS200C](#) [D18V0L1B2LP-7B](#) [D5V0F4U5P5-7](#) [DESD5V0U1BB-7](#) [NTE4902](#) [P4KE27CA](#) [P6KE11CA](#) [P6KE39CA-TP](#) [P6KE8.2A](#)
[SA110CA](#) [SA60CA](#) [SA64CA](#) [SMBJ12CATR](#) [SMBJ33CATR](#) [SMBJ8.0A](#) [ESD101-B1-02ELS E6327](#) [ESD105-B1-02EL E6327](#) [ESD112-B1-02EL E6327](#) [ESD119B1W01005E6327XTSA1](#) [ESD5V0L1B02VH6327XTSA1](#) [ESD7451N2T5G](#) [19180-510](#) [CPDT-5V0USP-HF](#)
[3.0SMCJ33CA-F](#) [3.0SMCJ36A-F](#) [HSPC16701B02TP](#) [D3V3Q1B2DLP3-7](#) [D55V0M1B2WS-7](#) [DESD5V0U1BL-7B](#) [DRTR5V0U4SL-7](#)
[SCM1293A-04SO](#) [ESD200-B1-CSP0201 E6327](#) [SM12-7](#) [SMF8.0A-TP](#) [SMLJ45CA-TP](#) [CEN955 W/DATA](#) [82350120560](#) [VESD12A1A-](#)
[HD1-GS08](#) [CPDUR5V0R-HF](#) [CPDQC5V0U-HF](#) [CPDQC5V0USP-HF](#) [CPDQC5V0-HF](#) [D1213A-01LP4-7B](#) [D1213A-02WL-7](#)
[MMAD1108/TR13](#) [5KP100A](#) [5KP15A](#) [5KP18A](#) [5KP48A](#) [5KP90A](#)