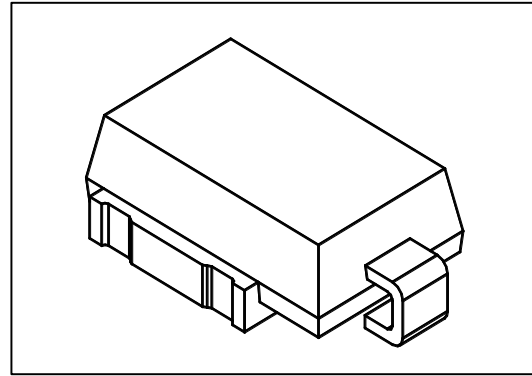


Working Voltage: 10 to 48 V
Peak Pulse Power: 6600 W

Automotive Protection Surface Mount Transient Voltage Suppressors

Features

- Optimized glass passivated chip
- $T_J = 175\text{ }^\circ\text{C}$ capability suitable for high reliability and automotive requirement
- 6600 W peak pulse power capability with a 10/1000 μs waveform, repetitive rate (duty cycle):0.01 %
- Meet ISO 7637-2 5a/5b and ISO 16750 load dump test (varied by test condition)
- AEC-Q101 qualified
- Low leakage current
- Low forward voltage drop
- Uni-directional polarity
- Excellent clamping capability
- Very fast response time
- RoHS compliant



DO-218AB

Mechanical Data

- Case: DO-218AB
- Molding compound: UL94V-0 flammability
- Polarity: Heatsink is anode

Maximum Ratings($T_A=25^\circ\text{C}$ unless otherwise noted)

Parameter	Symbol	Value	Unit
Peak power dissipation with a 10/1000 μs waveform ⁽¹⁾	P_{PP}	6600	W
Peak power dissipation with a 10/10,000 μs waveform	P_{PP}	5200	W
Peak pulse current with a 10/1000 μs waveform ⁽¹⁾	I_{PP}	See Next Table	A
Power dissipation on infinite heatsink at $T_L = 25\text{ }^\circ\text{C}$	P_D	8.0	W
Peak forward surge current 8.3 ms single half sine-wave	I_{FSM}	700	A
Operating junction and storage temperature range	T_J, T_{STG}	- 55 to +175	$^\circ\text{C}$

Note:

(1)Non-repetitive current pulse per Fig.2 and derated above $T_A = 25\text{ }^\circ\text{C}$ per Fig.1



Ratings and Characteristics Curves ($T_A=25^\circ\text{C}$ unless otherwise noted)

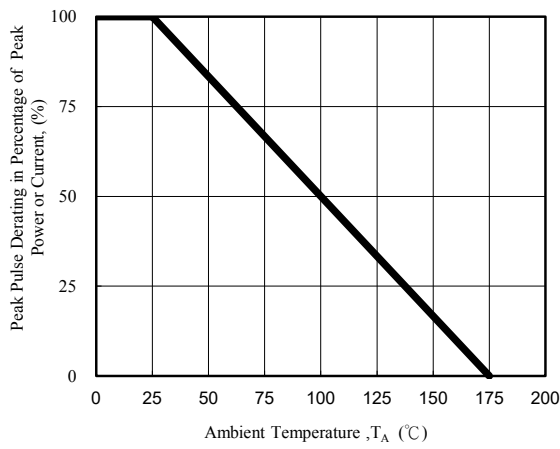


Fig. 1 - Pulse Derating Curve

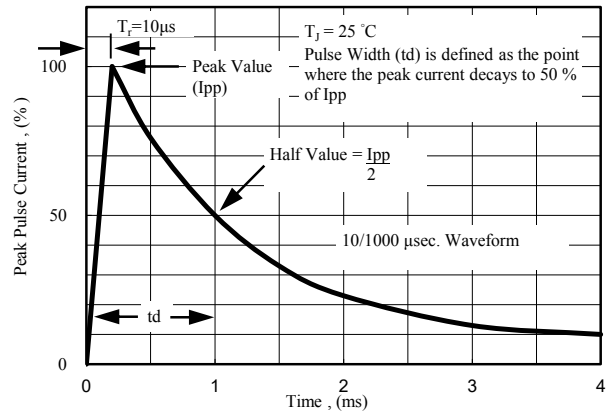


Fig. 2 - Pulse Waveform

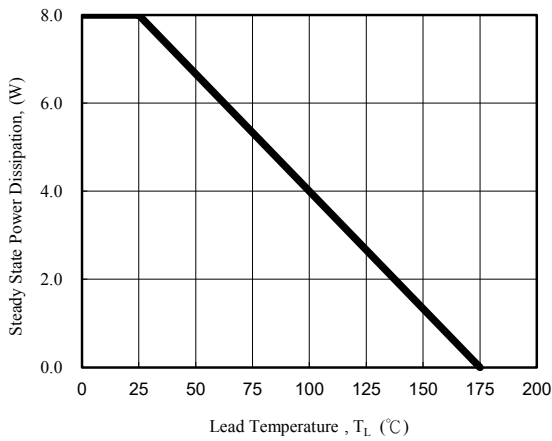


Fig. 3 - Steady State Power Derating Curve

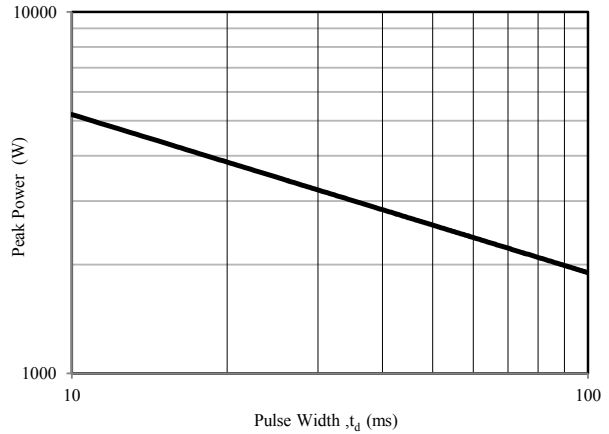
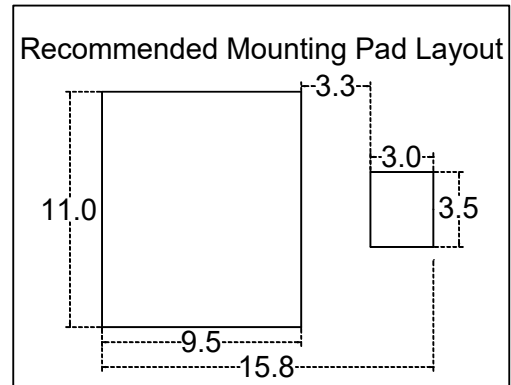
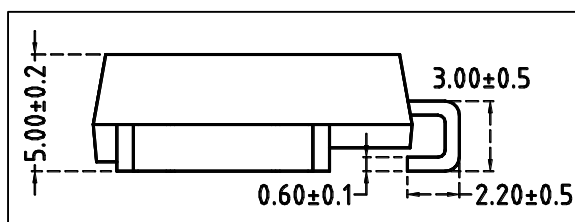
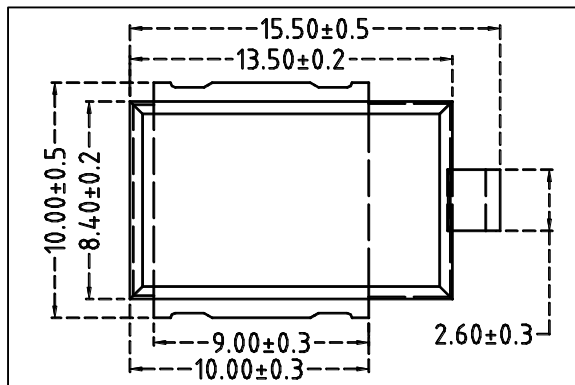


Fig. 4 - Peak Pulse Power Rating Curve

PACKAGE OUTLINE DIMENSIONS(millimeters)





Electrical Characteristics($T_A=25^{\circ}\text{C}$ unless otherwise noted)

Part Number (Uni)	Breakdown Voltage V_{BR} @ I_T			Maximum Reverse Leakage I_R @ V_{RWM} (uA)	Maximum I_R @ V_{RWM} $T_J=175$ (uA)	Working Peak Reverse Voltage V_{RWM} (V)	Maximum Reverse Surge Current I_{PP} (A) ⁽¹⁾	Maximum Clamping Voltage V_C @ I_{PP} (V)
	Min (V)	Max (V)	I_T (mA)					
SM8S10AHE3_A/I	11.1	12.3	5.0	15	250	10	388	17.0
SM8S11AHE3_A/I	12.2	13.5	5.0	10	150	11	363	18.2
SM8S12AHE3_A/I	13.3	14.7	5.0	10	150	12	332	19.9
SM8S13AHE3_A/I	14.4	15.9	5.0	10	150	13	307	21.5
SM8S14AHE3_A/I	15.6	17.2	5.0	10	150	14	284	23.2
SM8S15AHE3_A/I	16.7	18.5	5.0	10	150	15	270	24.4
SM8S16AHE3_A/I	17.8	19.7	5.0	10	150	16	254	26.0
SM8S17AHE3_A/I	18.9	20.9	5.0	10	150	17	239	27.6
SM8S18AHE3_A/I	20.0	22.1	5.0	10	150	18	226	29.2
SM8S20AHE3_A/I	22.2	24.5	5.0	10	150	20	204	32.4
SM8S22AHE3_A/I	24.4	26.9	5.0	10	150	22	186	35.5
SM8S24AHE3_A/I	26.7	29.5	5.0	10	150	24	170	38.9
SM8S26AHE3_A/I	28.9	31.9	5.0	10	150	26	157	42.1
SM8S28AHE3_A/I	31.1	34.4	5.0	10	150	28	145	45.4
SM8S30AHE3_A/I	33.3	36.8	5.0	10	150	30	136	48.4
SM8S33AHE3_A/I	36.7	40.6	5.0	10	150	33	124	53.3
SM8S36AHE3_A/I	40.0	44.2	5.0	10	150	36	114	58.1
SM8S40AHE3_A/I	44.4	49.1	5.0	10	150	40	102	64.5
SM8S43AHE3_A/I	47.8	52.8	5.0	10	150	43	95.1	69.4
SM8S48AHE3_A/I	53.3	58.9	5.0	10	150	48	85.2	77.4

NOTE:

1. Surge current waveform is defined at 10/1000uS waveform

X-ON Electronics

Largest Supplier of Electrical and Electronic Components

Click to view similar products for [ESD Suppressors / TVS Diodes](#) category:

Click to view products by [DOWO](#) manufacturer:

Other Similar products are found below :

[60KS200C](#) [D18V0L1B2LP-7B](#) [D5V0F4U5P5-7](#) [NTE4902](#) [P4KE27CA](#) [P6KE11CA](#) [P6KE8.2A](#) [SA60CA](#) [SA64CA](#) [SMBJ12CATR](#)
[SMBJ33CATR](#) [SMBJ6.5A](#) [SMBJ8.0A](#) [ESD101-B1-02ELS E6327](#) [ESD112-B1-02EL E6327](#) [ESD7451N2T5G](#) [19180-510](#) [CPDT-5V0USP-](#)
[HF](#) [3.0SMCJ33CA-F](#) [3.0SMCJ36A-F](#) [HSPC16701B02TP](#) [JANTX1N6126A](#) [D3V3Q1B2DLP3-7](#) [D55V0M1B2WS-7](#) [SCM1293A-04SO](#)
[ESD200-B1-CSP0201 E6327](#) [SM12-7](#) [CEN955 W/DATA](#) [VESD12A1A-HD1-GS08](#) [CPDQC5V0-HF](#) [D1213A-01LP4-7B](#) [ESD101-B1-02EL](#)
[E6327](#) [AOZ8808DI-03](#) [5KP15A](#) [5KP48A](#) [5KP90A](#) [ESD3V3D7-TP](#) [15KPA36A-LF](#) [P4KE56CA](#) [P4KE68A](#) [P4KE91CATR](#) [P6KE120A](#)
[P6KE13CA](#) [P6KE43CA](#) [P6KE6.8CA](#) [P6KE8.2](#) [P6SMBJ20CA](#) [JANTX1N6072A](#) [SR2835ESKG](#) [SA90CA](#)