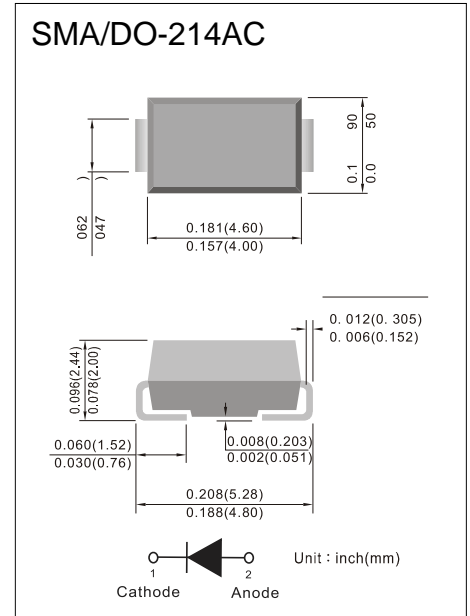


■ Features

- Glass passivated chip
- Built-in strain relief
- Low inductance
- High peak reverse power dissipation
- Low reverse leakage
- For use in stabilizing and clipping with high power rating
- Comply with RoHS standard, halogen-free

■ Mechanical Data

- package:SMA/DO-214AC
- Terminal: All external surfaces are corrosion resistant with readily solderable leads
- Polarity: Cathode line denotes the cathode end
- Epoxy: UL 94V-0 rate flame retardant
- Mounting Position : Any



■ Absolute Maximum Ratings($T_A=25^{\circ}\text{C}$ unless otherwise noted)

| PARAMETER | SYMBOL | VALUE | UNIT |
|---|------------------|-------------|--------------------|
| Forward voltage @ $I_F=200\text{mA}$ | V_F | 1.2 | V |
| Total power dissipation at $T_A=50^{\circ}\text{C}$, derate above $50^{\circ}\text{C}^{(1)}$ | P_{tot} | 1.25 | W |
| Total power dissipation at $T_A=75^{\circ}\text{C}$ | P_{tot} | 1 | W |
| Junction temperature | T_J | -55 to +150 | $^{\circ}\text{C}$ |
| Storage temperature | T_{STG} | -55 to +150 | $^{\circ}\text{C}$ |

Note: 1. Mounted on 5mm x 5mm Cu pad test board

■ Thermal Performance($T_A=25^{\circ}\text{C}$ unless otherwise noted)

| PARAMETER | SYMBOL | LIMIT | UNIT |
|--|-----------------|-------|----------------------|
| Junction-to-lead thermal resistance per diode | $R_{\theta JL}$ | 29 | $^{\circ}\text{C/W}$ |
| Junction-to-ambient thermal resistance per diode | $R_{\theta JA}$ | 120 | $^{\circ}\text{C/W}$ |
| Junction-to-case thermal resistance per diode | $R_{\theta JC}$ | 31 | $^{\circ}\text{C/W}$ |

Note: Units mounted on recommended PCB (5mm x 5mm Cu pad test board)

■ Electrical Specifications ($T_A=25^\circ\text{C}$ unless otherwise noted)

| Part Number | VZ@IZT | | | Maximum Zener Impedance | | | | Maximum Leakage Current | | Marking Code |
|-------------|--------|-------|-------|-------------------------|------|---------|------|-------------------------|------|--------------|
| | | | | ZZT@IZT | | ZZK@IZK | | IR@VR | | |
| | Nom.V | Min.V | Max.V | O | mA | O | mA | uA | V | |
| SMA4728A | 3.3 | 3.1 | 3.5 | 10.0 | 76.0 | 400 | 1.00 | 100 | 1.0 | 728A |
| SMA4729A | 3.6 | 3.4 | 3.8 | 10.0 | 69.0 | 400 | 1.00 | 100 | 1.0 | 729A |
| SMA4730A | 3.9 | 3.7 | 4.1 | 9.0 | 64.0 | 400 | 1.00 | 50 | 1.0 | 730A |
| SMA4731A | 4.3 | 4.1 | 4.5 | 9.0 | 58.0 | 400 | 1.00 | 10 | 1.0 | 731A |
| SMA4732A | 4.7 | 4.5 | 4.9 | 8.0 | 53.0 | 500 | 1.00 | 10 | 1.0 | 732A |
| SMA4733A | 5.1 | 4.8 | 5.4 | 7.0 | 49.0 | 550 | 1.00 | 10 | 1.0 | 733A |
| SMA4734A | 5.6 | 5.3 | 5.9 | 5.0 | 45.0 | 600 | 1.00 | 10 | 2.0 | 734A |
| SMA4735A | 6.2 | 5.9 | 6.5 | 2.0 | 41.0 | 700 | 1.00 | 10 | 3.0 | 735A |
| SMA4736A | 6.8 | 6.5 | 7.1 | 3.5 | 37.0 | 700 | 1.00 | 10 | 4.0 | 736A |
| SMA4737A | 7.5 | 7.1 | 7.9 | 4.0 | 34.0 | 700 | 0.50 | 10 | 5.0 | 737A |
| SMA4738A | 8.2 | 7.8 | 8.6 | 4.5 | 31.0 | 700 | 0.50 | 10 | 6.0 | 738A |
| SMA4739A | 9.1 | 8.6 | 9.6 | 5.0 | 28.0 | 700 | 0.50 | 10 | 7.0 | 739A |
| SMA4740A | 10 | 9.5 | 10.5 | 7.0 | 25.0 | 700 | 0.25 | 10 | 7.6 | 740A |
| SMA4741A | 11 | 10.5 | 11.6 | 8.0 | 23.0 | 700 | 0.25 | 0.1 | 8.4 | 741A |
| SMA4742A | 12 | 11.4 | 12.6 | 9.0 | 21.0 | 700 | 0.25 | 0.1 | 9.1 | 742A |
| SMA4743A | 13 | 12.4 | 13.7 | 10.0 | 19.0 | 700 | 0.25 | 0.1 | 9.9 | 743A |
| SMA4744A | 15 | 14.3 | 15.8 | 14.0 | 17.0 | 700 | 0.25 | 0.1 | 11.4 | 744A |
| SMA4745A | 16 | 15.2 | 16.8 | 16.0 | 15.5 | 700 | 0.25 | 0.1 | 12.2 | 745A |
| SMA4746A | 18 | 17.1 | 18.9 | 20.0 | 14.0 | 750 | 0.25 | 0.1 | 13.7 | 746A |
| SMA4747A | 20 | 19.0 | 21.0 | 22.0 | 12.5 | 750 | 0.25 | 0.1 | 15.2 | 747A |
| SMA4748A | 22 | 20.9 | 23.1 | 23.0 | 11.5 | 750 | 0.25 | 0.1 | 16.7 | 748A |
| SMA4749A | 24 | 22.8 | 25.2 | 25.0 | 10.5 | 750 | 0.25 | 0.1 | 18.2 | 749A |
| SMA4750A | 27 | 25.7 | 28.4 | 35.0 | 9.5 | 750 | 0.25 | 0.1 | 20.6 | 750A |
| SMA4751A | 30 | 28.5 | 31.5 | 40.0 | 8.5 | 1000 | 0.25 | 0.1 | 22.8 | 751A |
| SMA4752A | 33 | 31.4 | 34.7 | 45.0 | 7.5 | 1000 | 0.25 | 0.1 | 25.1 | 752A |
| SMA4753A | 36 | 34.2 | 37.8 | 50.0 | 7.0 | 1000 | 0.25 | 0.1 | 27.4 | 753A |
| SMA4754A | 39 | 37.1 | 41 | 60.0 | 6.5 | 1000 | 0.25 | 0.1 | 29.7 | 754A |
| SMA4755A | 43 | 40.9 | 45.2 | 70.0 | 6.0 | 1500 | 0.25 | 0.1 | 32.7 | 755A |
| SMA4756A | 47 | 44.7 | 49.4 | 80.0 | 5.5 | 1500 | 0.25 | 0.1 | 35.8 | 756A |
| SMA4757A | 51 | 48.5 | 53.6 | 95.0 | 5.0 | 1500 | 0.25 | 0.1 | 38.8 | 757A |
| SMA4758A | 56 | 53.2 | 58.8 | 110 | 4.5 | 2000 | 0.25 | 0.1 | 42.6 | 758A |
| SMA4759A | 62 | 58.9 | 65.1 | 125 | 4.0 | 2000 | 0.25 | 0.1 | 47.1 | 759A |
| SMA4760A | 68 | 64.6 | 71.4 | 150 | 3.7 | 2000 | 0.25 | 0.1 | 51.7 | 760A |
| SMA4761A | 75 | 71.3 | 78.8 | 175 | 3.3 | 2000 | 0.25 | 0.1 | 56.0 | 761A |
| SMA4762A | 82 | 77.9 | 86.1 | 200 | 3.0 | 3000 | 0.25 | 0.1 | 62.2 | 762A |
| SMA4763A | 91 | 86.5 | 95.6 | 250 | 2.8 | 3000 | 0.25 | 0.1 | 69.2 | 763A |
| SMA4764A | 100 | 95.0 | 105 | 350 | 2.5 | 3000 | 0.25 | 0.1 | 76.0 | 764A |

Notes: Suffix " A " indicates $\pm 10\%$ tolerance, suffix " B " indicates $\pm 5.0\%$ tolerance.

When the model suffix is "A", the product screen printing suffix is "A",

When the model suffix is "B", the product screen printing suffix is "B".



■ Characteristics Curves($T_A=25^\circ\text{C}$ unless otherwise noted)

Fig.1 Steady State Power Derating

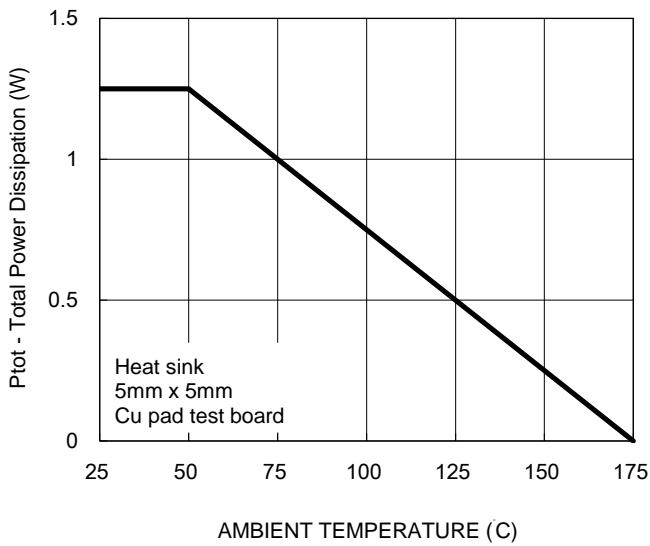


Fig.2 Typical Junction Capacitance

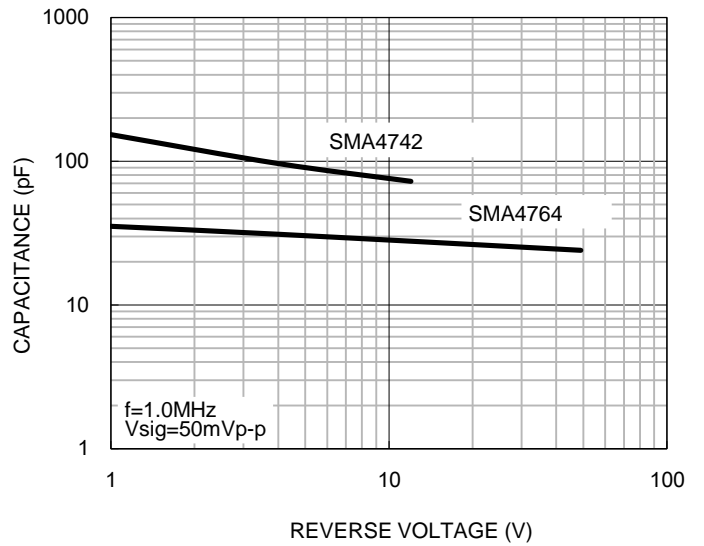
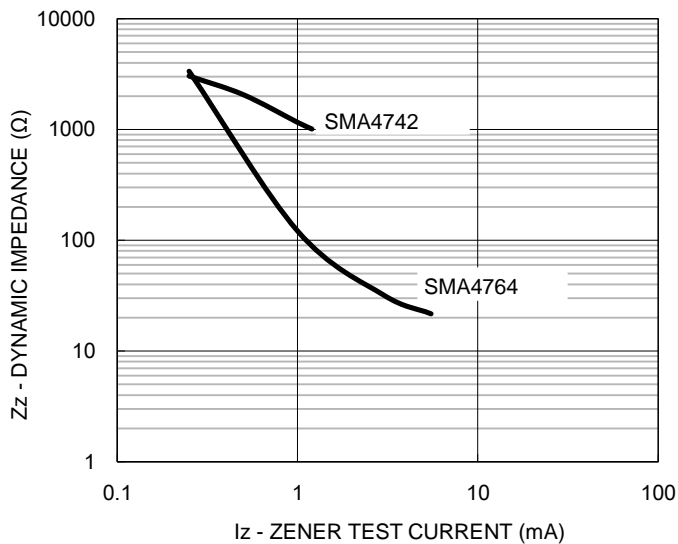


Fig.3 Typical Zener Impedance



X-ON Electronics

Largest Supplier of Electrical and Electronic Components

Click to view similar products for [Zener Diodes](#) category:

Click to view products by [DOWO](#) manufacturer:

Other Similar products are found below :

[RKZ13B2KG#P1](#) [DL5234B](#) [1N4682](#) [1N4693](#) [1N4732A](#) [1N4736A](#) [1N4750A](#) [1N4759ARL](#) [1N5241B](#) [1N5365B](#) [1N5369B](#) [1N747A](#)
[1N964B](#) [1N966B](#) [1N968B](#) [1N972B](#) [JANS1N4974US](#) [1N4692](#) [1N4702](#) [1N4704](#) [1N4711](#) [1N4714](#) [1N4745ARL](#) [1N4752ARL](#) [1N4760ARL](#)
[1N5221B](#) [1N5242BTR](#) [1N5350B](#) [1N5352B](#) [1N961BRR1](#) [1N964BRL](#) [RKZ5.1BKU#P6](#) [3SMAJ5946B-TP](#) [3SMAJ5950B-TP](#)
[MMSZ5230BQ-13-F](#) [MMSZ5232BQ-13-F](#) [BZX84C7V5](#) [3SMAJ5945B-TP](#) [3SMAJ5947B-TP](#) [3SMBJ5941B-TP](#) [DZ2S240M0L](#) [SMAZ27-](#)
[TP](#) [ZMM5224B-7](#) [RD16UM-T1-A](#) [RD39S-T1-A](#) [RD10S-T1-A](#) [CDZT2R5.6B](#) [1N4762A G](#) [Z1SMA18](#) [JANTX1N4553B](#)