

## ■ Features

- Low power losses, high efficiency
- Low forward voltage drop, low reverse current
- Compliant with RoHS requirements, lead-free, halogen-free
- Meets MSL level 1, per J-STD-020, LF maximum peak of 260 °C

## ■ MECHANICAL DATA

- Package: SOD-323HE
- Terminals: Tin plated leads, solderable per
- Polarity: Cathode line denotes the cathode end

## ■ APPLICATIONS

- DC/DC converters
- Freewheeling
- low voltage high frequency inverters
- polarity protection applications

## ■ ABSOLUTE MAXIMUM RATINGS ( $T_a=25^{\circ}\text{C}$ )

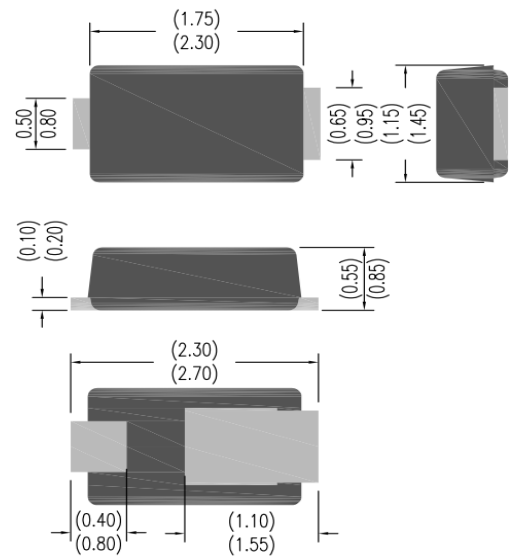
PARAMETER	SYMBOL	LIMITS	UNIT
Maximum Repetitive Peak Reverse Voltage	$V_{RRM}$	60	V
Maximum Average Rectified Forward Current	$I_O$	1.0	A
Peak Forward Surge Current (Half Sine Wave , 1 cycle , non-repetitive )	$I_{FSM}$	22	A
Operating Junction Temperature Range	$T_{JW}$	-40 to +150	°C
Storage Temperature Range	$T_{STG}$	-40 to +150	°C

## ■ ELECTRICAL CHARACTERISTICS ( $T_a=25^{\circ}\text{C}$ )

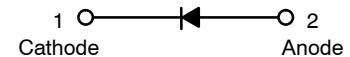
PARAMETER	SYMBOL	TEST CONDITIONS	MIN.	TYP.	MAX.	UNITS
Forward Voltage	$V_{F1}$	$I_F=0.1\text{A}$	-	0.38	0.43	V
	$V_{F2}$	$I_F=0.7\text{A}$	-	0.55	0.58	V
	$V_{F3}$	$I_F=1.0\text{A}$	-	0.63	0.68	V
Reverse Current	$I_{R1}$	$V_R=5\text{V}$	-	0.3	-	$\mu\text{A}$
	$I_{R2}$	$V_R=60\text{V}$	-	3	100	$\mu\text{A}$
Thermal Resistance (Note)	$R_{\theta JA}$	Junction to Ambient	-	-	220	°C/W
	$R_{\theta JL}$	Junction to Lead	-	-	50	°C/W

Note : Mounted on P.C Board with (15mmx50mm) copper pad areas.

## SOD-323HE



unit: inch (mm)



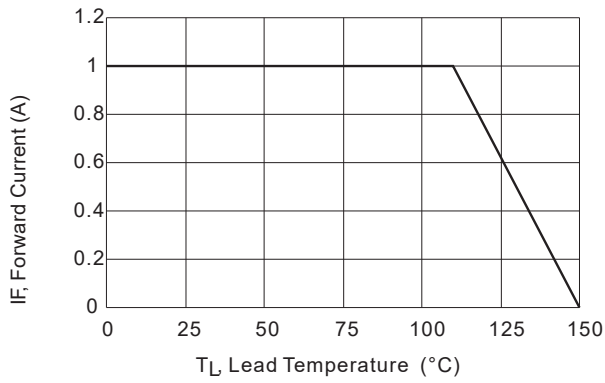


Fig.1 Forward Current Derating Curve

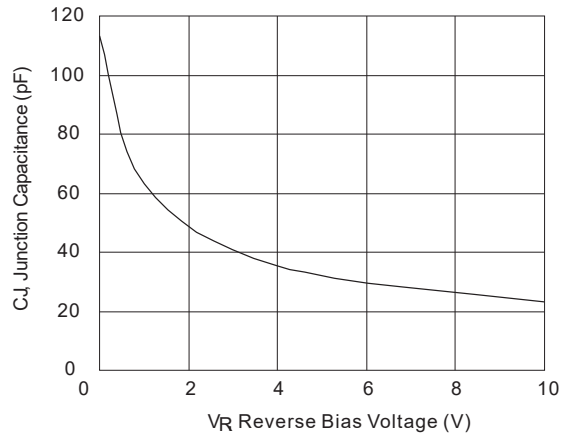


Fig.2 Typical Junction Capacitance

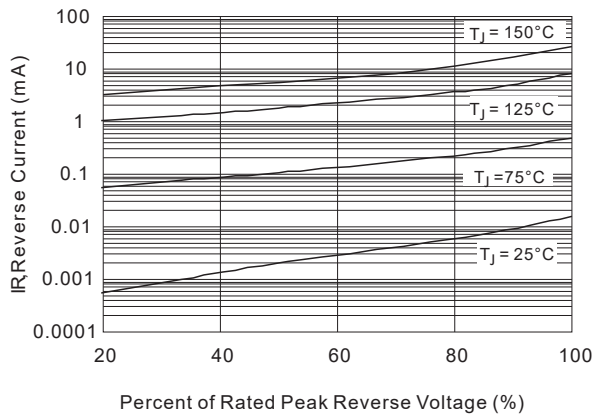


Fig.3 Typical Reverse Characteristics

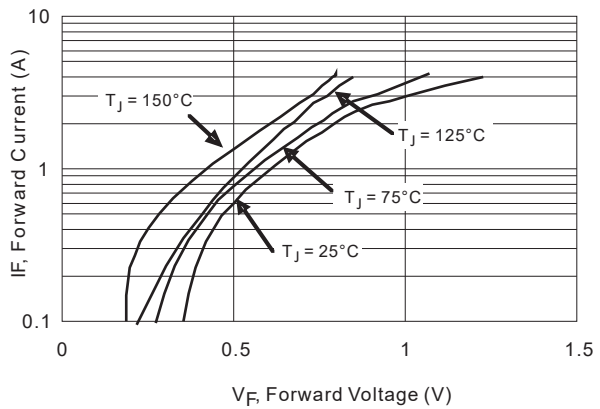


Fig.4 Typical Forward Characteristics

## X-ON Electronics

Largest Supplier of Electrical and Electronic Components

*Click to view similar products for [Schottky Diodes & Rectifiers](#) category:*

*Click to view products by [DOWO](#) manufacturer:*

Other Similar products are found below :

[MA4E2039](#) [MMBD301M3T5G](#) [RB160M-50TR](#) [D83C](#) [BAS16E6433HTMA1](#) [BAS 3010S-02LRH E6327](#) [BAT 54-02LRH E6327](#)  
[NRVBAF360T3G](#) [NSR05F40QNXT5G](#) [NTE555](#) [JANS1N6640](#) [SS3003CH-TL-E](#) [GA01SHT18](#) [CRS10I30A\(TE85L,QM](#) [MBRA140TRPBF](#)  
[MBRB30H30CT-1G](#) [BAT 15-04R E6152](#) [JANTX1N5712-1](#) [DMJ3940-000](#) [SB007-03C-TB-E](#) [NRVBB20100CTT4G](#) [NRVBM120LT1G](#)  
[NTSB30U100CT-1G](#) [CRG04\(T5L,TEMQ\)](#) [ACDBA1100LR-HF](#) [ACDBA1200-HF](#) [ACDBA240-HF](#) [ACDBA3100-HF](#) [CDBQC0530L-HF](#)  
[ACDBA260LR-HF](#) [ACDBA1100-HF](#) [10BQ015-M3/5BT](#) [NRVBM120ET1G](#) [VSSB410S-M3/5BT](#) [1N5819T-G](#) [PDS1040Q-13](#) [B160BQ-13-F](#)  
[SDM05U20CSP-7](#) [BAS 70-07 E6433](#) [B140S1F-7](#) [HSM560Je3/TR13](#) [DDB2265-000](#) [ZHCS506QTA](#) [HSM190Je3/TR13](#) [B330AF-13](#)  
[ACDBUC0230-HF](#) [SDM1U100S1F-7](#) [MBR10200CTF-G1](#) [CDLL5712](#) [DMF2822-000](#)