

spacer bolt

[Polyamide with brass thread]

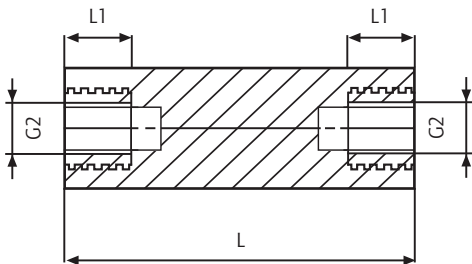
up to
width across
flats
10 mm



Standard range - spacer bolts

[Plastic (Polyamide), hexagon with brass thread]

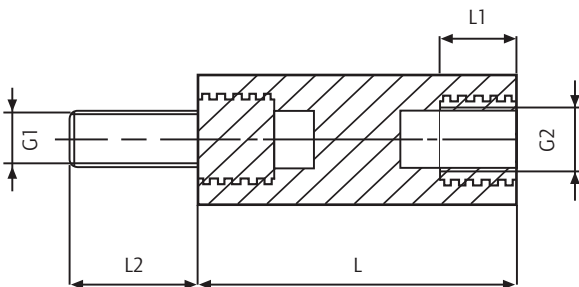
EXECUTION DII [Internal / internal thread]



Order No.	SW* (hexagon)	Thread	Lengths (L) in mm increments
1182 x (length)	SW6	M2.5	15-65
1183 x	SW6	M3	15-65
1186 x	SW8	M4	15-65
1188 x	SW10	M5	15-70

Order No.	SW* (hexagon)	Thread	Lengths (L) in mm increments
1182 x (length)	SW6	M2.5	15-65
1183 x	SW6	M3	15-65
1186 x	SW8	M4	15-65
1188 x	SW10	M5	15-70

EXECUTION DIA [Internal / external thread]



Order No.	SW* (hexagon)	Thread	Lengths (L) in mm increments
2182 x (length)	SW6	M2.5	15-65
2183 x	SW6	M3	15-65
2186 x	SW8	M4	15-65
2188 x	SW10	M5	15-70

Order No.	SW* (hexagon)	Thread	Lengths (L) in mm increments
2182 x (length)	SW6	M2.5	15-65
2183 x	SW6	M3	15-65
2186 x	SW8	M4	15-65
2188 x	SW10	M5	15-70

*SW: width across flats

Ordering example: 2188 x 45 = DIA / MS Polyamide / SW10 / M5 x 45



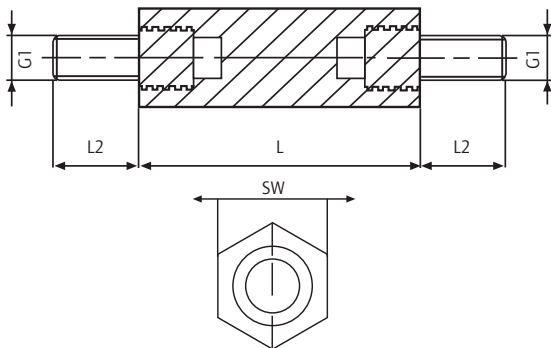
- Body material: Polyamide 6.6 white
- Thread inserts: Nickel-plated brass
- Temperature resistance: up to 110°C
- Fire class: UL 94-V2
- Contact resistance: 10^{12} Ohm/cm
- Dielectric strength: 50kV/mm
- Tolerance for length dimensions: ± 0.1 mm

- **Available from stock. Delivery times for intermediate lengths and special versions upon request.**

- **Note:** The pull-out strength and torques may vary depending on application and ambient influences (e.g. temperature, air humidity, etc.). For critical applications please carry out trials. DREMEC GmbH does not assume any liability for the specified strength values.



EXECUTION DAA [External / external thread]



Order No.	SW* (hexagon)	Thread	Lengths (L) in mm increments
4182 x (length)	SW6	M2.5	15-65
4183 x	SW6	M3	15-65
4186 x	SW8	M4	15-65
4188 x	SW10	M5	15-70

Strength/resistance values

Thread lengths [mm]

G1=G2	L1	L2
M2.5	6	6
M3	6	6
M4	6	8
M5	6	10

Torques [Nm]

SW6	M2.5	1.3
SW6	M3	1.3
SW8	M4	3.0
SW10	M5	4.5

Pull-out torques [N]

SW6	M2.5	300
SW6	M3	300
SW8	M4	600
SW10	M5	800

spacer bolt

[Polyamide with brass thread]



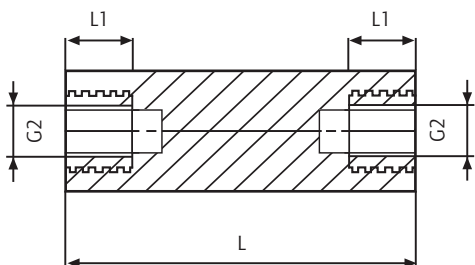
from
width across
flats
13 mm



Standard range - spacer bolts

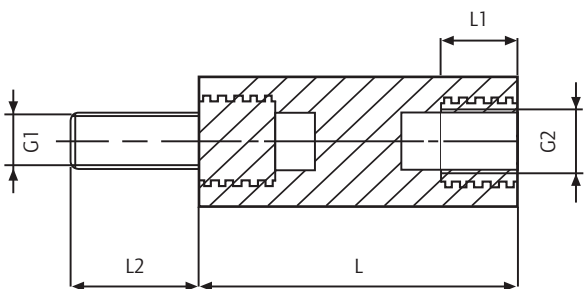
[Plastic (Polyamide), hexagon with brass thread]

EXECUTION DII [Internal / internal thread]



Order No.	SW* (hexagon)	Thread	Lengths (L) in mm increments
118139 x (length)	SW13	M6	25-100
1181510 x	SW15	M8	25-100

EXECUTION DIA [Internal / external thread]



Order No.	SW* (hexagon)	Thread	Lengths (L) in mm increments
218139 x (length)	SW13	M6	25-100
2181510 x	SW15	M8	25-100

*SW: width across flats



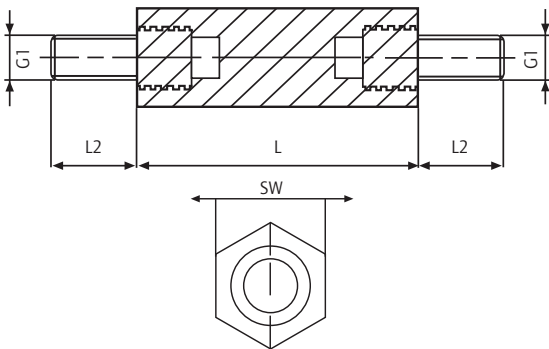
- Body material: Polyamide 6.6 natural
- Thread inserts: Bare brass
- Temperature resistance: up to 110°C
- Fire class: UL 94-V2
- Contact resistance: 10¹² Ohm/cm
- Dielectric strength: 50kV/mm
- Tolerance for length dimensions: +/- 0.2 mm

- Available from stock. Delivery times for intermediate lengths and special versions upon request.

- Note: The pull-out strength and torques may vary depending on application and ambient influences (e.g. temperature, air humidity, etc.). For critical applications please carry out trials. DREMEC GmbH does not assume any liability for the specified strength values.



EXECUTION DAA [External / external thread]



Order No.	SW* (hexagon)	Thread	Lengths (L) in mm increments
418139 x (length)	SW13	M6	25-100
4181510 x	SW15	M8	25-100



Strength/resistance values



Thread lengths [mm]

G1=G2	L1	L2
M6	11	12
M8	11	14



Torques [Nm]

SW13	M6	12.0
SW15	M8	18.0



Pull-out torques [N]

SW13	M6	1000
SW15	M8	1600



X-ON Electronics

Largest Supplier of Electrical and Electronic Components

Click to view similar products for [Standoffs & Spacers](#) category:

Click to view products by [Dremec](#) manufacturer:

Other Similar products are found below :

[M0513-3-N](#) [M0516-3-N](#) [M0517-3-N](#) [M0518-3-N](#) [M0521-3-N](#) [M0524-3-N](#) [M0532-35-AL](#) [M0532-35-N](#) [M0543-4-AL](#) [M0544-35-N](#) [M0544-3-N](#) [M0545-3-AL](#) [M0553-3-N](#) [M0564-4-N](#) [M0608-5-SS](#) [M0609-5-SS](#) [M0610-35-AL](#) [M0613-3-N](#) [M0651-5-SS](#) [M0653-35-N](#) [M0654-4-SS](#) [M0655-5-AL](#) [M0655-5-N](#) [M0660-4-AL](#) [M0660-4-N](#) [M0670-35-N](#) [M0671-5-N](#) [M0671-5-SS](#) [M0722-5-N](#) [M0725-6-N](#) [M0731-4-N](#) [M0904-B-25-AL](#) [M1273-2545-AL](#) [M1273-3005-AL](#) [M1303-3506-AL](#) [M1307-3506-AL](#) [M1313-3005-N](#) [M1313-4007-AL](#) [M1314-3005-AL](#) [M1314-3005-SS](#) [M1315-3005-SS](#) [M1315-4007-N](#) [M1317-3506-AL](#) [M1317-4007-SS](#) [M1318-3005-SS](#) [M1320-3005-AL](#) [M1320-3005-N](#) [M1321-3005-SS](#) [M1321-4007-AL](#) [M1322-4007-N](#)