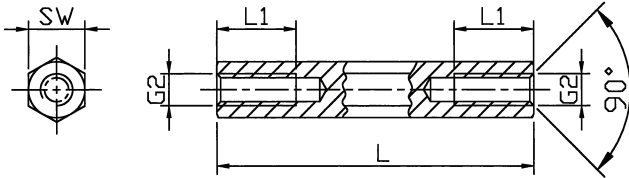


# Support Post (Metric)

## Spacer Bolts DII

[ Polyamide, metric thread ]



Thread lengths [mm]

Thread G2	L (mm)	L1 (mm)
M2/M2.5	to 14	Dead-end thread
	15-20	half length
	from 21	10
M3	to 15	Dead-end thread
	16-20	half length
	from 21	10
M4/M5/M6	to 20	Dead-end thread
	from 21	10



### Spacer bolts

Type	hexagonal
Styles	internal / internal
Material	Polyamide 6.0 GV / DMS 825
Colour	black
Standard Pack	from 100 pcs

Contact resistance DIN 53 482:  $>10^{12}$  Ohm/cm

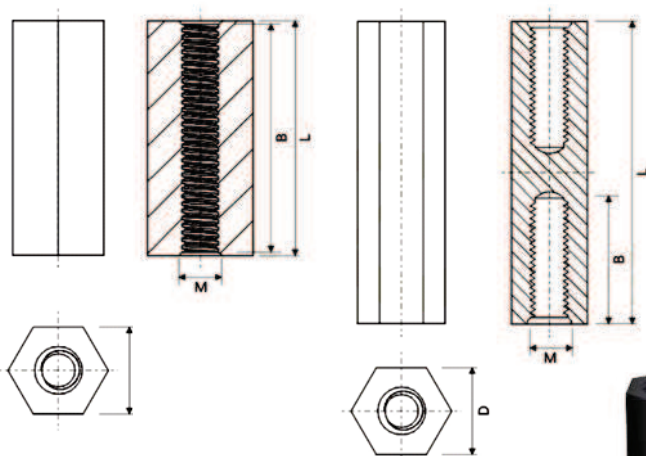
Dielectric strength DIN 54 481: 40 kV/mm

Tolerance for length dimensions: +/- 0,1 mm

Order No.	SW (hexagonal)	Thread	Standard lengths in mm-increments
181 x (length)	SW 5	M2	from 5 mm to 45 mm
182 x	SW 5	M2,5	from 4 mm to 55 mm
185 x	SW 6	M3	from 5 mm to 65 mm
187 x	SW 8	M4	from 5 mm to 68 mm
188 x	SW 10	M5	from 5 mm to 65 mm
189 x	SW 10	M6	from 4 mm to 65 mm

SW: width across flats  
GV: Glass fibre reinforced

[ Polyamide, metric thread ]



"B" unilateral = 10 mm  
"L" < 20 mm = Perforation  
"L" > 20 mm = Blind hole



### Spacer bolts

Type	thread / thread
Styles	internal / internal
Material	Nylon 6 glass filled HB / DMS 817
Colour	black / natural
Unit	mm
Standard Pack	1.000 pcs

Standard Lengths "L" in 1 mm increments available

Order No.	Colour	"B"	"D"	"L"	"M"
8G512M2x5.0	B	N	5.0	5.0	M2
8G512M2x10.0	B	N	10.0	5.0	M2
8G512M2x13.0	B	N	13.0	5.0	M2
8G512M2.5x20.0	B	N	20.0	5.0	M2.5
8G512M3x10.0	B	N	10.0	6.0	M3
8G512M3x24.0	B	N	10.0	6.0	M3
8G512M4x16.0	B	N	16.0	8.0	M4
8G512M4x20.0	B	N	20.0	8.0	M4

Ordering example: 8G512M2x5.0B for black  
8G512M2x5.0N for natural

## **X-ON Electronics**

Largest Supplier of Electrical and Electronic Components

*Click to view similar products for [Standoffs & Spacers](#) category:*

*Click to view products by [Dremec](#) manufacturer:*

Other Similar products are found below :

[588-6208-02](#) [M0513-25-N](#) [M0609-5-SS](#) [M0655-5-AL](#) [M0655-5-N](#) [M0659-4-AL](#) [M0660-4-N](#) [M0671-5-N](#) [M0671-5-SS](#) [M0725-6-N](#)  
[M0731-4-N](#) [M1273-3005-AL](#) [60273](#) [60335-SP](#) [60348-SP](#) [60489-SP](#) [60762-SP](#) [60763-SP](#) [M1313-3005-N](#) [M1314-3005-AL](#) [M1314-3005-SS](#)  
[M1314-3506-N](#) [M1315-4007-N](#) [M1316-3005-N](#) [M1317-3506-SS](#) [M1318-3005-SS](#) [M1320-3005-AL](#) [M1321-3005-SS](#) [M1322-4007-N](#)  
[M1326-3005-AL](#) [M1577-B-4007-B](#) [M2122-2545-SS](#) [M2140-3005-N](#) [M2143-4007-N](#) [M2145-4007-N](#) [M2148-3005-N](#) [M2157-4007-N](#)  
[M2162-3506-SS](#) [M2162-4007-N](#) [M2162-4007-SS](#) [632A-9206-17](#) [634A-5005-19](#) [634A-7204-17](#) [636A-7108-17](#) [642A-9416-17](#) [647A-5013-17](#) [660A-2606-17](#) [660A-2606-19](#) [699A-9823-17](#) [699A-9858-17](#)