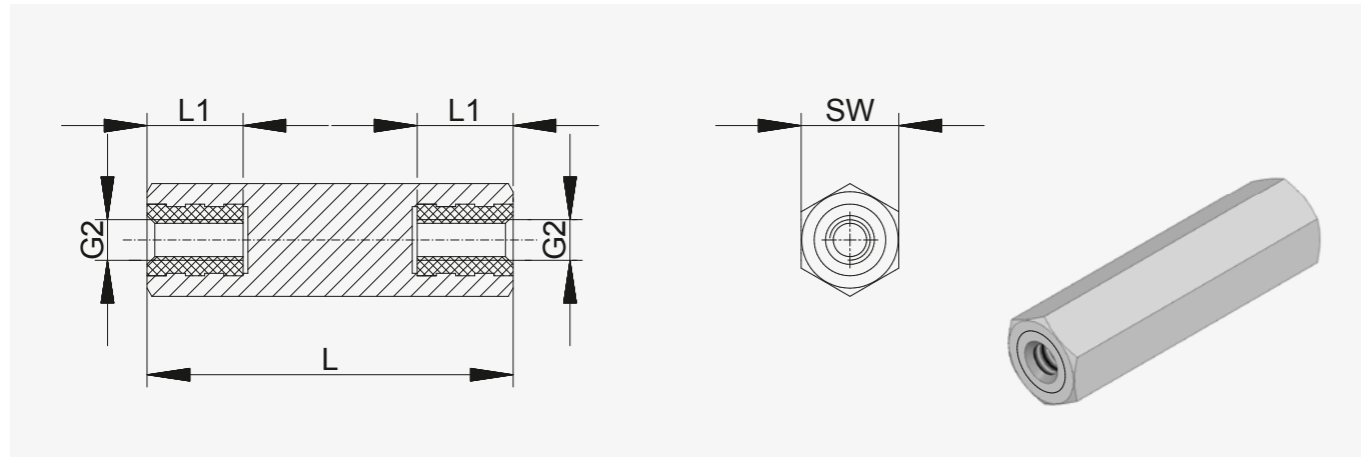


# Spacer bolts with metric threads

Polyamide with brass thread



## Spacer bolts

<b>Type</b>	hexagonal
<b>Design</b>	internal / internal
<b>Material Body</b>	polyamid 6.6
<b>Material Thread</b>	brass CuZn39Pb3, uncoated
<b>Colour</b>	nature
<b>MOQ</b>	100 pcs

## Strength / resistance values

Thread lengths [mm]		Torques [Nm]			Pull-out force [N]		
G2	L1	SW13	M6	12.0	SW13	M6	1000
M6	10	SW15	M8	18.0	SW15	M8	1600
M8	11						

Contact resistance: ~ 10<sup>12</sup> Ohm / cm  
 Dielectric strength: 50 kV / mm  
 Tolerance for length dimensions: +/- 0.2 mm

Order number	Hexagonal size (SW)	Thread (G2)	Standard lengths in mm (L)
118139 x (length)	SW13	M6	25-100
1181510 x	SW15	M8	25-100

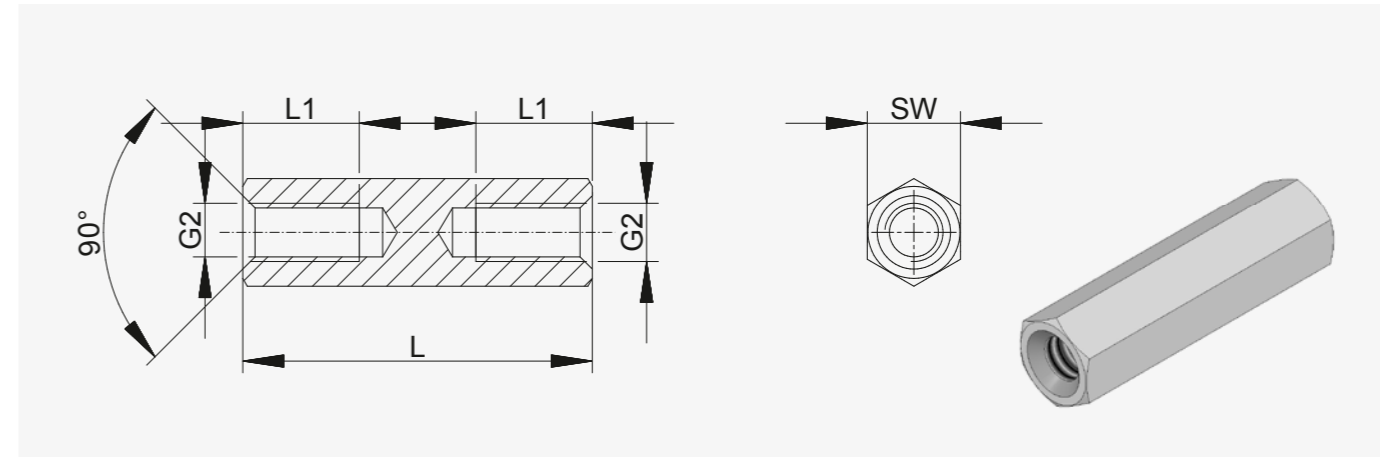
Order sample: 1181510 x 30 = DII / brass-polyamide / SW15 / M8 x 30

**Attention:** The pull-out force and torques values may vary depending on application and ambient influences (for example temperature, air humidity, etc.). Additional tests are to be performed on critical components. DREMEC Befestigungselemente GmbH shall assume no liability for strength / resistance values.



# Spacer bolts with metric threads

Polyamide



## Spacer bolts

<b>Type</b>	hexagonal
<b>Design</b>	internal / internal
<b>Material</b>	polyamide 6.0 GV*
<b>Colour</b>	black
<b>MOQ</b>	100 pcs

## Thread lengths [mm]

Thread G2	L (mm)	L1 (mm)
M2 / M2.5	up to 14	Full-length thread
	15-20	half the length
M3	from 21	10
	up to 15	Full-length thread
M4 / M5 / M6	16-20	half the length
	from 21	10
M4 / M5 / M6	up to 20	Full-length thread
	from 21	10

Contact resistance DIN 53 482: ~ 10<sup>12</sup> Ohm / cm  
 Dielectric strength DIN 54 481: 40 kV / mm  
 Tolerance for length dimensions: +/- 0.1 mm

Order number	Hexagonal size (SW)	Thread (G2)	Standard lengths in mm (L)
181 x (length)	SW5	M2	from 5 mm to 45 mm
182 x	SW5	M2.5	from 4 mm to 55 mm
185 x	SW6	M3	from 5 mm to 65 mm
187 x	SW8	M4	from 5 mm to 68 mm
188 x	SW10	M5	from 5 mm to 65 mm
189 x	SW10	M6	from 4 mm to 65 mm

\*GV: glass fiber reinforced

Order sample: 185 x 30 = DII / polyamide / SW6 / M3 x 30



## X-ON Electronics

Largest Supplier of Electrical and Electronic Components

*Click to view similar products for [Standoffs & Spacers](#) category:*

*Click to view products by [Dremec](#) manufacturer:*

Other Similar products are found below :

[588-6208-02](#) [M0516-3-N](#) [M0518-3-N](#) [M0521-3-N](#) [M0524-3-N](#) [M0532-35-N](#) [M0543-4-AL](#) [M0544-35-N](#) [M0544-3-N](#) [M0545-3-AL](#) [M0553-3-N](#) [M0608-5-SS](#) [M0609-5-SS](#) [M0651-5-SS](#) [M0653-35-N](#) [M0654-4-SS](#) [M0655-5-AL](#) [M0658-35-AL](#) [M0660-4-AL](#) [M0660-4-N](#) [M0670-35-N](#) [M0671-5-N](#) [M0671-5-SS](#) [M0722-5-N](#) [M0725-6-N](#) [M0904-B-25-AL](#) [M1273-2545-AL](#) [M1273-2545-SS](#) [M1273-3005-AL](#) [M1273-3005-SS](#) [M1274-3005-AL](#) [60187](#) [60202-SP](#) [60273](#) [60335-SP](#) [60348-SP](#) [60419-SP](#) [60425-SP](#) [60473-SP](#) [60475-SP](#) [60477-SP](#) [60489-SP](#) [60491-SP](#) [60585-SP](#) [60762-SP](#) [60763-SP](#) [60872-SP](#) [M1303-3506-AL](#) [M1307-3506-AL](#) [M1314-3005-AL](#)