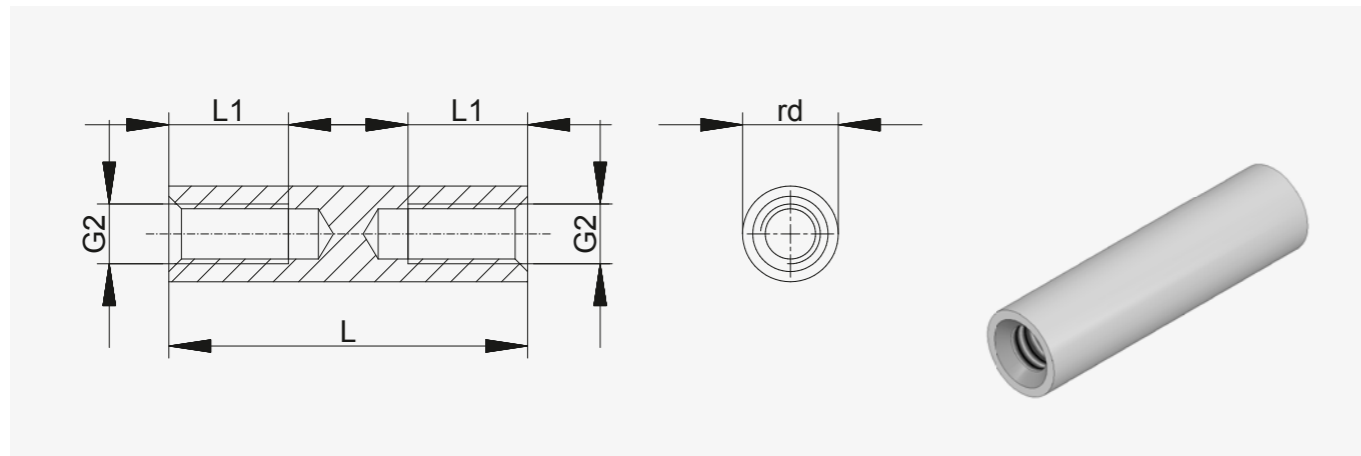


Spacer bolts with metric threads

Polyamide



Spacer bolts

- Type** round
Design internal / internal
Material polyamide 6.0 GV*
Colour black
MOQ 100 pcs

Thread lengths [mm]

Thread G2	L (mm)	L1 (mm)
M2 / M2.5	up to 14	Full-length thread
	15-20	half the length
	from 21	10
M3	up to 15	Full-length thread
	16-20	half the length
	from 21	10
M4 / M5	up to 20	Full-length thread
	from 21	10

Contact resistance DIN 53 482: ~ 10¹² Ohm / cm
 Dielectric strength DIN 54 481: 40 kV / mm
 Tolerance for length dimensions: +/- 0.1 mm

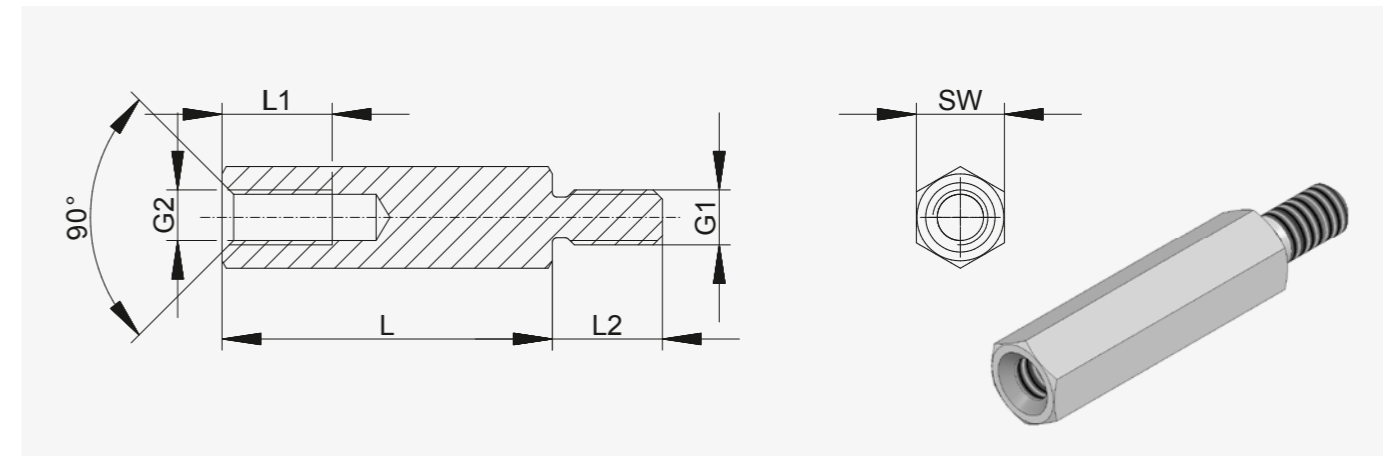
Order number	Diameter (mm) (rd)	Thread (G2)	Standard lengths in mm (L)
181 rd x (length)	4	M2	from 5 mm to 45 mm
182 rd x	5	M2.5	from 4 mm to 55 mm
185 rd x	6	M3	from 5 mm to 60 mm
187 rd x	8	M4	from 5 mm to 65 mm

*GV: glass fiber reinforced
Order sample: 185rd x 30 = DI1 / polyamide / rd6 / M3 x 30



Spacer bolts with metric threads

Brass



Spacer bolts

- Type** hexagonal
Design internal / external with undercut DIN 76-B (optional without undercut)
Material brass CuZn39Pb3
Colour nickel-plated (optional uncoated)
MOQ 100 pcs

Internal thread lengths [mm]

L	L1 with M2	L1 with M2.5 to M5	L1 with M6	L1 with M8
5	3	3		
6	4	4		
8	5	5		
10	6	6	6	
12	6	7	7	
15	6	10	10	10
18	6	10	10	10
from 20	6	10	12	14

External thread lengths [mm]

G1	L2
M2	5
M2.5	6
M3	6*, 8
M4	8
M5	8
M6	10
M8	14

* see page 6

Minimum tensile strength: 430 N / mm²
 Tolerance for length dimensions: +/- 0.1 mm

Order number	Hexagonal size (SW)	Thread (G1/G2)	Standard lengths in mm (L)																														
			05	06	08	10	12	15	18	20	25	30	35	40	45	50																	
211 x (length)	SW4	M2																															
2112 x	SW4	M2.5																															
212 x	SW5	M2.5																							55	60							
213 x	SW5	M3																							55	60							
214 x	SW5.5	M3																						55	60	65	70						
215 x	SW6	M3																						55	60	65	70	75	80	85	90	95	100
216 x	SW7	M4																						55	60	65	70	75	80	85	90	95	100
218 x	SW8	M5							08	10	12	15	18	20	25	30	35	40	45	50	55	60	65	70	75	80	85	90	95	100			
219 x	SW10	M6							10	12	15	18	20	25	30	35	40	45	50	55	60	65	70	75	80	85	90	95	100				
2113 x	SW13	M8								15				20	25	30	35	40	45	50	55	60	65	70	75	80	85	90	95	100			

Order sample: 211 x 10 = DIA / brass / SW4 / M2 x 10



X-ON Electronics

Largest Supplier of Electrical and Electronic Components

Click to view similar products for [Standoffs & Spacers](#) category:

Click to view products by [Dremec](#) manufacturer:

Other Similar products are found below :

[588-6208-02](#) [599-9844-02](#) [M0516-3-N](#) [M0518-3-N](#) [M0521-3-N](#) [M0524-3-N](#) [M0532-35-N](#) [M0543-4-AL](#) [M0544-35-N](#) [M0544-3-N](#) [M0545-3-AL](#) [M0553-3-N](#) [M0608-5-SS](#) [M0609-5-SS](#) [M0651-5-SS](#) [M0653-35-N](#) [M0654-4-SS](#) [M0655-5-AL](#) [M0658-35-AL](#) [M0660-4-AL](#) [M0660-4-N](#) [M0670-35-N](#) [M0671-5-N](#) [M0671-5-SS](#) [M0722-5-N](#) [M0725-6-N](#) [M0904-B-25-AL](#) [M1273-2545-AL](#) [M1273-2545-SS](#) [M1273-3005-AL](#) [M1273-3005-SS](#) [M1274-3005-AL](#) [60187](#) [60202-SP](#) [60273](#) [60335-SP](#) [60348-SP](#) [60419-SP](#) [60425-SP](#) [60473-SP](#) [60475-SP](#) [60477-SP](#) [60489-SP](#) [60491-SP](#) [60585-SP](#) [60762-SP](#) [60763-SP](#) [60872-SP](#) [M1303-3506-AL](#) [M1307-3506-AL](#)