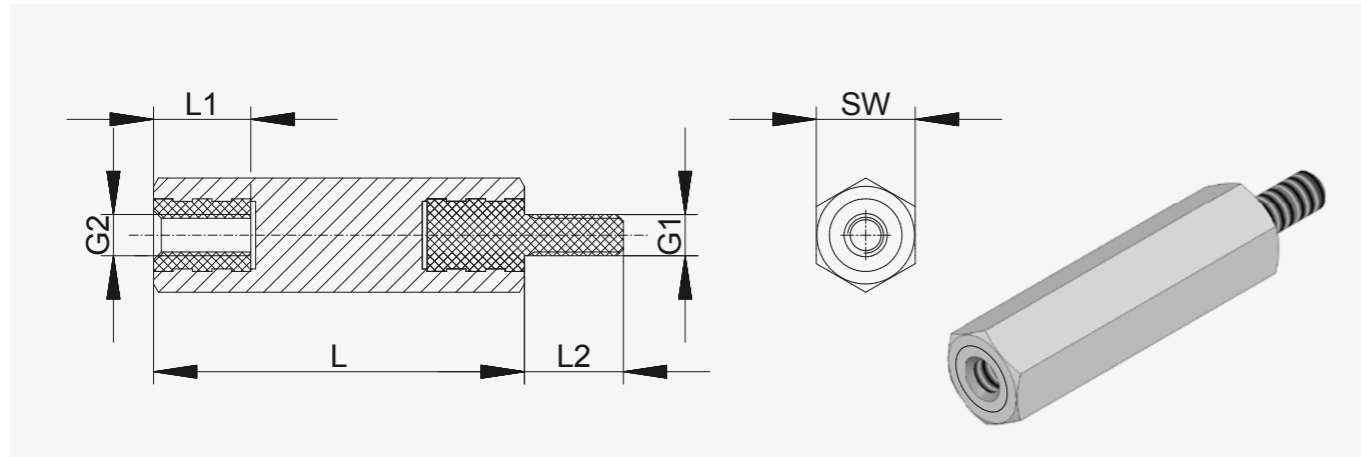


Spacer bolts with metric threads

Polyamide with brass threads



Spacer bolts

Type	hexagonal
Design	internal / external without undercut
Material body	polyamide 6.6
Material threads	brass CuZn39Pb3, uncoated
Colour	white / black
MOQ	100 pcs

Strength / resistance values

Thread lengths [mm]			Torques [Nm]			Pull-out force [N]		
G1=G2	L1	L2	SW6	M2.5	1.3	SW6	M2.5	300
M2.5	6	6	SW6	M3	1.3	SW6	M3	300
M3	6	8	SW8	M4	3.0	SW8	M4	600
M4	6	8	SW10	M5	4.5	SW10	M5	800
M5	6	10						

Contact resistance: ~ 10¹² Ohm / cm
 Dielectric strength: 50 kV / mm
 Tolerance for length dimensions: +/- 0.2 mm

Order number	Hexagonal size (SW)	Thread (G1/G2)	Standard lengths in mm (L)
2182 x (length)	SW6	M2.5	15-65
2183 x	SW6	M3	15-65
2186 x	SW8	M4	15-65
2188 x	SW10	M5	15-70

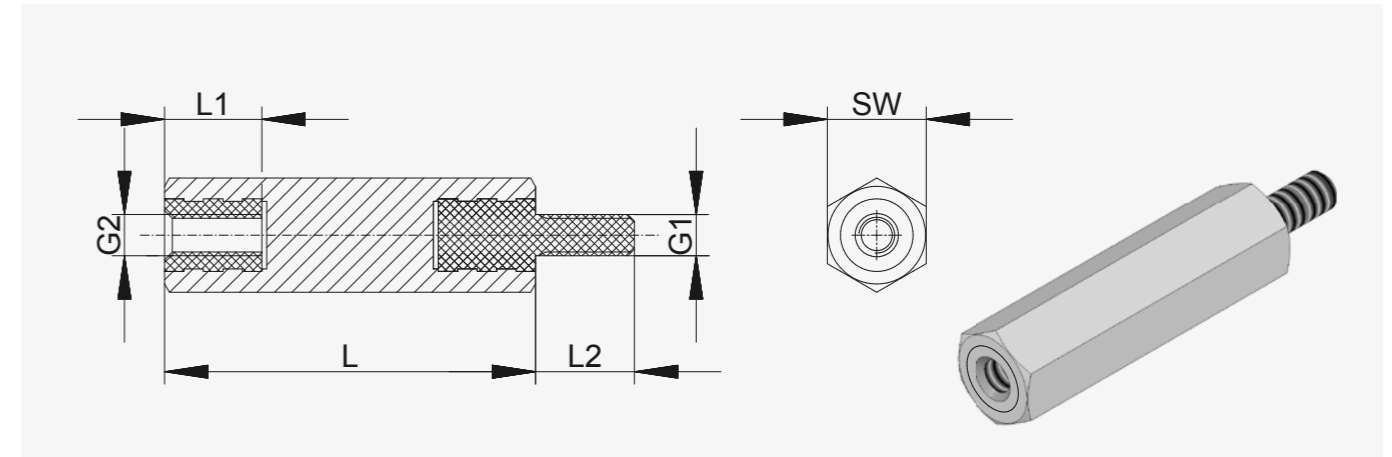
Order sample: 2188 x 45 = DIA / brass-polyamide / SW10 / M5 x 45

Attention: The pull-out force and torques values may vary depending on application and ambient influences (for example temperature, air humidity, etc.). Additional tests are to be performed on critical components. DREMEC Befestigungselemente GmbH shall assume no liability for strength / resistance values.



Spacer bolts with metric threads

Polyamide with brass threads



Spacer bolts

Type	hexagonal
Design	internal / external without undercut
Material body	polyamide 6.6
Material thread	brass CuZn39Pb3, uncoated
Colour	natur
MOQ	100 pcs

Strength / resistance values

Thread lengths [mm]			Torques [Nm]			Pull-out force [N]		
G1=G2	L1	L2	SW13	M6	12.0	SW13	M6	1000
M6	10	12	SW15	M8	18.0	SW15	M8	1600
M8	11	14						

Contact resistance: ~ 10¹² Ohm / cm
 Dielectric strength: 50 kV / mm
 Tolerance for length dimensions: +/- 0.2 mm

Order number	Hexagonal size (SW)	Thread (G1/G2)	Standard lengths in mm (L)
218139 x (length)	SW13	M6	25-60
2181510 x	SW15	M8	25-60

Order sample: 218139 x 45 = DIA / brass-polyamide / SW13 / M6 x 45

Attention: The pull-out force and torques values may vary depending on application and ambient influences (for example temperature, air humidity, etc.). Additional tests are to be performed on critical components. DREMEC Befestigungselemente GmbH shall assume no liability for strength / resistance values.



X-ON Electronics

Largest Supplier of Electrical and Electronic Components

Click to view similar products for [Standoffs & Spacers](#) category:

Click to view products by [Dremec](#) manufacturer:

Other Similar products are found below :

[588-6208-02](#) [M0516-3-N](#) [M0518-3-N](#) [M0521-3-N](#) [M0524-3-N](#) [M0532-35-N](#) [M0543-4-AL](#) [M0544-35-N](#) [M0544-3-N](#) [M0545-3-AL](#) [M0553-3-N](#) [M0608-5-SS](#) [M0609-5-SS](#) [M0651-5-SS](#) [M0653-35-N](#) [M0654-4-SS](#) [M0655-5-AL](#) [M0658-35-AL](#) [M0660-4-AL](#) [M0660-4-N](#) [M0670-35-N](#) [M0671-5-N](#) [M0671-5-SS](#) [M0722-5-N](#) [M0725-6-N](#) [M0904-B-25-AL](#) [M1273-2545-AL](#) [M1273-2545-SS](#) [M1273-3005-AL](#) [M1273-3005-SS](#) [M1274-3005-AL](#) [60187](#) [60202-SP](#) [60273](#) [60335-SP](#) [60348-SP](#) [60419-SP](#) [60425-SP](#) [60473-SP](#) [60475-SP](#) [60477-SP](#) [60489-SP](#) [60491-SP](#) [60585-SP](#) [60762-SP](#) [60763-SP](#) [60872-SP](#) [M1303-3506-AL](#) [M1307-3506-AL](#) [M1314-3005-AL](#)