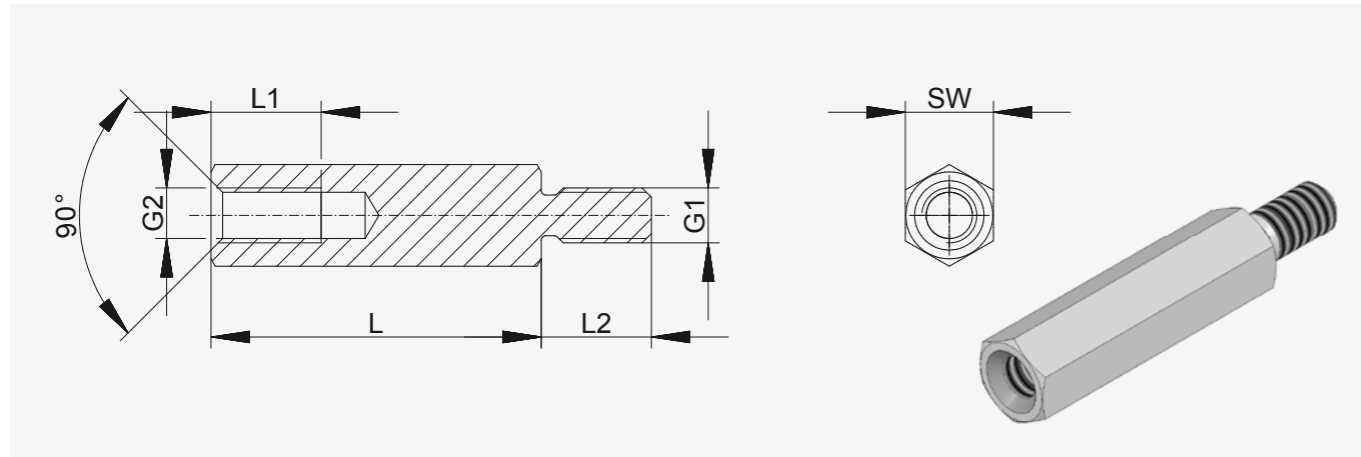


Spacer bolts with metric threads

Aluminium



Spacer bolts

Type hexagonal
Design internal / external with undercut DIN 76-B (optional without undercut)
Material aluminium AlCuBiPb
Surface uncoated
MOQ 100 pcs

Internal thread lengths [mm]

L	L2 with M2.5 to M3	L2 with M4	L2 with M5	L2 with M6	L2 with M8
5	2.5				
8	5	5			
10	6	6	6	5	
12	7	8	8	7	
15	7	9	10	10	10
18	7	9	10	12	12
from 20	7	9	10	12	14

External thread lengths [mm]

G1	L2
M2.5	6
M3	6
M4	8
M5	8
M6	10
M8	14

Minimum tensile strength: 310 N / mm²
 Tolerance for length dimensions: +/- 0.1 mm
 (DIN 2678-m applies for SW13)

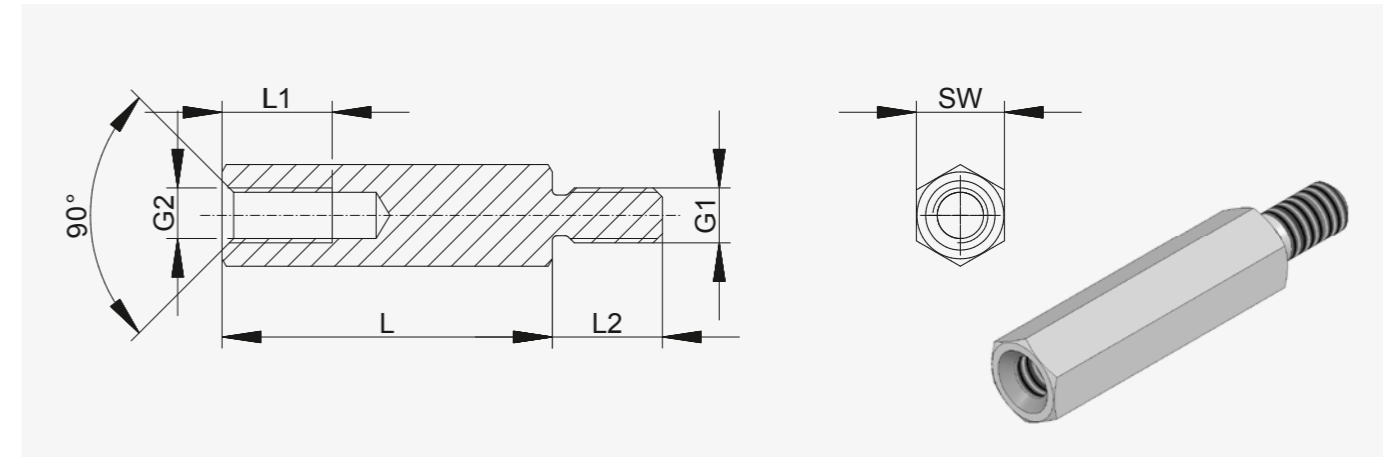
Order number	Hexagonal size (SW)	Thread (G1/G2)	Standard lengths in mm (L)																		
			05	08	10	12	15	18	20	25	30	35	40	45	50	55	60				
232 x (length)	SW5	M2.5																			
234 x	SW5.5	M3																			
235 x	SW6	M3																			
236 x	SW7	M4																			
238 x	SW8	M5																			
239 x	SW10	M6																			
2313 x	SW13	M8																			

Order sample: 236 x 50 = DIA / aluminium / SW7 / M4 x 50



Spacer bolts with metric threads

Stainless steel



Spacer bolts

Type hexagonal
Design internal / external with undercut DIN 76-B (optional without undercut)
Material stainless steel 1.4305
Surface uncoated
MOQ 100 pcs

Internal thread lengths [mm]

L	L1 with M2	L1 with M2.5 to M3	L1 with M4	L1 with M5	L1 with M6	L1 with M8
5	2.5	2.5				
8	5	5	5			
10	6	6	6	6	5	
12	6	7	8	8	7	
15	6	7	9	10	10	10
18	6	7	9	10	12	12
from 20	6	7	9	10	12	14

External thread lengths [mm]

G1	L2
M2	5
M2.5	6
M3	6
M4	8
M5	8
M6	10
M8	14

Minimum tensile strength: 750 N / mm²
 Tolerance for length dimensions: +/- 0.1 mm
 (DIN 2678-m applies for SW13)

Order number	Hexagonal size (SW)	Thread (G1/G2)	Standard lengths in mm (L)																		
			05	08	10	12	15	18	20	25	30	35	40	45	50	55	60				
241 x (length)	SW5	M2																			
242 x	SW5	M2.5																			
244 x	SW5.5	M3																			
246 x	SW7	M4																			
248 x	SW8	M5																			
249 x	SW10	M6																			
2413 x	SW13	M8																			

Order sample: 246 x 50 = DIA / stainless steel / SW7 / M4 x 50



X-ON Electronics

Largest Supplier of Electrical and Electronic Components

Click to view similar products for [Standoffs & Spacers](#) category:

Click to view products by [Dremec](#) manufacturer:

Other Similar products are found below :

[588-6208-02](#) [599-9844-02](#) [M0516-3-N](#) [M0518-3-N](#) [M0521-3-N](#) [M0524-3-N](#) [M0532-35-N](#) [M0543-4-AL](#) [M0544-35-N](#) [M0544-3-N](#) [M0545-3-AL](#) [M0553-3-N](#) [M0608-5-SS](#) [M0609-5-SS](#) [M0651-5-SS](#) [M0653-35-N](#) [M0654-4-SS](#) [M0655-5-AL](#) [M0658-35-AL](#) [M0660-4-AL](#) [M0660-4-N](#) [M0670-35-N](#) [M0671-5-N](#) [M0671-5-SS](#) [M0722-5-N](#) [M0725-6-N](#) [M0904-B-25-AL](#) [M1273-2545-AL](#) [M1273-2545-SS](#) [M1273-3005-AL](#) [M1273-3005-SS](#) [M1274-3005-AL](#) [60187](#) [60202-SP](#) [60273](#) [60335-SP](#) [60348-SP](#) [60419-SP](#) [60425-SP](#) [60473-SP](#) [60475-SP](#) [60477-SP](#) [60489-SP](#) [60491-SP](#) [60585-SP](#) [60762-SP](#) [60763-SP](#) [60872-SP](#) [M1303-3506-AL](#) [M1307-3506-AL](#)