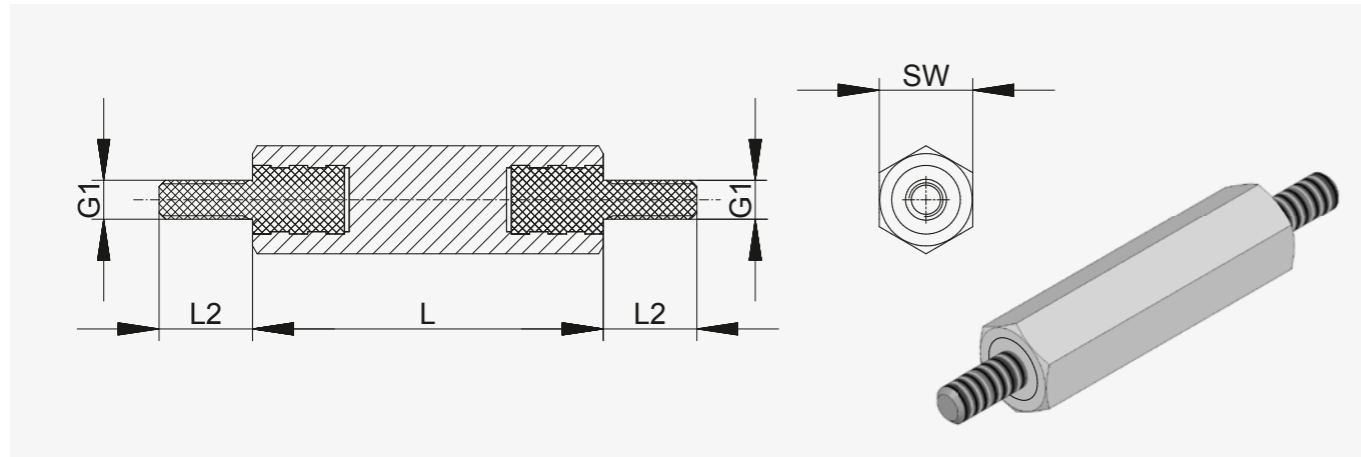


Spacer bolts with metric threads

Polyamide with brass threads



Spacer bolts

| | |
|------------------------|--------------------------------------|
| Type | hexagonal |
| Design | external / external without undercut |
| Material body | polyamide 6.6 |
| Material thread | brass CuZn39Pb3, uncoated |
| Colour | white / nature |
| MOQ | 100 pcs |

Strength / resistance values

| Thread lengths [mm] | | Torques [Nm] | | | Pull-out force [N] | | |
|---------------------|---------|--------------|------|-----|--------------------|------|-----|
| G1 | L2 (mm) | SW6 | M2.5 | 1.3 | SW6 | M2.5 | 300 |
| M2.5 | 6 | SW6 | M3 | 1.3 | SW6 | M3 | 300 |
| M3 | 8 | SW8 | M4 | 3.0 | SW8 | M4 | 600 |
| M4 | 8 | SW10 | M5 | 4.5 | SW10 | M5 | 800 |
| M5 | 10 | | | | | | |

Contact resistance: ~ 10¹² Ohm / cm
 Dielectric strength: 50 kV / mm
 Tolerance for length dimensions: +/- 0.2 mm

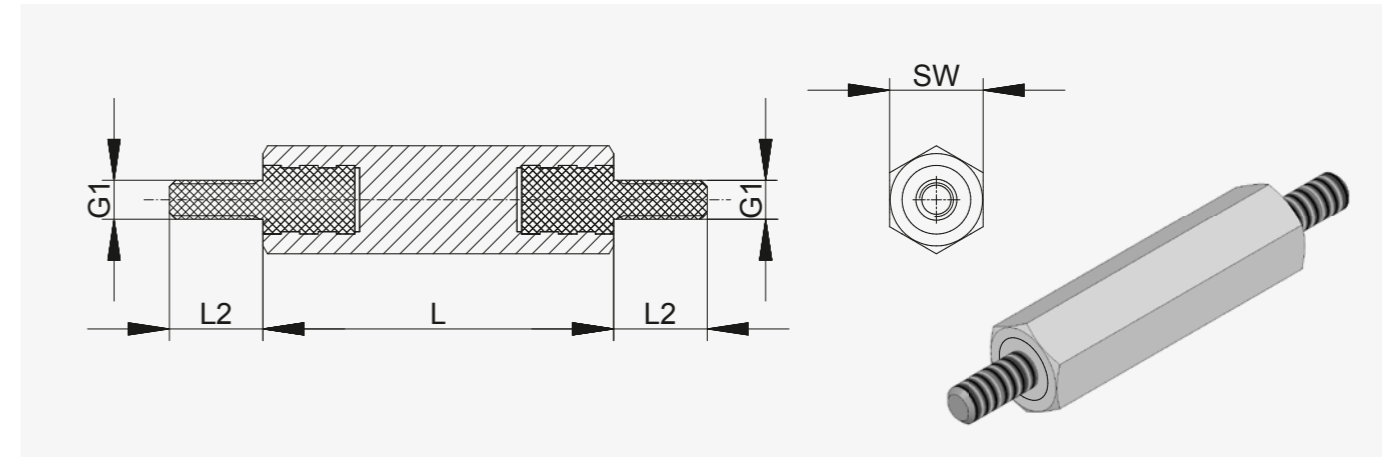
| Order number | Hexagonal size (SW) | Thread (G1) | Standard lengths in mm (L) |
|-----------------|---------------------|-------------|----------------------------|
| 4182 x (length) | SW6 | M2.5 | 15-65 |
| 4183 x | SW6 | M3 | 15-65 |
| 4186 x | SW8 | M4 | 15-65 |
| 4188 x | SW10 | M5 | 15-70 |

Order sample: 4183 x 45 = DAA / brass-polyamide / SW6 / M3 x 45



Spacer bolts with metric threads

Polyamide with brass threads



Spacer bolts

| | |
|------------------------|--------------------------------------|
| Type | hexagonal |
| Design | external / external without undercut |
| Material body | polyamid 6.6 |
| Material thread | brass CuZn39Pb3, uncoated |
| Colour | nature |
| MOQ | 100 pcs |

Strength / resistance values

| Thread lengths [mm] | | Torques [Nm] | | | Pull-out force [N] | | |
|---------------------|---------|--------------|----|------|--------------------|----|------|
| G1 | L2 (mm) | SW13 | M6 | 12.0 | SW13 | M6 | 1000 |
| M6 | 12 | SW15 | M8 | 18.0 | SW15 | M8 | 1600 |
| M8 | 14 | | | | | | |

Contact resistance: ~ 10¹² Ohm / cm
 Dielectric strength: 50 kV / mm
 Tolerance for length dimensions: +/- 0.2 mm

| Order number | Hexagonal size (SW) | Thread (G1) | Standard lengths in mm (L) |
|-------------------|---------------------|-------------|----------------------------|
| 418139 x (length) | SW13 | M6 | 25-100 |
| 4181510 x | SW15 | M8 | 25-100 |

Order sample: 418139 x 45 = DAA / brass-polyamide / SW13 / M6 x 45

Attention: The pull-out force and torques values may vary depending on application and ambient influences (for example temperature, air humidity, etc.). Additional tests are to be performed on critical components. DREMEC Befestigungselemente GmbH shall assume no liability for strength / resistance values.



X-ON Electronics

Largest Supplier of Electrical and Electronic Components

Click to view similar products for [Standoffs & Spacers](#) category:

Click to view products by [Dremec](#) manufacturer:

Other Similar products are found below :

[005246059905](#) [005371200014](#) [005372000014](#) [005420559914](#) [005425659914](#) [005453000014](#) [005463200014](#) [035936C](#) [035937A](#) [035938X](#)
[035939H](#) [035940X](#) [035943E](#) [035945A](#) [05.01.103](#) [05.02.113](#) [05.03.051](#) [05.03.053](#) [05.03.061](#) [05.03.073](#) [05.03.081](#) [05.03.083](#) [05.03.101](#)
[05.03.103](#) [05.03.111](#) [05.03.123](#) [05.03.133](#) [05.03.141](#) [05.03.143](#) [05.03.151](#) [05.03.153](#) [05.03.159](#) [05.03.161](#) [05.03.171](#) [05.03.173](#) [05.03.183](#)
[05.03.203](#) [05.03.221](#) [05.03.251](#) [05.03.253](#) [05.03.301](#) [05.03.303](#) [05.03.351](#) [05.03.401](#) [05.04.053](#) [05.04.101](#) [05.04.103](#) [05.04.121](#) [05.04.123](#)
[05.04.151](#)