

General

In the following chapter plastic rivets are presented.

Specification

- Rivet:** To install, simply press the head of the double rivets. The rivet expands, ensuring a safe and secure installation.
- Flat plastic rivets: :** Easily installed by hand. The pin is driven into the rivet which causes the rivet to spread thus ensuring a secure attachment.
- Plastic rivets:** Installation with a standard rivet tool.
- Mounting Knob:** For fixing thin materials or for the easier assembling of components. Economical and easy to install.

Material	Flammability Rating	RoHS Compliance	Dremec Material-Spezifikation
Nylon 6/6	V2	Yes	801
Nylon 6	V2	Yes	811
Nylon 66/6	V0	Yes	813
POM (Acetal)	HB	Yes	804

For more details on material properties please consult the data section (DMS) of the catalogue.

Colour

Standard colours include black, white and natural. Other colours upon request.

Rivets



Page 68



Page 69



Page 70



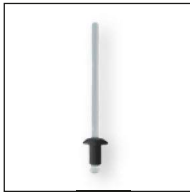
Page 71



Page 72



Page 73



Page 74



Page 75



Page 75



Page 75



Page 76

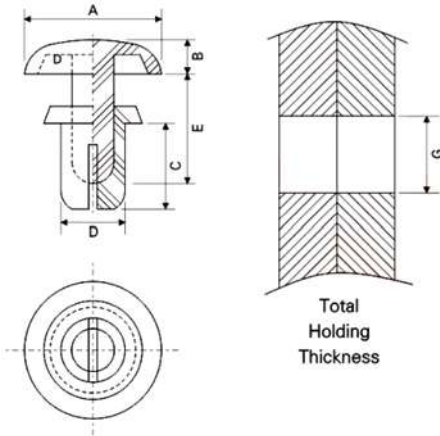


Page 76



Page 77

Rivets



Type round head type I
Material Nylon 6/6 V2 / DMS 801
Colour black / white
Unit mm
Standard Pack 1.000 pcs

Alternative as V0 (Nylon 6/6 DMS 813) and different colours (from 20.000 pcs) available. Please request separately.

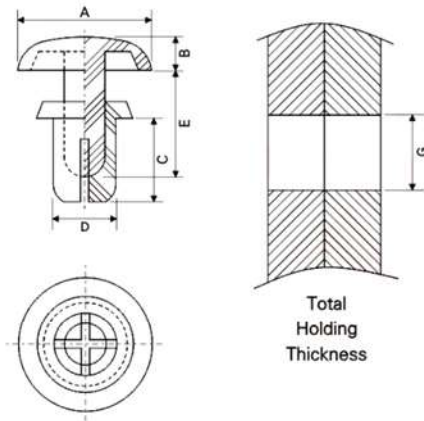
Insert force		≤ 2.5 kgf		Extraction force					≥ 3.0 kgf
Order No.	Colour	Hole-∅	Panel Thickness	"A"	"B"	"C"	"D"	"E"	
8G4012.0x1.2	B W	2.1	0.6 ~ 1.2	4.2	1.2	2.4	2.0	2.8	
8G4012.0x2.0	B W		1.3 ~ 2.0			3.2		3.8	
8G4012.0x2.8	B W		2.1 ~ 2.8			4.0		5.5	
8G4012.0x3.6	B W		2.9 ~ 3.6			4.8		7.2	
8G4012.0x4.4	B W		3.7 ~ 4.4			5.6			
8G4012.0x5.2	B W		4.5 ~ 5.2			6.4			

Insert force		≤ 3.0 kgf		Extraction force					≥ 5.0 kgf
Order No.	Colour	Hole-∅	Panel Thickness	"A"	"B"	"C"	"D"	"E"	
8G4012.6x2.0	B W	2.7	1.0 ~ 2.0	5.0	1.4	3.2	2.6	4.6	
8G4012.6x3.0	B W		2.1 ~ 3.0			4.2		6.2	
8G4012.6x3.6	B W		2.7 ~ 3.6			4.8			
8G4012.6x4.3	B W		3.4 ~ 4.3			5.5		7.8	
8G4012.6x5.2	B W		4.3 ~ 5.2			6.4			
8G4012.6x6.0	B W		5.1 ~ 6.0			7.2			

Insert force		≤ 3.0 kgf		Extraction force					≥ 8.0 kgf
Order No.	Colour	Hole-∅	Panel Thickness	"A"	"B"	"C"	"D"	"E"	
8G4013.0x2.0	B W	3.1	1.0 ~ 2.0	6.4	1.6	3.5	3.0	5.1	
8G4013.0x3.0	B W		2.0 ~ 3.0			4.5		6.1	
8G4013.0x4.0	B W		3.0 ~ 4.0			5.5			
8G4013.0x5.0	B W		4.0 ~ 5.0			6.5		7.1	
8G4013.0x6.0	B W		5.0 ~ 6.0			7.5			
8G4013.0x6.5	B W		5.5 ~ 6.5			8.0		9.0	
8G4013.0x7.5	B W		6.5 ~ 7.5			9.0			
8G4013.0x8.5	B W		7.5 ~ 8.5			10.0		11.0	
8G4013.0x13.0	B W		11.5 ~ 13.0			14.5			
8G4013.0x21.5	B W		20.5 ~ 21.5			23.0		15.5	24.0

Ordering example: 8G4012.0x1.2B for black
8G4012.0x1.2W for white

Rivets



Type round haed type II
Material Nylon 6/6 V2 / DMS 801
Colour black / white
Unit mm
Standard Pack 1.000 pcs

Alternative as V0 (Nylon 66/6 DMS 813) and different colours (from 20.000 pcs) available. Please request separately.



Insert force		≤ 4.0 kgf			Extraction force				≥ 12.0 kgf
Order No.	Colour	Hole-∅	Panel Thickness	"A"	"B"	"C"	"D"	"E"	
8G4023.5x2.1	B W	3.6 ~ 3.7	1.1 ~ 2.1	6.4	1.6	3.5	3.5	5.1	
8G4023.5x3.1	B W		2.2 ~ 3.1			4.5		6.1	
8G4023.5x3.6	B W		2.7 ~ 3.6			5.0		7.1	
8G4023.5x4.1	B W		3.2 ~ 4.1			5.5			
8G4023.5x4.6	B W		3.7 ~ 4.6			6.0			
8G4023.5x5.6	B W		4.7 ~ 5.6			7.0		9.0	
8G4023.5x6.6	B W		5.7 ~ 6.6			8.0			

Insert force		≤ 4.0 kgf			Extraction force				≥ 20.0 kgf
Order No.	Colour	Hole-∅	Panel Thickness	"A"	"B"	"C"	"D"	"E"	
8G4024.0x3.5	B W	4.1 ~ 4.2	2.5 ~ 3.5	8.0	1.8	5.0	4.0	7.1	
8G4024.0x4.5	B W		3.5 ~ 4.5			6.0		9.0	
8G4024.0x5.5	B W		4.5 ~ 5.5			7.0			
8G4024.0x6.5	B W		5.5 ~ 6.5			8.0		11.0	
8G4024.0x7.5	B W		6.5 ~ 7.5			9.0			
8G4024.0x8.5	B W		7.5 ~ 8.5			10.0			
8G4024.0x10.5	B W		9.0 ~ 10.5			12.0		14.0	
8G4024.0x14.0	B W		12.5 ~ 14.0			15.0			

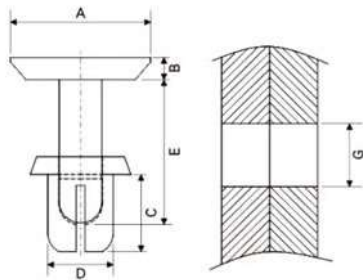
Insert force		≤ 5.0 kgf			Extraction force				≥ 25.0 kgf
Order No.	Colour	Hole-∅	Panel Thickness	"A"	"B"	"C"	"D"	"E"	
8G4025.0x2.5	B W	5.1 ~ 5.2	1.5 ~ 2.5	9.0	2.2	4.5	5.0	6.5	
8G4025.0x3.5	B W		2.5 ~ 3.5			5.5		8.5	
8G4025.0x4.5	B W		3.5 ~ 4.5			6.5			
8G4025.0x5.5	B W		4.5 ~ 5.5			7.5		10.5	
8G4025.0x6.5	B W		5.5 ~ 6.5			8.5			
8G4025.0x7.5	B W		6.5 ~ 7.5			9.5			
8G4025.0x8.5	B W		7.5 ~ 8.5			10.5		12.0	

Insert force		≤ 6.0 kgf			Extraction force				≥ 25.0 kgf
Order No.	Colour	Hole-∅	Panel Thickness	"A"	"B"	"C"	"D"	"E"	
8G4025.8x4.0	B W	5.9 ~ 6.0	3.0 ~ 4.0	12.0	2.7	6.5	5.8	9.0	

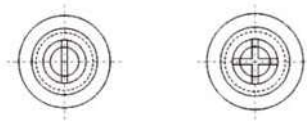
Insert force		≤ 6.0 kgf			Extraction force				≥ 30.0 kgf
Order No.	Colour	Hole-∅	Panel Thickness	"A"	"B"	"C"	"D"	"E"	
8G4026.0x4.0	B W	6.1 ~ 6.2	2.5 ~ 4.0	12.0	2.5	6.0	6.0	9.0	
8G4026.0x5.5	B W		4.0 ~ 5.5		3.0	8.0		10.0	

Ordering example: 8G4023.5x2.1B for black
8G4023.5x2.1W for white

Rivets



Bottom of the trench



Type 1

Type 2



Type flat haed
Material Nylon 6/6 V2 / DMS 801
Colour black / white
Unit mm
Standard Pack 1.000 pcs

Alternative in different colours (from 20.000 pcs) available. Please request separately.

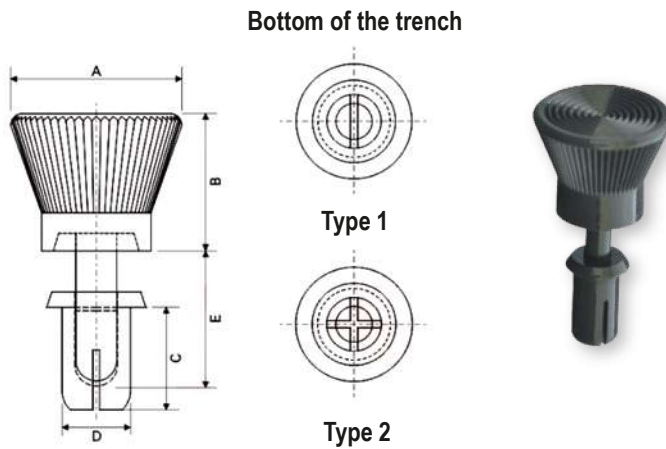
Type 1	Insert force		≤ 3.0 kgf			Extraction force			≥ 8.0 kgf
Order No.	Colour	Hole-∅	Panel Thickness	"A"	"B"	"C"	"D"	"E"	
8G4032.6x7.0	B W	2.7	6.0 ~ 7.0	6.4	0.7	8.5	2.6	10.0	

Type 1	Insert force		≤ 3.0 kgf			Extraction force			≥ 8.0 kgf
Order No.	Colour	Hole-∅	Panel Thickness	"A"	"B"	"C"	"D"	"E"	
8G4033.0x2.0	B W	3.1	1.0 ~ 2.0	6.4	1.0	3.5	3.0	6.5	
8G4033.0x3.0	B W		2.0 ~ 3.0			4.5			
8G4033.0x4.0	B W		3.0 ~ 4.0			5.5			

Type 1	Insert force		≤ 3.0 kgf			Extraction force			≥ 8.0 kgf
Order No.	Colour	Hole-∅	Panel Thickness	"A"	"B"	"C"	"D"	"E"	
8G4033.0x5.0	B W	3.1	4.0 ~ 5.0	6.0	1.0	6.5	3.0	10.0	
8G4033.0x6.0	B W		5.0 ~ 6.0			7.5			
8G4033.0x6.5	B W		5.5 ~ 6.5			8.0			
8G4033.0x7.5	B W		6.5 ~ 7.5			9.0			
8G4033.0x8.5	B W		7.5 ~ 8.5			10.0		12.0	

Type 2	Insert force		≤ 4.0 kgf			Extraction force			≥ 12.0 kgf
Order No.	Colour	Hole-∅	Panel Thickness	"A"	"B"	"C"	"D"	"E"	
8G4033.5x2.0	B W	3.6	1.0 ~ 2.0	6.4	1.0	3.5	3.5	6.5	
8G4033.5x3.0	B W		2.0 ~ 3.0			4.5			
8G4033.5x4.0	B W		3.0 ~ 4.0	6.0		5.5		10.0	
8G4033.5x4.5	B W		3.5 ~ 4.5			6.0			
8G4033.5x5.5	B W		4.5 ~ 5.5			7.0			
8G4033.0x6.5	B W		5.5 ~ 6.5			8.0			

Ordering example: 8G4033.0x2.0B for black
 8G4033.0x2.0W for white



Type T
Material Nylon 6/6 V2 / DMS 801
Colour black / white
Unit mm
Standard Pack 1.000 pcs

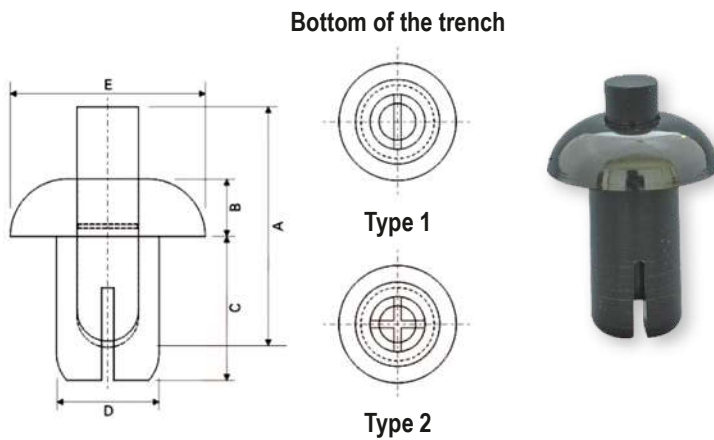
Alternative in different colours (from 20.000 pcs) available. Please request separately.

Type 1		Insert force		≤ 3.0 kgf		Extraction force			≥ 8.0 kgf
Order No.	Colour	Hole-∅	Panel Thickness	"A"	"B"	"C"	"D"	"E"	
8G4043.0x2.0	B W	3.1	1.0 ~ 2.0	10.0	8.0	3.5	3.0	6.6	
8G4043.0x3.0	B W		2.0 ~ 3.0			4.5			
8G4043.0x4.0	B W		3.0 ~ 4.0			5.5			
8G4043.0x5.0	B W		4.0 ~ 5.0			6.5			
8G4043.0x6.0	B W		5.0 ~ 6.0			7.5			
8G4033.0x6.5	B W		5.5 ~ 6.5			8.0			9.0

Type 2		Insert force		≤ 4.0 kgf		Extraction force			≥ 12.0 kgf
Order No.	Colour	Hole-∅	Panel Thickness	"A"	"B"	"C"	"D"	"E"	
8G4043.5x2.0	B W	3.6	1.0 ~ 2.0	10.0	8.0	3.5	3.5	6.6	
8G4043.5x3.0	B W		2.0 ~ 3.0			4.5			
8G4043.5x4.0	B W		3.0 ~ 4.0			5.5			
8G4043.5x4.5	B W		3.5 ~ 4.5			6.0			
8G4043.5x5.5	B W		4.5 ~ 5.5			7.0			
8G4043.5x6.5	B W		5.5 ~ 6.5			8.0			9.0

Type 2		Insert force		≤ 4.0 kgf		Extraction force			≥ 20.0 kgf
Order No.	Colour	Hole-∅	Panel Thickness	"A"	"B"	"C"	"D"	"E"	
8G4044.0x3.5	B W	4.1	2.5 ~ 3.5	12.0	8.0	5.0	4.0	7.6	
8G4044.0x4.5	B W		3.5 ~ 4.5			6.0			
8G4044.0x5.5	B W		4.5 ~ 5.5			7.0			
8G4044.0x6.5	B W		5.5 ~ 6.5			8.0			
8G4044.0x7.5	B W		6.5 ~ 7.5			9.0			
8G4044.0x8.5	B W		7.5 ~ 8.5			10.0			11.2

Ordering example: 8G4043.0x2.0B for black
 8G4043.0x2.0W for white



Type push rivet
Material Nylon 6/6 V2 / DMS 801
Colour black / white
Unit mm
Standard Pack 1.000 pcs

Alternative in different colours (from 20.000 pcs) available. Please request separately.

Type 1		Insert force			Extraction force			
		≤ 3.0 kgf			≥ 8.0 kgf			
Order No.	Colour	Hole-∅	Panel Thickness	"A"	"B"	"C"	"D"	"E"
8G4053.0x3.0	B W	3.1	2.0 ~ 3.0	8.9	2.0	4.5	3.0	5.8
8G4053.0x4.0	B W		3.0 ~ 4.0			5.6		

Type 2		Insert force			Extraction force			
		≤ 4.0 kgf			≥ 20.0 kgf			
Order No.	Colour	Hole-∅	Panel Thickness	"A"	"B"	"C"	"D"	"E"
8G4054.0x3.5	B W	4.1	2.5 ~ 3.5	9.2	2.2	5.0	4.0	8.0
8G4054.0x4.5	B W		3.5 ~ 4.5			6.0		

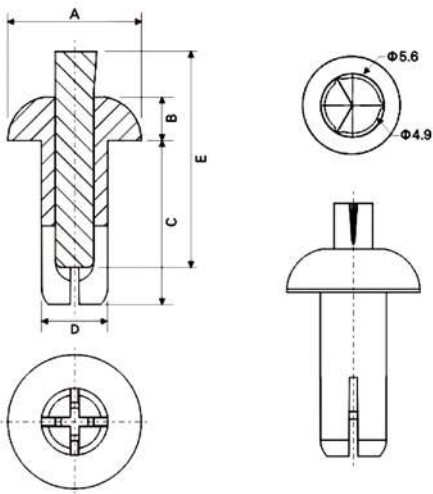
Order No.	Colour	Hole-∅	Panel Thickness	"A"	"B"	"C"	"D"	"E"
8G4054.8x3.0	B W	4.8	1.2 ~ 3.0	10.4	3.3	5.1	4.8	9.9

Type 2		Insert force			Extraction force			
		≤ 5.0 kgf			≥ 25.0 kgf			
Order No.	Colour	Hole-∅	Panel Thickness	"A"	"B"	"C"	"D"	"E"
8G4055.0x3.0	B W	5.1	2.0 ~ 3.0	9.4	2.8	5.1	5.0	9.5
8G4055.0x4.0	B W		3.0 ~ 4.0			6.1		
8G4055.0x5.0	B W		4.0 ~ 5.0	11.4		7.1		
8G4055.0x6.0	B W		5.0 ~ 6.0			8.1		
8G4055.0x7.0	B W		6.0 ~ 7.0	12.4		8.9		
8G4055.0x8.0	B W		7.0 ~ 8.0	13.6		10.0		

Type 2		Insert force			Extraction force			
		≤ 6.0 kgf			≥ 30.0 kgf			
Order No.	Colour	Hole-∅	Panel Thickness	"A"	"B"	"C"	"D"	"E"
8G4056.0x4.0	B W	6.1	2.5 ~ 4.0	9.4	1.5	6.1	6.0	10.9

Ordering example: 8G4053.0x3.0B for black
 8G4053.0x3.0W for white

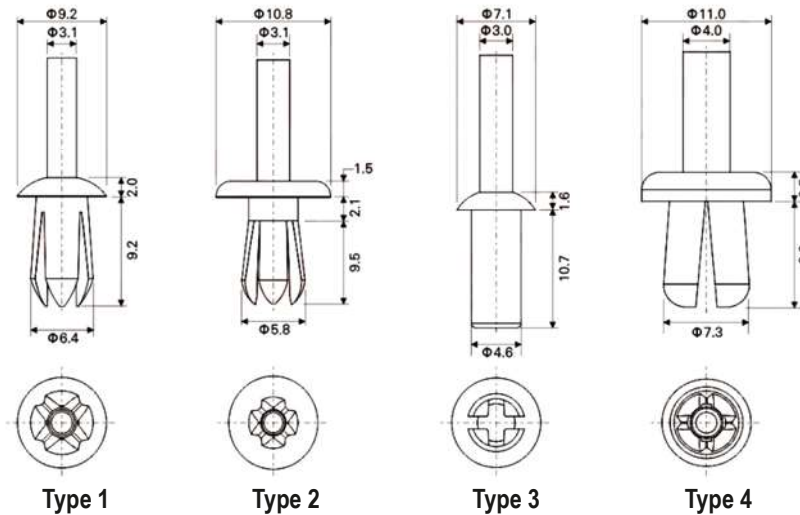
Rivets



Type push rivet
Material Nylon 6/6 V2 / DMS 801
Colour black / white
Unit mm
Standard Pack 1.000 pcs

Order No.	Colour	"A"	"B"	"C"	"D"	"E"	
8G4058.4x15.5	B	W	16.4	5.0	15.5	8.4	21.0
8G4058.5x20.8	B	W	17.0		20.8	8.5	27.4
8G4058.5x15.5	B	W			15.5		

Ordering example: 8G4058.4x15.5B for black
8G4058.4x15.5W for white

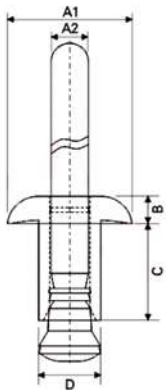


Type push rivet
Material Nylon 6/6 V2 / DMS 801
Colour black / white
Unit mm
Standard Pack 1.000 pcs



Type	Order No.	Colour
Type 1	8G406V20679	B W
Type 2	8G406V20685	B W
Type 3	8G406V20819	B W
Type 4	8G406V20678	B W

Ordering example: 8G406V20679B for black
8G406V20679W for white



Type	clinch rivet
Material	Nylon 6 V2 / DMS 811
Colour	black / white / grey / tan
Unit	mm
Standard Pack	500 pcs 1.000 pcs

Alternative in different colours available. Please request separately.

Tensile Strength Type: 12 kgf

Shear Strength Type: 12 kgf

Order No.	Colour				Hole- \emptyset	Panel Thickness	"A1"	"A2"	"B"	"C"	"D"
	black	white	grey	tan							
8G4073.2x3.5	-1	-2	-3	-4	3.3	1.0 ~ 3.5	6.4	2.1	1.4	6.4	3.2
8G4073.2x6.5	-1	-2	-3	-4		3.5 ~ 6.5				9.6	
8G4073.2x9.5	-1	-2	-3	-4		6.5 ~ 9.5				12.7	

Tensile Strength Type: 18 kgf

Shear Strength Type: 25 kgf

Order No.	Colour				Hole- \emptyset	Panel Thickness	"A1"	"A2"	"B"	"C"	"D"
	black	white	grey	tan							
8G4074.0x3.5	-1	-2	-3	-4	4.1	1.0 ~ 3.5	8.0	2.4	1.8	6.4	4.0
8G4074.0x6.5	-1	-2	-3	-4		3.5 ~ 6.5				9.6	
8G4074.0x9.5	-1	-2	-3	-4		6.5 ~ 9.5				12.7	

Tensile Strength Type: 28 kgf

Shear Strength Type: 40 kgf

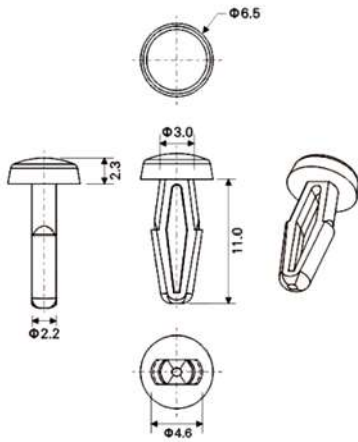
Order No.	Colour				Hole- \emptyset	Panel Thickness	"A1"	"A2"	"B"	"C"	"D"
	black	white	grey	tan							
8G4074.8x4.5	-1	-2	-3	-4	4.9	1.5 ~ 4.5	9.6	2.8	2.0	8.0	4.8
8G4074.8x7.5	-1	-2	-3	-4		4.5 ~ 7.5				11.2	
8G4074.8x10.5	-1	-2	-3	-4		7.5 ~ 10.5				14.4	

Tensile Strength Type: 40 kgf

Shear Strength Type: 65 kgf

Order No.	Colour				Hole- \emptyset	Panel Thickness	"A1"	"A2"	"B"	"C"	"D"
	black	white	grey	tan							
8G4075.6x5.0	-1	-2	-3	-4	5.7	2.0 ~ 5.0	12.0	3.4	2.2	9.6	5.6
8G4075.6x8.0	-1	-2	-3	-4		5.0 ~ 8.0				12.7	
8G4075.6x11.5	-1	-2	-3	-4		8.0 ~ 11.5				15.9	

Ordering example: 8G4073.2x3.5-1 for black
8G4073.2x3.5-2 for white

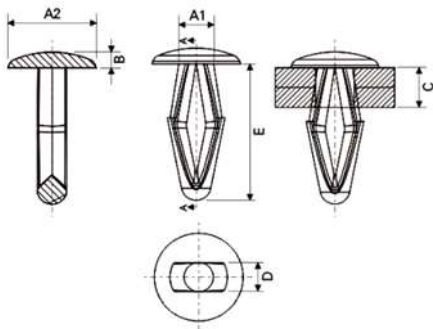


Fastener button type I

Material POM / DMS 804
Colour black / natural
Unit mm
Standard Pack 1.000 pcs

Order No.	Colour
8G414V20656	B N

Ordering example: 8G414V20656B for black

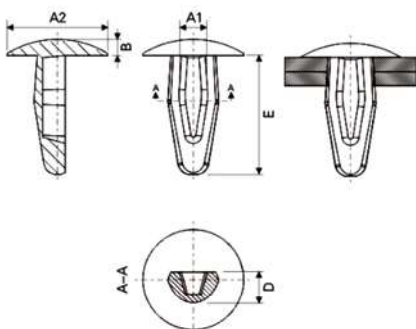


Fastener button type II

Material POM / DMS 804
Colour black / natural
Unit mm
Standard Pack 1.000 pcs

Order No.	Colour	A1	A2	B	C	D	E
8G4142.9x13.8	B N	3.5	8.9	1.6	1-5	2.9	13.8
8G41413.8x18.0	B N	4.5	12.0	2.0	6-9	3.8	18.0

Ordering example: 8G4142.9x13.8B for black
 8G4142.9x13.8N for natural

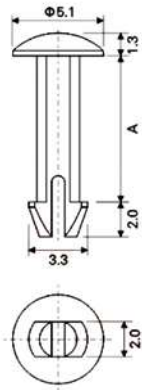


Fastener button type III

Material Nylon 6 V2 / DMS 811
Colour black / natural
Unit mm
Standard Pack 1.000 pcs

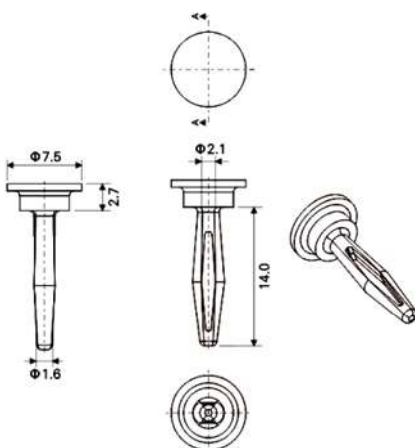
Order No.	Colour	Hole-Ø	Panel Thickness	A1	A2	B	D	E
8G4152.2x2.5	B N	3.10 ~ 3.22	2.0 ~ 2.5	2.0	7.10	1.15	2.2	8.4
8G4152.0x4.0	B N	3.22 ~ 3.58	2.9 ~ 4.0	2.4	10.30	1.70	2.0	11.1

Ordering example: 8G4152.2x2.5B for black
 8G4152.2x2.5N for natural



+ Snap lock pin +
 Material Nylon 6/6 V2 / DMS 801
 Colour natural
 Unit mm
 Standard Pack 1.000 pcs +

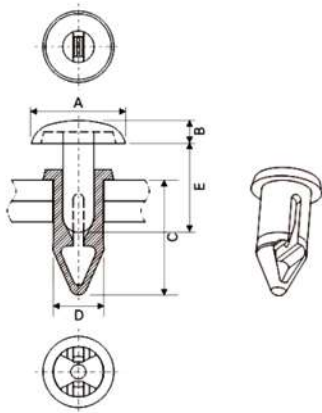
Order No.	Hole- ϕ	A
8G4162.5x4.5	2.5	4.50
8G4162.5x5.6		5.60
8G4162.5x6.0		6.00
8G4162.5x6.2		6.22
8G4162.5x7.8		7.80
8G4162.5x8.0		8.02
8G4162.5x8.3		8.38
8G4162.5x10.5		10.50
8G4162.5x16.2		16.20
8G4162.5x16.7		16.76
8G4162.5x17.8		17.80



+ Fastener button type IV +
 Material POM / DMS 804
 Colour natural
 Unit mm
 Standard Pack 1.000 pcs +

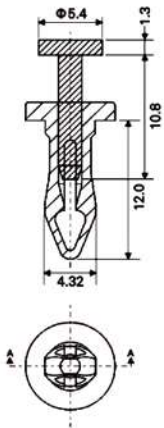
Order No.
8G417V20664

Rivets



Type snap rivet
Material Nylon 6 V2 / DMS 811
Colour black
Unit mm
Standard Pack 2.000 pcs

Order No.	"A"	"B"	"C"	"D"	"E"
8G4183.6x6.1	6.4	1.6	9.5	3.6	6.1
8G4184.2x7.1	8.0	1.8	10.0	4.2	7.1
8G4184.9x8.5	9.0	2.2	11.0	4.9	8.5



Type snap rivet
Material Nylon 6 V2 / DMS 811
Hole-ø 3.6
Panel Thickness 1 ~ 3
Colour black
Unit mm
Standard Pack 2.000 pcs

Order No.
 8G419V20677

X-ON Electronics

Largest Supplier of Electrical and Electronic Components

Click to view similar products for [Screws & Fasteners](#) category:

Click to view products by [Dremec](#) manufacturer:

Other Similar products are found below :

[5721-1440-1/4-SS](#) [0098.0094](#) [0098.9206](#) [59781-6](#) [0098.9212](#) [6292-1](#) [690432-1](#) [699161-000](#) [700989](#) [7230-3](#) [72609-02](#) [CAPTIVE JACK](#)
[SCREW](#) [73542-02](#) [CAPTIVE SHORT THUMBSCREW](#) [745564-1](#) [7680](#) [809704-1](#) [8700](#) [8860220](#) [9521](#) [992763-3](#) [1-18024-0](#) [A168P1](#) [1-](#)
[24921-1](#) [125416-1](#) [1301810313](#) [1-306131-6](#) [1301830042](#) [1458](#) [1-59781-3](#) [18029-4](#) [NBX-10953](#) [NUT-16-3P-HEX-NICKEL](#) [20993.45098](#)
[21004-1](#) [21009-4](#) [21014-5](#) [21021-2](#) [CA24037A01](#) [22987-4](#) [240632-1](#) [240632-2](#) [89506-9801](#) [2504](#) [9031](#) [9-1393249-2](#) [2.5NZPNBU](#) [26-](#)
[0048PP](#) [27210-1](#) [27210-8](#) [9318](#) [9520](#)