



## TEMPERATURE CHARTS



## DIMENSIONS - mm(in.)

### Cable Connector

| ROWS CONTACTS | -A-  |      |
|---------------|------|------|
|               | mm   | in.  |
| 1 - 03        | 28.5 | 1.12 |
| 1 - 04        | 33.5 | 1.32 |
| 1 - 06        | 43.5 | 1.71 |
| 1 - 08        | 53.5 | 2.11 |



See accessory section for panel clip and mounting clip cut-out dimensions.

## ORDERING INFORMATION

### Cable Connector

| Part Number | Description                |
|-------------|----------------------------|
| PM103FOOLOO | 1x3 FEMALE Cable Connector |
| PM104FOOLOO | 1x4 FEMALE Cable Connector |
| PM106FOOLOO | 1x6 FEMALE Cable Connector |
| PM108FOOLOO | 1x8 FEMALE Cable Connector |

### Panel Mount With Mounting Clip

| Part Number | Description                |
|-------------|----------------------------|
| PM103FOOLMC | 1x3 FEMALE Cable Connector |
| PM104FOOLMC | 1x4 FEMALE Cable Connector |
| PM106FOOLMC | 1x6 FEMALE Cable Connector |
| PM108FOOLMC | 1x8 FEMALE Cable Connector |

### With Clam Shell Hood & Strain Relief

| Part Number | Description                |
|-------------|----------------------------|
| PM103FOOLCH | 1x3 FEMALE Cable Connector |
| PM104FOOLCH | 1x4 FEMALE Cable Connector |
| PM106FOOLCH | 1x6 FEMALE Cable Connector |
| PM108FOOLCH | 1x8 FEMALE Cable Connector |

### Panel Mount With Screws

| Part Number | Description                |
|-------------|----------------------------|
| PM103FOOLSC | 1x3 FEMALE Cable Connector |
| PM104FOOLSC | 1x4 FEMALE Cable Connector |
| PM106FOOLSC | 1x6 FEMALE Cable Connector |
| PM108FOOLSC | 1x8 FEMALE Cable Connector |

### With Snap-in Panel Clip

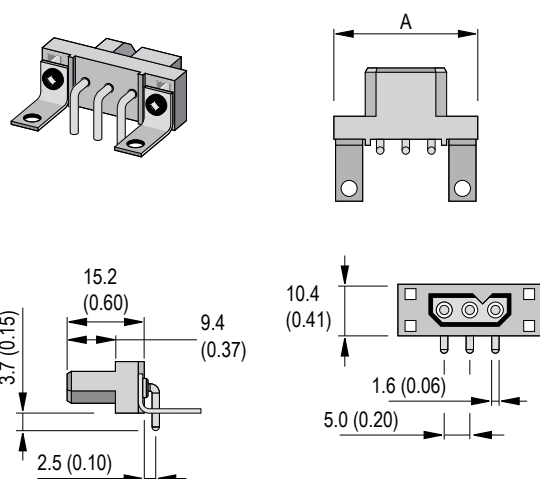
| Part Number | Description                |
|-------------|----------------------------|
| PM103FOOLPC | 1x3 FEMALE Cable Connector |
| PM104FOOLPC | 1x4 FEMALE Cable Connector |
| PM106FOOLPC | 1x6 FEMALE Cable Connector |
| PM108FOOLPC | 1x8 FEMALE Cable Connector |

### Crimp Contacts

| Part Number  | Description | Wire     |             |
|--------------|-------------|----------|-------------|
|              |             | AWG      | sq. mm      |
| PM16S2024S32 | Socket      | #24 / 20 | 0.50 / 0.75 |
| PM16S1620S32 | Socket      | #20 / 16 | 0.50 / 1.5  |
| PM16S1416S32 | Socket      | #16 / 14 | 1.5 / 2.5   |
| PM16S12S32   | Socket      | #12      | 2.5 / 4.0   |

## DIMENSIONS - mm(in.)

### 1 Row - PCB Right Angle Connector



### 1 Row - PCB Hole Layout For Right Angle Connector

| ROWS CONTACTS | A    |      | L1 |      | L2   |      |
|---------------|------|------|----|------|------|------|
|               | mm   | in.  | mm | in.  | mm   | in.  |
| 1 - 03        | 28.5 | 1.12 | 10 | 0.39 | 22.3 | 0.88 |
| 1 - 04        | 33.5 | 1.32 | 15 | 0.59 | 27.3 | 1.07 |
| 1 - 06        | 43.5 | 1.71 | 25 | 0.98 | 37.3 | 1.47 |
| 1 - 08        | 53.5 | 2.11 | 35 | 1.38 | 47.3 | 1.86 |



## ORDERING INFORMATION

### With Latch

| Part Number | Description                       |
|-------------|-----------------------------------|
| PM103FRALOO | 1x3 FEMALE Right Angle PCB Solder |
| PM104FRALOO | 1x4 FEMALE Right Angle PCB Solder |
| PM106FRALOO | 1x6 FEMALE Right Angle PCB Solder |
| PM108FRALOO | 1x8 FEMALE Right Angle PCB Solder |

### No Latch

| Part Number | Description                       |
|-------------|-----------------------------------|
| PM103FRAOOO | 1x3 FEMALE Right Angle PCB Solder |
| PM104FRAOOO | 1x4 FEMALE Right Angle PCB Solder |
| PM106FRAOOO | 1x6 FEMALE Right Angle PCB Solder |
| PM108FRAOOO | 1x8 FEMALE Right Angle PCB Solder |

### Snap Bracket & Latch

| Part Number | Description                       |
|-------------|-----------------------------------|
| PM103FRALSB | 1x3 FEMALE Right Angle PCB Solder |
| PM104FRALSB | 1x4 FEMALE Right Angle PCB Solder |
| PM106FRALSB | 1x6 FEMALE Right Angle PCB Solder |
| PM108FRALSB | 1x8 FEMALE Right Angle PCB Solder |

### Snap Bracket & No Latch

| Part Number | Description                       |
|-------------|-----------------------------------|
| PM103FRAOSB | 1x3 FEMALE Right Angle PCB Solder |
| PM104FRAOSB | 1x4 FEMALE Right Angle PCB Solder |
| PM106FRAOSB | 1x6 FEMALE Right Angle PCB Solder |
| PM108FRAOSB | 1x8 FEMALE Right Angle PCB Solder |

### Bracket With Hole & Latch

| Part Number | Description                       |
|-------------|-----------------------------------|
| PM103FRALHB | 1x3 FEMALE Right Angle PCB Solder |
| PM104FRALHB | 1x4 FEMALE Right Angle PCB Solder |
| PM106FRALHB | 1x6 FEMALE Right Angle PCB Solder |
| PM108FRALHB | 1x8 FEMALE Right Angle PCB Solder |

### Bracket With Hole & No Latch

| Part Number | Description                       |
|-------------|-----------------------------------|
| PM103FRAOHB | 1x3 FEMALE Right Angle PCB Solder |
| PM104FRAOHB | 1x4 FEMALE Right Angle PCB Solder |
| PM106FRAOHB | 1x6 FEMALE Right Angle PCB Solder |
| PM108FRAOHB | 1x8 FEMALE Right Angle PCB Solder |

PCB contacts and mounting accessories are designed for a board thickness of 1.60mm (.063) with a contact protrusion of 2.10 (.083). Other contact lengths are available upon request.

## DIMENSIONS - mm(in.)

### 1 Row - PCB Straight Solder Connector



### 1 Row - PCB Hole Layout For Straight Solder Connector

| ROWS CONTACTS | A    |      | L1 |      | L2   |      |
|---------------|------|------|----|------|------|------|
|               | mm   | in.  | mm | in.  | mm   | in.  |
| 1 - 03        | 28.5 | 1.12 | 10 | 0.39 | 22.3 | 0.88 |
| 1 - 04        | 33.5 | 1.32 | 15 | 0.59 | 27.3 | 1.07 |
| 1 - 06        | 43.5 | 1.71 | 25 | 0.98 | 37.3 | 1.47 |
| 1 - 08        | 53.5 | 2.11 | 35 | 1.38 | 47.3 | 1.86 |



## ORDERING INFORMATION

### With Latch

| Part Number | Description                    |
|-------------|--------------------------------|
| PM103FBALOO | 1x3 FEMALE Straight PCB Solder |
| PM104FBALOO | 1x4 FEMALE Straight PCB Solder |
| PM106FBALOO | 1x6 FEMALE Straight PCB Solder |
| PM108FBALOO | 1x8 FEMALE Straight PCB Solder |

### Push On PCB Fastener & Latch

| Part Number | Description                    |
|-------------|--------------------------------|
| PM103FBALSP | 1x3 FEMALE Straight PCB Solder |
| PM104FBALSP | 1x4 FEMALE Straight PCB Solder |
| PM106FBALSP | 1x6 FEMALE Straight PCB Solder |
| PM108FBALSP | 1x8 FEMALE Straight PCB Solder |

### Self-tapping Screws For PCB Mount & Latch

| Part Number | Description                    |
|-------------|--------------------------------|
| PM103FBALST | 1x3 FEMALE Straight PCB Solder |
| PM104FBALST | 1x4 FEMALE Straight PCB Solder |
| PM106FBALST | 1x6 FEMALE Straight PCB Solder |
| PM108FBALST | 1x8 FEMALE Straight PCB Solder |

### No Latch

| Part Number | Description                    |
|-------------|--------------------------------|
| PM103FBAOOO | 1x3 FEMALE Straight PCB Solder |
| PM104FBAOOO | 1x4 FEMALE Straight PCB Solder |
| PM106FBAOOO | 1x6 FEMALE Straight PCB Solder |
| PM108FBAOOO | 1x8 FEMALE Straight PCB Solder |

### Push On PCB Fastener & No Latch

| Part Number | Description                    |
|-------------|--------------------------------|
| PM103FBAOSP | 1x3 FEMALE Straight PCB Solder |
| PM104FBAOSP | 1x4 FEMALE Straight PCB Solder |
| PM106FBAOSP | 1x6 FEMALE Straight PCB Solder |
| PM108FBAOSP | 1x8 FEMALE Straight PCB Solder |

### Self-tapping Screws For PCB Mount & No Latch

| Part Number | Description                    |
|-------------|--------------------------------|
| PM103FBAOST | 1x3 FEMALE Straight PCB Solder |
| PM104FBAOST | 1x4 FEMALE Straight PCB Solder |
| PM106FBAOST | 1x6 FEMALE Straight PCB Solder |
| PM108FBAOST | 1x8 FEMALE Straight PCB Solder |

PCB contacts and mounting accessories are designed for a board thickness of 1.60mm (.063) with a contact protrusion of 2.10 (.083).  
Other contact lengths are available upon request.

## X-ON Electronics

Largest Supplier of Electrical and Electronic Components

*Click to view similar products for [Heavy Duty Power Connectors](#) category:*

*Click to view products by [Anderson Power Products](#) manufacturer:*

Other Similar products are found below :

[1424439](#) [1424438](#) [09330062652](#) [2-8675P1](#) [605601-1](#) [6340G1](#) [6341G1](#) [6360G1](#) [6373G1](#) [6374g2](#) [6396G1](#) [647757-1](#) [66394-4](#) [6643411-1](#)  
[6646058-2](#) [6646137-1](#) [6646138-1](#) [6646348-1](#) [6646479-1](#) [6646608-1](#) [6646786-1](#) [6646940-1](#) [6651091-1](#) [6651525-1](#) [6651529-1](#) [6651778-1](#)  
[6651788-1](#) [696465-1](#) [696475-1](#) [73000005059](#) [73000005349](#) [73000005642](#) [73080255059](#) [73080965046](#) [765-15-0080A](#) [765-16-0080B](#)  
[789.700-44](#) [789.700-54](#) [80-1010](#) [80-9](#) [827381-1](#) [829992-1](#) [902-77-02113](#) [PL00U-301-10D10](#) [PM103MOOLOO](#) [PM16S1620S32-50](#)  
[PM212MOOLOO](#) [PM309FOOLOO](#) [PM324FOOLCH](#) [PMHPAF11S03](#)