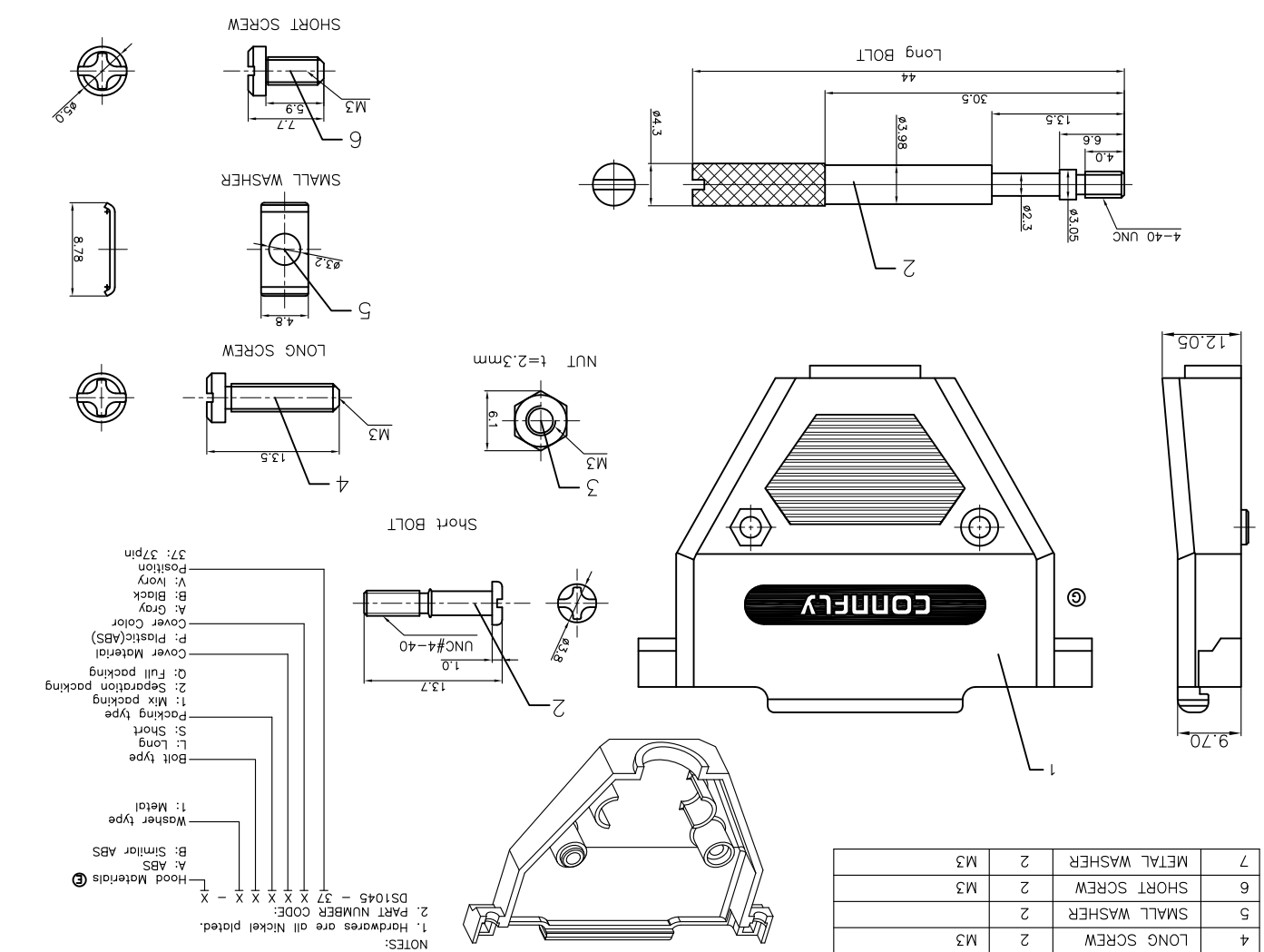


BOM LIST

ITEM	PART NAME	Q'ty	NOTES
1	PLASTIC HOOD	2	SEE P/N
2	SHORT BOLT	2	#4-40
3	NUT	2	M3
4	LONG SCREW	2	M3
5	SMALL WASHER	2	M3
6	SHORT SCREW	2	M3
7	METAL WASHER	2	M3

GENERAL TOLERANCE		X.	±0.60
ANGLE TOLERANCE		.X	±0.38
		.XX	±0.25
		X.	±5.
		.X	±3.
		.XX	±2.

UNITS	mm	TITLE	D-SUB Plastic Hood 180°
SHEET SIZE	A4	SERIES	DS1045 SERIES
<b>CONFLY ELECTRONIC CO., LTD</b>			



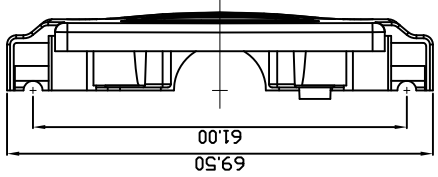
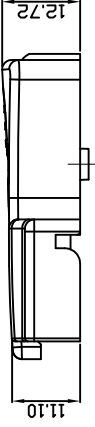
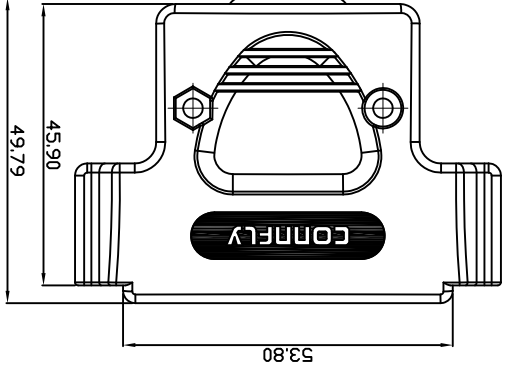
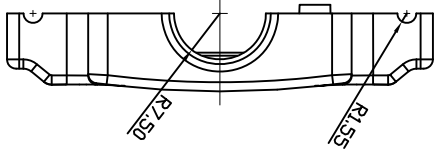
REV.	DESCRIPTION	DRAWN	CHECKED	APPROVED
A	NEW RELEASE	LJH 10/26/05'	~	LJC 10/26/05'
C	整理英制短螺丝尺寸	YCH 07/18/08'	~	LJC 07/18/08'
D	增加“全包装”类型	YCH 05/20/10'	~	LJC 05/20/10'
E	ADD P/N CODE	LJC 12/24/13'	~	LJC 12/24/13'
G	ADD LOGO	JLZ 12/17/14'	~	LJC 12/24/13'

NOTES:  
 1. Hardwares are all Nickel plated.  
 2. PART NUMBER CODE: DS1045 - 37 X X X X X - X

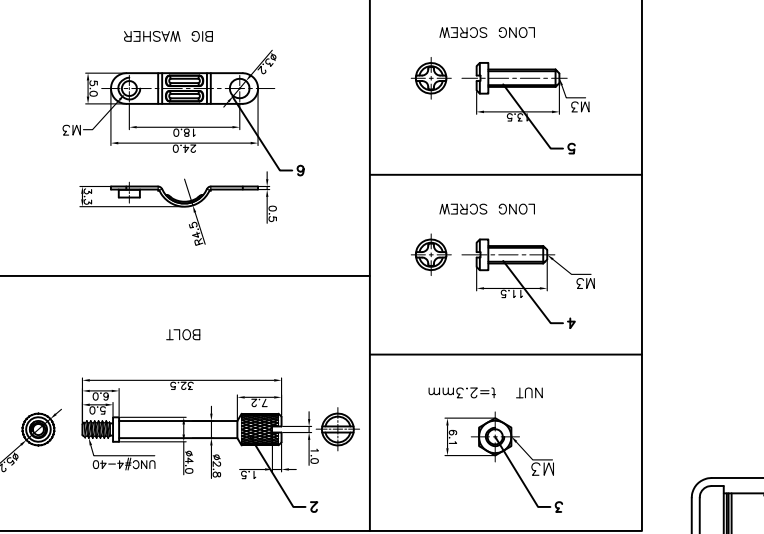
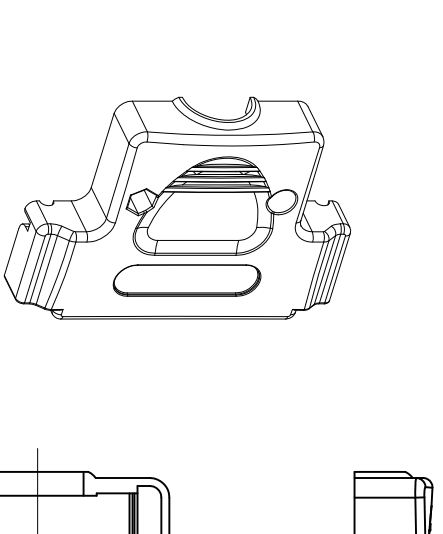
- ① Hood Materials
- A: ABS
- B: Similar ABS
- 1: Metal
- Washer type
- Bolt type
- L: Long
- S: Short
- Packing type
- 1: Mix packing
- 2: Separation packing
- Q: Full packing
- Cover Material
- P: Plastic(ABS)
- Cover Color
- A: Gray
- B: Ivory
- V: Ivory
- Position
- 37: 37pin

ITEM	PART NAME	Q'ty	NOTES
1	PLASTIC HOOD	2	SEE P/N
2	BOLT	2	#4-40
3	NUT	2	
4	M3*10 SCREW	2	
5	M3*12 SCREW	2	
6	BIG WASHER	2	M3

BOM LIST



GENERAL TOLERANCE		X.	±0.60
ANGLE TOLERANCE		X.	±5.
DRAWING TYPE		CUSTOMER	
SCALE		1:1	SHEET 1 OF 1
DRAWING NO.		C-DS1045-50XXX-X-D	



REV.	DESCRIPTION	DRAWN	CHECKED	APPROVED	
A	NEW RELEASE	YCH	05/24/11'	LJC	05/24/11'
B	ADD P/N CODE	LJC	12/24/13'	LJC	12/24/13'
C	Arrange Drawing	JLZ	10/09/14'	LJC	10/09/14'
D	ADD LOGO	JLZ	12/17/14'		

NOTES:  
 1. Hardwares are all Nickel plated.  
 2. PART NUMBER CODE:  
 DS1045 - 50 X X X - X  
 Hood Materials:  
 A: ABS  
 B: Similar ABS  
 Packing type  
 1: Mix packing  
 2: Separation packing  
 Cover Color  
 A: Gray  
 B: Black  
 Cover Material  
 P: Plastic(ABS)  
 Position  
 50: 50pin

UNITS		mm
SHEET SIZE		A4
SERIES		DS1045 SERIES
PROJECTION		1st Angle
TITLE		D-SUB Plastic Hood 180°
50 Positions		


**晨翔电子有限公司**  
**CONFLY® CONFLY ELECTRONIC CO., LTD**

## X-ON Electronics

Largest Supplier of Electrical and Electronic Components

*Click to view similar products for [D-Sub Standard Connectors](#) category:*

*Click to view products by [Connfly](#) manufacturer:*

Other Similar products are found below :

[DCM37S732N](#) [DAM15P500](#) [DEV09S364GTLF](#) [DEM09P032N](#) [DDM50P732N](#) [DAM15S332N](#) [173109-2218](#) [173109-2466](#) [173109-2436](#)  
[173109-2435](#) [56F706-005-LI](#) [56F711-015](#) [015-0341-000](#) [015-0372-008](#) [015-8544-011](#) [017041-0005](#) [020419-0104](#) [012-0515-000](#) [012-9507-](#)  
[034](#) [012-9507-114](#) [012-9534-001](#) [020745-0008](#) [609-25P](#) [M24308/2-23Z](#) [M243082310F](#) [M243082410F](#) [M243082411F](#) [M24308/4-21](#)  
[CT1A18-11PSA206](#) [CT1N36-5SC](#) [CT2-16S-17PS](#) [CT2-20-15PCAU](#) [CT2-24-12PS](#) [CT2-24-28PSF127A206](#) [CT2-32-9PC](#) [CT6F9767-14-4-](#)  
[14S-5PC](#) [CT6FA10SL-4PS](#) [CT7-18-10SC](#) [CT7-18-10SCAU](#) [CT7-18-12SCAU](#) [CT7-18-1PC](#) [CT7-18-1PCAU](#) [CT7-18-21SCAU](#) [M83513/01-](#)  
[FC](#) [M83723/76W24619 L/C](#) [M85049/48-3-2F](#) [69001-865](#) [6STD09PCM99B70X](#) [6STD09SCM99B30X](#) [6STD09SCT99S40X](#)