

Condensatori elettrolitici per avviamento motori monofase serie 4.12.80

Single phase motor starting electrolytic capacitors series 4.12.80



I condensatori elettrolitici vengono normalmente impiegati nei motori monofase ad induzione per aumentare il valore della coppia d'avviamento. Si richiede che tale avviamento avvenga in una frazione di secondo o al massimo di qualche secondo e con l'apporto di una elevata potenza reattiva.

Il condensatore elettrolitico, per le dimensioni ridotte e gli elevati valori di capacità, è il condensatore ideale per questo tipo di servizio.

Naturalmente una volta esaurita la fase di avviamento, il condensatore deve essere scollegato dal circuito.

L'elemento capacitivo è realizzato con fogli di alluminio «formato» e separati da uno strato di carta impregnata di elettrolita; le custodie sono stampate in materiale termoplastico, i terminali sono del tipo a saldare ed a innesto.

Electrolytic capacitors are normally employed in single-phase induction motors in order to increase the value of their starting torque.

It is necessary that such starting should take place in a fraction of a second or at the most in a few seconds and with the contribution of an high reactive power.

Because of its reduced size, high capacitance value, the electrolytic capacitor is the suitable capacitor for this type of application.

Of course, once the motor has been started, the capacitor must be disconnected from the circuit.

The capacitive element is made of aluminium foils «treated» and separated by a leaf of impregnated paper as the electrolyte. Cases moulded in thermoplastic material, terminals tinned soldering and flat plug type.

Serie standard per usi generali / Standard duty series for general application

Capacità Capacitance μF	110V ~		125V ~		165V ~		220V ~		250V ~		280V ~		330V ~	
	C min C max Cn. (Toll.)	Dim. Codice Part number 4.12.80.y.xxx	Dim. Codice Part number 4.12.80.y.xxx	Dim. Codice Part number 4.12.80.y.xxx	Dim. Codice Part number 4.12.80.y.xxx	Dim. Codice Part number 4.12.80.y.xxx	Dim. Codice Part number 4.12.80.y.xxx	Dim. Codice Part number 4.12.80.y.xxx	Dim. Codice Part number 4.12.80.y.xxx	Dim. Codice Part number 4.12.80.y.xxx	Dim. Codice Part number 4.12.80.y.xxx	Dim. Codice Part number 4.12.80.y.xxx	Dim. Codice Part number 4.12.80.y.xxx	Dim. Codice Part number 4.12.80.y.xxx
21÷25	A	4.12.80.y.201	A	4.12.80.y.251	A	4.12.80.y.301	A	4.12.80.y.351	A	4.12.80.y.401	A	4.12.80.y.501	A	4.12.80.y.451
25÷30	»	.202	»	.252	»	.302	»	.352	»	.402	»	.502	»	.452
30÷36	»	.203	»	.253	»	.303	»	.353	»	.403	»	.503	»	.453
36÷43	»	.204	»	.254	»	.304	»	.354	»	.404	»	.504	»	.464
43÷52	»	.205	»	.255	»	.305	»	.355	»	.405	»	.505	»	.472
47÷56	»	.206	»	.256	»	.306	»	.356	»	.406	»	.506	B	* .456
53÷64	»	.207	»	.257	»	.307	»	.357	»	.418	»	.523	»	* .457
64÷77	»	.208	»	.258	»	.308	»	.370	»	.427	B	* .508	»	* .458
72÷86	»	.209	»	.259	»	.309	»	.376	B	* .409	»	* .509	»	* .459
88÷106	»	.210	»	.260	»	.310	B	* .360	»	* .410	»	* .510	»	.465
108÷130	»	.211	»	.261	»	.311	»	* .361	»	* .411	»	* .518	C	.461
124÷149	»	.212	»	.262	»	.334	»	* .362	»	* .419	»	.533	»	.462
130÷156	»	.213	»	.263	»	.335	»	* .371	»	* .420	»	.534	»	.463
145÷174	»	.214	»	.264	»	.336	»	* .372	»	.421	»	.535	»	.469
161÷193	»	.215	»	.265	B	* .315	»	* .373	»	.422	C	.515	»	.468
189÷227	»	.216	»	.266	»	* .316	»	.377	»	.424	»	.520	»	.466
216÷260	»	.217	»	.267	»	* .317	»	.378	C	.417	»	»	»	»
233÷280	»	.218	»	.268	»	* .318	C	.368	»	.423	»	»	»	»
243÷292	»	.219	»	.275	»	* .319	»	.369	»	.428	»	»	»	»
270÷324	»	.227	B	* .270	»	* .337	»	.375	»	»	»	»	»	»
324÷389	B	* .221	»	* .271	»	* .338	»	»	»	»	»	»	»	»
340÷408	»	* .222	»	* .272	»	.339	»	»	»	»	»	»	»	»
378÷454	»	* .223	»	* .273	»	.340	»	»	»	»	»	»	»	»
400÷480	»	* .224	»	* .274	C	.333	»	»	»	»	»	»	»	»
430÷516	»	* .225	»	* .276	»	»	»	»	»	»	»	»	»	»
460÷552	»	* .226	»	* .284	»	»	»	»	»	»	»	»	»	»
550÷650	»	* .228	»	.285	»	»	»	»	»	»	»	»	»	»

* Disponibile anche in dimensioni D / Also available in D dimensions

Serie speciale per impieghi industriali / Heavy duty series for industrial applications

Omologati / Approved

Temperature class: - 20 + 60°C

VDE



IMQ



EN 60 252-2

E192559

Capacità Capacitance μF	250 V ~		330 V ~	
	DIM.	Codice / Part number 4.12.80.y.xxx	DIM.	Codice / Part number 4.12.80.y.xxx
24 ± 10%	A	4.12.80.y.107	A	4.12.80.y.121
48 ± 10%	»	.112	»	.133
56 ± 10%	»	.109	B	* .101
59 ± 10%	»	.110	»	* .102
71 ± 10%	»	.105	»	* .124
80 ± 10%	B	* .114	»	* .126
98 ± 10%	»	* .106	»	.134
120 ± 10%	»	* .119	C	.165
140 ± 10%	»	* .117	»	.120

Dimensioni
Dimensions

A = 36,5 x 68,5 mm
 B = 45,5 x 84 mm
 C = 52 x 105 mm
 D = 38 x 89 mm

CARATTERISTICHE TECNICHE

Tolleranza di capacità : $\pm 10\%$
 Rivestimento : Custodia stampata in materiale termoplastico autoestinguente
 Terminali : A saldare o Faston 6,3 mm doppi
 Dielettrico armature : Foglio di alluminio inciso
 Applicazioni : Avviamento motori monofase
 Temperatura di lavoro : $-20^{\circ}\text{C} + 55^{\circ}\text{C}$
 VDE: $-20^{\circ}\text{C} + 60^{\circ}\text{C}$
 Fattore di dissipazione : Tipico 6% - Massimo 10%
 Ciclo nominale di funzionamento : 3'/1.7% :3s ON/3 min OFF (N=20 inserzioni-ora della durata $t=3''$: N.t = 60)
 Estensione del ciclo di funzionamento : Questi condensatori possono sopportare cicli di funzionamento più gravosi del ciclo nominale della serie. Per temperature inferiori alla temperatura di lavoro il prodotto N.t può essere moltiplicato per i fattori sottoindicati:

Temp. ambiente	55°C	45°C	35°C	25°C	15°C
Fattore	1	1.25	1.5	1.75	2

TECHNICAL CHARACTERISTIC

Capacitance tolerance : $\pm 10\%$
 Protection : Moulded thermoplastic self-extinguishing
 Terminals : Tinned soldering or 6.3 mm double tags
 Construction : Etched aluminium foil
 Applications : Starting of single phase motor
 Operating temperature range : $-20^{\circ}\text{C} + 55^{\circ}\text{C}$
 VDE: $-20^{\circ}\text{C} + 60^{\circ}\text{C}$
 Dissipation factor : Typical 6% - Maximum 10%
 Duty cycle : 3'/1.7% :3s ON/3 min OFF (N=20 hour application application time $t=3''$: N.t = 60)
 Extension of duty cycle : These capacitors withstand heavier duty cycles than the rated one. For the below temperature operating, the product N.t can be multiplied by the following factors:

Room temperature	55°C	45°C	35°C	25°C	15°C
Factor	1	1.25	1.5	1.75	2

Realizzazioni standard / Standard Models

D cond	P	H	E
36,5	16	68,5	1,75
45,5	16	84	2,55
52	16	105	5,55
38	13	89	0

Fig. 1 Terminali a saldare
Fig. 1 Soldering terminals

Fig. 2 Terminali faston 6,3 mm doppi
Fig. 2 Double 6.3 mm terminals

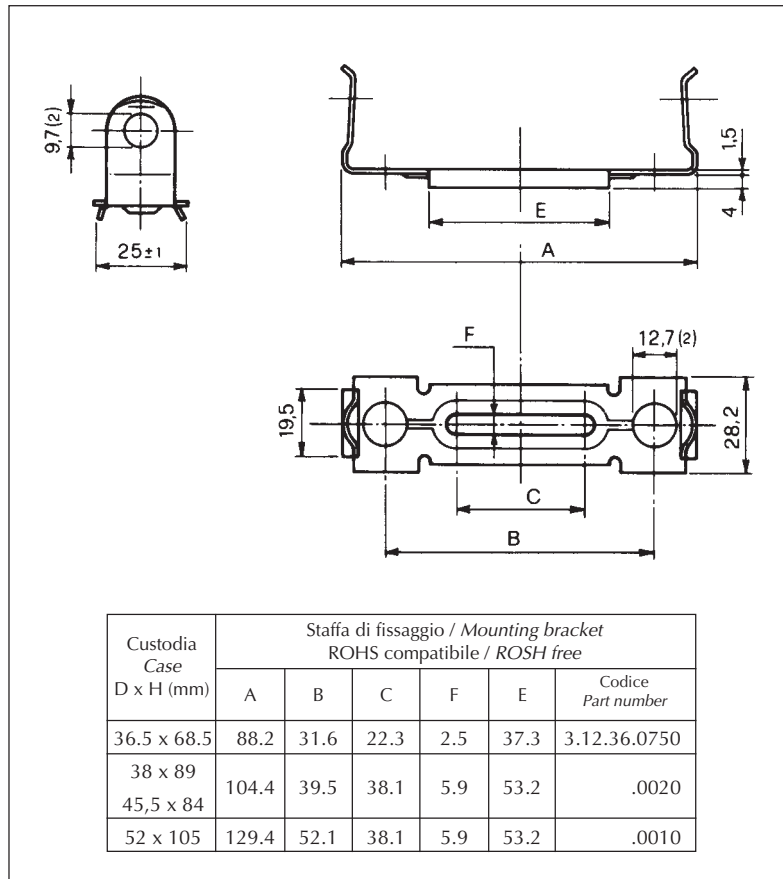
Fig. 3 Terminali faston 6,3 mm tripli
Fig. 3 Triple 6.3 mm terminals

Accessori y Accessories y

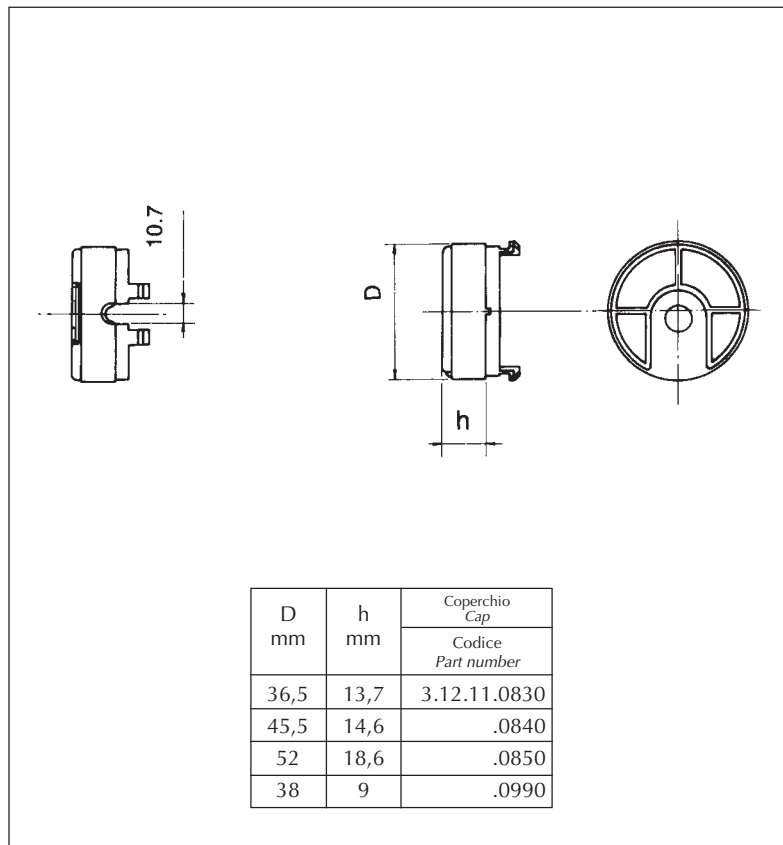
Fig.	Descrizione Description	Serie / Series 4.12.80	
		Senza codolo Without stud	Con codolo With stud
1	Terminali a saldare Soldering terminals	0	1
2	Faston 6,3 mm. doppio 6,3 mm. double tag	2	3

A richiesta disponibili resistenze da 15÷39 Kohm, 1 watt / Resistor 15÷39 Kohm, 1 watt is mounted on request

Staffa di fissaggio / *Mounting bracket*



Coperchio di protezione / *Protective cap*



X-ON Electronics

Largest Supplier of Electrical and Electronic Components

Click to view similar products for [Motor Start Capacitors & Motor Run Capacitors](#) category:

Click to view products by [Ducati Energia](#) manufacturer:

Other Similar products are found below :

[SFS37S30-5K400E-F](#) [SFT44S45-5K491E-F](#) [I170V525J-B00](#) [870CG35800AA2J](#) [878AF24600AA1J](#) [MKSP-6P 4UF 450V B](#) [MKSP-6P 5UF 450V B](#) [MKSP-6P 8UF 450V B](#) [I150V468K-G1](#) [I150V510K-G1](#) [I150V530K-C1](#) [I150V540K-H1](#) [I150V560K-C1](#) [I150V560K-G1](#) [I150V620K-G1](#) [I150V640K-G1](#) [I150V645K-B1](#) [I150V660K-C1](#) [I15KV530K-B](#) [I15KV530K-D](#) [I15KV580K-D](#) [I15KV610K-B](#) [I15KV612K-D](#) [I15KV640K-B](#) [I15KV640K-D](#) [I18UV525I-A1 -5%](#) [C274AC34200AA0J](#) [C274ACF5150WA0J](#) [CBB60A-12/450](#) [CBB60A-1.5/450](#) [CBB60A-16/450](#) [CBB60A-20/450](#) [CBB60A-6/450](#) [CBB60E-40/450](#) [CBB60E-50/450](#) [CBB60E-6/450](#) [CBB60E-80/450](#) [CBB60F-8/450](#) [CBB60G-16/450](#) [CBB60G-6/450](#) [CBB60H-10/450](#) [CBB60H-14/450](#) [CBB60H-30/450](#) [C274ACF4300LF0J](#) [I150V515K-G1](#) [CBB60E-16/450](#) [CBB60A-80/450](#) [C274AC35150AA0J](#) [C276CCF5160LG0J](#) [CBB60E-30/450](#)