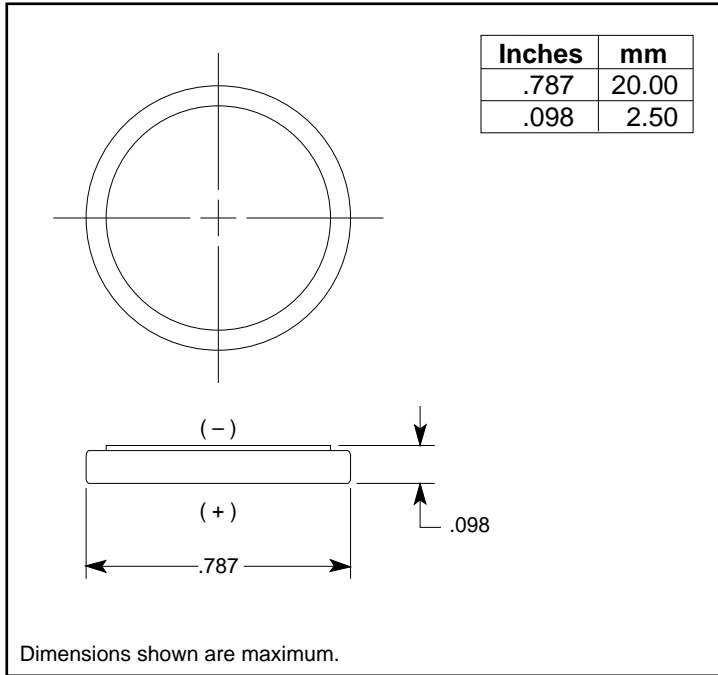
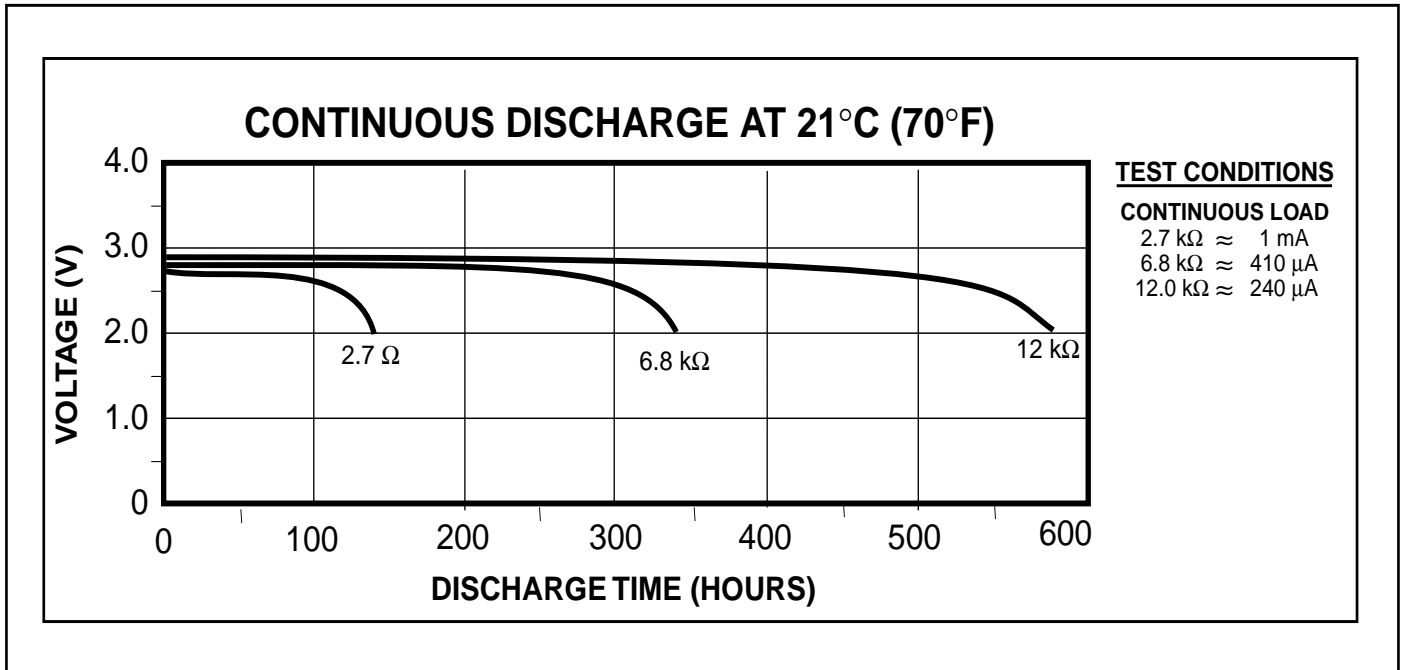


## Lithium/Manganese Dioxide Battery



### SPECIFICATIONS

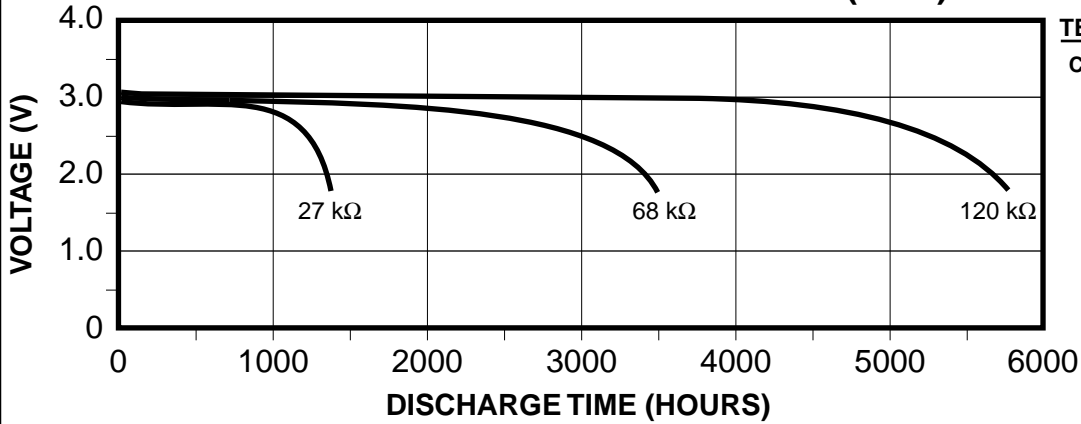
<b>Nominal Voltage:</b>	3.0 V
<b>Typical Voltage:</b>	3.1 – 3.3 V
<b>Rated Capacity:</b>	150 mAh on 15 k $\Omega$ to 2.0 V at 21°C (70°F)
<b>Average Weight:</b>	0.078 oz. (2.2 g)
<b>Volume:</b>	0.048 in. <sup>3</sup> (0.79 cm <sup>3</sup> )
<b>Terminals:</b>	Flat, PC Pins
<b>Operating Temp. Range:</b>	-40°C to 60°C (-40°F to 140°F)
<b>NEDA/ANSI:</b>	5003LC
<b>IEC:</b>	—



## DURACELL INC.

New Products and Technology Division  
Berkshire Corporate Park  
Bethel, CT 06801 U.S.A.  
Telephone: Toll-free 1-800-431-2656  
Outside North America: 203-791-3274  
Facsimile: 203-791-3273  
Internet: [www.duracellnpt.com](http://www.duracellnpt.com)

**CONTINUOUS DISCHARGE AT 21°C (70°F)**

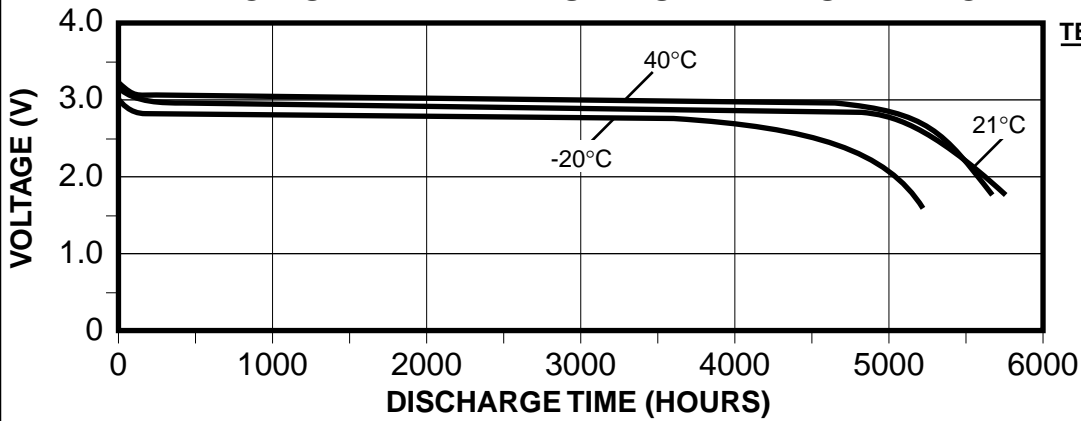


**TEST CONDITIONS**

**CONTINUOUS LOAD**

27 kΩ ≈ 105 μA  
 68 kΩ ≈ 42 μA  
 120 kΩ ≈ 25 μA

**EFFECT OF TEMPERATURE ON PERFORMANCE**

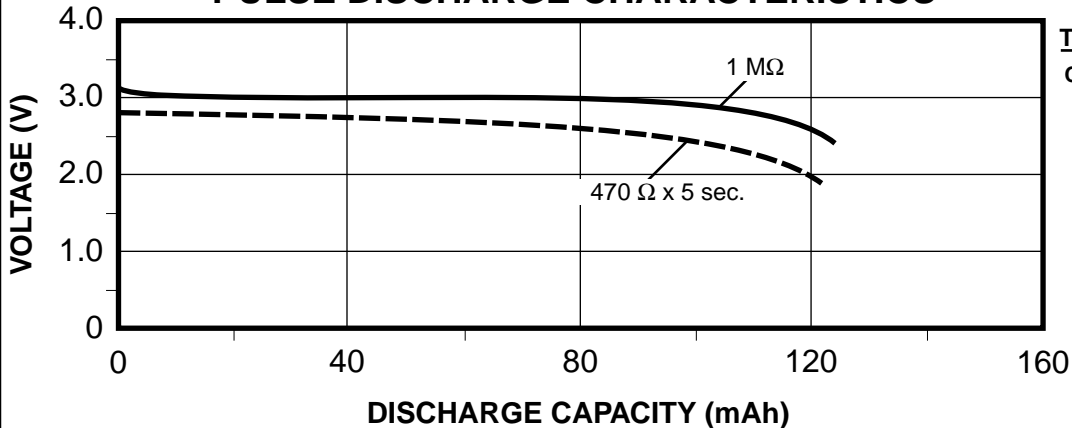


**TEST CONDITIONS**

**LOAD DRAIN**  
 120 kΩ ≈ 25 μA

**TEMPERATURE**  
 -20°C (-4°F)  
 21°C (70°F)  
 40°C (104°F)

**PULSE DISCHARGE CHARACTERISTICS**



**TEST CONDITIONS**

**CONTINUOUS LOAD**

1 MΩ ≈ 3 μA

**PULSE LOAD**

470 Ω ≈ 5.5 mA

**DURATION:**

5 seconds

**PULSES:**

one

**TEMPERATURE**

21°C (70°F)

## **X-ON Electronics**

Largest Supplier of Electrical and Electronic Components

*Click to view similar products for [Coin Cell Battery](#) category:*

Other Similar products are found below :

[449915B](#) [RJD3048HPPV30M](#) [NI-MH-B80H-3A3H](#) [413675G](#) [095668F](#) [458980A](#)