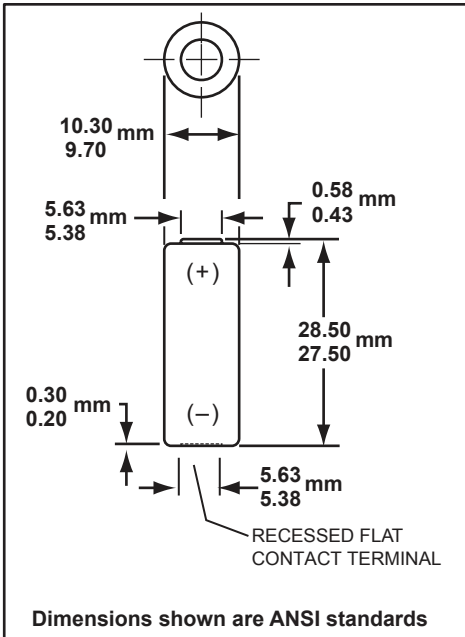




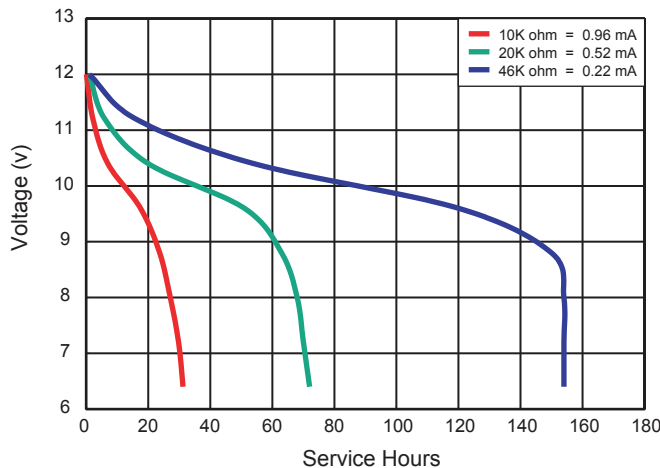
## Alkaline Manganese Dioxide Battery

### Specifications

<b>Classification:</b>	Cylindrical Alkaline
<b>Chemical System:</b>	Alkaline-Manganese Dioxide (Zn/MnO <sub>2</sub> )
<b>Designation:</b>	NEDEA- 1811A, IEC-3LR50
<b>Nominal Voltage:</b>	12V
<b>Closed Circuit Voltage:</b>	9.5V (min) (Load resistor 400Ω at 20°C for 0.1 s)
<b>Operating Temp:</b>	-20°C to 54°C (-4°F to 130°F)
<b>Storage Temp:</b>	5°C to 30°C
<b>Typical Weight:</b>	7.98 g
<b>Typical Volume:</b>	2.3 cubic centimeters (.14 cubic inch)
<b>Typical Impedance:</b>	22 ohm @ 1kHz
<b>Freshness Guarantee:</b>	5 years @ 20°C



TYPICAL DISCHARGE CHARACTERISTICS AT 21°C (70°F)



# DURACELL®

BATTERIES

Berkshire Corporate Park  
 Bethel, CT 06801 U.S.A.  
 Telephone: Toll free 1.800.544.5454  
 Internet: [www.duracell.com](http://www.duracell.com)

**\*Delivered capacity is dependent on the applied load, intermittent usage, operating temperature and cut off voltage. Please refer to the charts and discharge data for examples of energy/service life that the battery will provide for various conditions.**

Information and contents in this data sheet are for reference purposes only. They do not constitute any warranty and representation is subject to change without notice. For most current information and further details, please contact Duracell.

## X-ON Electronics

Largest Supplier of Electrical and Electronic Components

*Click to view similar products for [duracell](#) manufacturer:*

Other Similar products are found below :

[LR20/D/MN1300\(K2\)](#) [MN2400 TURBO](#) [LR03/AAA/MN2400\(K4\)](#) [LR14-MN1400-C K2](#) [MN2400B4](#) [15035031 M3 C 2PK](#) [10 ET](#) [675 ET](#)  
[13 ET](#) [312 ET](#) [LR20/D \(K2\) PLUS POWER](#) [LR3/AAA/MN2400\(K8\) ECONOMY PACK](#) [LR6/AA/MN1500\(K2\) ECONOMY PACK](#)  
[LR6/AA/MN1500\(K8\) ECONOMY PACK](#) [MN11 E11A](#) [CEF27 2XAA 2XAAA](#) [MN1500 ULTRA POWER](#) [75044300](#) [PC1400](#) [MN2400](#)  
[CEF14 2XAA 2XAAA](#) [ACCU 9V1](#) [5000394002883](#) [MN1604](#) [DRS5965](#) [DRC5906](#) [LR43](#) [15035025 M3 PP3](#) [PC1604](#) [DRS5964](#) [DRO5941](#)  
[DRC5908](#) [5000394019126](#) [DRP6116](#) [5000394105522](#) [DRG5945](#) [DRC5902](#) [ACCU D2](#) [5000394082991](#) [DRP5953](#) [DRN5924](#)  
[5000394020092](#) [DRO5940](#) [DRC5904](#) [DRC5907](#) [DR5030A](#) [DRG5944](#) [DRP5954](#) [DRACUSB3-EU](#) [DRC5909](#)