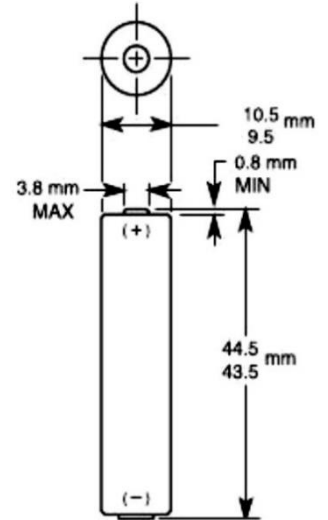


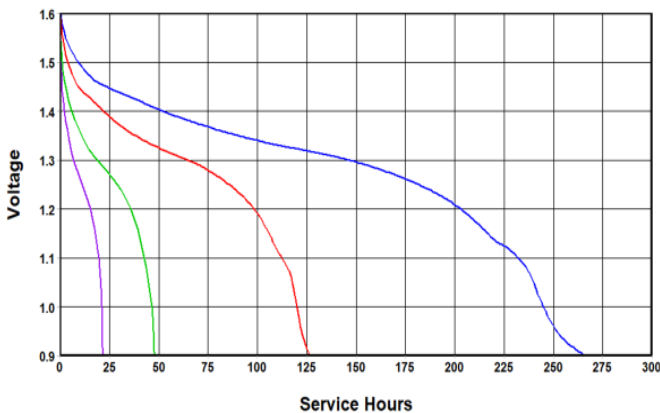


Nominal voltage	1.5 V
Impedance	156 m-ohm @ 1 kHz
Typical weight	11 g (0.4 oz)
Typical volume	3.5 cm <sup>3</sup> (0.2 in <sup>3</sup> )
Terminals	Flat
Storage temperature range	5°C to 30°C (41°F to 86°F)
Operating temperature range	-20°C to 54°C (-4°F to 130°F)
Designation	ANSI: 24A IEC: LR06

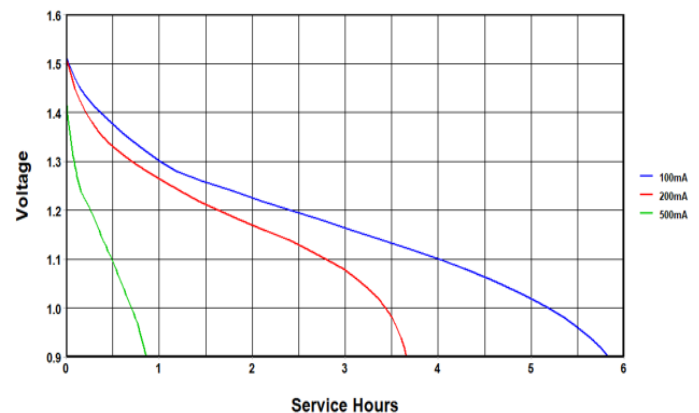


Dimensions shown are IEC standards

Coppertop AAA - Constant Current



Coppertop AAA - Constant Current

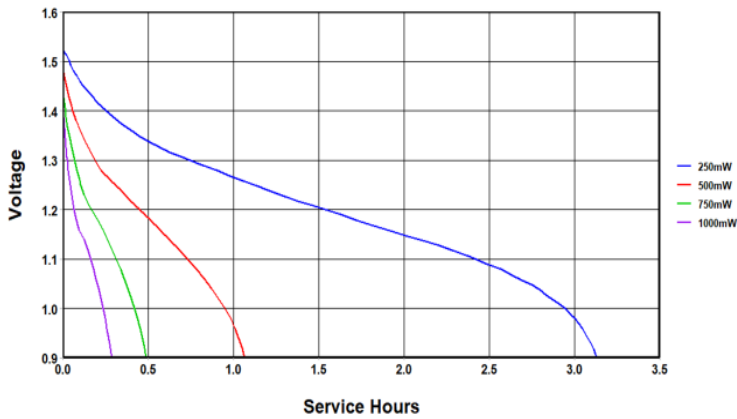


## DURACELL®

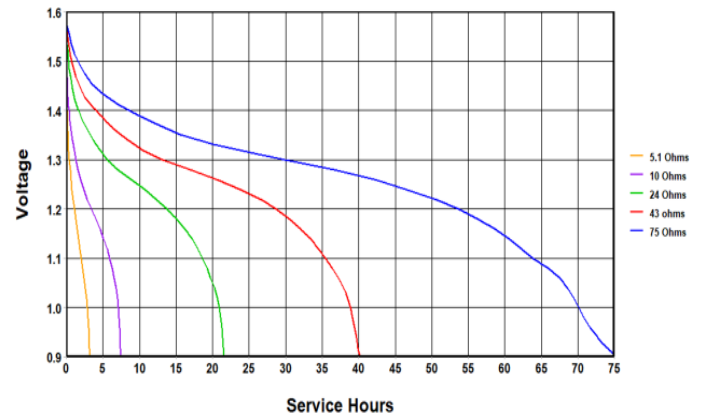
A Berkshire Hathaway Company  
 Berkshire Corporate Park  
 Bethel, CT. 06801 U.S.A.  
 Telephone: Toll-free 1-800-544-5454  
 www.duracell.com

Delivered capacity is dependent on the applied load, operating temperature and cut-off voltage. Please refer to the charts and discharge data shown for examples of the energy/service life that the battery will provide for various load conditions.

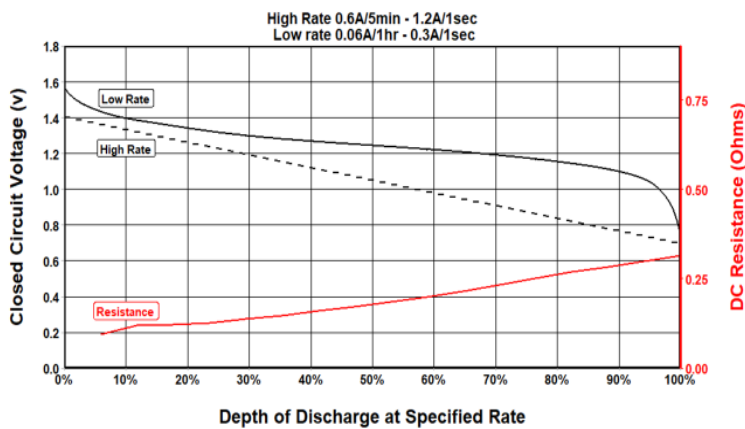
Coppertop AAA - Constant Power



Coppertop AAA - Constant Resistance



Typical Duracell AAA Coppertop Cell Impedance



# DURACELL<sup>®</sup>

A Berkshire Hathaway Company  
 Berkshire Corporate Park  
 Bethel, CT. 06801 U.S.A.  
 Telephone: Toll-free 1-800-544-5454  
 www.duracell.com

Delivered capacity is dependent on the applied load, operating temperature and cut-off voltage. Please refer to the charts and discharge data shown for examples of the energy/service life that the battery will provide for various load conditions.

## **X-ON Electronics**

Largest Supplier of Electrical and Electronic Components

*Click to view similar products for [Consumer Battery & Photo Battery](#) category:*

*Click to view products by [Duracell](#) manufacturer:*

Other Similar products are found below :

[6LR61AD/B](#) [2909830](#) [CR-2PA/1B](#) [CR-123APA/1B](#) [LR6XWA/3SB](#) [MN1300](#) [LR14XWA/BB](#) [LR20XWA/B](#) [MN1604](#) [MN2400](#)  
[LR03XWA/B](#) [LR14XWA/B](#) [LR6XWA/B](#) [PC1604](#)