

CMOS Programmable Digital Output Correlators

4 x 32 Bit, 20MHz
1 x 128 Bit, 20MHz

The TMC2220 20MHz, TTL compatible CMOS correlator is composed of four separate 1 x 32 correlator modules. The correlation scores of the four modules are weighted, combined and output on two separate parallel, three-state ports.

Each module contains a 32-bit serial data register, a 32-bit serial reference preload register, a 32-bit parallel reference latch and a 32-bit parallel mask latch. Correlation is performed by 32 exclusive-NOR (XNOR) gates. Each XNOR gate compares one (single bit) data word against a corresponding (single bit) reference word. While correlation is being performed between the data and the present reference, the next reference pattern may be preloaded through one of two multiplexed input ports. Shorter sampling windows and bipolar correlation are also supported. Each module outputs a 6-bit binary correlation score. Either an unsigned (range 0 through 32) or bipolar (range -16 through +16) representation may be selected. The outputs of each pair of correlator modules is added, with user-selected weighting factors, producing intermediate correlation scores which can be combined or output directly to the main or auxiliary output ports.

Since the four modules can be cascaded serially or in parallel, the TMC2220 supports numerous single and dual channel applications involving 1, 2 or 4-bit wide data and window lengths up to 32, 64, 96 or 128 bits. Multiple devices can be combined to support large correlation operations.

The TMC2221 combines the four 32-bit modules in series for a fixed channel configuration of 1-bit by 128. The reduced complexity and package size of the TMC2221 is ideal for applications requiring less versatility than the TMC2220. By making use of the mask function, any size single channel length of up to 128 bits is possible.

With the TMC2221, the reference word is serially loaded through the single two-input multiplexed reference port of the first correlator module. Although the configuration is fixed, the reference loading process and basic operation for each module is similar to that of the TMC2220. The outputs are summed with equal weighting, and the result is output through the single 8-bit output port. Unsigned magnitude or two's complement (bipolar) output score may be selected.

Features

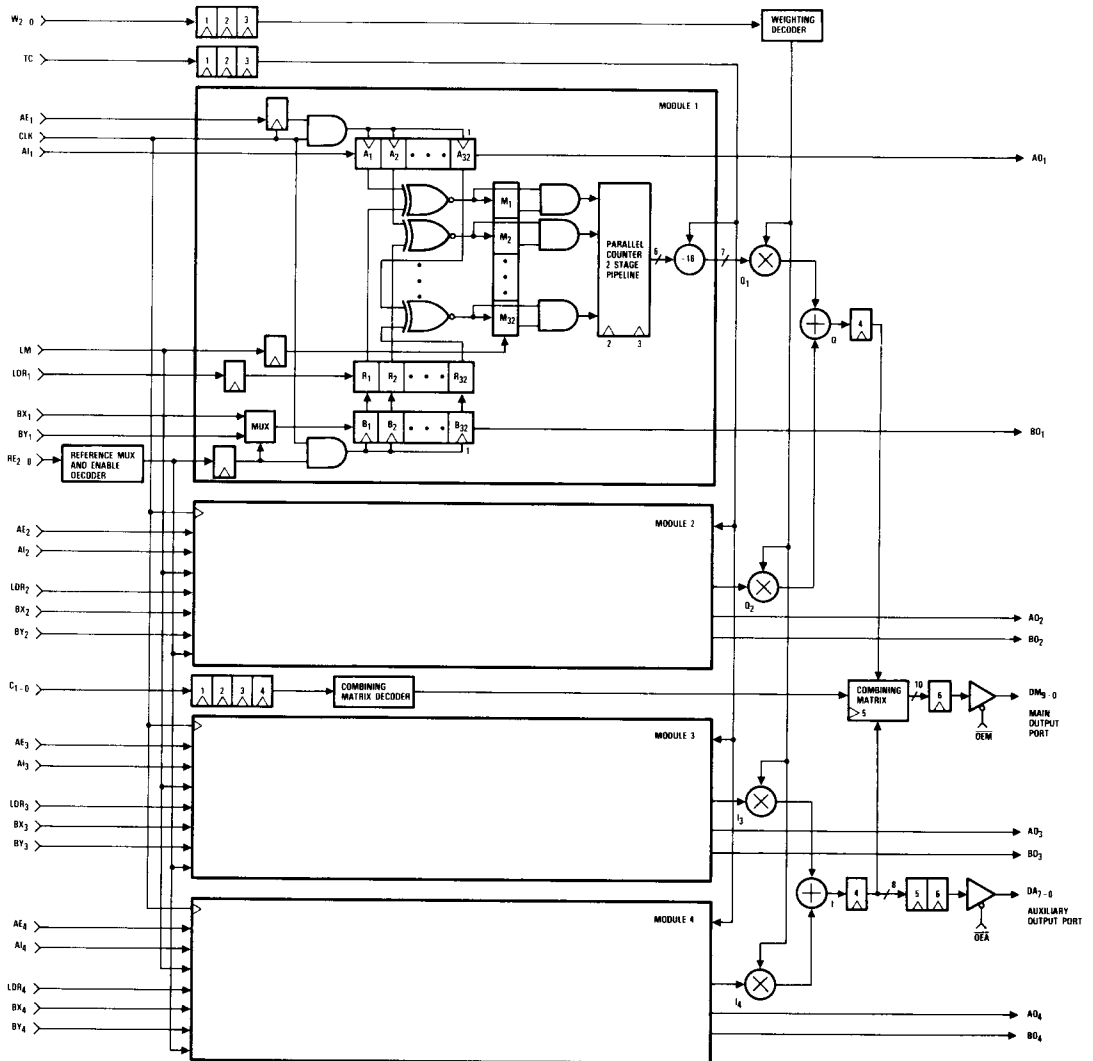
- 20MHz Continuous Correlation Rate
- Fully Programmable Masking
- Two's Complement Or Unsigned Magnitude Correlation Score
- User-Programmable Reference Load Multiplexing
- Channel Weighting And Output Formatting (TMC2220)
- Multi-Bit, Dual-Channel Or Non-Coherent (Quadrature) Correlation (TMC2220)
- Single +5V Power Supply
- Low Power CMOS Construction
- Three-State TTL Compatible Outputs
- TMC2220 Available In 68 Pin Grid Array And 69 Pin Plastic PGA Packages
- TMC2221 Available In 28 Pin CERDIP

Applications

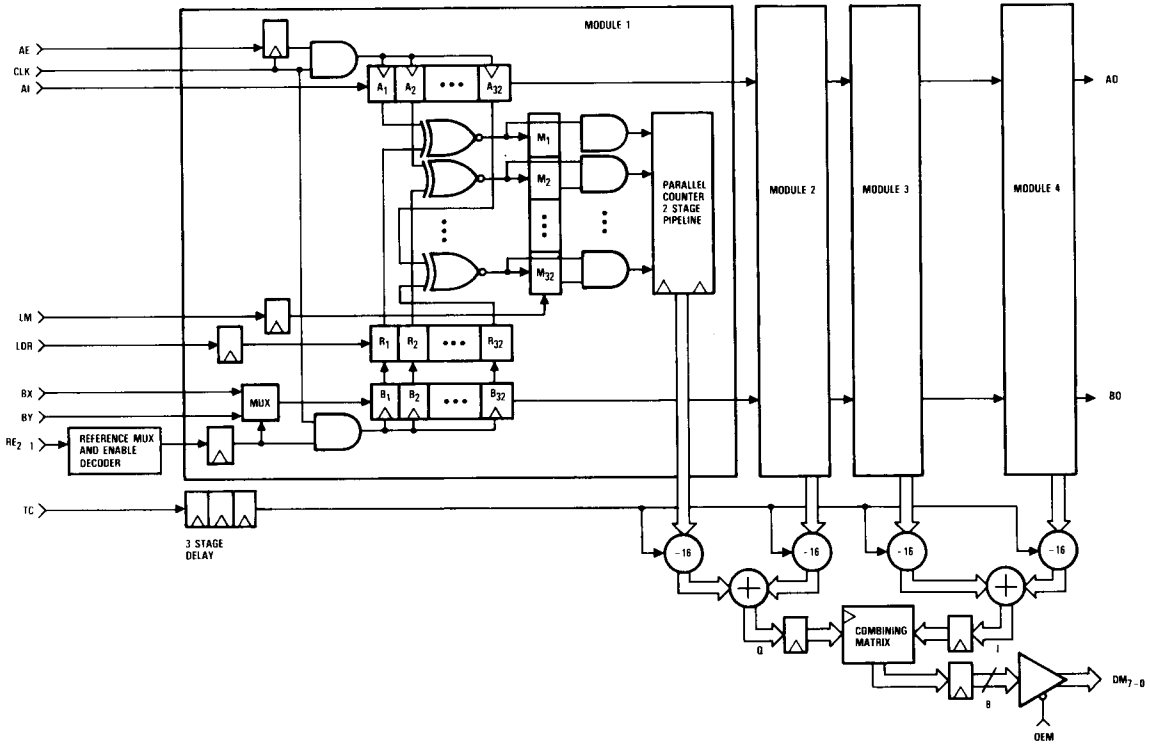
- Signal Detection
- Radar Signature Recognition
- Secure Communications
- Robotics/Automated Assembly
- Automatic Test Equipment
- Electro-Optical Navigation
- Pattern And Character Recognition
- Assembly Line Inspection



TMC2220 Functional Block Diagram



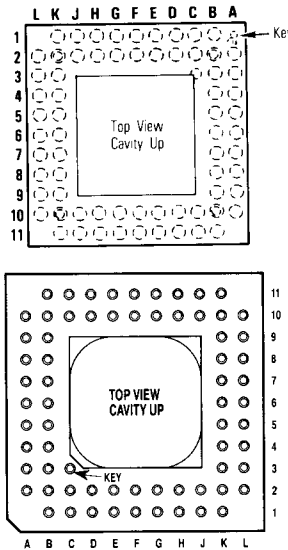
Functional Block Diagram



TMC2220 Pin Assignments

68 Pin Grid Array – G8 Package
 69 Pin Plastic Pin Grid Array – H8 Package 1

| Pin | Name | Pin | Name | Pin | Name | Pin | Name |
|-----|-----------------|-----|------------------|-----|-----------------|-----|------------------|
| B2 | DA ₁ | K2 | GND | K10 | RE ₂ | B10 | LDR ₄ |
| B1 | DA ₀ | L2 | V _{DD} | K11 | AI ₂ | A10 | AE ₄ |
| C2 | DM ₀ | K3 | GND | J10 | BY ₂ | B9 | LDR ₃ |
| C1 | DM ₁ | L3 | OE _M | J11 | BX ₂ | A9 | AE ₃ |
| D2 | DM ₂ | K4 | W ₂ | H10 | AI ₁ | B8 | OE _A |
| D1 | DM ₃ | L4 | W ₁ | H11 | BY ₁ | A8 | V _{DD} |
| E2 | DM ₄ | K5 | W ₀ | G10 | BX ₁ | B7 | AO ₄ |
| E1 | DM ₅ | L5 | C ₁ | G11 | GND | A7 | BO ₄ |
| F2 | V _{DD} | K6 | C ₀ | F10 | CLK | B6 | AO ₃ |
| F1 | DM ₆ | L6 | TC | F11 | GND | A6 | BO ₃ |
| G2 | DM ₇ | K7 | LM | E10 | BY ₃ | B5 | DA ₇ |
| G1 | DM ₈ | L7 | LDR ₁ | E11 | BX ₃ | A5 | DA ₆ |
| H2 | DM ₉ | K8 | AE ₁ | D10 | AI ₃ | B4 | DA ₅ |
| H1 | BO ₁ | L8 | LDR ₂ | D11 | BY ₄ | A4 | DA ₄ |
| J2 | AO ₁ | K9 | AE ₂ | C10 | BX ₄ | B3 | DA ₃ |
| J1 | BO ₂ | L9 | RE ₀ | C11 | AI ₄ | A3 | DA ₂ |
| K1 | AO ₂ | L10 | RE ₁ | B11 | V _{DD} | A2 | GND |



TMC2221 Pin Assignments

| | | | |
|-----------------|----|----|-----------------|
| LDR | 1 | 28 | LM |
| AE | 2 | 27 | TC |
| RE ₁ | 3 | 26 | OE _M |
| GND | 4 | 25 | GND |
| RE ₂ | 5 | 24 | GND |
| AI | 6 | 23 | DM ₇ |
| GND | 7 | 22 | V _{DD} |
| CLK | 8 | 21 | DM ₆ |
| BY | 9 | 20 | DM ₅ |
| BX | 10 | 19 | DM ₄ |
| V _{DD} | 11 | 18 | DM ₃ |
| AO | 12 | 17 | DM ₂ |
| BO | 13 | 16 | DM ₁ |
| NC | 14 | 15 | DM ₀ |

28 Pin Cerdip – B6 Package

Note: 1. Pin D4 is a mechanical orientation pin on the H8 package at manufacturer's option.

21044A

Functional Description

General Information

The TMC2220 consists of four independent 1 x 32 correlator channels with weighted correlation scores which are combined and output on the two output ports (main and auxiliary). By taking advantage of the instruction set and I/O structure, the TMC2220 can be adapted to a wide variety of applications.

The TMC2221 consists of the four 1 x 32 correlator modules cascaded internally for a single 1 x 128 correlator. The outputs of each module are given a unity weighting, summed and placed on the output port.

Correlator Channel Modules

Each of the four modules ($i = 1$ to 4) contains two 32-bit serial synchronous shift registers, A_i (data) and B_i (reference preload); two 32-bit parallel latches, R_i (reference) and M_i (mask); 32 exclusive-NOR gates; 32 AND gates; a 32-bit parallel binary counter with a 6-bit unsigned output and a defeatable half-scale (-16) subtractor with a 7-bit two's complement output.

Whenever a given A_i or B_i register is enabled, the next rising edge of the clock loads the value at the corresponding A_i or BX_i/BY_i input port into the first cell of the register, and shifts the contents of each cell to the next, overwriting the contents of the last cell. These serial-in, parallel-tapped registers form the first of six registers which account for the six internal delays. After an output buffer delay t_D , the new contents of the last cell of A_i and B_i become available at the outputs AO_i and BO_i respectively. These outputs are used for cascading multiple devices. In addition, the B_i input multiplexer selects which of two input ports, BX_i or BY_i , is to be used on that cycle.

The reference latch R_i tracks the contents of B_i when control LDR_i was HIGH on the previous cycle and holds when LDR_i was LOW. A HIGH on LDR_i transfers the contents of B_i in parallel into R_i on the next clock cycle where correlation takes place. When LDR_i is held HIGH, R_i is transparent, enabling direct correlation between A_i and B_i .

Each of the 32 outputs of R_i is correlated against the corresponding tap of A_i by an XNOR gate whose output is connected to both the masking AND gate and the masking latch M_i .

Each M_i tracks if LM was HIGH on the previous cycle and holds if LM was LOW. When LM is held HIGH, all M_i latches are transparent and the output of each XNOR gate is sent to

both inputs of the corresponding AND gate to prevent masking or disabling from occurring. A LOW on LM loads the next unmasked correlation pattern (from the XNOR gates) into each M_i . Wherever the latch holds a logic one, normal correlation is enabled; wherever it is a logic zero, correlation is masked by the AND gate.

A 32-bit parallel counter encodes the number of logic ones emerging from the AND gates as a 6-bit binary number between 0 and 32 (100000). The clock drives the two pipeline registers in the counter (the second and third registers in the six register pipeline).

The 6-bit unsigned binary output of each parallel counter then enters a half-scale subtractor where it passes unchanged if the pipelined control TC is LOW and is reduced by 16 if TC is HIGH. If TC is HIGH, the range of correlation scores becomes -16 through +16 where +16 denotes a perfect match between the contents of A_i and those of R_i with no masking. A score of -16 denotes that no unmasked data bit matches the corresponding reference bit (anti-correlation). The TC control is pipelined by 3 registers, such that it is aligned with new data entering the A_i or B_i register.

Weighting and Merging Circuitry

On the TMC2220, the 7-bit two's complement output of each correlator module (Q_1, Q_2, I_3, I_4) is multiplied by a factor of 0, 1, 2, 3, 4 or 5 according to controls W_{2-0} . The outputs of each pair of multipliers is then added and the results Q and I are loaded into the fourth pipeline register.

Following two additional pipeline delays from the fifth and sixth registers, correlation sum I is available on the TMC2220 at the 8-bit auxiliary output port, DA_{7-0} , if the buffer is enabled ($\overline{OE}A = \text{LOW}$).

Under controls C_{1-0} , the TMC2220 combiner blends Q and I into a single final correlation score which is sent to the 10-bit main output port, DM_{9-0} , if \overline{OEM} is LOW. The combiner pipeline register stage 5 and the main output register stage 6 are balanced by the auxiliary port double output register. In the simplest mode, the combiner outputs correlation sum Q permitting the TMC2220 to be used in two separate correlator channels. In this application, the combined results from modules 1 and 2 emerge through DM_{9-0} while the results from modules 3 and 4 emerge through DA_{7-0} . In the three remaining modes, the output at the main port will reflect the correlations of all four modules.

In the second mode, the combiner outputs the unweighted sum, $Q + I$. In the third mode, it outputs the weighted sum, $Q + I/2$, for single channel binary applications. In the fourth mode, the combiner extracts the absolute values of Q and I and adds the greater magnitude value to one half of the lesser value. This final mode is an approximation of the Pythagorean vector magnitude formula:

$$M = (\sqrt{x^2 + y^2})^{1/2}$$

The TMC2220 contains a total of five pipeline registers plus the data and reference preload shift registers making the total delay six clock cycles. Instructions and data paths are pipelined so the instructions presented on a given clock cycle apply to the value entering registers A_i and B_j . Instructions RE, LM, LDR and AE, all of which enable registers or latches, must be set one cycle early (see timing diagram).

For the TMC2221, the correlation score of each module is passed unchanged (TC = LOW) or reduced by sixteen (TC = HIGH). Each module score is given a unity weighting then sent to the combining matrix where the four scores are added and output on the 8-bit data bus if \overline{OEM} is LOW.

In magnitude mode (TC = LOW) and masking disabled, a perfect match between the data and reference will produce a correlation score of 128 (10000000_B) and correlation score of 0 shall indicate no matches (anti-correlation). In two's complement mode (TC = HIGH), perfect correlation will produce a score of 64 (01000000_B) and anti-correlation shall have an output of -64 (11000000_B). A total of five register delays plus the input register cause the result to be available on the sixth clock cycle after the loading of the input data.

Signal Definitions

Power

V_{DD} , GND The TMC2220/TMC2221 operate from a single +5V power supply. All power and ground pins must be connected.

Inputs

AI_{1-4} Each data input is a single-bit serial input to the A_i register of each correlator module.

BX_{1-4} , BY_{1-4} The main, BX_i , and alternate, BY_i , reference preload inputs to the B_j register of each correlator module are selected by controls RE_{2-0} .

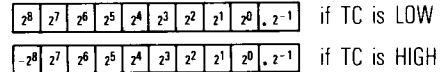
Outputs

AO_{1-4} Each cascade data output is a single-bit serial output from the A_i register of each correlator module.

BO_{1-4} Each cascade reference preload output is a single-bit serial output from the B_j register of each correlator module.

DM_{9-0} The 10-bit main correlation output (TMC2220 only) is a combination of the four module output scores, Q_1 , Q_2 , I_3 , I_4 , which are dependent on the W_{2-0} weighted adder and C_{1-0} combining matrix controls. The main output port is enabled by \overline{OEM} .

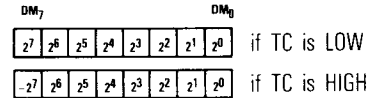
The TMC2220 10-bit output format is:



The TMC2221 has an 8-bit correlation output DM_{7-0} which always outputs the sum:

$$Q_1 + Q_2 + I_3 + I_4$$

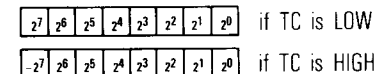
Where each term is either unsigned magnitude or magnitude minus 16 depending on the TC control. The TMC2221 8-bit output format is:



DA_{7-0}

(TMC2220 only) The 8-bit auxiliary correlation output is the sum of two module output scores, I_3 and I_4 , which are dependent on the W_{2-0} weighted adder controls. The auxiliary output port is enabled by \overline{OEA} .

The 8-bit binary output format is:



Clocks

CLK The clock for A_i data and B_i reference preload registers can be toggled at up to 20MHz. All registers are strobed on the rising edge of CLK and dependent on the registered enable controls, AE_i for the A_i registers, and RE_{2-0} for the B_i registers. The pipeline delay registers for the controls, W_{2-0} , C_{1-0} (TMC2220 only) and TC are also strobed on the rising edge of CLK.

Controls

AE_{1-4} The clock enable for the four A_i data registers is a registered, active HIGH control. When AE_i is LOW on the previous cycle, no shifting of data occurs on A_i . AE_i is read on the rising edge of CLK, thus the shifting of data in A_i will occur on the next rising edge of CLK.

C_{1-0} (TMC2220 only) These pipelined instructions select the function to be executed by the combining matrix and output through the main output port, DM_{9-0} .

LDR_{1-4} The Load Reference control copies the contents of register B_i into latch R_i for correlation. If LDR_i was LOW on the previous clock cycle, the present contents of the latch remain in R_i . If LDR_i was HIGH, R_i is transparent and the B_i are values used in the current correlation.

LM The Load Mask control allows the user to mask or select "no compare" bit positions in each channel. Inputs shifted into A_i and B_i produce a correlation pattern as the desired mask. Control LM must be HIGH on the previous cycle to track and LOW to store the pattern in the mask

latches M_i . If no masking is required, LM is kept HIGH, making M_i transparent.

\overline{OE}_A (TMC2220 only) The asynchronous output enable for the auxiliary output port, DA_{7-0} , is an active LOW control. When \overline{OE}_A is HIGH, the output is in a high-impedance state.

\overline{OE}_M The asynchronous output enable for the main output port, DM_{9-0} (DM_{7-0} on the TMC2221), is an active LOW control. When \overline{OE}_M is HIGH, the output is in a high-impedance state.

RE_{2-0} The encoded clock enable and load selector controls determine the various combinations of BX_i and BY_i reference inputs that may be selected for the four reference preload registers B_i . The B_i register clocks may also be selectively enabled. Like LDR, LM and AE_i , this control is delayed by one clock cycle. (RE_{2-1} used on the TMC2221 to select BX or BY.) See Table 1.

TC The Two's Complement control forces the outputs of the four correlator modules to be unipolar (0 to 32) or bipolar (-16 to +16). When TC is LOW, the outputs of the correlator modules are passed unchanged to the weighting circuitry. When TC is HIGH, 16 is subtracted from each correlator output which is then interpreted as a two's complement value.

W_{2-0} (TMC2220 only) The weighted adder controls determine the relative weightings of the four correlation module scores.

TMC2220 Package Interconnections

| Signal Type | Signal Name | Function | G8, H8 Package Pins |
|-------------|--------------------|------------------------------|--|
| Power | V _{DD} | Supply Voltage | F2, L2, B11, A8 |
| | GND | Ground | K2, K3, G11, F11, A2 |
| Inputs | A _{H1-4} | Data Input | H10, K11, D10, C11 |
| | BX ₁₋₄ | Main Reference Preload | G10, J11, E11, C10 |
| | BY ₁₋₄ | Alternate Reference Preload | H11, J10, E10, D11 |
| Outputs | AO ₁₋₄ | Data Output | J2, K1, B6, B7 |
| | BO ₁₋₄ | Reference Preload Output | H1, J1, A6, A7 |
| | DM _{g-0} | Main Port | H2, G1, G2, F1, E1, E2, D1, D2, C1, C2 |
| | DA ₇₋₀ | Auxiliary Port | B5, A5, B4, A4, B3, A3, B2, B1 |
| Clock | CLK | Master Clock | F10 |
| Controls | AE ₁₋₄ | Register Clock Enable | K8, K9, A9, A10 |
| | C ₁₋₀ | Combining Matrix | L5, K6 |
| | LDR ₁₋₄ | Reference Load | L7, L8, B9, B10 |
| | LM | Mask Load | K7 |
| | \overline{OEA} | Auxiliary Port Output Enable | B8 |
| | \overline{OEM} | Main Port Output Enable | L3 |
| | RE ₂₋₀ | Reference Load Select | K10, L10, L9 |
| | TC | Two's Complement | L6 |
| | W ₂₋₀ | Module Weighting Factor | K4, L4, K5 |



TMC2221 Package Interconnections

| Signal Type | Signal Name | Function | B6 Package |
|---------------|-------------------|-----------------------------|--------------------------------|
| Power | V _{DD} | Supply Voltage | 11, 22, |
| | GND | Ground | 4, 7, 24, 25 |
| Inputs | AI | Data Input | 6 |
| | BX | Main Reference Preload | 10 |
| | BY | Alternate Reference Preload | 9 |
| Outputs | AO | Data Output | 12 |
| | BO | Reference Preload Output | 13 |
| | DM ₇₋₀ | Main Port | 23, 21, 20, 19, 18, 17, 16, 15 |
| Clock | CLK | Master Clock | 8 |
| Controls | AE | Register Clock Enable | 2 |
| | LDR | Reference Load | 1 |
| | LM | Mask Load | 28 |
| | \overline{OEM} | Port Output Enable | 26 |
| | RE ₂₋₁ | Reference Load Select | 5, 3 |
| | TC | Two's Complement | 27 |
| No Connection | NC | | 14 |

Table 1. Reference Preload Register Input and Enable Operation

| RE _{i-0} Controls | Selected Reference Port (TMC2220) | | | | Selected Reference Port (TMC2221) |
|----------------------------|-----------------------------------|-----------------|-----------------|-----------------|-----------------------------------|
| | 1 | 2 | 3 | 4 | |
| 000 | Dis | Dis | Dis | Dis | Dis |
| 001 | Dis | Dis | Dis | BX ₄ | |
| 010 | Dis | Dis | BY ₃ | BX ₄ | BY |
| 011 | Dis | Dis | BY ₃ | BY ₄ | |
| 100 | BX ₁ | BX ₂ | BX ₃ | BX ₄ | BX |
| 101 | BY ₁ | BX ₂ | BX ₃ | BX ₄ | |
| 110 | BY ₁ | BX ₂ | BY ₃ | BX ₄ | BY |
| 111 | BY ₁ | BY ₂ | BY ₃ | BY ₄ | |

Notes:

1. Dis = B_i register disabled (hold mode).
2. LSB (RE₀) not used on the TMC2221.

Table 2. Module Weighting Factor Operation (TMC2220 Only)

| W _i Controls W ₂₋₀ | Internal Channel Configuration | |
|---|-----------------------------------|-----------------------------------|
| | Q | I |
| 000 | Q ₁ + Q ₂ | I ₃ + I ₄ |
| 001 | 3Q ₁ + Q ₂ | 3I ₃ + I ₄ |
| 010 | 4Q ₁ + Q ₂ | 4I ₃ + I ₄ |
| 011 | Q ₂ | I ₄ |
| 100 | Q ₁ | I ₃ |
| 101 | 3Q ₁ + 2Q ₂ | 3I ₃ + 2I ₄ |
| 110 | 4Q ₁ + 2Q ₂ | 4I ₃ + 2I ₄ |
| 111 | 5Q ₁ + 2Q ₂ | 5I ₃ + 2I ₄ |

Table 3. Combining Matrix Operation (TMC2220 Only)

| C _i Controls C ₁₋₀ | Main Output Port Function DM ₉₋₀ |
|---|--|
| | 00 |
| 01 | Q + I/2 |
| 10 | Q + I |
| 11 | Max (Q , I) + 1/2 Min (Q , I) ¹ |

Notes:

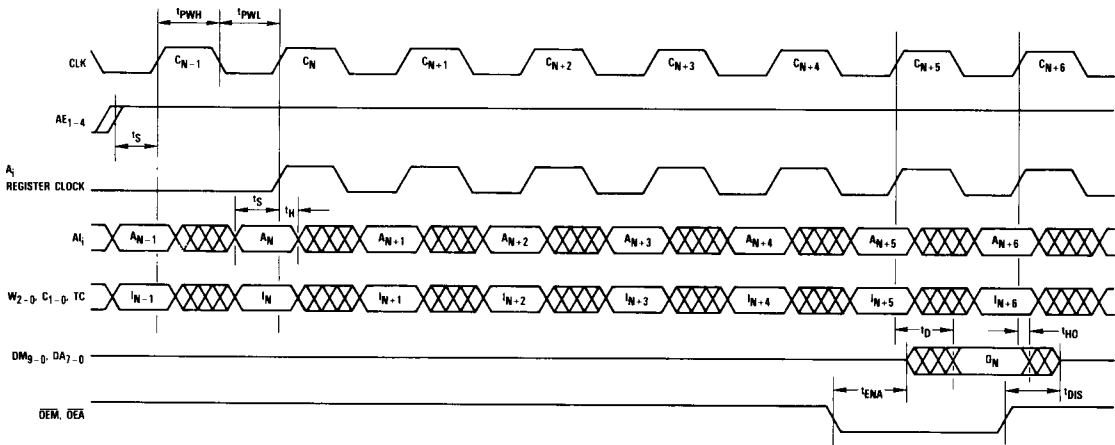
1. The larger magnitude value of Q or I plus one-half of the smaller magnitude value.
2. The TMC2221 always outputs the sum Q₁ + Q₂ + I₃ + I₄.

Sliding Correlation Timing

The TMC2220 and TMC2221 have a six register pipeline. There are registers for the input data and reference, parallel counter, weighting circuitry, combining matrix, and output. CLK is used to load all A_i, B_i and instruction pipeline registers. With the register controls enabled, a data or reference word is loaded into its respective A_i or B_i register on every rising edge of CLK. Data A_N enters register A_i on the rising edge of clock C_N. The reference latch is static if the previous LDR_i was LOW or tracks B_i if LDR_i was HIGH. If reference preload is not desired, holding control LDR_i HIGH makes latch R_i transparent and direct correlation between A_i and B_i occurs. Data is valid if present at the input for a setup time t_S before and a hold time t_H after the rising clock edge. Setup and hold time requirements also apply to instructions and controls, however, AE, LDR, LM and RE must be valid one cycle before taking effect.

Because of the six internal pipeline delays, the correlation score for a given set of A_i and B_i register contents appears at the output ports six clock cycles plus an output delay t_D later. When the main and auxiliary (TMC2220 only) output ports are enabled (OEM = LOW and OEA = LOW), the correlation score O_N of data window A_{N-31} through A_N is output after rising clock edge C_{N+5} (A_{N-127} through A_N on the TMC2221). Instructions TC, W and C are registered and pipelined so that the instructions will be aligned with the data. The instructions I_N (see timing diagram) which are loaded on rising clock edge C_N apply to a correlation between data and reference words N-31 (N-127) through N. Masking is assumed to be preset (previous LM = LOW) or unused (previous LM = HIGH). The same timing applies if the reference is shifting and data is fixed.

Figure 1. Sliding Correlation Timing



Reference Register Load Timing

The HIGH on LDR_i transfers the contents of B_i in parallel into R_i in the next clock period. R_i tracks B_i when control LDR_i is HIGH and holds when LDR_i is LOW. N rising edges of CLK are required to load N reference words into the reference preload register B_i . The rising edge of clock C_N loads reference word B_N so that B_i contains words B_{N-31} through B_N .

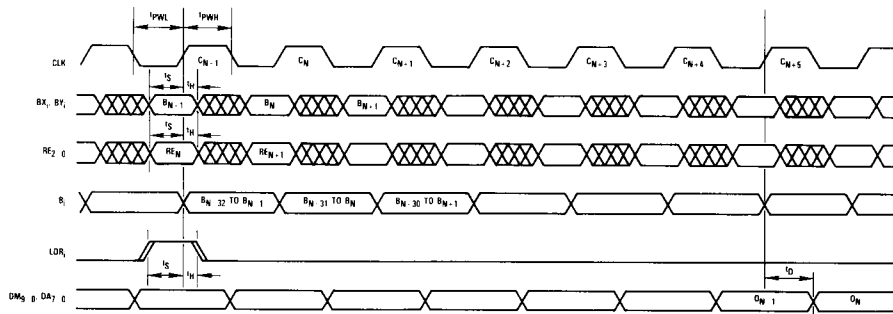
Figure 2 illustrates the LDR_i instruction timing to transfer reference window B_{N-31} through B_N into the reference latch. With this timing, correlation against the old reference pattern is preserved during the "LDR" clock cycle and that correlation against the new reference pattern B_{N-31} to B_N should commence immediately after the "LDR" clock cycle. The user must meet the normal input setup and hold time requirements and setup the instruction one clock cycle before the desired transfer.

A completely new reference can be loaded into latch R on every 32nd clock cycle. With the output ports enabled, the correlation score O_N (correlation between data A_{N-31} through A_N and reference B_{N-31} through B_N) is available an output delay t_D after the rising edge of clock C_{N+5} because of the six register pipeline.



Operation of the TMC2221 is similar to the operation described for the TMC2220 except the length of the reference word is 128 bits rather than 32. The reference register will therefore contain the pattern B_{N-127} through B_N , and correlation occurs between this reference and data A_{N-127} through A_N . A new reference word therefore requires 128 clock cycles to completely load the new value. With the output ports enabled, the correlation score O_N (correlation between data A_{N-127} through A_N and reference B_{N-127} through B_N) is available an output delay t_D after the rising edge of clock C_{N+5} .

Figure 2. Reference Latch Load Timing



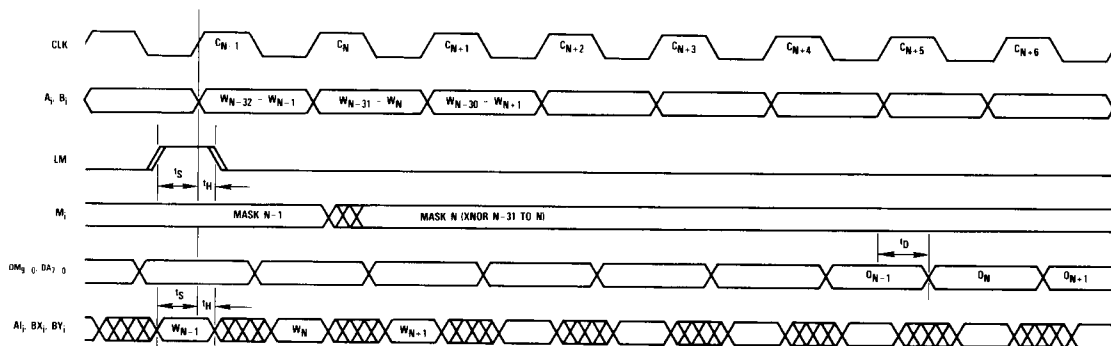
Mask Register Loading

Control LM latches a mask pattern into M_i which selectively disables word positions in each correlator module. Masking latch M_i tracks the XNOR output if, on the previous clock cycle, LM was HIGH and holds if LM was LOW. Figure 3 illustrates the TMC2220 LM timing to latch a mask generated by the exclusive NOR of A_{N-31} through A_N with R_{N-31} through R_N . LM must be set HIGH t_S before the rising edge of clock C_{N-1} to load the mask for A_{N-31} thru A_N . LM must be set LOW before the next rising edge of C_N to ensure words $N-31$ to N remain latched as the mask pattern. A completely new mask may be loaded on every 32nd clock cycle. However, to permit time for data and reference loading,

mask loading is generally limited to every 64th clock cycle. The first correlation score which reflects mask N is output t_D after the rising edge of clock cycle C_{N+6} .

Operation of the TMC2221 is similar that of the TMC2220 but requires 128 clock cycles to completely load a new mask pattern. To permit time to load new data and a new reference pattern once the mask is loaded, an additional 128 clock cycles is required. Therefore, mask loading is generally limited to every 256 clock cycles in the TMC2221. The mask pattern loaded will be the exclusive-NOR of A_{N-127} through A_N with R_{N-127} through R_N .

Figure 3. Masking Latch Load Timing



Applications Discussion

The TMC2220 architecture provides the flexibility for a number of configurations. The cascade outputs and the internal weighting and adder logic allow a single TMC2220 to be configured as four independent 32-bit correlators, independent 96-bit and 32-bit correlators, two independent 64-bit correlators, or as a single 128 x 1 correlator. The TMC2220 may also be cascaded serially or in parallel to increase the length or width of correlation.

To increase the correlation length in a single TMC2220 system, the cascade outputs of a module (AO_i, BO_i) can be connected to the inputs of the next module (AI_{i+1}, BI_{i+1}). When using this configuration, the input enables and load controls should be connected together. Figure 4 shows the configuration for a dual 64 x 1 correlation. In this application, the outputs of module 1 are connected to the inputs of module 2 and the outputs of module 3 are connected to the inputs of module 4. The weighting and combining logic is set for 1:1 weighting and the combining logic is set to output $Q_1 + Q_2$ on the main output DM_{9-0} , and $I_3 + I_4$ on the auxiliary output DA_{7-0} .

Figure 4. Dual 64 x 1 Configuration

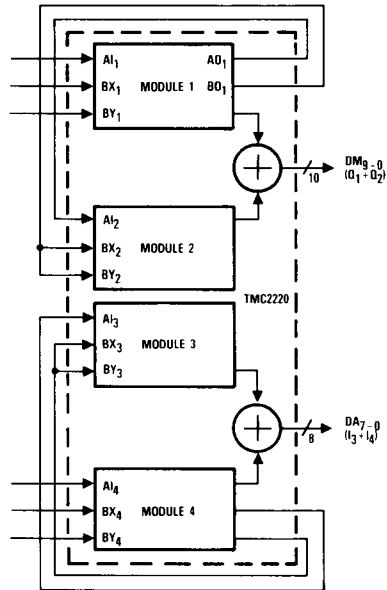


Figure 5. Cascading the TMC2220 for Extended-Length Correlation

Figure 5 shows an example of multi-bit correlation with extended length. This example shows 4-bit correlation with a length of 64-bits. The outputs of the two TMC2220s must be externally added to obtain the 64-bit correlation score. The weighting and combining of the module correlation scores should be set as required by the application.

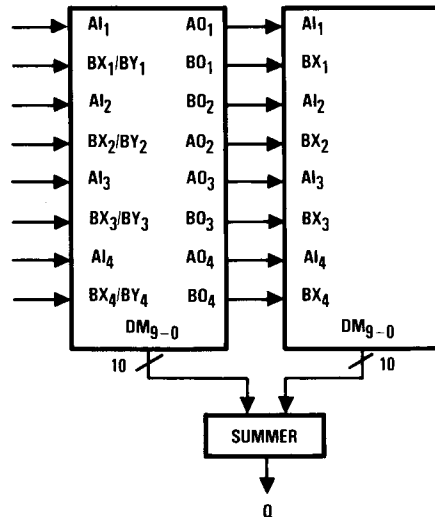


Figure 6. 8-Bit Correlation with the TMC2220

Figure 6 shows an example of 8-bit, two's complement correlation. Two TMC2220s are used in parallel and externally summed to obtain the properly weighted correlation score. To obtain a properly weighted correlation score, each bit of the output must be multiplied by an appropriate binary scaling factor. The 8-bit data input and reference are connected as shown. The weighting control of each TMC2220 is set for 4:1 weighting ($W_{2-0} = 010$). This multiplies the upper two bits of each TMC2220 by a factor of 4 (Q_1, I_3). The next step is to multiply the 2nd and 4th bits (Q_2, I_4) by a factor of 2. An equivalent operation is to divide the 1st and 3rd bits by 2. This operation is accomplished by setting the combining logic to output the sum $Q + I/2$ ($C_{1-0} = 01$). The final output of each TMC2220 will be equivalent to:

$$DM_{g-0} = (4 \times Q_1) + (2 \times I_3) + (1 \times Q_2) + (1/2 \times I_4)$$

Setting the weighting and combining controls as described will produce a correlation score with each bit properly weighted based on its 4-bit binary position. The final step is to multiply the correlation output of the most-significant TMC2220 (bits 7-4) by a factor of 16 then combine the outputs of the two TMC2220s. This is done using external adder circuitry. Multiplication is performed by simply shifting the output lines of the upper TMC2220 by four places at the input to the adder logic. The output of the summer, therefore, shall give the binary weighted correlation score of a quantized 8-bit input. The same circuit can be used with unsigned data if the inverter on the most-significant-bit of the reference input is omitted.

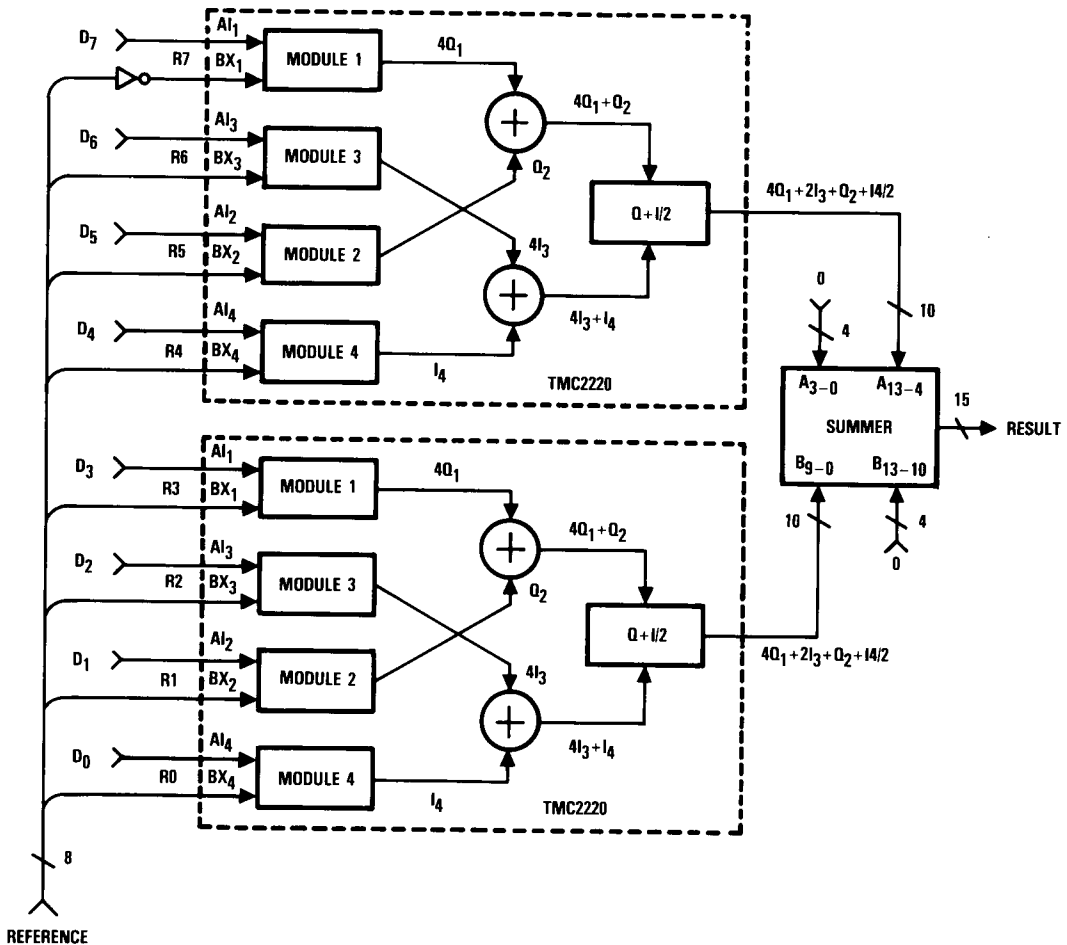
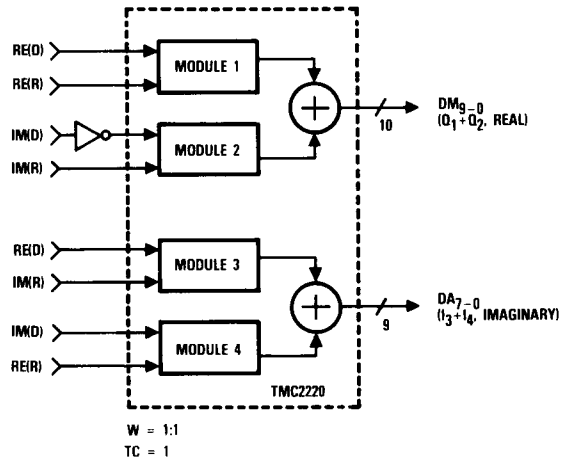


Figure 7. Full Complex Correlation with the TMC2220

Figure 7 is an example of full complex correlation. In this example, separate real and imaginary terms are multiplied and summed internally to provide a real and imaginary result. This method preserves the phase information of the input. Inputs are connected as shown in the figure. The imaginary term in $Im(D) \times Im(R)$ is negated (inverted) for proper sign in the summation. The TMC2220 is set for 1:1 ($Q_1 + Q_2, I_3 + I_4$) weighting, two's complement mode, and the combining control is set to output Q on the main output and I on the auxiliary output. All 32 internal taps are used.



A simple example would be to find a sine wave in a demodulated data stream. The references would be set to:

$$Re(R) = \cos(\omega t) \text{ and } Im(R) = \sin(\omega t)$$

where, ω is the modulation frequency. Each term is set to:

$$1 \text{ for positive and } 0 \text{ for negative}$$

The data inputs are set to:

$$Re(D) = data_{in} \times \cos(ft) \text{ and } Im(D) = data_{in} \times \sin(ft)$$

where, f is the mixer or carrier frequency.



Figure 8. Complex Correlation with Magnitude Result

Figure 8 is similar to full complex correlation, however, in this example the output is magnitude only. This application is used when the phase relationship is not required. The inputs are connected as in the previous example, however, rather than a full complex output, the outputs are combined internally to:

$$\text{Max}(|Q|, |I|) + 1/2 \text{Min}(|Q|, |I|)$$

($C1_0 = 11$) to obtain the approximate magnitude output. Multiplying the output by 15/16 will reduce the error in the magnitude approximation.

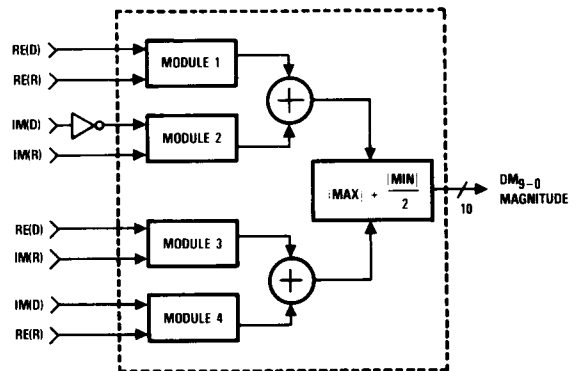


Figure 9. Cascading the TMC2221 for Extended-Length Correlation

The TMC2221 can be cascaded to implement correlations of more than 128-bits. Typically all clocks, reference inputs and enables are connected together and the A and B outputs of

preceding stages are connected to the respective inputs of subsequent stages. An external summer is required to generate the composite correlation score.

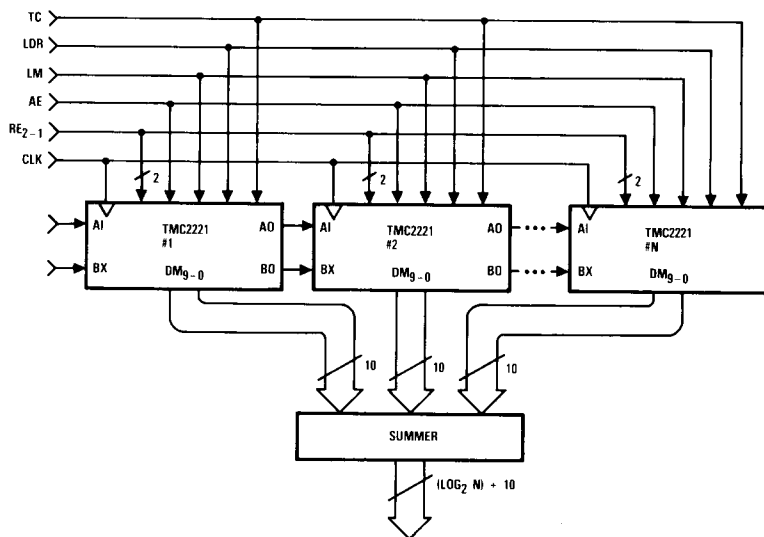


Figure 10. Multi-Bit x 1 Bit Correlation

The TMC2221 may also be used to compare multi-bit words with a single-bit reference. When this is done, the output of each TMC2221 must be appropriately weighted to the adder

circuitry. The weighting reflects the relative importance of the different bit positions. Weighting can normally be accomplished by simple bit shifts at the input to the summer.

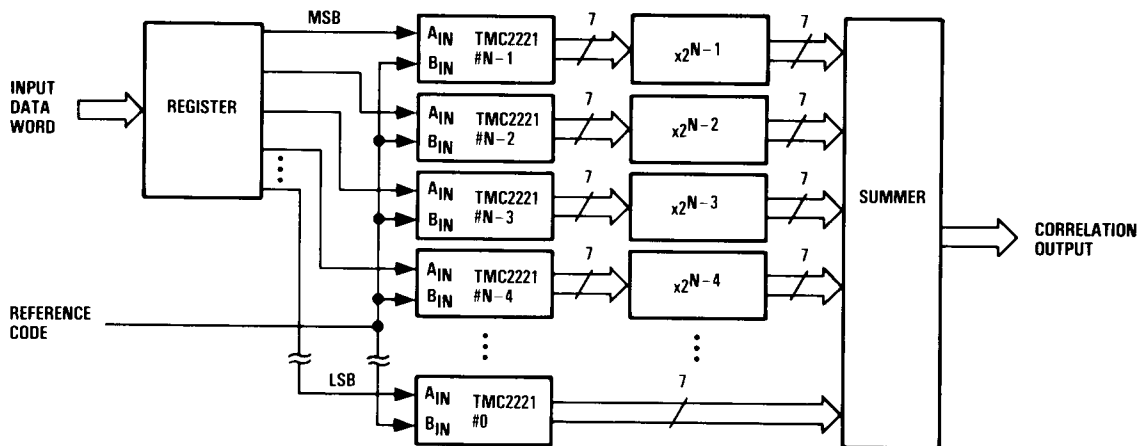


Figure 11. Equivalent Input Circuit

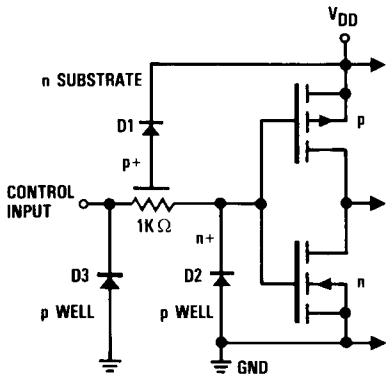


Figure 12. Equivalent Output Circuit

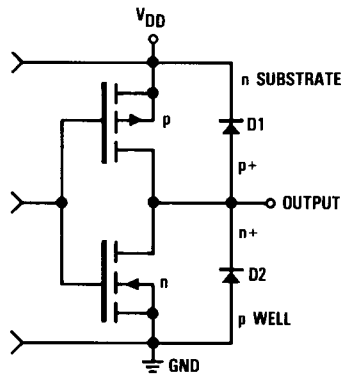
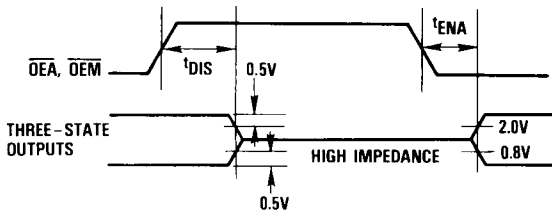


Figure 13. Threshold Levels for Three-State Measurements



Absolute maximum ratings (beyond which the device may be damaged)¹

| | |
|--|----------------------------------|
| Supply Voltage | -0.5 to +7.0V |
| Input Voltage | -0.5 to (V _{DD} + 0.5V) |
| Output | |
| Applied voltage ² | -0.5 to (V _{DD} + 0.5V) |
| Forced current ^{3,4} | -1.0 to +6.0mA |
| Short-circuit duration (single output in HIGH state to ground) | 1 sec |
| Temperature | |
| Operating, case | -60 to +130°C |
| junction | 175°C |
| Lead, soldering (10 seconds) | 300°C |
| Storage | -65 to +150°C |

Notes:

1. Absolute maximum ratings are limiting values applied individually while all other parameters are within specified operating conditions. Functional operation under any of these conditions is NOT implied.
2. Applied voltage must be current limited to specified range, and measured with respect to GND.
3. Forcing voltage must be limited to specified range.
4. Current is specified as conventional current flowing into the device.

Operating conditions

| Parameter | Temperature Range | | | | | | Units |
|---|-------------------|-----|------|----------|-----|------|-------|
| | Standard | | | Extended | | | |
| | Min | Nom | Max | Min | Nom | Max | |
| V _{DD} Supply Voltage | 4.75 | 5.0 | 5.25 | 4.5 | 5.0 | 5.5 | V |
| V _{IL} Input Voltage, Logic LOW | | | 0.8 | | | 0.8 | V |
| V _{IH} Input Voltage, Logic HIGH | 2.0 | | | 2.0 | | | V |
| I _{OL} Output Current, Logic LOW | | | 4.0 | | | 4.0 | mA |
| I _{OH} Output Current, Logic HIGH | | | -2.0 | | | -2.0 | mA |
| T _A Ambient Temperature, Still Air | 0 | | 70 | | | | °C |
| T _C Case Temperature | | | | -55 | | 125 | °C |

DC characteristics within specified operating conditions ¹

| Parameter | Test Conditions | Temperature Range | | | | Units |
|---|---|-------------------|------|----------|------|-------|
| | | Standard | | Extended | | |
| | | Min | Max | Min | Max | |
| I _{DDQ} Supply Current, Quiescent | V _{DD} = Max, V _{IN} = 0V, \overline{OEM} , \overline{OEA} = 5V | | 10 | | 10 | mA |
| I _{DDU} Supply Current, Unloaded | V _{DD} = Max, f = 20MHz, \overline{OEM} , \overline{OEA} = 5V | | 70 | | 80 | mA |
| I _{IL} Input Current, Logic LOW | V _{DD} = Max, V _{IN} = 0V | -40 | | -40 | | μA |
| I _{IH} Input Current, Logic HIGH | V _{DD} = Max, V _{IN} = V _{DD} | | +40 | | +40 | μA |
| V _{OL} Output Voltage, Logic LOW | V _{DD} = Min, I _{OL} = Max | | 0.4 | | 0.4 | V |
| V _{OH} Output Voltage, Logic HIGH | V _{DD} = Min, I _{OH} = Max | 2.4 | | 2.4 | | V |
| I _{OZL} Hi-Z Output Leakage Current, Output LOW | V _{DD} = Max, V _{IN} = 0V | -40 | | -40 | | μA |
| I _{OZH} Hi-Z Output Leakage Current, Output HIGH | V _{DD} = Max, V _{IN} = V _{DD} | | +40 | | +40 | μA |
| I _{OS} Short-Circuit Output Current | V _{DD} = Max, Output HIGH, one pin to ground, one second duration max. | | -150 | | -150 | mA |
| C _I Input Capacitance | T _A = 25°C, f = 1MHz | | 10 | | 10 | pF |
| C _O Output Capacitance | T _A = 25°C, f = 1MHz | | 10 | | 10 | pF |

Note:

1. Actual test conditions may vary from those shown, but guarantee operation as specified.

AC characteristics within specified operating conditions

| Parameter | Test Conditions | Temperature Range | | | | | | | | Units |
|---|---|-------------------|-----|-----|-----|----------|-----|-----|-----|-------|
| | | Standard | | | | Extended | | | | |
| | | -1 | | | | -1 | | | | |
| | | Min | Max | Min | Max | Min | Max | Min | Max | |
| f_C Clock (Correlation) Rate | $V_{DD} = \text{Min}$ | | 20 | | 17 | | 20 | | 17 | MHz |
| t_{PWL} Clock Pulse Width, LOW | $V_{DD} = \text{Min}$ | 25 | | 30 | | 25 | | 30 | | ns |
| t_{PWH} Clock Pulse Width, HIGH | $V_{DD} = \text{Min}$ | 15 | | 15 | | 15 | | 15 | | ns |
| t_S Input Setup Time | | 15 | | 15 | | 17 | | 17 | | ns |
| t_H Input Hold Time | | 0 | | 0 | | 0 | | 0 | | ns |
| t_D Output Delay | $V_{DD} = \text{Min}, C_{LOAD} = 40\text{pF}$ | | 25 | | 25 | | 25 | | 25 | ns |
| t_{HD} Output Hold Time | $V_{DD} = \text{Max}, C_{LOAD} = 40\text{pF}$ | 3 | | 3 | | 3 | | 3 | | ns |
| t_{ENA} Three-State Output Enable Delay ¹ | $V_{DD} = \text{Min}, C_{LOAD} = 40\text{pF}$ | | 17 | | 17 | | 17 | | 17 | ns |
| t_{DIS} Three-State Output Disable Delay ¹ | $V_{DD} = \text{Min}, C_{LOAD} = 40\text{pF}$ | | 22 | | 22 | | 22 | | 22 | ns |

Note: 1. All transitions are measured at a 1.5V level except for t_{DIS} and t_{ENA} .

Ordering Information

| Product Number | Temperature Range | Screening | Package | Package Marking |
|----------------|--|--------------------|-------------------------------|-----------------|
| TMC2220G8C | STD - $T_A = 0^\circ\text{C}$ to 70°C | Commercial, 17MHz | 68 Pin Grid Array | 2220G8C |
| TMC2220G8V | EXT - $T_C = -55^\circ\text{C}$ to 125°C | MIL-STD-883, 17MHz | 68 Pin Grid Array | 2220G8V |
| TMC2220G8C1 | STD - $T_A = 0^\circ\text{C}$ to 70°C | Commercial, 20MHz | 68 Pin Grid Array | 2220G8C1 |
| TMC2220G8V1 | EXT - $T_C = -55^\circ\text{C}$ to 125°C | MIL-STD-883, 20MHz | 68 Pin Grid Array | 2220G8V1 |
| TMC2220H8C | STD - $T_A = 0^\circ\text{C}$ to 70°C | Commercial, 17MHz | 69 Pin Plastic Pin Grid Array | 2220H8C |
| TMC2220H8C1 | STD - $T_A = 0^\circ\text{C}$ to 70°C | Commercial, 20MHz | 69 Pin Plastic Pin Grid Array | 2220H8C1 |
| TMC2221B6C | STD - $T_A = 0^\circ\text{C}$ to 70°C | Commercial, 17MHz | 28 Pin Cerdip | 2221B6C |
| TMC2221B6V | EXT - $T_C = -55^\circ\text{C}$ to 125°C | MIL-STD-883, 17MHz | 28 Pin Cerdip | 2221B6V |
| TMC2221B6C1 | STD - $T_A = 0^\circ\text{C}$ to 70°C | Commercial, 20MHz | 28 Pin Cerdip | 2221B6C1 |
| TMC2221B6V1 | EXT - $T_C = -55^\circ\text{C}$ to 125°C | MIL-STD-883, 20MHz | 28 Pin Cerdip | 2221B6V1 |

All parameters in this specification are guaranteed by design, characterization, sample testing or 100% testing, as appropriate. TRW reserves the right to change products and specifications without notice. This information does not convey any license under patent rights of TRW Inc. or others.

Life Support Policy – TRW LSI Products Inc. components are not designed for use in life support applications, wherein a failure or malfunction of the component can reasonably be expected to result in personal injury. The user of TRW LSI Products Inc. components in life support applications assumes all risk of such use and indemnifies TRW LSI Products Inc. against all damages.

X-ON Electronics

Largest Supplier of Electrical and Electronic Components

Click to view similar products for [Display Modules](#) category:

Click to view products by [E2v](#) manufacturer:

Other Similar products are found below :

[LCD-WVGA-7IN-1](#) [P6153-PR](#) [TDP0700T800480PCAP](#) [P6171DPR-DC-RS](#) [99-47-02033A](#) [P6171DPR-DC-U](#) [96LEDK-A215FH25NF5](#)
[IDK-1121WR-30FHA1E](#) [IDK-104R-32SVI1](#) [WF70GTIAGDNT0#](#) [G1619W02BBW01](#) [MIKROMEDIA 4 FOR STM32F4 CAPACITIVE FPI](#)
[MIKROMEDIA 3 FOR STM32F4 CAPACITIVE FPI](#) [PH320240T023-IHC09](#) [1148693](#) [1148689](#) [PIM537](#) [TN0216ANVNANN-GN00](#)
[TN0104ANVAANN-GN00](#) [TN0181ANVNANN-GN00](#) [12121000](#) [MIKROMEDIA FOR DSPIC33](#) [MIKROMEDIA FOR PIC24](#)
[MIKROMEDIA FOR PIC32](#) [MIKROMEDIA FOR STELLARIS M3](#) [MIKROMEDIA FOR XMEGA](#) [MIKROMEDIA HMI 3.5 RES](#)
[MIKROMEDIA HMI 5](#) [MIKROMEDIA PLUS FOR FT90X](#) [MIKROMEDIA PLUS FOR PIC32MX7 SHIELD](#) [MIKROMEDIA PROTO](#)
[SHIELD](#) [MIKROMEDIA 5 FOR TIVA](#) [MIKROMEDIA 5 FOR TIVA SHIELD](#) [MIKROMEDIA 7 FOR STM32F4](#) [MIKROMEDIA](#)
[CONNECT SHIELD](#) [MIKROMEDIA FOR ARM](#) [MIKROMEDIA FOR DSPIC33EP](#) [MIKROMEDIA FOR PSOC5LP](#) [MIKROMEDIA](#)
[GAMING SHIELD](#) [MIKROMEDIA HMI 4.3 UXB](#) [MIKROMEDIA HMI 5 RES](#) [MIKROMEDIA HMI 5 UXB](#) [MIKROMEDIA HMI 7](#)
[MIKROMEDIA HMI BREAKOUT BOARD](#) [MIKROMEDIA PLUS FOR PIC32MX7](#) [MIKROMEDIA PLUS FOR STM32](#)
[RVT28AEFNWN00](#) [RVT28UEFNWC01](#) [RVT28UEFNWC03](#) [RVT28UEFNWC05](#)