

Actuator

51-
030.005



<https://eao.com/p/51-030.005>

Your product:



51-030.005 Actuator

FRONT

Front dimension: Ø 18 mm

Front form: round

MOUNTING

Design: raised

Mounting type: Panel mounting

ELECTRICAL CHARACTERISTICS

Switching voltage and switching current: 100 mA at 42 VAC/VDC

Electric strength: 2500 VAC, 50 Hz, 1 min. between all terminals and earth, according to IEC 61058-1, part 15

MECHANICAL CHARACTERISTIC

Terminal: Soldering terminal, 2.8 x 0.5 mm

Tightening torque: Fixing nut max. 0.5 Nm

Weight: 0.004 kg

AMBIENT CONDITION

IP front protection: IP65, according to DIN EN 60529

Operating temperature: – 25 °C ... + 55 °C, mounted as a block, make sure the heat can escape freely

Storage temperature: – 40 °C ... + 85 °C

Shock resistance: 15 g for 11 ms, as per DIN / EN 60512-4-3, DIN / EN 60068-2-27 (Single impacts, semi-sinusoidal)

CERTIFICATE

REACH: REACH compliant

RoHS: RoHS compliant

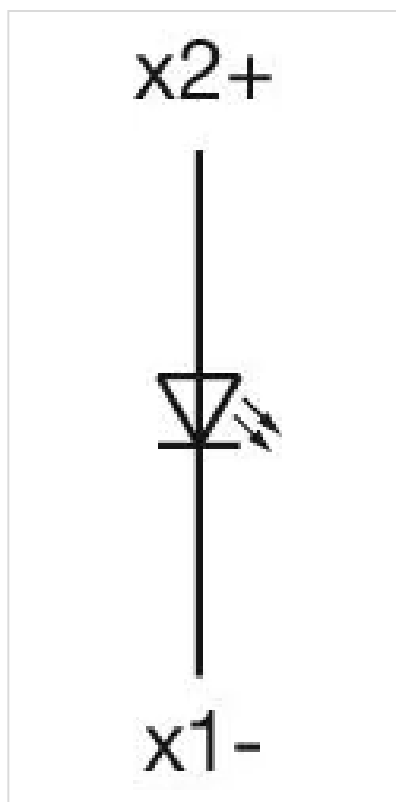
OTHER

Short Description: Actuator, Ø 18 mm, round, Soldering terminal, 2.8 x 0.5 mm, IP65, according to DIN EN 60529

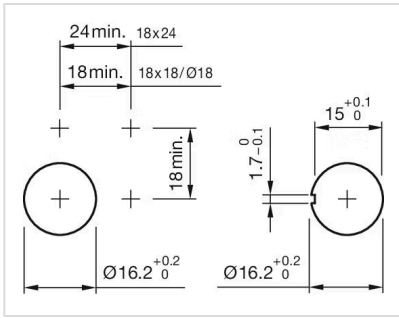
Internal size: Ø 15,8 mm

Housing colour: Black

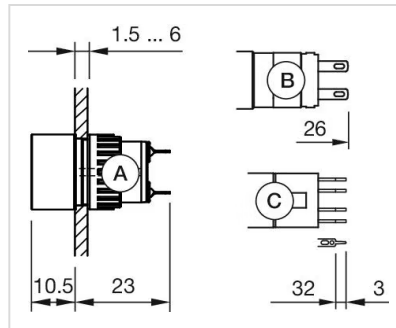
Wiring diagrams:



Mounting cut-outs:













Dimension drawings:



- A = Solder terminal
- B = Plug-in terminal 2.8 mm x 0.5 mm
- C = Universal terminal 2.0 mm x 0.5 mm

Where to Buy

	Distributor	Quantity in Stock	
	Sager	97 in stock	Buy 
	RS UK	24 in stock	Buy 
	RS Americas	22 in stock	Buy 
	Digi-Key	11 in stock	Buy 
	Farnell element14 UK	5 in stock	Buy 

[Show more](#) 

Powered by oemsecrets.com

X-ON Electronics

Largest Supplier of Electrical and Electronic Components

Click to view similar products for [Switch Actuators](#) category:

Click to view products by [EAO](#) manufacturer:

Other Similar products are found below :

[LW1B-A0L](#) [LW1B-M0](#) [9PA24](#) [A019307](#) [HW1F-3G](#) [HW4L-M0](#) [200-.704-00](#) [JS-10008](#) [JS-10083](#) [JS-10118](#) [JS-10133](#) [JS-10277](#) [JS-150](#)
[JS-552](#) [JS-555](#) [JS-6-B](#) [JS-91](#) [JS-94](#) [SAPT654133](#) [SW53AA2](#) [LW2L-A0](#) [468-10243-001](#) [317-1153-017](#) [JM-13](#) [JS-138-B](#) [JS-143-B](#) [JS-49](#)
[JS-551](#) [JS-5-C](#) [KRR12](#) [LLDPZ00-000](#) [500-102](#) [030-2196-006](#) [110164](#) [51-378.FAD](#) [0714-0260](#) [6PA187-E6](#) [JS-85](#) [SAPT654133/BLK](#)
[FS/012-016](#) [3SU1030-0AA30-0AA0](#) [3SU1030-0AA60-0AA0](#) [52PP3W1](#) [VH1-01-XP](#) [110163](#) [CW4P-00](#) [KRR22NXXXX](#) [JS-556](#) [A018327](#)
[SMCA2DP](#)