

# Actuator

51-  
411.036D



<https://eao.com/p/51-411.036D>

Your product:

---



## 51-411.036D Actuator

### FRONT

**Front dimension:** Ø 18 mm

**Front form:** round

### MOUNTING

**Design:** raised

**Mounting type:** Panel mounting

### ELECTRICAL CHARACTERISTICS

**Contacts:** 2 NO

**Switching voltage and switching current:** 100 mA at 42 VAC/VDC

**Switching rating:** 42 V @ 0,1 A

**Electric strength:** 2500 VAC, 50 Hz, 1 min. between all terminals and earth, according to IEC 61058-1, part 15

**Electrostatic discharge (ESD):** ≤ 15 KV

### MECHANICAL CHARACTERISTIC

**Terminal:** Universal terminal, 2 x 0.5 mm

**Contact material:** Gold

**Switching action:** Rest (a) - Maintained (a)

**Switching system:** Low-level element

**Switching system:** This low-level switching element was designed for switching low powers in electronic circuits. The mechanism assures reliable switching of loads ranging from a few  $\mu\text{A}/\mu\text{V}$  up to 100 mA/ 42 VAC/DC.  
Single-break momentary contact, as normally open or normally closed with 4 independent points of contact. 2 momentary contacts per switching element;

combination of normally open and normally closed is possible.  
Special features are the long life, extremely short rebound time and stable contact resistance.

<b>Switching positions:</b>	2 positions
<b>Switching angle:</b>	90° right
<b>Mechanical lifetime:</b>	50 000 cycles of operation
<b>Operating force:</b>	1,8 ... 3,5 N
<b>Tightening torque:</b>	Fixing nut max. 0.5 Nm
<b>Weight:</b>	0.016 kg

### **AMBIENT CONDITION**

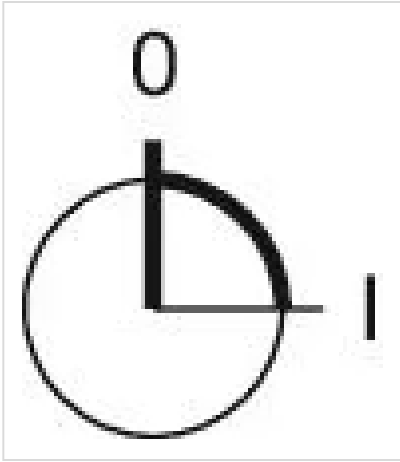
<b>IP front protection:</b>	IP65, according to DIN EN 60529
<b>Operating temperature:</b>	- 25 °C ... + 55 °C
<b>Storage temperature:</b>	- 40 °C ... + 85 °C
<b>Shock resistance:</b>	15 g for 11 ms, as per DIN / EN 60512-4-3, DIN / EN 60068-2-27 (Single impacts, semi-sinusoidal)

### **CERTIFICATE**

<b>Approbations:</b>	CB (IEC 61058-1), CQC, CSA, DNV, ENEC (EN 61058-1), UL
<b>REACH:</b>	REACH compliant
<b>RoHS:</b>	RoHS compliant

### **OTHER**

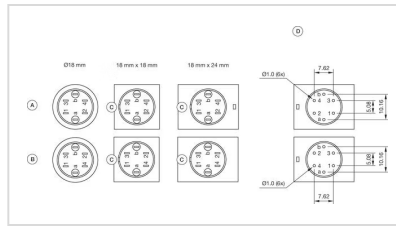
<b>Short Description:</b>	Actuator, Ø 18 mm, round, 2 NO, Rest (a) - Maintained (a), Universal terminal, 2 x 0.5 mm, IP65, according to DIN EN 60529
<b>Housing colour:</b>	Black
<b>Hints:</b>	Standard lock: DOM 311
<b>Switching positions:</b>	



**Wiring diagrams:**

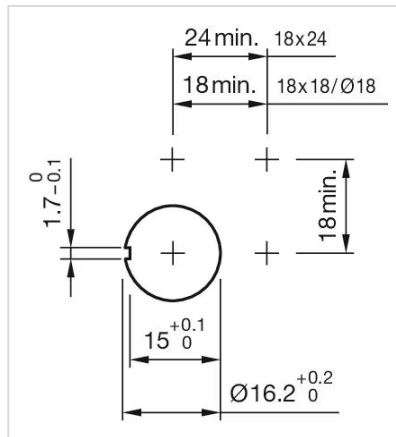


**Component layouts:**



- A = Universal terminal (rear side)
- B = Plug-in terminal (rear side)
- C = Anti twist device
- D = Drilling plan

**Mounting cut-outs:**



**Dimension drawings:**

## X-ON Electronics

Largest Supplier of Electrical and Electronic Components

*Click to view similar products for [Keylock Switches](#) category:*

*Click to view products by [EAO](#) manufacturer:*

Other Similar products are found below :

[58J9A90-01C02N](#) [719-0201-000](#) [719-0202-000](#) [719-5504-000](#) [84800-04](#) [88672-00](#) [GKNC33L](#) [PVA2OAH5](#) [HA1K-2C2VA-2](#) [AS6M-2K1B](#)  
[1571487-1](#) [1571489-1](#) [KEY-AS6](#) [KH3C-20C](#) [8928K493](#) [2SWK131AL102](#) [AS6M-2K1A](#) [1-1437597-8](#) [58M1422](#) [84800-03](#) [86945-05](#) [719-](#)  
[0204-000](#) [719-0205-000](#) [719-0801-000](#) [719-0804-000](#) [88422-18](#) [58J9A60-01C02N](#) [51-382.022D](#) [M81E0600](#) [719-0802-000](#) [719-5502-000](#)  
[Y1122-F503ALFT](#) [84824-03](#) [CW4K-2BE10](#) [ACSNK-229-C2001](#) [50073975-02](#) [ASD0201KT8](#) [ASD2K10NU](#) [ASD2K11NU](#) [CW4K-2AE20-](#)  
[1H](#) [KSC331GSPECIALDELTALFS](#) [30PA40-AML](#) [K6FL YE 1.5 5N LV327](#) [ZB4BG414](#) [ZB4BG214](#) [ZB4BG420](#) [ZB4BG012](#) [9001KS53FB](#)  
[ZB5AG212](#) [ZB5AG412](#)