

Series 57

Innovative. Intuitive and modern.

<https://eao.com/57>



57 Information about the Series

Key advantages

- First choice to fully comply with EN 14752
- User friendly, extra large operating area of Ø 74 mm
- Two unique, illuminated feedback rings
- Conform to TSI PRM
- Robust, raised front bezel prevents unintended activation
- Coherent look and feel of the entire Series 57
- Integrated finding tone
- High IP69K front protection
- Optional illumination functions
- Smart final mounting

Typical application areas

- Passenger access systems
- Passenger information systems
- Call for aid terminals
- Emergency and emergency call systems
- Toilet facilities on trains and buses
- Lifting and moving systems
- Access control systems

Functions

- Indicator
- Door opening pushbutton
- Call for aid pushbutton
- Warning indicator

Design

- Front mounting
- Rear mounting
- Glass mounting

IP front protection

- IP69K

Raitings

- max. 250 mA

Mounting cut-outs

- Ø 42 mm

Terminal

- Cable with plug-in connection

Lens Material

- Aluminium
- Plastic

Markings

- Milling
- Injected in plastic

Approvals

- CCC
- E1 Regulation No. 10
- E1 118RII
- TSI PRM (EBC)

Conformities

- CE
- 2014/30/EU (EMC)
- 1300/2014/EU (TSI PRM)
- 2011/65/EU (RoHS)



Overview**Front mounting**

Pushbutton	4
Indicator	7
Warning indicator	10
Call for aid pushbutton	12

Glass mounting

Single side pushbutton	14
Double side pushbutton	17

Components

21

Accessories

23

Technical data

25

Application guidelines

33

57 Front mounting

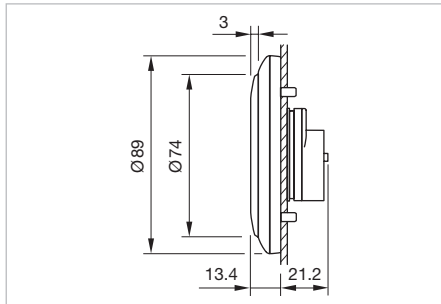
Single side pushbutton



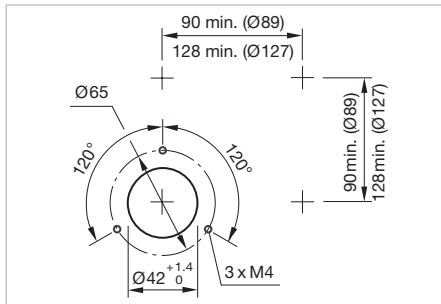
The preview is based on a sample product. This can differ from your current configuration.

Product features

- User friendly, extra large operating area of $\varnothing 74$ mm
- Illuminable feedback rings; outer ring green and inner ring red
- Raised symbols conform to TSI PRM
- Integrated optional finding tone for visually impaired persons
- Cable and front bezel are available as single parts
- Please complete a separate order form at www.eao.com/downloads and deliver it to your local EAO distributor
- Part No. 57-10-xxxxxx (with cable)
Part No. 57-100-xxxxxx (without cable)

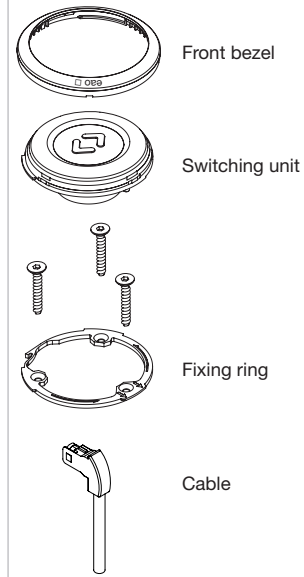


Dimensions [mm]



Mounting cut-outs [mm]

Equipment consisting of



Front bezel			
plastic, colour similar RAL		aluminium	without
<input type="checkbox"/> green RAL 6032	<input type="checkbox"/> red RAL 3000	<input type="checkbox"/> natural anodized	<input type="checkbox"/>
<input type="checkbox"/> blue RAL 5015	<input type="checkbox"/> yellow RAL 1023		
<input type="checkbox"/> grey RAL 7040	<input type="checkbox"/> black RAL 9017		
<input type="checkbox"/> night blue RAL 5022			

Symbol insert			
plastic, colour similar RAL		aluminium	
<input type="checkbox"/> green RAL 6032	<input type="checkbox"/> red RAL 3000	<input type="checkbox"/> natural anodized	
<input type="checkbox"/> blue RAL 5015	<input type="checkbox"/> yellow RAL 1023		
<input type="checkbox"/> grey RAL 7040	<input type="checkbox"/> night blue RAL 5022 (wheelchair)		

Symbol/Symbol colour similar RAL							
<input type="checkbox"/> Symbol plastic				<input type="checkbox"/> Symbol aluminium, natural anodized			
<input type="checkbox"/> Symbol aluminium, natural anodized							
<input type="checkbox"/> black RAL 9017	<input type="checkbox"/> black RAL 9017	<input type="checkbox"/> black RAL 9017	<input type="checkbox"/> black RAL 9017 <input type="checkbox"/> white RAL 9003	<input type="checkbox"/> black RAL 9017	<input type="checkbox"/> black RAL 9017	<input type="checkbox"/> black RAL 9017	<input type="checkbox"/> black RAL 9017

<input type="checkbox"/> white RAL 9003	<input type="checkbox"/> white RAL 9003

<input type="checkbox"/> yellow RAL 1023 <input type="checkbox"/> black RAL 9017	<input type="checkbox"/> black RAL 9017	<input type="checkbox"/> black RAL 9017	<input type="checkbox"/> black RAL 9017

Finding tone

 standard 65 dB (A)

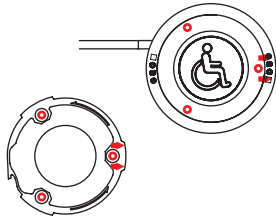
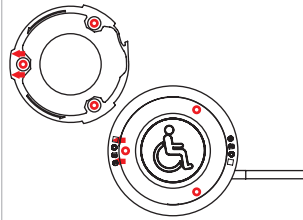
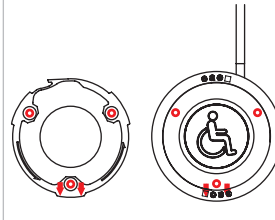
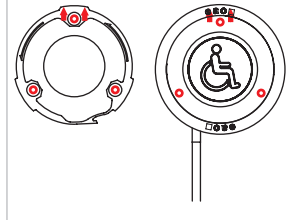
 without

Supply voltage

 16 – 63 VDC

 50 – 143 VDC

Cable exit

 cable exit left

 cable exit right

 cable exit top

 cable exit bottom


Cable length

 A = 200 mm

 A = 1000 mm

 A = 2000 mm

 _____ mm

 without cable

Cable and Connector type

Cable	Wiring diagram	Connector	Connector pin assignment		
<input type="checkbox"/> 4 x 0.24 mm ²	3, 4	<input type="checkbox"/> Core end-sleeves		<input type="checkbox"/> standard	<input type="checkbox"/> special
<input type="checkbox"/> 4 x 0.50 mm ²	3, 4	<input type="checkbox"/> AMP MATE-N-LOK 794805-1 (4P)	1	Pin 1	---
<input type="checkbox"/> 6 x 0.24 mm ²	1, 2, 5, 6	<input type="checkbox"/> AMP MATE-N-LOK 794895-1 (6P)	2	Pin 2	---
<input type="checkbox"/> 6 x 0.50 mm ²	1, 2, 5, 6	<input type="checkbox"/> WAGO X-COM 769	3	Pin 3	---
		<input type="checkbox"/> AMP FASTIN-FASTON 180901 (4P)	4	Pin 4	---
		<input type="checkbox"/> DEUTSCH DT04-4P-C015 (4P)	5	Pin 5	---
		<input type="checkbox"/> DEUTSCH DT04-6P-C015 (6P)	6	Pin 6	---

Finding tone	Number of strands	Wiring diagram according to EN 14752
X	6	<p>VDC = 16 - 63VDC/50 - 143VDC</p>

Wiring diagram 1

Finding tone	Number of strands	Wiring diagram according to EN 14752
X	4	<p>VDC = 16 - 63VDC/50 - 143VDC</p>

Wiring diagram 3

Finding tone	Number of strands	Wiring diagram according to EN 14752
-	6	<p>VDC = 16 - 63VDC/50 - 143VDC</p>

Wiring diagram 2

Finding tone	Number of strands	Wiring diagram according to EN 14752
-	4	<p>VDC = 16 - 63VDC/50 - 143VDC</p>

Wiring diagram 4

57 Front mounting

Finding tone	Number of strands	Wiring diagram as per EN 14752
X	6	<p>VDC = 16 - 63VDC/50 - 143VDC</p>
Wiring diagram 5		

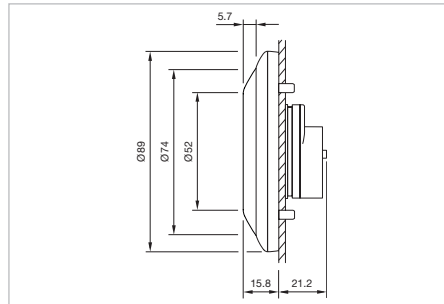
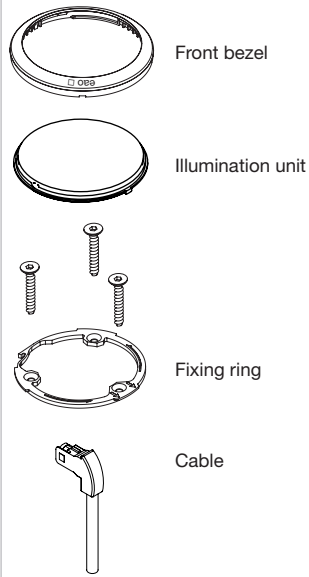
Finding tone	Number of strands	Wiring diagram as per EN 14752
-	5	<p>VDC = 16 - 63VDC/50 - 143VDC</p>
Wiring diagram 6		

Legend

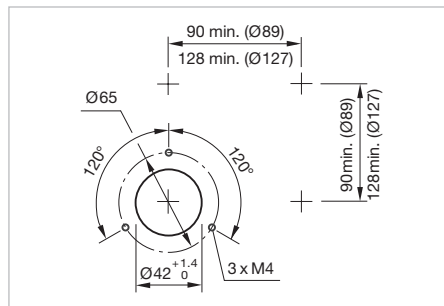
- A = VDC finding tone
- B = VDC outer ring
- C = VDC inner ring
- D = VDC
- E = Switch (not potential-free)
- F = Load (max. 250 mA)
- G = 0 V
- H = Inner ring
- I = Outer ring
- L = Finding tone

Indicator

Equipment consisting of



Dimensions [mm]



Mounting cut-outs [mm]



The preview is based on a sample product. This can differ from your current configuration.

Product features

- Extra large illuminated surface, Ø 52 mm
- LEDs ensure an optimal illumination
- Cable and front bezel are available as single parts
- Please complete a separate order form at www.eao.com/downloads and deliver it to your local EAO distributor
- Part No. 57-60-xxxxxx (with cable)
Part No. 57-600-xxxxxx (without cable)

Front bezel

plastic, colour similar RAL

green RAL 6032

blue RAL 5015

grey RAL 7040

night blue RAL 5022

red RAL 3000

yellow RAL 1023

black RAL 9017

aluminium

natural anodized

without

Symbols

<input type="checkbox"/>	<input type="checkbox"/>	<input type="checkbox"/>	<input type="checkbox"/>	<input type="checkbox"/>	<input type="checkbox"/>	<input type="checkbox"/>	<input type="checkbox"/>
<input type="checkbox"/>	<input type="checkbox"/>	<input type="checkbox"/>	<input type="checkbox"/>	<input type="checkbox"/>	<input type="checkbox"/>	<input type="checkbox"/>	<input type="checkbox"/>
<input type="checkbox"/>	<input type="checkbox"/>	<input type="checkbox"/>	<input type="checkbox"/>	<input type="checkbox"/>	<input type="checkbox"/>		

Illumination

Single colour

red

blue

yellow

white

green

Bi-colour

red/yellow

red/green

blue/white

57 Front mounting

Optional lighting effects

No Yes

With optional light effect functions

PIN	Colour	Flashing frequency	Brightness	Wiring diagram		
PIN 2	<input type="checkbox"/> Red	<input type="checkbox"/> Flashing frequency	<input type="checkbox"/> 0.0 Hz Constant lighting	Wiring diagram		
	<input type="checkbox"/> Yellow				<input type="checkbox"/> 0.2 Hz	1 – 4
	<input type="checkbox"/> Green				<input type="checkbox"/> 0.5 Hz	3, 4
	<input type="checkbox"/> Blue				<input type="checkbox"/> 1.0 Hz	3, 4
	<input type="checkbox"/> White				<input type="checkbox"/> 2.5 Hz	3, 4
	(Please advise one colour)				<input type="checkbox"/> Brightness	<input type="checkbox"/> 50 %
		<input type="checkbox"/> 100 %	1 – 4			
PIN 3	<input type="checkbox"/> Red	<input type="checkbox"/> Flashing frequency	<input type="checkbox"/> 0.0 Hz Constant lighting	1 – 4		
	<input type="checkbox"/> Yellow				<input type="checkbox"/> 0.2 Hz	3, 4
	<input type="checkbox"/> Green				<input type="checkbox"/> 0.5 Hz	3, 4
	<input type="checkbox"/> Blue				<input type="checkbox"/> 1.0 Hz	3, 4
	<input type="checkbox"/> White				<input type="checkbox"/> 2.5 Hz	3, 4
	(Please advise one colour)				<input type="checkbox"/> Brightness	<input type="checkbox"/> 50 %
		<input type="checkbox"/> 100 %	1 – 4			
PIN 4	<input type="checkbox"/> Red	<input type="checkbox"/> Flashing frequency	<input type="checkbox"/> 0.0 Hz Constant lighting	1 – 4		
	<input type="checkbox"/> Yellow				<input type="checkbox"/> 0.2 Hz	3, 4
	<input type="checkbox"/> Green				<input type="checkbox"/> 0.5 Hz	3, 4
	<input type="checkbox"/> Blue				<input type="checkbox"/> 1.0 Hz	3, 4
	<input type="checkbox"/> White				<input type="checkbox"/> 2.5 Hz	3, 4
	(Please advise one colour)				<input type="checkbox"/> Brightness	<input type="checkbox"/> 50 %
		<input type="checkbox"/> 100 %	1 – 4			

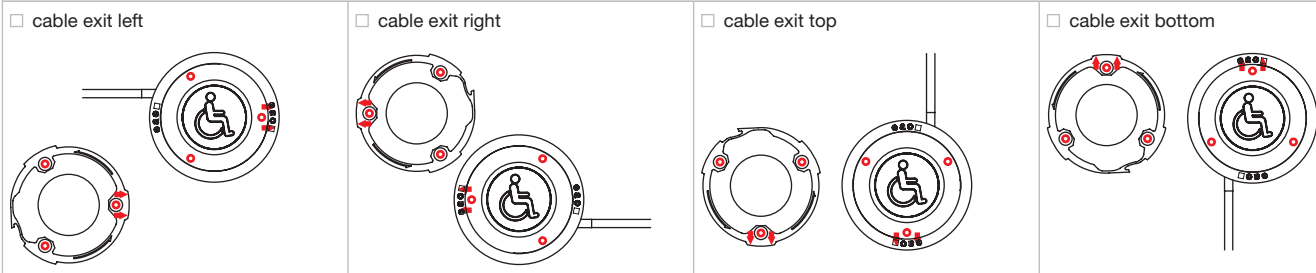
Note: Total up to 3 lighting effects available per indicator, please see «Illumination».

Supply voltage

24 VDC 110 VDC

Tolerance +30 % ... -30 %

Cable exit



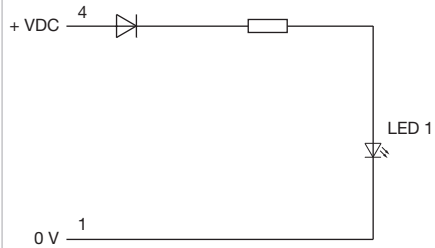
Cable length

A = 200 mm (standard) A = 1000 mm A = 2000 mm _____ mm without cable

Cable and Connector type

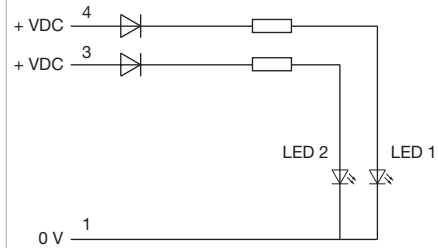
Cable	Wiring diagram	Connector	Connector pin assignment		
<input type="checkbox"/> 2 x 0.50 mm ²	1	<input type="checkbox"/> Core end-sleeves		<input type="checkbox"/> standard	<input type="checkbox"/> special
<input type="checkbox"/> 4 x 0.50 mm ²	2, 3, 4	<input type="checkbox"/> AMP MATE-N-LOK 794894-1 (2P)	1	Pin 1	—
		<input type="checkbox"/> AMP MATE-N-LOK 794805-1 (4P)	2	Pin 2	—
		<input type="checkbox"/> WAGO X-COM 769	3	Pin 3	—
		<input type="checkbox"/> AMP FASTIN-FASTON 180901 (4P)	4	Pin 4	—
		<input type="checkbox"/> DEUTSCH DT04-4P-C015 (4P)			
		<input type="checkbox"/> DEUTSCH DT04-6P-C015 (6P)			

Single-colour, no lighting effects (constant lighting)



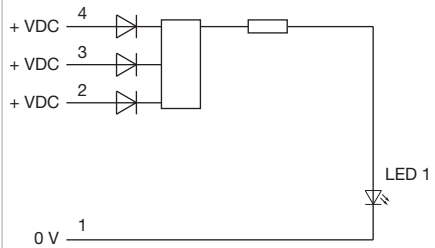
Wiring diagram 1

Bi-colour, no lighting effects (constant lighting)



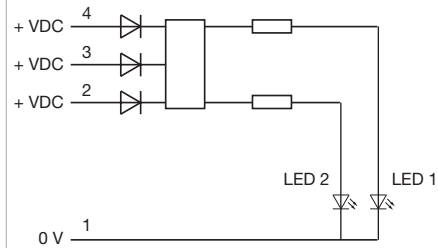
Wiring diagram 2

Single-colour, with lighting effects



Wiring diagram 3

Bi-colour, with lighting effects



Wiring diagram 4

57 Front mounting

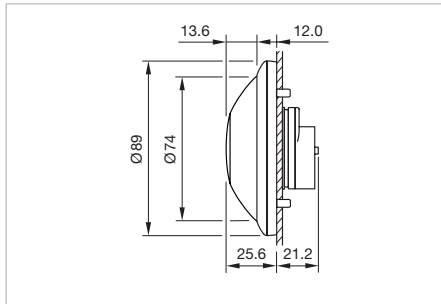
Warning indicator



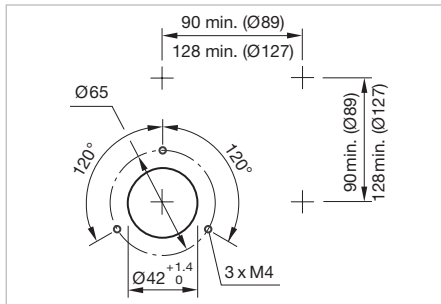
The preview is based on a sample product. This can differ from your current configuration.

Product features

- Extra large illuminated lens, Ø 74 mm
- LEDs ensure an optimal illumination
- Cable and front bezel are available as single parts
- Please complete a separate order form at www.eao.com/downloads and deliver it to your local EAO distributor
- Part No. 57-50-xxxxxx (with cable)
Part No. 57-500-xxxxxx (without cable)

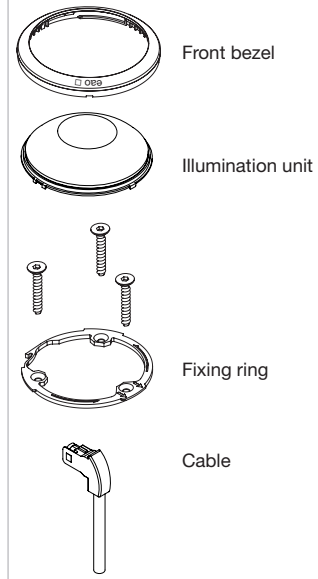


Dimensions [mm]



Mounting cut-outs [mm]

Equipment consisting of



Front bezel			
plastic, colour similar RAL		aluminium	without
<input type="checkbox"/> green RAL 6032	<input type="checkbox"/> red RAL 3000	<input type="checkbox"/> natural anodized	<input type="checkbox"/>
<input type="checkbox"/> blue RAL 5015	<input type="checkbox"/> yellow RAL 1023		
<input type="checkbox"/> grey RAL 7040	<input type="checkbox"/> black RAL 9017		
<input type="checkbox"/> night blue RAL 5022			

Illumination			
<input type="checkbox"/> red	<input type="checkbox"/> blue	<input type="checkbox"/> yellow	<input type="checkbox"/> green

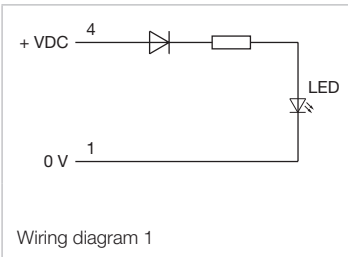
Supply voltage	
<input type="checkbox"/> 24 VDC	<input type="checkbox"/> 110 VDC

Tolerance +30 % ... -30 %

Cable exit			
<input type="checkbox"/> cable exit left	<input type="checkbox"/> cable exit right	<input type="checkbox"/> cable exit top	<input type="checkbox"/> cable exit bottom

Cable length				
<input type="checkbox"/> A = 200 mm	<input type="checkbox"/> A = 1000 mm	<input type="checkbox"/> A = 2000 mm	<input type="checkbox"/> _____ mm	<input type="checkbox"/> without cable

Cable and Connector type					
Cable	Wiring diagram	Connector	Connector pin assignment		
<input type="checkbox"/> 2 x 0.50 mm ²	1	<input type="checkbox"/> Core end-sleeves		<input type="checkbox"/> standard	<input type="checkbox"/> special
		<input type="checkbox"/> AMP MATE-N-LOK 794894-1 (2P)	1	Pin 1	—
		<input type="checkbox"/> WAGO X-COM 769	4	Pin 4	—
		<input type="checkbox"/> DEUTSCH DT04-2P-C015 (2P)			

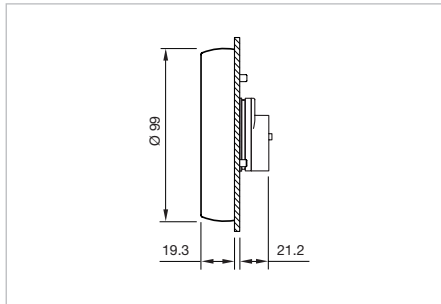


57 Front mounting

Call for aid pushbutton

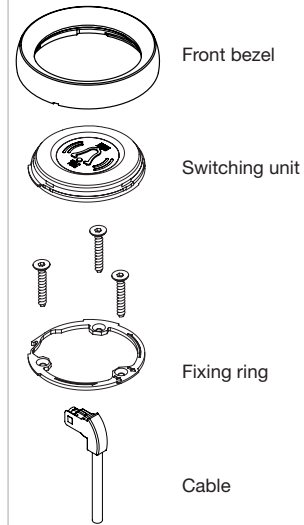


Product can differ from the current configuration.



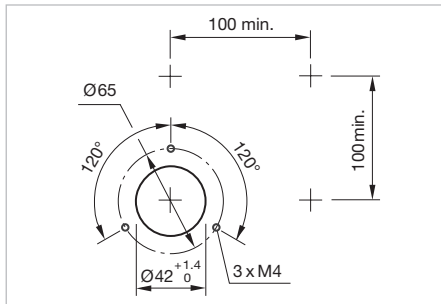
Dimensions [mm]

Equipment consisting of



Product features

- User friendly, extra large operating area of Ø 74 mm
- Illuminable feedback rings; outer ring green and inner ring red or yellow/yellow
- Raised bell symbol conform to TSI PRM
- Integrated optional finding tone for visually impaired persons
- Robust front bezel raised protects against accidental actuation
- Warning triangle available as accessory
- Please complete a separate order form at www.eao.com/downloads and deliver it to your local EAO distributor
- Part No. 57-10-xxxxxx (with cable)
Part No. 57-100-xxxxxx (without cable)



Mounting cut-outs [mm]

Front bezel

Plastic flush, colour similar RAL		Aluminium large, colour similar RAL		
<input type="checkbox"/> green RAL 6032	<input type="checkbox"/> yellow RAL 1023	<input type="checkbox"/> red anodized, RAL 3000	<input type="checkbox"/> green anodized, RAL 6032	<input type="checkbox"/> yellow powder-coated, RAL 1023

Symbol insert

Symbol lastic, colour similar RAL			Symbol aluminium, colour similar RAL	
red RAL 3000	green RAL 6032	yellow RAL 1023	red anodized, RAL 3000	natural anodized
<input type="checkbox"/> white RAL 9003	<input type="checkbox"/> white RAL 9003	<input type="checkbox"/> white RAL 9003	<input type="checkbox"/> black RAL 9017	<input type="checkbox"/> black RAL 9017

Supply voltage

16 – 63 VDC

Finding tone

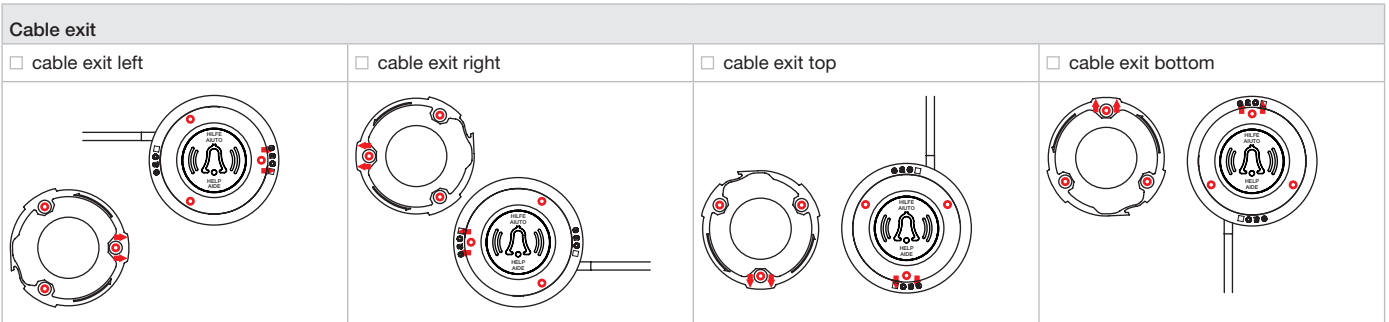
standard 65 dB (A) without

Illuminable feedback rings

Outer ring green/Inner ring red Outer ring yellow/Inner ring yellow

Cable length

A = 200 mm (standard) A = 1000 mm A = 2000 mm _____ mm without cable



Cable and Connector type					
Cable	Wiring diagram	Connector	Connector pin assignment		
<input type="checkbox"/> 4 x 0.24 mm ²	3, 4	<input type="checkbox"/> Core end-sleeves		<input type="checkbox"/> standard	<input type="checkbox"/> special
<input type="checkbox"/> 4 x 0.50 mm ²	3, 4	<input type="checkbox"/> AMP MATE-N-LOK 794805-1 (4P)	1	Pin 1	---
<input type="checkbox"/> 6 x 0.24 mm ²	1, 2, 5, 6	<input type="checkbox"/> AMP MATE-N-LOK 794895-1 (6P)	2	Pin 2	---
<input type="checkbox"/> 6 x 0.50 mm ²	1, 2, 5, 6	<input type="checkbox"/> WAGO X-COM 769	3	Pin 3	---
		<input type="checkbox"/> AMP FASTIN-FASTON 180901 (4P)	4	Pin 4	---
		<input type="checkbox"/> DEUTSCH DT04-4P-C015 (4P)	5	Pin 5	---
		<input type="checkbox"/> DEUTSCH DT04-6P-C015 (6P)	6	Pin 6	---

Finding tone	Number of strands	Wiring diagram	Finding tone	Number of strands	Wiring diagram
X	6	<p>VDC = 16 - 63VDC/50 - 143VDC</p>	-	6	<p>VDC = 16 - 63VDC/50 - 143VDC</p>
Wiring diagram 1			Wiring diagram 2		
X	4	<p>VDC = 16 - 63VDC/50 - 143VDC</p>	-	4	<p>VDC = 16 - 63VDC/50 - 143VDC</p>
Wiring diagram 3			Wiring diagram 4		
X	6	<p>VDC = 16 - 63VDC/50 - 143VDC</p>	-	5	<p>VDC = 16 - 63VDC/50 - 143VDC</p>
Wiring diagram 5			Wiring diagram 6		

Legende

- | | |
|---------------------------------|------------------|
| A = VDC finding tone | G = 0 V |
| B = VDC outer ring | H = Inner ring |
| C = VDC inner ring | I = Outer ring |
| D = VDC | L = Finding tone |
| E = Switch (not potential-free) | |
| F = Load (max. 250 mA) | |

57 Glass mounting

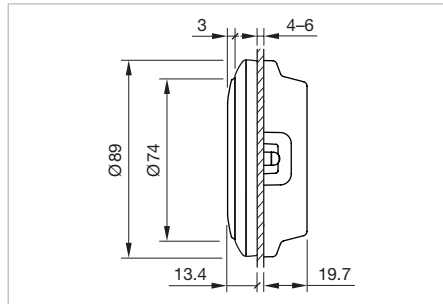
Single side pushbutton



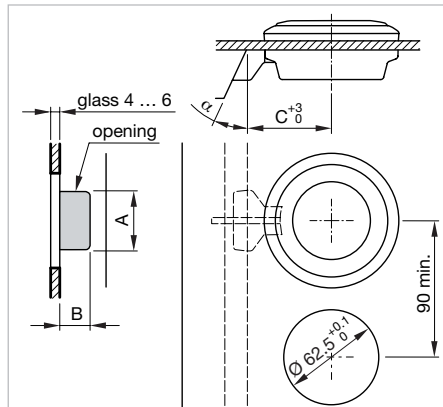
The preview is based on a sample product. This can differ from your current configuration.

Product features

- User friendly, extra large operating area of $\varnothing 74$ mm
- For glass thickness 4 – 6 mm
- Illuminable feedback rings; outer ring green and inner ring red
- Raised symbols conform to TSI PRM
- Integrated optional finding tone for visually impaired persons
- Cable, cable cover and front bezel are available as single parts
- Please complete a separate order form at www.eao.com/downloads and deliver it to your local EAO distributor
- Part No. 57-11-xxxxxx (with cable)
Part No. 57-110-xxxxxx (without cable)



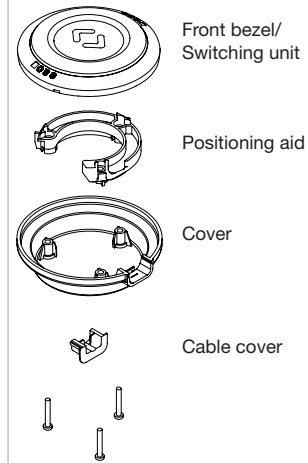
Dimensions [mm]



Mounting cut-outs [mm]

	α (°)	A (mm)	B (mm)	C (mm)
Cable cover standard	0	18 max.	11.5 max.	45
Cable cover standard 45°	45	18 max.	11.5 max.	45
Cable cover funnel 0°	0	24 max.	17.5 max.	57
Cable cover funnel 10°	10	24 max.	17.5 max.	57
Cable cover funnel 15°	15	24 max.	17.5 max.	57
Cable cover funnel 25°	25	24 max.	17.5 max.	57
Cable cover funnel 25° H24	25	24 max.	21.5 max.	62.5

Equipment consisting of



Front bezel

plastic, colour similar RAL		aluminium	without
<input type="checkbox"/> green RAL 6032	<input type="checkbox"/> red RAL 3000	<input type="checkbox"/> natural anodized with dismantling opening	<input type="checkbox"/>
<input type="checkbox"/> blue RAL 5015	<input type="checkbox"/> yellow RAL 1023	<input type="checkbox"/> natural anodized without dismantling opening	
<input type="checkbox"/> grey RAL 7040	<input type="checkbox"/> black RAL 9017		
<input type="checkbox"/> night blue RAL 5022			

Symbol insert

plastic, colour similar RAL		aluminium
<input type="checkbox"/> green RAL 6032	<input type="checkbox"/> red RAL 3000	<input type="checkbox"/> natural anodized
<input type="checkbox"/> blue RAL 5015	<input type="checkbox"/> yellow RAL 1023	
<input type="checkbox"/> grey RAL 7040	<input type="checkbox"/> night blue RAL 5022 (wheel chair)	

Symbol/Symbol colour similar RAL

- Symbol plastic
- Symbol aluminium, natural anodized



black RAL 9017



black RAL 9017



black RAL 9017



black RAL 9017
 white RAL 9003



black RAL 9017



black RAL 9017



black RAL 9017



black RAL 9017



white RAL 9003



white RAL 9003



yellow RAL 1023
 black RAL 9017



black RAL 9017



black RAL 9017



black RAL 9017

Finding tone

standard 65 dB (A)

without

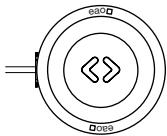
Supply voltage

16 – 63 VDC

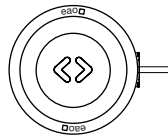
50 – 143 VDC

Cable exit (view from outside)

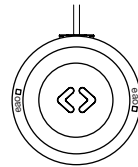
cable exit left



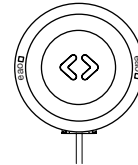
cable exit right



cable exit top



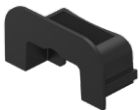
cable exit bottom



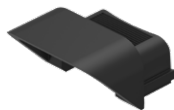
Cable cover

Standard

0°



45°



Funnel

0°



10°



15°



25°



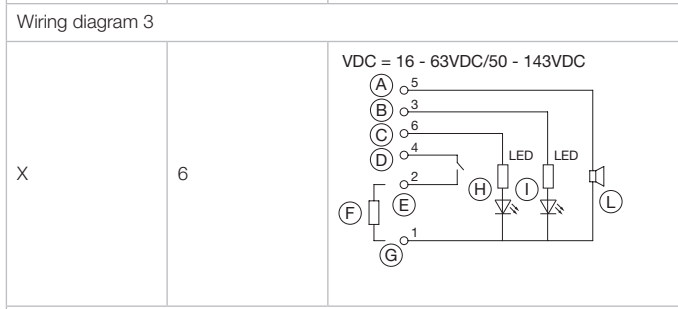
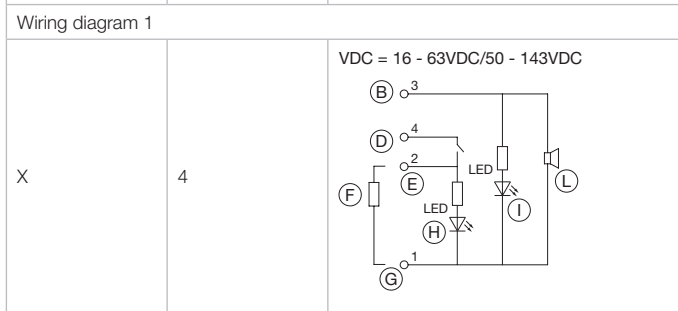
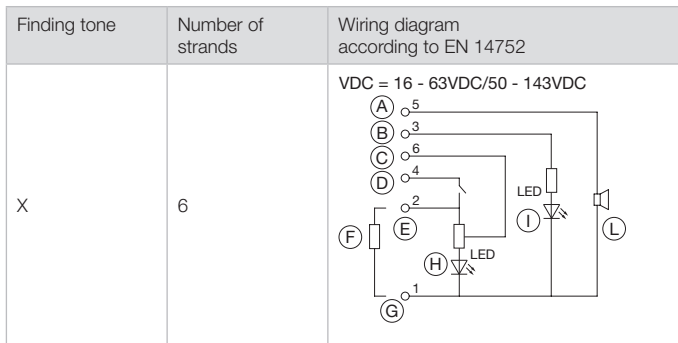
25° H24



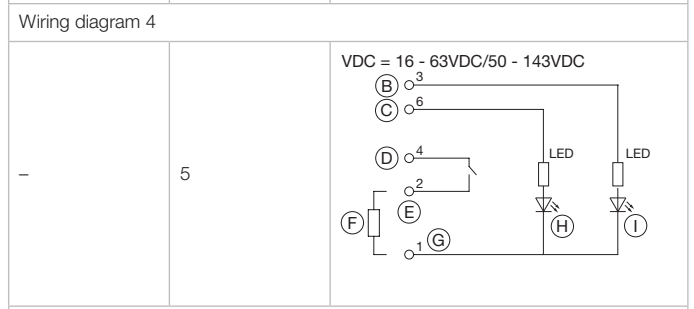
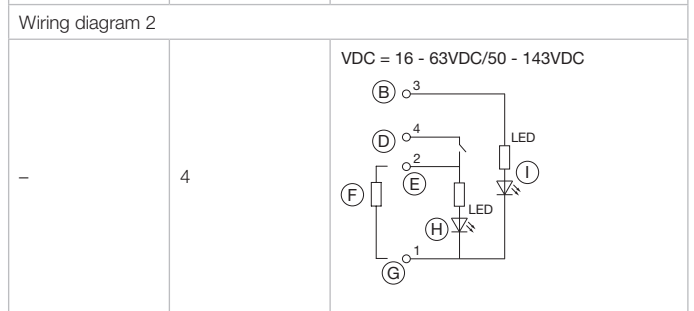
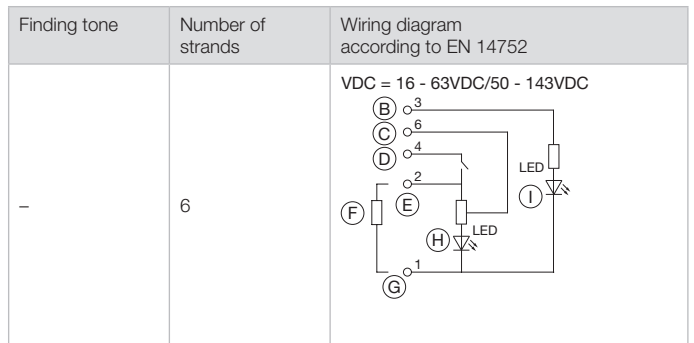
57 Glass mounting

Cable length				
<input type="checkbox"/> A = 200 mm (standard)	<input type="checkbox"/> A = 1000 mm	<input type="checkbox"/> A = 2000 mm	<input type="checkbox"/> _____ mm	<input type="checkbox"/> without cable

Cable and Connector type					
Cable	Wiring diagram	Connector	Connector pin assignment		
<input type="checkbox"/> 4 x 0.24 mm ²	3, 4	<input type="checkbox"/> Core end-sleeves		<input type="checkbox"/> standard	<input type="checkbox"/> special
<input type="checkbox"/> 4 x 0.50 mm ²	3, 4	<input type="checkbox"/> AMP MATE-N-LOK 794805-1 (4P)	1	Pin 1	—
<input type="checkbox"/> 6 x 0.24 mm ²	1, 2, 5, 6	<input type="checkbox"/> AMP MATE-N-LOK 794895-1 (6P)	2	Pin 2	—
<input type="checkbox"/> 6 x 0.50 mm ²	1, 2, 5, 6	<input type="checkbox"/> WAGO X-COM 769	3	Pin 3	—
		<input type="checkbox"/> AMP FASTIN-FASTON 180901 (4P)	4	Pin 4	—
		<input type="checkbox"/> DEUTSCH DT04-4P-C015 (4P)	5	Pin 5	—
		<input type="checkbox"/> DEUTSCH DT04-6P-C015 (6P)	6	Pin 6	—



Wiring diagram 5



Wiring diagram 6

Legend

- A = VDC finding tone
- B = VDC outer ring
- C = VDC inner ring
- D = VDC
- E = Switch (not potential-free)
- F = Load (max. 250 mA)
- G = 0 V
- H = Inner ring
- I = Outer ring
- L = Finding tone

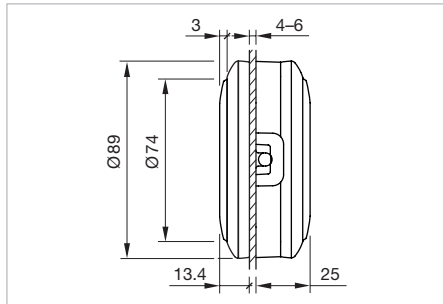
Double side pushbutton



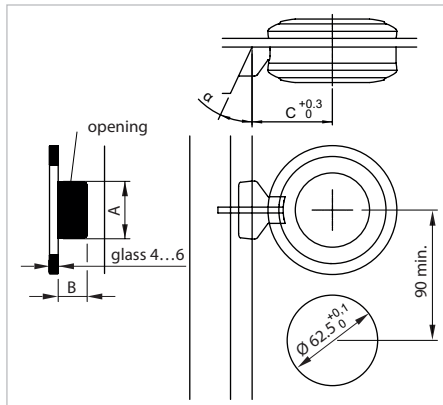
Musterabbildung kann von Ihrem ausgewählten Artikel abweichen.

Product features

- User friendly, extra large operating area of $\varnothing 74$ mm
- For glass thickness 4 – 6 mm
- Illuminable feedback rings; outer ring green and inner ring red
- Raised symbols conform to TSI PRM
- Integrated optional finding tone for visually impaired persons
- Cable cover and front bezel are available as single parts
- Please complete a separate order form at www.eao.com/downloads and deliver it to your local EAO distributor
- Part No. 57-12-xxxxxx (with cable)

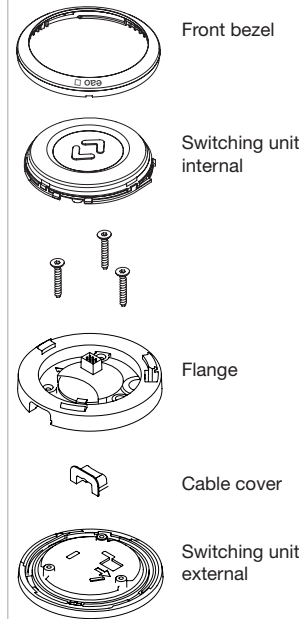


Dimensions [mm]



Mounting cut-outs [mm]

Equipment consisting of



	α (°)	A (mm)	B (mm)	C (mm)
Cable cover standard	0	18 max.	11.5 max.	45
Cable cover standard 45°	45	18 max.	11.5 max.	45
Cable cover funnel 0°	0	24 max.	17.5 max.	57
Cable cover funnel 10°	10	24 max.	17.5 max.	57
Cable cover funnel 15°	15	24 max.	17.5 max.	57
Cable cover funnel 25°	25	24 max.	17.5 max.	57
Cable cover funnel 25° H24	25	24 max.	21.5 max.	62.5













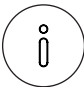



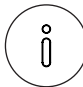









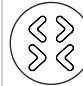

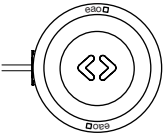
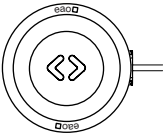
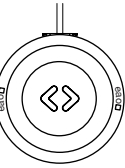
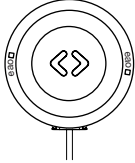
Front bezel external	
Plastic, colour similar RAL	Aluminium natural anodized
<input type="checkbox"/> green RAL 6032	<input type="checkbox"/> red RAL 3000
<input type="checkbox"/> blue RAL 5015	<input type="checkbox"/> yellow RAL 1023
<input type="checkbox"/> grey RAL 7040	<input type="checkbox"/> black RAL 9017
<input type="checkbox"/> night blue RAL 5022	
	<input type="checkbox"/> with dismantling opening
	<input type="checkbox"/> without dismantling opening

Front bezel internal	
Plastic, colour similar RAL	Aluminium
<input type="checkbox"/> green RAL 6032	<input type="checkbox"/> red RAL 3000
<input type="checkbox"/> blue RAL 5015	<input type="checkbox"/> yellow RAL 1023
<input type="checkbox"/> grey RAL 7040	<input type="checkbox"/> black RAL 9017
<input type="checkbox"/> night blue RAL 5022	
	<input type="checkbox"/> natural anodized

Symbol insert external	
Plastic, colour similar RAL	Aluminium
<input type="checkbox"/> green RAL 6032	<input type="checkbox"/> red RAL 3000
<input type="checkbox"/> blue RAL 5015	<input type="checkbox"/> yellow RAL 1023
<input type="checkbox"/> grey RAL 7040	<input type="checkbox"/> black RAL 9017
<input type="checkbox"/> night blue RAL 5022 (wheelchair)	
	<input type="checkbox"/> natural anodized

Symbol insert internal	
Plastic, colour similar RAL	Aluminium
<input type="checkbox"/> green RAL 6032	<input type="checkbox"/> red RAL 3000
<input type="checkbox"/> blue RAL 5015	<input type="checkbox"/> yellow RAL 1023
<input type="checkbox"/> grey RAL 7040	<input type="checkbox"/> black RAL 9017
<input type="checkbox"/> night blue RAL 5022 (wheelchair)	
	<input type="checkbox"/> natural anodized

57 Glass mounting

Symbol/Symbol colour similar RAL, external				Symbol/Symbol colour similar RAL, internal				
<input type="checkbox"/> Symbol plastic <input type="checkbox"/> Symbol aluminium, natural anodized				<input type="checkbox"/> Symbol plastic <input type="checkbox"/> Symbol aluminium, natural anodized				
 <input type="checkbox"/> black RAL 9017	 <input type="checkbox"/> black RAL 9017	 <input type="checkbox"/> black RAL 9017	 <input type="checkbox"/> black RAL 9017 <input type="checkbox"/> white RAL 9003	 <input type="checkbox"/> black RAL 9017	 <input type="checkbox"/> black RAL 9017	 <input type="checkbox"/> black RAL 9017	 <input type="checkbox"/> black RAL 9017 <input type="checkbox"/> white RAL 9003	
 <input type="checkbox"/> white RAL 9003	 <input type="checkbox"/> white RAL 9003			 <input type="checkbox"/> white RAL 9003	 <input type="checkbox"/> white RAL 9003			
<input type="checkbox"/> Symbol Aluminium, natural anodized				<input type="checkbox"/> Symbol Aluminium, natural anodized				
 <input type="checkbox"/> black RAL 9017	 <input type="checkbox"/> black RAL 9017	 <input type="checkbox"/> black RAL 9017	 <input type="checkbox"/> black RAL 9017	 <input type="checkbox"/> black RAL 9017	 <input type="checkbox"/> black RAL 9017	 <input type="checkbox"/> black RAL 9017	 <input type="checkbox"/> black RAL 9017	
 <input type="checkbox"/> yellow RAL 1023 <input type="checkbox"/> black RAL 9017	 <input type="checkbox"/> black RAL 9017	 <input type="checkbox"/> black RAL 9017	 <input type="checkbox"/> black RAL 9017	 <input type="checkbox"/> yellow RAL 1023 <input type="checkbox"/> black RAL 9017	 <input type="checkbox"/> black RAL 9017	 <input type="checkbox"/> black RAL 9017	 <input type="checkbox"/> black RAL 9017	
Finding tone external <input type="checkbox"/> standard 65 dB (A) <input type="checkbox"/> without				Finding tone internal <input type="checkbox"/> standard 65 dB (A) <input type="checkbox"/> without				
Supply voltage <input type="checkbox"/> 16 – 63 VDC <input type="checkbox"/> 50 – 143 VDC								
Cable exit (view from outside) <input type="checkbox"/> cable exit left				<input type="checkbox"/> cable exit right		<input type="checkbox"/> cable exit top		<input type="checkbox"/> cable exit bottom
								

Cable cover				
Standard				
<input type="checkbox"/> 0° 	<input type="checkbox"/> 45° 			
Funnel				
<input type="checkbox"/> 0° 	<input type="checkbox"/> 10° 	<input type="checkbox"/> 15° 	<input type="checkbox"/> 25° 	<input type="checkbox"/> 25° H24 

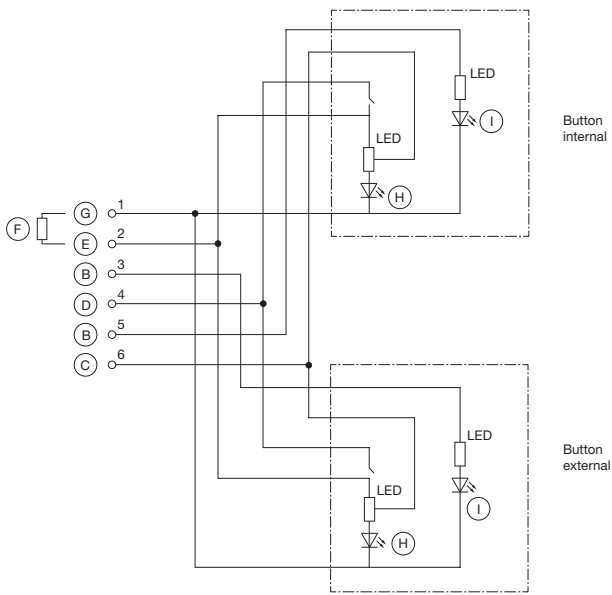
Cable length			
<input type="checkbox"/> A = 200 mm	<input type="checkbox"/> A = 1000 mm	<input type="checkbox"/> A = 2000 mm	<input type="checkbox"/> _____ mm

Cable and Connector type					
Cable	Wiring diagram	Connector	Connector pin assignment		
<input type="checkbox"/> 4 x 0.24 mm ²	3	<input type="checkbox"/> Core end-sleeves		<input type="checkbox"/> standard	<input type="checkbox"/> special
<input type="checkbox"/> 4 x 0.50 mm ²	3	<input type="checkbox"/> AMP MATE-N-LOK 794805-1 (4P)	1	Pin 1	—
<input type="checkbox"/> 6 x 0.24 mm ²	1, 2, 4	<input type="checkbox"/> AMP MATE-N-LOK 794895-1 (6P)	2	Pin 2	—
		<input type="checkbox"/> WAGO X-COM 769	3	Pin 3	—
		<input type="checkbox"/> AMP FASTIN-FASTON 180901 (4P)	4	Pin 4	—
		<input type="checkbox"/> DEUTSCH DT04-4P-C015 (4P)	5	Pin 5	—
		<input type="checkbox"/> DEUTSCH DT04-6P-C015 (6P)	6	Pin 6	—

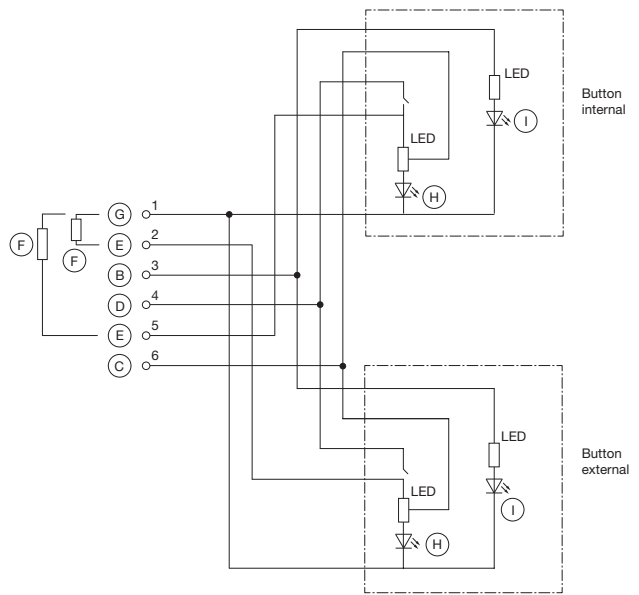
Wiring diagram select by function		
Function	Cable	Wiring diagram
<input type="checkbox"/> Diagram six pole, switch parallel, LED outer ring separately, LED inner ring parallel, without finding tone	6 x 0.24 mm ²	1
<input type="checkbox"/> Diagram six pole, switch separately, LED inner ring / outer ring parallel, without finding tone	6 x 0.24 mm ²	2
<input type="checkbox"/> Diagram four pole, switch parallel, LED outer ring parallel, without finding tone	4 x 0.24 mm ² 4 x 0.50 mm ²	3
<input type="checkbox"/> Diagram six pole, switch parallel, LED inner ring / outer ring parallel, with finding tone	6 x 0.24 mm ²	4

57 Glass mounting

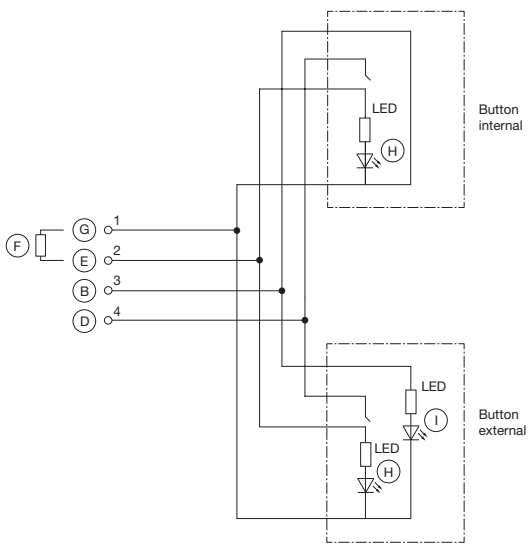
Wiring diagram



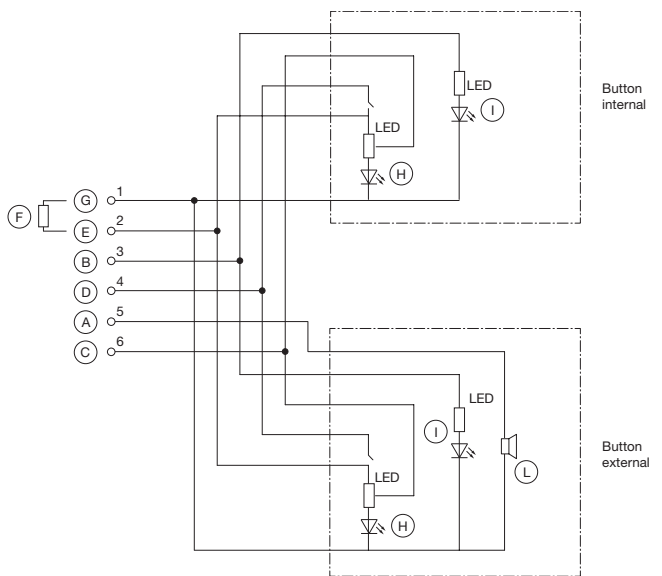
Wiring diagram 1



Wiring diagram 2



Wiring diagram 3



Wiring diagram 4

Legend

- A = VDC finding tone
- B = VDC outer ring
- C = VDC inner ring
- D = VDC
- E = Switch (not potential-free)
- F = Load (max. 250 mA)
- G = 0 V
- H = Inner ring
- I = Outer ring
- L = Finding tone

Front side

Front bezel flush, Front dimension Ø 89 mm

Colour	Front bezel	Part No.
RAL 9017 similar	Pastic black	57-300-000001
RAL 3000 similar	Plastic red	57-300-000007
RAL 1023 similar	Plastic yellow	57-300-000003
RAL 6032 similar	Plastic green	57-300-000004
RAL 5015 similar	Plastic blue	57-300-000002
RAL 7040 similar	Plastic grey	57-300-000005
RAL 5022 similar	Plastic night blue	57-300-000025
RAL 7004 similar	Aluminium natural anodized	57-300-000006
RAL 7004 similar	Aluminium natural anodized, without dismantling opening, only for outside of single-sided or double-sided pushbutton for glass mounting	57-300-000014


Front bezel flush, Front dimension Ø 127 mm

Colour	Front bezel	Part No.
RAL 1023 similar	Plastic yellow	57-300-000008
RAL 5015 similar	Plastic blue	57-300-000009


Front bezel raised, Front dimension Ø 99 mm

Colour	Front bezel	Part No.
RAL 3000 similar	Aluminium red anodized	57-300-000011
RAL 6032 similar	Aluminium green anodized	57-300-000024


Warning triangle flat, Front dimension 117 x 117 x 0.8 mm

Colour	Front bezel	Part No.
RAL 1023 similar	Plastic yellow, self-adhesive, for cable exit bottom	56-8000.B


Assembly aid Ø 85/45 mm x 15/25 mm

Colour	Front bezel	Part No.
-	Aluminium, assembly aid for warning triangle flat	56-988

57 Components

Cable cover



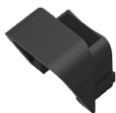
Cable cover Standard 0°

Material

Plastic

Part No.

57-9907



Cable cover Standard 45°

Material

Plastic

Part No.

57-9908



Cable cover Trichter 0°

Material

Plastic

Part No.

57-9909



Cable cover Trichter 10°

Material

Plastic

Part No.

57-9910



Cable cover Trichter 15°

Material

Plastic

Part No.

57-9911



Cable cover Trichter 25°

Material

Plastic

Part No.

57-9912



Cable cover Trichter 25° H24

Material

Plastic

Part No.

57-9913

Mounting



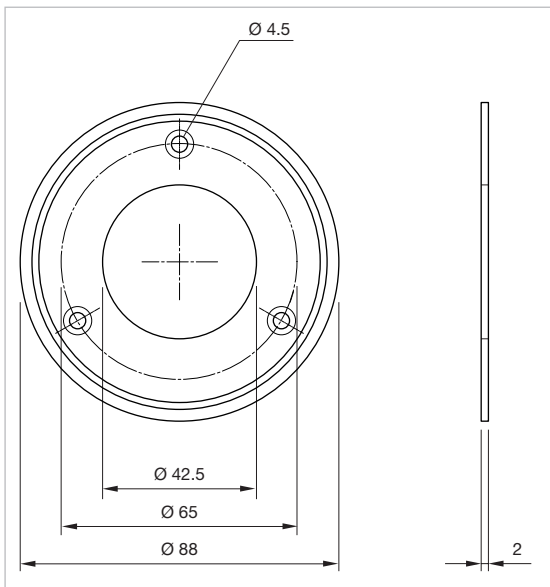
Dismantling tool

Product attributes	Part No.
To front bezel	57-9901



Mounting plate

Dimension	Mounting cut-out	Material	Part No.
Ø 88 mm	Ø 42.5 mm	Chrome	57-9905



Abmessungen [mm]

57 Accessories



Mounting set for rear mounting

Product attribute	Art.-Nr.
For front panel thickness 2 mm (front bezel is not required)	57-9920A



Mounting set for rear mounting

Product attribute	Art.-Nr.
For front panel thickness 3 mm (front bezel is not required)	57-9921A



Mounting enclosure flush version

Product attribute	Dimension	Mounting cut-out	Material	Art.-Nr.
Suitable for the most common in-wall flush boxes	100 mm x 100 mm	Ø 45 mm	Plastic black	57-9903



Mounting enclosure surface version

Product attribute	Dimension	Mounting cut-out	Material	Art.-Nr.
For direct wall mounting, with cable relief, break-out cable entries	100 mm x 100 mm	Ø 45 mm	Plastic black	57-9904

Single side pushbutton

Switching system

The Series 57 is equipped with an electronic high side switch, is short circuit proof and overload protected. In case of over current the switch opens automatically (protection against destruction). The pushbutton is not potential-free.

Material

Connection cable

Halogen-free, flame retardant, cross-linked by e-beam irradiation
Polymer according to EN 50306-2

Front bezel

Plastic
Aluminium natural anodized

Housing

Plastic

Symbol insert

Plastic
Aluminium natural anodized

Lens/Symbols

Plastic

Mechanical characteristics

Terminals

AMP MATE-N-LOK
WAGO X-COM 769
DEUTSCH connector
AMP FASTIN-FASTON
Open ends with core end-sleeves

Wire cross-section

Wire 4-/6-poles 0.24 mm²
Wire 4-/6-poles 0.5 mm²

Cable length

200 mm, 1000 mm, 2000 mm

Fixing screws

Countersunk screws M4 x 10 mm

Tightening torque

max. 1 Nm

Key (mounting and dismantling)

Hexagon socket wrench size 2.5 mm

Actuating force

max. 15 N

Actuating travel

~0.5 mm

Mechanical lifetime

> 8 million cycles of operation

Electrical characteristics

Illumination

Side-LED green for outer ring
Side-LED red for inner ring

Luminosity and wave length variations caused by LED manufacturing processes may cause slight differences regarding the illumination

Finding tone

Standard tone sequence tone 1: 500 Hz, Tone 2: 700 Hz
Sound pressure level: 65 dB (A) ± 4 dB @ 10 cm
(see graphic in «Application guidelines»)

Units compliant to

EN 60947-5-1
EN 50155
EN14752
EN 45545

EMC

EN 61000-6-2
EN 61000-6-3
EN 50121-3-2
ESD min. 20 kV

Cables according to

EN 50306-2; VDE 0260-306-2
EN 50306-4; VDE 0260-306-4
EN 45545
NFF 63808/NFF 61030
ECE R118

Symbols

TSI PRM (EBC)

Operating voltage

16 ... 63 VDC (min./max.)
50 ... 143 VDC (min./max.)

Switch rating

max. 250 mA

Standby current

16 ... 63 VDC without tone: < 2 mA @ 24 VDC
50 ... 143 VDC without tone: < 2 mA @ 110 VDC
16 ... 63 VDC with tone: < 10 mA @ 24 VDC
50 ... 143 VDC with tone: < 4 mA @ 110 VDC
16 ... 63 VDC with tone and illumination: < 20 mA @ 24 VDC

Note: Only pin 1 (0 V) und pin 4 (VDC) connected

57 Technical data

Electric strength

4000 VAC, 50 Hz, 1 min, between all terminals and mounting plate/
front element

Environmental conditions

Storage temperature

-45 °C ... +90 °C

Operating temperature

-40 °C ... +85 °C

Protection degree

Front side IP69K

Rear side IP67

Impact resistance

IK07

Climate resistance

Damp heat, cyclic

48 hours, +25 °C/97 %, +55 °C/93 % relative humidity,
as per EN IEC 60068-2-30

Damp heat, state

56 days, +40 °C/93 % relative humidity, as per
EN IEC 60068-2-78

Salt spray 96 h (DIN EN 60068-2-11)

Rapid change of temperature

5 cycles, -45 °C ... +90 °C, as per EN IEC 60068-2-14

Shock resistance

50 g, pulse width 11 ms, 6 shocks/axis as per

DIN EN 60068-2-27

Vibration resistance

Broad band noise as per EN 61373 class 1B

10 g from 10 Hz ... 500 Hz, as per DIN EN 60068-2-6

Approvals

Approbations

CCC

E1 Regulation No. 10

E1 118RII

TSI PRM (EBC)

Declaration of conformity

CE

2014/30/EU (EMC)

1300/2014/EU (TSI PRM)

2011/65/EU (RoHS)

Indicator

Material

Connection cable

Halogen-free, flame retardant, cross-linked by e-beam irradiation
Polymer according to EN 50306-2

Lens

Plastic

Front bezel

Plastic

Housing

Plastic

Wire cross-section

Cable 2-poles 0.5 mm²

Cable 4-poles 0.5 mm²

Cable length

200 mm, 1000 mm, 2000 mm

Fixing screws

Countersunk screws M4 x 10 mm

Tightening torque

max. 1 Nm

Key (mounting and dismantling)

Hexagon socket wrench size 2.5 mm

Mechanical characteristics

Terminals

AMP MATE-N-LOK

WAGO X-COM 769

DEUTSCH connector

AMP FASTIN-FASTON

Open ends with core end-sleeves

Electrical characteristics

Illumination

Single-colour: LED red, yellow, green, blue, white
 Bicolour: LED red/yellow, red/green, blue/white

Supply voltage 24 VDC ±30 %
 110 VDC ±30 %

Current consumption <60mA

Luminosity and wave length variations caused by LED manufacturing processes may cause slight differences regarding the illumination.

Units compliant to

EN 50155

EN 45545

EMC

EN 61000-6-2

EN 61000-6-3

EN 50121-3-2

Cables according to

EN 50306-2; VDE 0260-306-2

EN 50306-4; VDE 0260-306-4

EN 45545

NFF 63808/NFF 61030

ECE R118

Environmental conditions

Storage temperature

-45 °C ... +90 °C

Operating temperature

-40 °C ... +85 °C

Protection degree

Front side IP69K

Rear side IP67

Impact resistance

IK07

Climate resistance

Damp heat, state

56 days, +40 °C/93 % relative humidity,
 as per EN IEC 60068-2-78

Rapid change of temperature

5 cycles, -45 °C ... +90 °C, as per EN IEC 60068-2-14

Shock resistance

(semi-sinusoidal)

max. 500 m/s², pulse width 11 ms, as per EN IEC 60068-2-27

Vibration resistance

(sinusoidal)

max. 100 m/s² at 10 Hz ... 500 Hz, as per EN IEC 60068-2-6

Approvals

Approbations

CCC

E1 118RII

Declaration of conformity

CE

2014/30/EU (EMC)

1300/2014/EU (TSI PRM)

2011/65/EU (RoHS)

Warning indicator

Material

Connection cable

Halogen-free, flame retardant, cross-linked by e-beam irradiation
 Polymer according to EN 50306-2

Lens

Plastic

Front bezel

Plastic

Housing

Plastic

Mechanical characteristics

Terminals

AMP MATE-N-LOK

WAGO X-COM 769

DEUTSCH connector

AMP FASTIN-FASTON

Open ends with core end-sleeves

Wire cross-section

Cable 2-poles 0.5 mm²

Cable length

200 mm; 1000 mm; 2000 mm

57 Technical data

Fixing screws

Countersunk screws M4 x 10 mm

Tightening torque

max. 1 Nm

Key (mounting and dismantling)

Hexagon socket wrench size 2.5 mm

Electrical characteristics

Illumination

LED red, yellow

Supply voltage 24 VDC \pm 30 v%

110 VDC \pm 30 %

Current consumption < 50 mA

Luminosity and wave length variations caused by LED manufacturing processes may cause slight differences regarding the illumination

Units compliant to

EN 50155

EMC

EN 61000-6-2

EN 61000-6-3

EN 50121-3-2

Cables according to

DIN EN 50306-2; VDE 0260-306-2

DIN EN 50306-4; VDE 0260-306-4

EN 45545

NFF 63808/NFF 61030

ECE R118

Environmental conditions

Storage temperature

-45 °C ... +90 °C

Operating temperature

-40 °C ... +85 °C

Protection degree

Front side IP69K

Rear side IP67

Impact resistance

IK07

Climate resistance

Damp heat, state

56 days, +40 °C/93 % relative humidity,

as per EN IEC 60068-2-78

Rapid change of temperature

5 cycles, -45 °C ... +90 °C, as per EN IEC 60068-2-14

Shock resistance

(semi-sinusoidal)

max. 500 m/s², pulse width 11 ms, as per EN IEC 60068-2-27

Vibration resistance

(sinusoidal)

max. 100 m/s² at 10 Hz ... 500 Hz, as per EN IEC 60068-2-6

Approvals

Approbations

CCC

E1 118RII

Declaration of conformity

CE

2014/30/EU (EMC)

1300/2014/EU (TSI PRM)

2011/65/EU (RoHS)

Call for aid pushbutton

Switching system

The Series 57 is equipped with an electronic high side switch, is short circuit proof and overload protected. In case of over current the switch opens automatically (protection against destruction). The pushbutton is not potential-free.

Material

Connection cable

Halogen-free, flame retardant, cross-linked by e-beam irradiation
Polymer according to EN 50306-2

Front bezel

Aluminium anodized
Plastic

Housing

Plastic

Symbol insert

Plastic
Aluminium anodized

Lens / Symbols

Plastic

Mechanical characteristics

Terminals

AMP MATE-N-LOK
WAGO X-COM 769
DEUTSCH connector
AMP FASTIN-FASTON
Open ends with core end-sleeves

Wire cross-section

Wire 4-/6-poles 0.24 mm²
Wire 4-/6-poles 0.5 mm²

Cable length

200 mm, 1000 mm, 2000 mm

Fixing screws

Countersunk screws M4 x 10 mm

Tightening torque

max. 1 Nm

Key (mounting and dismantling)

Hexagon socket wrench size 2.5 mm

Actuating force

max. 15 N

Actuating travel

~0.5 mm

Mechanical lifetime

> 8 million cycles of operation

Electrical characteristics

Illumination

Side-LED yellow or green for outer ring
Side-LED yellow or red for inner ring

Luminosity and wave length variations caused by LED manufacturing processes may cause slight differences regarding the illumination

Finding tone

Standard tone sequence tone 1: 500 Hz, Tone 2: 700 Hz
Sound pressure level: 65 dB (A) ± 4 dB @ 10 cm
(see graphic in «Application guidelines»)

Units compliant to

EN 60947-5-1
EN 50155
EN 16584-1
EN 16584-2
EN 16683

EMV

EN 61000-6-2
EN 61000-6-3
EN 50121-3-2
ESD mind. 20 kV
EN 45545

Cables according to

EN 50306-2; VDE 0260-306-2
EN 50306-4; VDE 0260-306-4
EN 45545
NFF 63808 / NFF 61030
ECE R118

Symbole

TSI PRM (EBC)

Operating voltage

16 ... 63 VDC (min./max.)

Switch rating

max. 250 mA

Standby current

16 ... 63 VDC: < 2 mA @ 24 VDC

Note: Only pin 1 (0 V) und pin 4 (VDC) connected

57 Technical data

Electric strength

4000 VAC, 50 Hz, 1 min, between all terminals and mounting plate/
front element

Shock resistance

50 g, pulse width 11 ms, 6 shocks/axis as per
DIN EN 60068-2-27

Environmental conditions

Storage temperature

-45 °C ... +90 °C

Operating temperature

-40 °C ... +85 °C

Protection degree

Front side IP69K

Rear side IP67

Impact resistance

IK07

Climate resistance

Damp heat, cyclic

48 hours, +25 °C / 97 %, +55 °C / 93 % relative humidity,
as per EN IEC 60068-2-30

Damp heat, state

56 days, +40 °C / 93 % relative humidity, as per

EN IEC 60068-2-78

Salt spray 96 h (DIN EN 60068-2-11)

Rapid change of temperature

5 cycles, -45 °C ... +90 °C, as per EN IEC 60068-2-14

Vibration resistance

Broad band noise as per EN 61373 class 1B

10 g from 10 Hz ... 500 Hz, as per DIN EN 60068-2-6

Approvals

Approbations

CCC

E1 Regulation No. 10

E1 118RII

TSI PRM (EBC)

Declaration of conformity

CE

2014/30/EU (EMC)

1300/2014/EU (TSI PRM)

2011/65/EU (RoHS)

Pushbutton Glass mounting

Switching system

The Series 57 is equipped with an electronic high side switch, is
short circuit proof and overload protected. In case of over current
the switch opens automatically (protection against destruction).

The pushbutton is not potential-free.

Material

Connection cable

Halogen-free, flame retardant, cross-linked by e-beam irradiation

Polymer according to EN 50306-2

Front bezel

Plastic

Aluminium natural anodized

Housing

Plastic

Flange

Plastic

Symbol insert

Plastic

Aluminium natural anodized

Lens / Symbols

Plastic

Mechanical characteristics

Terminals

AMP MATE-N-LOK

WAGO X-COM 769

DEUTSCH connector

AMP FASTIN-FASTON

Open ends with core end-sleeves

Wire cross-section

Wire 4-/6-poles 0.24 mm²

Wire 4-/6-poles 0.5 mm²

Wire 6 x 0.5 mm² (single side pushbutton)

Cable length

200 mm, 1000 mm, 2000 mm

Fixing screws

Single side pushbutton: PT head screw Torx K30x20

Double side pushbutton: PT head screw Torx K30x10

The screws are included in delivery.

Tightening torque

Single side pushbutton: max. 0.7 Nm

Double side pushbutton: max. 0.5 Nm

Key (mounting and dismantling)

Single side pushbutton: Torx plus 8 IP

Double side pushbutton: Torx plus 10 IP

Actuating force

max. 15 N

Actuating travel

~0.5 mm

Mechanical lifetime

>8 million cycles of operation

Electrical characteristics

Illumination

Side-LED green for outer ring

Side-LED red for inner ring

Luminosity and wave length variations caused by LED manufacturing processes may cause slight differences regarding the illumination

Finding tone

Standard tone sequence tone 1: 500 Hz, Tone 2: 700 Hz

Sound pressure level: 65 dB (A) ±4 dB @ 10cm

(see graphic in «Application guidelines»)

Units compliant to

EN 60947-5-1

EN 50155

EN14752

EN 45545

EMC

EN 61000-6-2

EN 61000-6-3

EN 50121-3-2

ESD min. 20 kV

Cables according to

EN 50306-2; VDE 0260-306-2

EN 50306-4; VDE 0260-306-4

EN 45545

NFF 63808/NFF 61030

ECE R118

Symbols

TSI PRM (EBC)

Operating voltage

16...63 VDC (min./max.)

50...143 VDC (min./max.)

Switch rating

max. 250 mA

Standby current

Single side pushbutton

16...63 VDC without tone: < 2 mA @ 24 VDC

50...143 VDC without tone: < 2 mA @ 110 VDC

16...63 VDC with tone: < 10 mA @ 24 VDC

50...143 VDC with tone: < 4 mA @ 110 VDC

16...63 VDC with tone and illumination: < 20 mA @ 24 VDC

Double side pushbutton

16...63 VDC without tone: < 4 mA @ 24 VDC

50...143 VDC without tone: < 4 mA @ 110 VDC

16...63 VDC with tone: < 20 mA @ 24 VDC

50...143 VDC with tone: < 8 mA @ 110 VDC

Note: Only pin 1 (0 V) und pin 4 (VDC) connected

Electric strength

4000 VAC, 50 Hz, 1 min, between all terminals and mounting plate/front element

Environmental conditions

Storage temperature

-45 °C...+90 °C

Operating temperature

-40 °C...+85 °C

Protection degree

Front side IP69K

Rear side IP67

Cable grommet to door frame IP40

Impact resistance

IK07

57 Technical data

Climate resistance

Damp heat, cyclic

48 hours, +25 °C / 97 %, +55 °C / 93 % relative humidity,
as per EN IEC 60068-2-30

Damp heat, state

56 days, +40 °C / 93 % relative humidity, as per
EN IEC 60068-2-78

Salt spray 96 h (DIN EN 60068-2-11)

Rapid change of temperature

5 cycles, -45 °C ... +90 °C, as per EN IEC 60068-2-14

Shock resistance

50 g, pulse width 11 ms, 6 shocks/axis as per
DIN EN 60068-2-27

Vibration resistance

Broad band noise as per EN 61373 class 1B

10 g from 10 Hz ... 500 Hz, as per DIN EN 60068-2-6

Approvals

Approbations

CCC

E1 Regulation No. 10

E1 118RII

TSI PRM (EBC)

Declaration of conformity

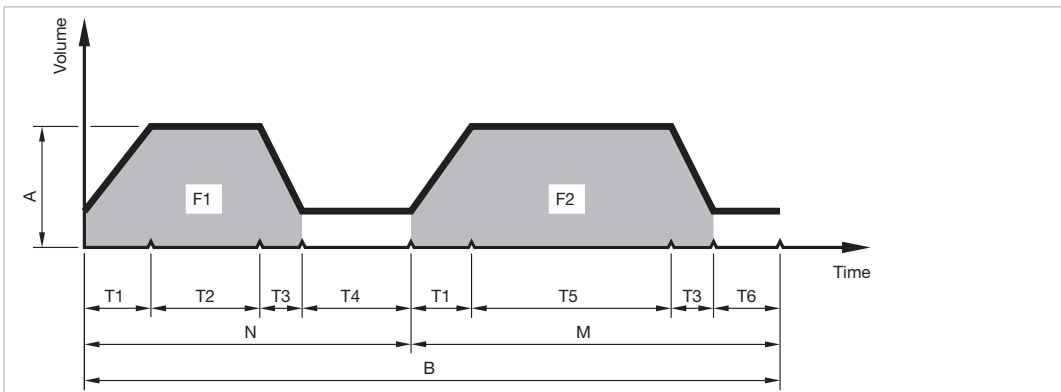
CE

2014/30/EU (EMC)

1300/2014/EU (TSI PRM)

2011/65/EU (RoHS)

EAO reserves the right to alter specifications without further notice.

Finding tone


Diagram

F1	Frequency 1 of a tone sequence
T2	Playing time tone 1
T4	Break
N	Number of repetitions of tone 1
F2	Frequency 2 of a tone sequence
T5	Playing time tone 2
T6	Break
M	Number of repetitions of tone 2
A	Volume level (± 8 dB) @ 10 cm
B	Number of repetitions of the complete tone sequence, or blockage of the tone sequence
T1	Fade-in tone 1 and 2
T3	Fade-out tone 1 and 2

Tone sequence		
	Parameter	Standard Finding tone
Tone 1	F1	500 Hz
	T2	100 ms
	T4	200 ms
	N	1
Tone 2	F2	700 Hz
	T5	100 ms
	T6	900 ms
	M	1
General	A	65 dB (A)
	B	∞
	T1	100 ms
	T3	100 ms

X-ON Electronics

Largest Supplier of Electrical and Electronic Components

Click to view similar products for [Pushbutton Switches](#) category:

Click to view products by [EAO](#) manufacturer:

Other Similar products are found below :

[LW1L-M1C10V-A](#) [LW2L-A1C20M-GD](#) [LW2L-M1C20M-A](#) [60324L](#) [M7E-HRN2](#) [67021K512](#) [67081K512X](#) [701PB580](#) [719-5504-000](#)
[MDPSSGLFS](#) [810KSV30B](#) [MML23KA3AC05K-001](#) [MML23KW3AA01W](#) [8418K2](#) [8646AB6X718UL](#) [8646ABUL](#) [FSDWH](#) [9001KXRK](#)
[9001T8BK](#) [9533CD4+U574+U4922](#) [1203MRA](#) [A22EM01S](#) [A595](#) [1202A6](#) [12037A2ULCSA](#) [1203A2UL](#) [ABD122N-B](#) [1211390004](#)
[ABN111-Y](#) [1211500044](#) [1211580012](#) [1212MRA](#) [1232A6NF](#) [RA3CSH6A](#) [1241.1183.7047](#) [1241.2511](#) [1241.3428](#) [1223A2ULCSA](#)
[1223MRA](#) [1232AX2119](#) [1241.1183.8000](#) [1241.1183.8029](#) [1241.2506](#) [1241.2606](#) [12MA6](#) [1301940184](#) [RELBARF6X10\(PLASTIC\)](#)
[13435AG](#) [13440AD2G25X822+U4546](#) [13445A4GX768](#)