

Series 61

16 mm 22.5 mm 21x21 mm 21x27 mm IP65 5A 250VAC



Choose one component from each of the coloured sections to assemble a complete switch. For other options or further information please contact your local sales office.

Product Profile

The Series 61 is a high quality, modular switch range that includes pushbuttons, indicators, selector switches, keylock switches and Emergency-stops. Available in raised or flush mount.

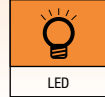
Self cleaning snap-action and slow-make switching elements available.

Technical data see page 103

- IP65 Protection
- Switch Rating, 5A, 250VAC
- Raised Mounting into 16 mm cut out
- Flush Mounting into 22.5 mm, 21 x 21 mm and 21 x 27 mm cut out
- Illumination using midget-grooved T13/4 lamps or single chip LED's
- All standard lenses are transparent with translucent diffuser available in different colours
- For keylock switches 135 different keys are available

Indicator	LED	Accessories	Accessories	Ordering Guide	
				Choice of front bezel determines front shape	
For a complete indicator you will need to order the appropriate LED, lens and bezel (for flush mount only)					
Illuminated pushbutton	Switching element	LED	Accessories	Accessories	Accessories
For a complete illuminated pushbutton you will need to order the appropriate contact block, LED, lens and bezel (for flush mount only)					
Keylock switch	Switching element	Switching element	Accessories	Accessories	Accessories
For a complete keylock switch you will need to order the appropriate LED, lens and bezel (for flush mount only)					
Selector switch	Switching element	Switching element	LED	Accessories	Accessories
For a complete selector switch you will need to order the appropriate contact block, LED, lever and bezel (for flush mount only)					

Choose one component from each of the coloured sections to assemble a complete switch.
For other options or further information please contact your local sales office.



Indicator **Illuminated pushbutton**



Indicator bodies, raised, round, square and rectangular, black plastic, 16 mm mounting

Image	Part No.	Size
1	61-0050.02	24x24 mm
2	61-0030.02	18x24 mm
3	61-0020.02	18x18 mm
4	61-0010.02	18 mm Ø



Indicator body for flush mount, black plastic, 22.5 mm mounting

Image	Part No.
1	61-0000.02



Illuminated pushbutton actuator, raised, round, square and rectangular, black plastic, 16 mm mounting

Image	Part No.	Function	Size
1	61-1150.0	Momentary	24x24 mm
1	61-1250.0	Maintained	24x24 mm
2	61-1130.0	Momentary	18x24 mm
2	61-1230.0	Maintained	18x24 mm
3	61-1120.0	Momentary	18x18 mm
3	61-1220.0	Maintained	18x18 mm
4	61-1110.0	Momentary	18 mm Ø
4	61-1210.0	Maintained	18 mm Ø

For complete switch also order **A**

For complete switch also order **A**

For complete switch also order **A**

Illuminated pushbutton **Emergency-stop switch** **Keylock switch**



Illuminated flush mount pushbutton actuator, round, black plastic, 22.5 mm mounting

Part No.	Function
61-1100.0	Momentary
61-1200.0	Maintained



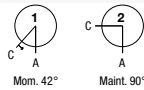
Emergency-stop, twist release and key release, 27 mm diameter for 16 mm mounting, foolproof to EN 60947-5-5 and DIN EN ISO 13850

Part No.	Product reference
61-3440.4/1	Twist release
61-5441.4/K	Key release



Keylock switch, actuator, 2 position for raised and flush mount

Graphic	Part No.	Function	Key rem.
1	61-2101.0/D	Momentary	A
2	61-2201.0/D	Maintained	A
2	61-2203.0/D	Maintained	C
2	61-2205.0/D	Maintained	C + A



For flush mount order front bezel and front bezel set

For complete switch also order **A**

For complete switch also order **A**

For complete switch also order **A**

Series 61

16mm 22.5mm 21x21mm 21x27mm IP65 5A 250VAC



Choose one component from each of the coloured sections to assemble a complete switch.
For other options or further information please contact your local sales office.

Keylock switch				Selector switch													
Keylock switch, actuator, 3 position for raised and flush mount		Keylock switch, actuator, 3 position for raised and flush mount		Selector switch, actuator, 2 and 3 position for raised and flush mount													
 Mom. 42°		 Maint. 90°		 Maint. 90° / Mom. 42°		 Mom. 42°		 Maint. 90°		 Mom. 42°		 Maint. 90°		 Maint. 90° / Mom. 42°		 Maint. 90° / Mom. 42°	
Graphic	Part No.	Function	Key rem.	Graphic	Part No.	Function	Key rem.	Graphic	Part No.	Function							
3	61-2501.0/D	Momentary/Momentary	A	5	61-2701.0/D	Maintained/Momentary	A	7	61-4110.0	Momentary							
4	61-2601.0/D	Maintained/Maintained	A	5	61-2703.0/D	Maintained/Momentary	C	8	61-4210.0	Maintained							
4	61-2602.0/D	Maintained/Maintained	B	5	61-2705.0/D	Maintained/Momentary	C + A	9	61-4510.0	Momentary/Momentary							
4	61-2603.0/D	Maintained/Maintained	C	6	61-2801.0/D	Momentary/Maintained	A	10	61-4610.0	Maintained/Maintained							
4	61-2604.0/D	Maintained/Maintained	A + B	6	61-2802.0/D	Momentary/Maintained	B	11	61-4710.0	Maintained/Momentary							
4	61-2605.0/D	Maintained/Maintained	C + A	6	61-2804.0/D	Momentary/Maintained	A + B	12	61-4810.0	Momentary/Maintained							
4	61-2606.0/D	Maintained/Maintained	C + B														
4	61-2607.0/D	Maintained/Maintained	C + A + B														
For flush mount order front bezel and front bezel set				For flush mount order front bezel and front bezel set													

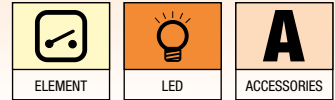
For complete switch also order **A**

For complete switch also order **A**

For complete switch also order **A**

Contact block									
Contact block for pushbuttons and 2 position keylock and selector switches, snap-action, solder/plug-in terminal			Emergency-stop contact block, slow make, screw terminal or solder/plug-in terminal				Contact block, 3 position keylock and selector switch, snap-action, solder/plug-in terminal		
Part No.	Contact type	Contact material	Image	Part No.	Contact type	Contact material	Part No.	Contact type	Contact material
61-8410.12	1NO	Silver	1	61-8755.11	2NC	Silver	61-8520.12	2NO	Silver
61-8410.22	1NO	Gold	2	61-8755.17	2NC	Silver	61-8520.22	2NO	Gold
61-8420.12	2NO	Silver	1	61-8775.11	1NO/1NC	Silver			
61-8420.22	2NO	Gold	2	61-8775.17	1NO/1NC	Silver			
61-8470.12	1NO/1NC	Silver							
61-8470.22	1NO/1NC	Gold							

Choose one component from each of the coloured sections to assemble a complete switch.
For other options or further information please contact your local sales office.



LED



LED, T1¼ MG, single chip, 12 Volt and 28 Volt.
Also available in 6 Volt, 24 Volt and 48 Volt

Colour	Part No.	Voltage
● Red	10-2J09.1062	12VAC/DC, 7/14mA
● Yellow	10-2J09.1064	12VAC/DC, 7/14mA
● Green	10-2J09.1065	12VAC/DC, 7/14mA
● Blue	10-2J09.1066	12VAC/DC, 7/14mA
○ White	10-2J09.1069	12VAC/DC, 7/14mA
● Red	10-2J13.1062	28VAC/DC, 7/14mA
● Yellow	10-2J13.1064	28VAC/DC, 7/14mA
● Green	10-2J13.1065	28VAC/DC, 7/14mA
● Blue	10-2J13.1066	28VAC/DC, 7/14mA
○ White	10-2J13.1069	28VAC/DC, 7/14mA

A Accessories



Lens, plastic for raised, rectangular indicator and pushbutton actuators

Colour	Part No.	for switch
● Red	61-9331.2	18x24 mm
● Yellow	61-9331.4	18x24 mm
● Green	61-9331.5	18x24 mm
● Blue	61-9331.6	18x24 mm
○ Clear	61-9331.7	18x24 mm



Lens, plastic for raised, square indicator and pushbutton actuators

Colour	Part No.	for switch
● Red	61-9351.2	24x24 mm
● Yellow	61-9351.4	24x24 mm
● Green	61-9351.5	24x24 mm
● Blue	61-9351.6	24x24 mm
○ Clear	61-9351.7	24x24 mm

A Accessories



Lens, plastic for raised, square indicator and pushbutton actuators

Colour	Part No.	for switch
● Red	61-9321.2	18x18 mm
● Yellow	61-9321.4	18x18 mm
● Green	61-9321.5	18x18 mm
● Blue	61-9321.6	18x18 mm
○ Clear	61-9321.7	18x18 mm



Lens, plastic for raised, round indicator and pushbutton actuators

Colour	Part No.	for switch
● Red	61-9311.2	18 mm Ø
● Yellow	61-9311.4	18 mm Ø
● Green	61-9311.5	18 mm Ø
● Blue	61-9311.6	18 mm Ø
○ Clear	61-9311.7	18 mm Ø



Lens, plastic for flush mount, rectangular indicator and pushbutton actuators

Colour	Part No.	for switch
● Red	61-9681.2	24x30 mm
● Yellow	61-9681.4	24x30 mm
● Green	61-9681.5	24x30 mm
● Blue	61-9681.6	24x30 mm
○ Clear	61-9681.7	24x30 mm

Series 61

16 mm 22.5 mm 21x21 mm 21x27 mm IP65 5 A 250VAC



Choose one component from each of the coloured sections to assemble a complete switch.
For other options or further information please contact your local sales office.

A Accessories



Lens, plastic for flush mount, round indicator and pushbutton actuators

Colour	Part No.
● Red	61-9642.2
● Yellow	61-9642.4
● Green	61-9642.5
● Blue	61-9642.6
○ Clear	61-9642.7



Lens, plastic for flush mount, square indicator and pushbutton actuators

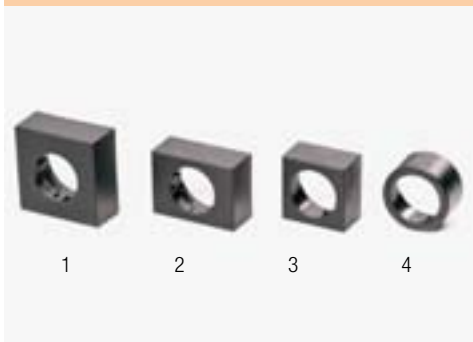
Colour	Part No.	for switch
● Red	61-9671.2	24 x 24 mm
● Yellow	61-9671.4	24 x 24 mm
● Green	61-9671.5	24 x 24 mm
● Blue	61-9671.6	24 x 24 mm
○ Clear	61-9671.7	24 x 24 mm



Lever for selector switch, raised and flush mount, coloured lever bar options available as indicated

Colour	Part No., Raised	Part No., Flush mount
● Red	52-928.20	61-9028.20
● Yellow	52-928.40	61-9028.40
● Green	52-928.50	61-9028.50
● Blue	52-928.60	61-9028.60
○ White	52-928.9	61-9028.9
● Black	52-928.0	61-9028.0

A Accessories



Keylock switch front bezel, raised black plastic

Image	Part No.	for switch
1	61-9250.0	24 x 24 mm
2	61-9230.0	18 x 24 mm
3	61-9220.0	18 x 18 mm
4	61-9210.0	18 mm Ø



Keylock switch front bezel, flush mount or raised, black plastic

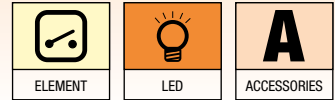
Image	Part No.	for switch
1	61-9230.0	24 x 30 mm
2	61-9220.0	24 x 24 mm
3	61-9210.0	25 mm Ø



Front bezel set for flush mount indicator, illuminated pushbutton and square and rectangular keylock switch

Image	Part No.	Material	Size
1	61-9933.10	Plastic black	25 mm Ø
2	61-9933.0	Aluminium nat.	25 mm Ø
3	61-9931.0	Plastic black	24 x 30 mm
4	61-9930.0	Plastic black	24 x 24 mm

Choose one component from each of the coloured sections to assemble a complete switch.
For other options or further information please contact your local sales office.



A Accessories



Front bezel set for round flush mount selector, round keylock switch and square selector switch

Image	Part No.	Material	Size
1	61-9932.10	Plastic black	25 mm Ø
2	61-9936.0	Plastic black	24x24 mm
3	61-9932.0	Aluminium nat.	25 mm Ø



Flap guard, raised and flush mount

Image	Part No.	Size	Mounting
1	61-9922.0	24x30 mm	Flush
2	61-9921.0	24x24 mm	Flush
3	61-9924.0	25 mm Ø	Flush
4	61-9920.0	24x24 mm	Raised
5	51-925	18x24 mm	Raised
6	51-920	18x18 mm	Raised



Blanking plate

Image	Part No.	Size	Mounting hole
1	61-9450.0	24x24 mm	16 mm Ø
2	61-9452.0	24x30 mm	21x27 mm
3	61-9451.0	24x24 mm	21x21 mm
4	51-947.0	18x24 mm	16 mm Ø
5	51-948.0	18x18 mm	16 mm Ø
6	51-949.0	18 mm Ø	16 mm Ø
	61-9453.0	25 mm Ø	22.5 mm Ø

A Accessories



Flat receptacle for plug-in terminal size 2.8x0.5 mm and insulation socket

Image	Part No.
1	31-929
2	31-946



Emergency-stop protective shroud, yellow painted aluminium with 16 mm mounting hole

Part No.
61-9965



Emergency-stop label, 43 mm diameter, English, German, French and no markings

Part No.	Markings
61-9970.0	no markings
61-9970.2	EMERGENCY STOP
61-9970.1	NOT AUS
61-9970.3	ARRET D'URGENCE
61-9970.6	NOT-HALT

Series 61

16mm 22.5mm 21x21mm 21x27mm IP65 5A 250VAC



Choose one component from each of the coloured sections to assemble a complete switch.
For other options or further information please contact your local sales office.

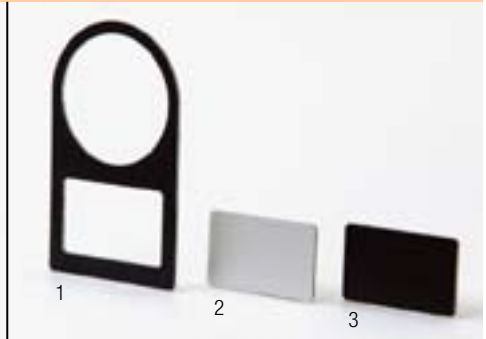
A Accessories



Emergency-stop switch enclosure with 16 mm mounting hole, 65 mm (w) x 65 mm (h) x 57 mm (d) and cable gland M16, IP66



Lens remover for flush mount, mounting tool, lens remover for raised, contact block remover and LED remover



Legend plate, adhesive, natural anodised aluminium finish for flush mount round pushbuttons, 25 mm mounting hole

Image	Part No.	Thread
1	61-9480.5	
2	61-9481.6	M16

Image	Part No.	Product description
1	61-9730.0	Lens remover for flush mount
2	01-907	Mounting tool
3	02-905	Lens remover for raised
4	61-9711.0	Contact block remover
5	61-9740.0	LED remover

Image	Part No.	Size	Colour
1	61-9980.0	50x30 mm Ø	Black
2	704.968.0		Aluminium
3	704.968.1		Black

A Accessories



Lens plastic transparent; illuminated ring; for raised and flush mounting, round indicators and illuminated pushbuttons



Lens aluminium; convex raised; for raised and flush mounting, round indicators and illuminated pushbuttons



Lens with spot illumination; aluminium; for raised and flush mounting, round indicators and illuminated pushbuttons

Colour	Part No.	Comment
● Red	61-9643-201	
● Orange	61-9643-301	
● Yellow	61-9643-401	
● Green	61-9643-501	
● Blue	61-9643-601	
○ Clear	61-9643-701	

Colour	Part No.
● Red	61-9842.2
● Yellow	61-9842.4
● Green	61-9842.5
● Blue	61-9842.6
○ Aluminium	61-9842.8
● Black	61-9842.0

Colour	Part No.
● Red	61-9841.2A
● Yellow	61-9841.4A
● Green	61-9841.5A
● Blue	61-9841.6A
○ Aluminium	61-9841.8A
● Black	61-9841.0A

Actuator with snap-action switching element

Switching system

Self-cleaning, double-break snap-action switching system with contact opening width 2x0.5mm (switch with small contact opening width as per EN IEC 61058-1).

The switching elements are optionally equipped with the following switching functions:

One to three normally open (NO) or normally closed (NC), or any combination of NO and NC plus connections for T1 3/4 LED or lamp. The number of switching elements cannot exceed three.

The switching elements provided for the 3-position switch actuators are equipped with max. 2NC or 2NO or any combination. The number of switching elements cannot exceed two.

Material

Lens

Raised mounting Polymethylmethacrylat (PMMA), as per UL 94 HB, flush mounting Polycarbonat (PC), as per UL 94 V0, or Aluminium anodized

Front bezel

Polyetherimid (PEI), as per UL 94 V0, or Aluminium anodized

Front ring

Aluminium anodized

Material of contact

Silver or silver with gold plating

Switching element

Diallylphthalate (DAP), as per UL 94 V0 and Polyamide (PA 66), as per UL 94 V0

Actuator housing

Polyetherimide (PEI), as per UL 94 V0, self-extinguishing

Mechanical characteristics

Terminals

	rigid	flexible	superflexible
1 wire	0.5 ... 1.5 mm ²	0.5 ... 0.75 mm ²	0.5 mm ²
2 wires	0.75 mm ²	0.5 mm ²	

Actuating torque

Selector-/Keylock switch 2.5 ... 10 Ncm

Actuating force

Pushbutton 2.7 ... 3.6 N

Actuating travel

Pushbutton 3 mm

	2 positions	3 positions
Selector-/ keylock switch	2 positions	3 positions
Momentary action	approx. 42°	approx. 2 x 42°
Maintained action	approx. 90°	approx. 2 x 90°

Rebound time

The rebound times apply to normal manual activation

Contact making	3 ms
Contact breaking	5 ms

Mechanical lifetime

as per DIN IEC 60512-5-6 and EN IEC 60947-5-1

Pushbutton maintained action	1 million	cycles of operation
Pushbutton momentary action	2 million	cycles of operation
Keylock switch	50 000	cycles of operation
Selector switch	100 000	cycles of operation

Electrical characteristics

Standards

The devices comply with: EN IEC 61058-1 and EN IEC 60947-5-1

Rated Operational Voltage Ue

250 VAC/DC as per EN IEC 60947-1

Rated Insulation Voltage Ui

320 VAC, as per EN IEC 60947-5-1

Rated Impulse Withstand Voltage Uimp

4 kV, as per EN IEC 60947-5-1

Contact resistance

New state with silver contact $\leq 100 \text{ m}\Omega$
as per DIN IEC 60512-2-4, measured at 100 mA, 10 V
New state with gold plated contact $\leq 50 \text{ m}\Omega$
as per DIN IEC 60512-2-3, measured at 20 mV, 10 mA

Electrical life

$\geq 50\ 000$ cycles of operation at 250 VAC, 5 A, $\cos\phi 0.95$, as per EN IEC 60947-5-1

Electrostatic discharge

Keylock switch 11 kV

Conventional free air thermal current Ith

5 A, as per EN IEC 60947-5-1

the maximum current in continuous operation and at ambient temperature must not exceed the quoted maximum values.

Switch rating

Switch rating AC with silver contact or silver contact with gold plating, service category AC-15, as per EN IEC 60947-5-1

Voltage	125 VAC	250 VAC
Current	2.5 A	2 A

Switch rating DC for silver contact or silver contact with gold plating, service category DC-13, as per EN IEC 60947-5-1

Voltage	250 VDC
Current	0.15 A

Recommended minimum operational data

Material of contact	Silver	Silver with gold plating
Voltage	20 VAC/DC	5 VAC/DC
Current	100 mA	10 mA

Electric strength

2500 VAC, 50 Hz, 1 min., as per DIN IEC 60512-2-11 between all terminals and earth

Overvoltage category

III, as per EN IEC 60947-5-1

Protection class

Class II, as per EN IEC 61058-1

Degree of pollution

3, as per EN IEC 60947-1

Environmental conditions

Storage temperature

-40 °C ... +85 °C

Operating temperature

-25 °C ... +55 °C

Protection degree

as per EN IEC 60529

Frontside IP65 | rear side IP40

Shock resistance

(semi-sinusoidal)

max. 100m/s², pulse width 11 ms, 3-axis, as per

EN IEC 60068-2-27

Vibration resistance

(sinusoidal)

max. 100m/s² at 10Hz ... 500Hz, as per EN IEC 60068-2-6**Climate resistance**

Damp heat, cyclic

96 hours, +25 °C / 97%, +55 °C / 93% relative humidity, as per EN IEC 60068-2-30

Damp heat, state

56 days, +40 °C / 93% relative humidity, as per EN IEC 60068-2-78

Rapid change of temperature

100 cycles, -40 °C ... +80 °C, as per EN IEC 60068-2-14

Approvals

Approbations

CB (IEC 60947)

CB (IEC 61058)

CSA

ENEC (EN 61058)

Germanischer Lloyd

GOST

UL

VDE

Declaration of conformity

CE

Actuator with slow-make switching element**Switching system**

Double-break slow-make system, contact opening width 2x1.5mm, with 2x2 contact points per switching element.

NC-contact elements in the slow-make elements fulfill requirements of switches with forced opening as per EN IEC 60947-5-1 2.17

The slow-make elements are optionally obtainable with the following switching functions: 1 NO or 2 NO, 1 NC or 2 NC, 1 NO + 1 NC.

Material**Lens**

Raised mounting Polymethylmethacrylat (PMMA), as per

UL 94 HB, flush mounting Polycarbonat (PC), as per UL 94 V0, or

Aluminium anodized

Front bezel

Polyetherimid (PEI), as per UL 94 V0, or Aluminium anodized

Front ring

Aluminium anodized

Material of contact

Silver or gold (specified for operation for low level switching)

Switching element

Diallylphthalate (DAP), as per UL 94 V0 and Polyamide (PA 66), as per UL 94 V0

Actuator housing

Polyetherimide (PEI), as per UL 94 V0, self-extinguishing

Mechanical characteristics**Terminals**

	rigid	flexible	superflexible
- Solder			
1 wire	0.5 ... 1.5 mm ²	0.5 ... 0.75 mm ²	0.5 mm ²
2 wires	0.75 mm ²	0.5 mm ²	

- Screw

1 wire	0.5 ... 1.5 mm ²	0.5 ... 0.75 mm ²	0.5 mm ²
2 wires	0.75 mm ²	0.5 mm ²	0.5 mm ²

Actuating torque

Selector-/ Keylock switch 4 ... 16Ncm

Actuating force

Pushbutton 3.5 ... 11 N

Emergency-stop switch max. 65 N

Actuating travel

Pushbutton 3 mm

Emergency-stop switch 10 mm

Selector-/ keylock switch	2 positions	3 positions
Momentary action	approx. 42°	approx. 2 x 42°
Maintained action	approx. 90°	approx. 2 x 90°

Rebound time

2 ms, contact making and contact breaking

the rebound times apply to normal manual activation

Mechanical lifetime

as per DIN IEC 60512-5-6 and EN IEC 60947-5-1

Pushbutton maintained action	1 million	cycles of operation
Pushbutton momentary action	2 million	cycles of operation
Emergency-stop pushbutton	6 050	cycles of operation
Keylock switch	50 000	cycles of operation
Selector switch	100 000	cycles of operation

Electrical characteristics

Standards

The devices comply with: EN IEC 61058-1 and EN IEC 60947-5-1, EN IEC 60947-5-5 (Emergency-stop)

Electrical life

≥50 000 cycles of operation at 250 VAC, 5 A, $\cos\phi$ 0.95, as per EN IEC 60947-5-1

Switching Element of Emergency-stop 6050 cycles of operation, as per EN IEC 60947-5-5

Electrostatic discharge

Keylock switch 11 kV

Electric strength

4000 VAC, 50 Hz, 1 min., as per DIN IEC 60512-2 between all terminals and earth

Overvoltage category

III, as per EN IEC 60947-5-1

Protection class

Class II, as per EN IEC 61058-1

Degree of pollution

3, as per EN IEC 60947-1

Electrical characteristics for silver contacts

Rated Operational Voltage U_e

250 VAC/DC as per EN IEC 60947-1

Rated Insulation Voltage U_i

320 VAC, as per EN IEC 60947-5-1

Rated Impulse Withstand Voltage U_{imp}

4 kV, as per EN IEC 60947-5-1

Contact resistance

New state $\leq 50 \text{ m}\Omega$, as per DIN IEC 60512-2-4, measured at 100 mA, 10 V

Conventional free air thermal current I_{th}

5 A, as per EN IEC 60947-5-1

the maximum current in continuous operation and at ambient temperature must not exceed the quoted maximum values.

Switch rating

Switch rating AC with silver contact and screw terminal, service category AC-15, as per EN IEC 60947-5-1

Voltage	125 VAC	250 VAC
---------	---------	---------

Current	3 A	2 A
---------	-----	-----

Switch rating with silver contact and screw terminal, service category

DC-13, as per EN IEC 60947-5-1

Voltage	250 VDC
---------	---------

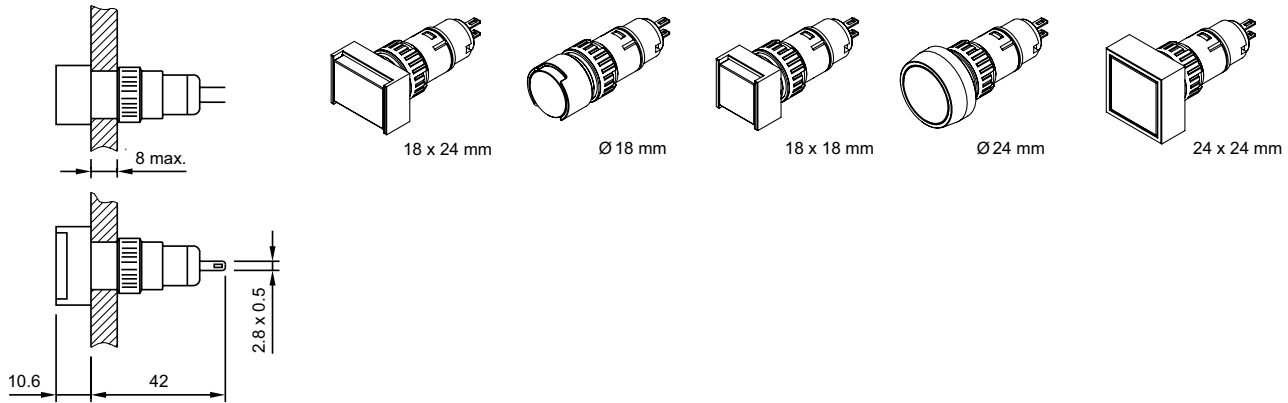
Current	0.2 A
---------	-------

Recommended minimum operational data

20 VAC/DC, 100 mA

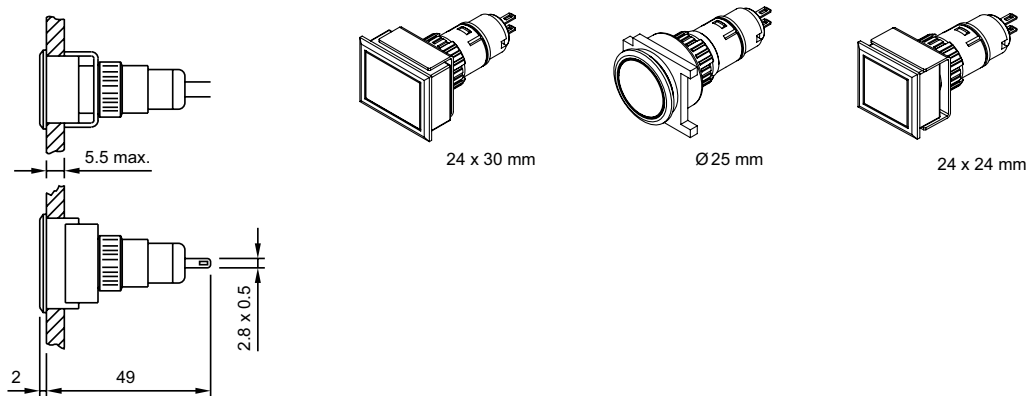
61 Indicator

Raised, Round, Square, Rectangular



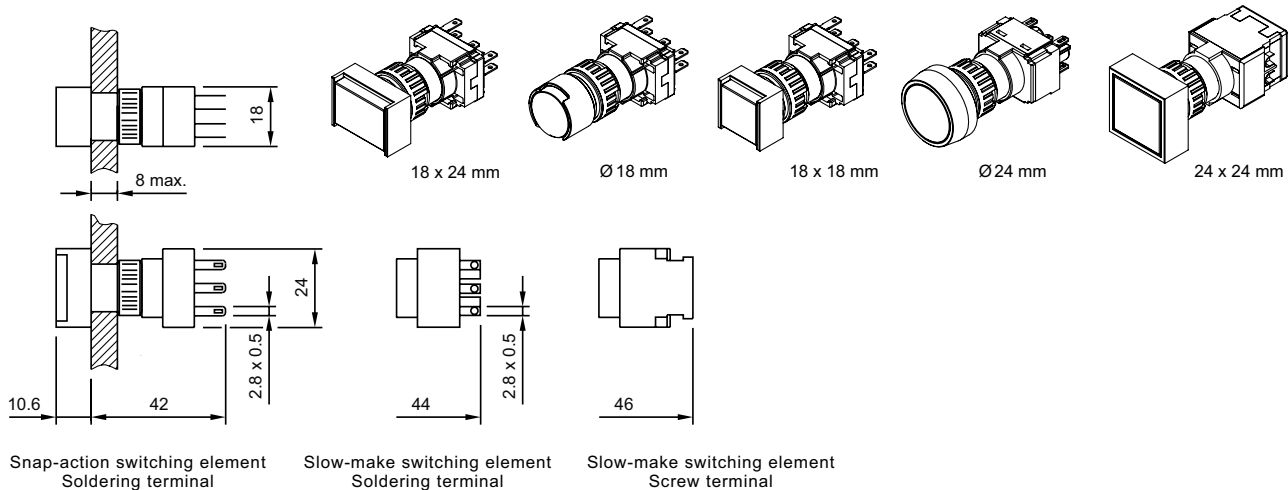
61 Indicator

Flush, Round, Square, Rectangular



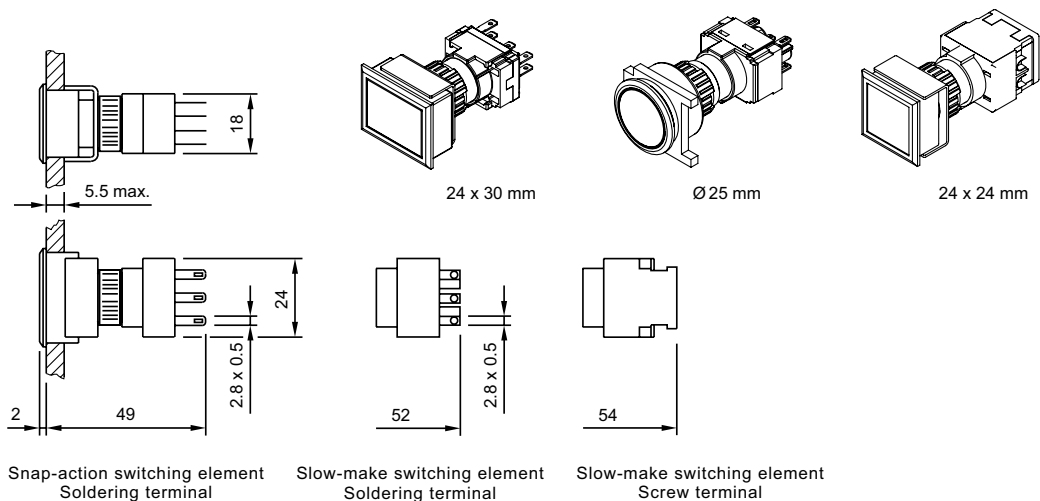
61 Illuminated Pushbutton

Raised, Round, Square, Rectangular



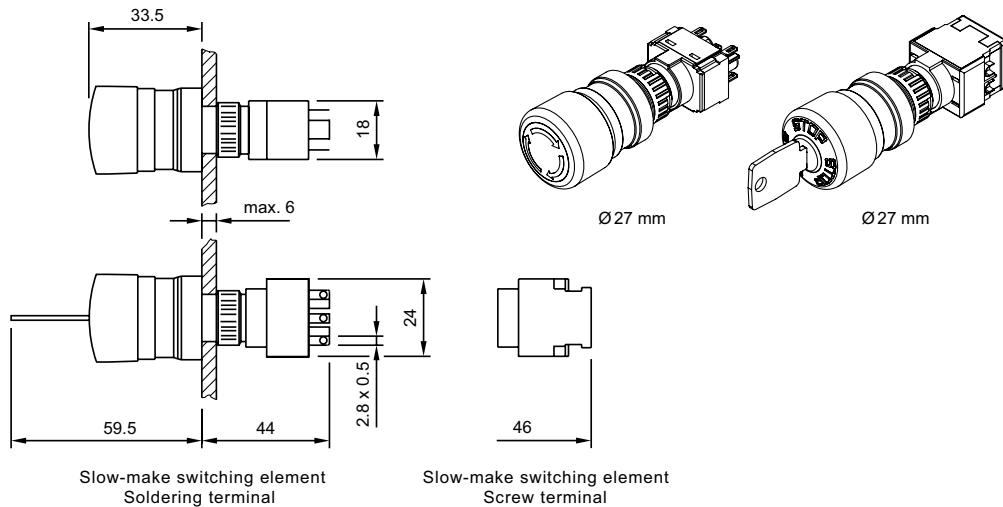
61 Illuminated Pushbutton

Flush, Round, Square, Rectangular



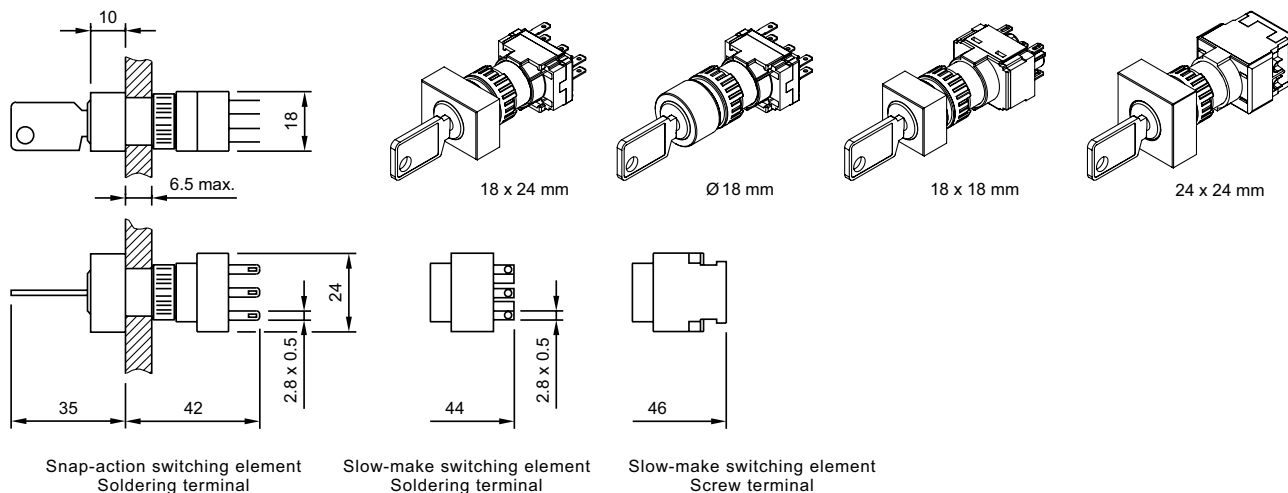
61 Emergency-stop switch

ISO 1385, Twist release, Key release



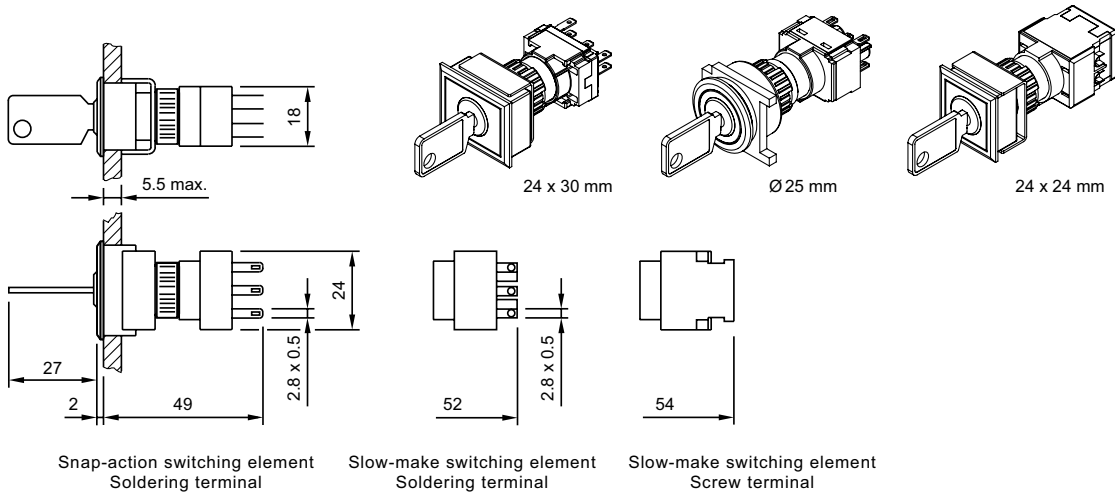
61 Keylock switch

2 & 3-Position, Raised, Round, Square, Rectangular



61 Keylock switch

2 & 3-Position, Flush, Round, Square, Rectangular



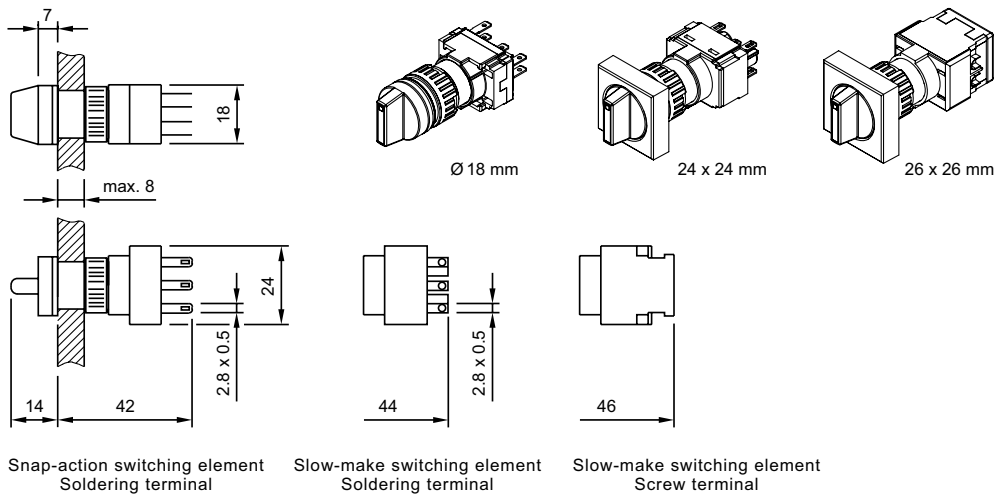
Snap-action switching element
Soldering terminal

Slow-make switching element
Soldering terminal

Slow-make switching element
Screw terminal

61 Selector switch

2 & 3-Position, Raised, Round, Square, Rectangular



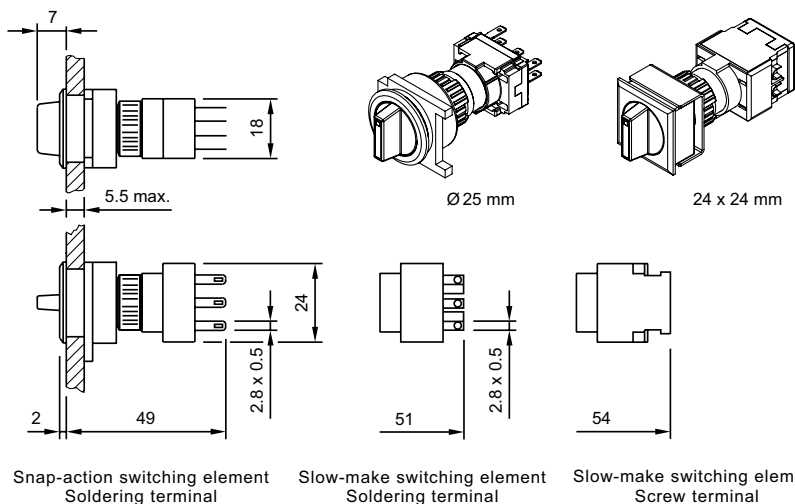
Snap-action switching element
Soldering terminal

Slow-make switching element
Soldering terminal

Slow-make switching element
Screw terminal

61 Keylock switch

2 & 3-Position, Flush, Round, Square, Rectangular



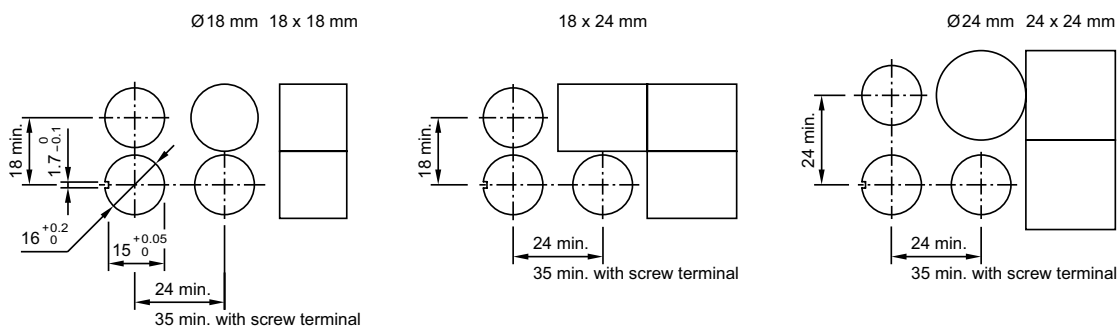
Snap-action switching element
Soldering terminal

Slow-make switching element
Soldering terminal

Slow-make switching element
Screw terminal

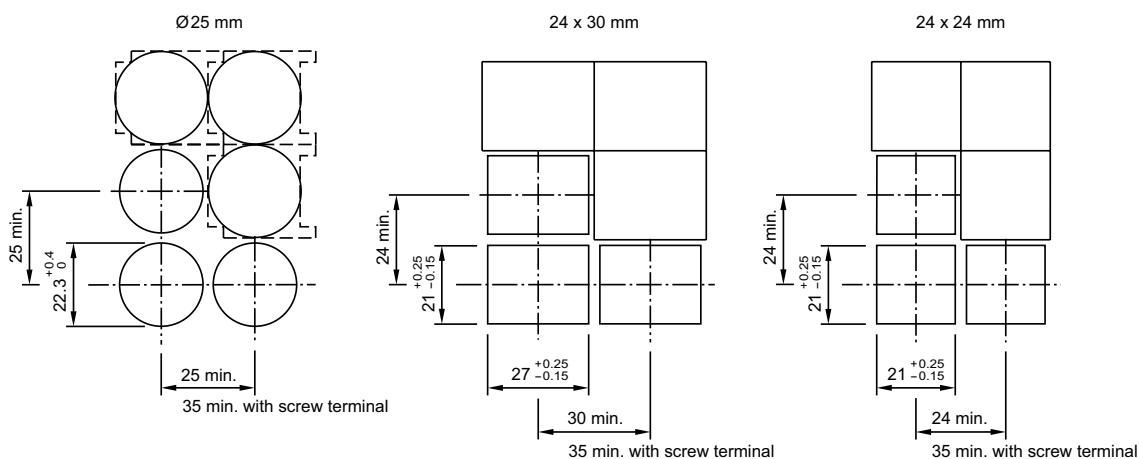
61 Cut-outs

Raised Indicators, Pushbuttons, Keylocks and Selectors



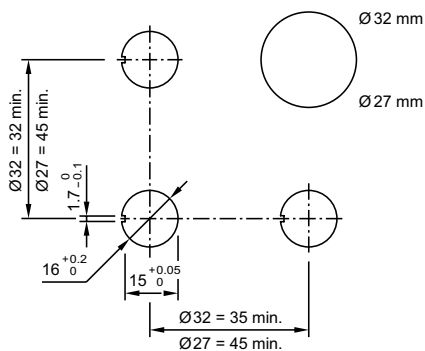
61 Cut-outs

Indicator Flush, Pushbutton Flush



61 Cut-outs, Emergency-Stop

ISO 13850, Twist release, Key release



X-ON Electronics

Largest Supplier of Electrical and Electronic Components

Click to view similar products for [Industrial Panel Mount Indicators / Switch Indicators](#) category:

Click to view products by [EAO manufacturer](#):

Other Similar products are found below :

[LW1A-P1-GD](#) [LW1A-P1-W](#) [01-931.3](#) [01-152.025](#) [73.362.4028.0](#) [750-1520](#) [9001OA120](#) [A0142N5](#) [A3DT-500Y](#) [AL6M-LK3-R](#) [AL6M-P7P-A](#) [AOLQW-2B0600](#) [AP1M255-A](#) [APD106LN-G](#) [APD106LN-S](#) [APN1126-G](#) [APS122DN-W](#) [ASLWLD-G](#) [ASLWLD-R](#) [ATN2100](#) [AYLW4L-A](#) [18-237.035](#) [18-945](#) [HW1A-L1-GD](#) [HW1A-P2-GL](#) [HW1X-BM411-R](#) [HW2A-L1-GL](#) [HWAZ1N-OB](#) [PA2100/2](#) [PA2200/1](#) [PA2SHIELD](#) [PAMR25](#) [LA3P-1C03V-Y](#) [96-923.5](#) [A0244J2](#) [LSPD-120A](#) [LSPD-1Y](#) [LSPD-6A](#) [LSPD-6DA](#) [LSPD-6DW](#) [LSPD-6DY](#) [LSPD-6R](#) [LSPD-6W](#) [18-946](#) [AL6H-LK3-A](#) [AL6H-P4-JW](#) [AL6M-LK1-MG](#) [AP8M155-G](#) [APD106LN-W](#) [APN106L-O](#)