

Switching element

70-101.0



<https://eao.com/p/70-101.0>

Your product:



70-101.0 Switching element

ELECTRICAL CHARACTERISTICS

Electrical lifetime:	500 000 cycles of operation at 5VDC, 1mA
Electric strength:	250 VAC, 1 minute
Switching voltage and switching current:	max. 12 VDC, 50 mA min. 1 VDC, 10 mA
Contacts:	1 NO

MECHANICAL CHARACTERISTIC

Contact material:	Silver
Switching system:	Short-travel snap-action switching system with two independent contact points and tactile operation Guarantees reliable switching even of very light loads. 1 normally open contact
Switching action:	Momentary
Operating Travel:	0.3 mm
Weight:	0.001 kg
Operating force:	5 N \pm 2 N with decor foil, >50 N max. on button centre with test plunger, according to DIN 42115
Mechanical lifetime:	500 000 cycles of operation with decor foil
Terminal:	PCB terminal
Switching system:	Short-travel element

AMBIENT CONDITION

Operating temperature: - 20 °C ... + 70 °C
Storage temperature: - 30 °C ... + 85 °C
IP Protection: IP65 (front side with overlay foil)

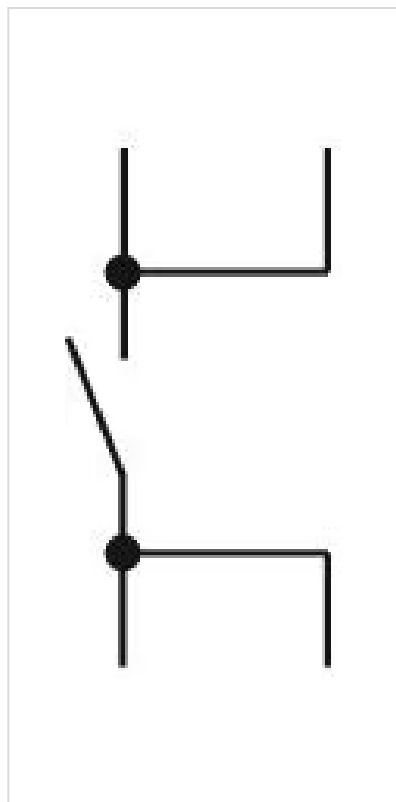
CERTIFICATE

Conformities: CE, UKCA, 2011 / 65 / EC (RoHS)

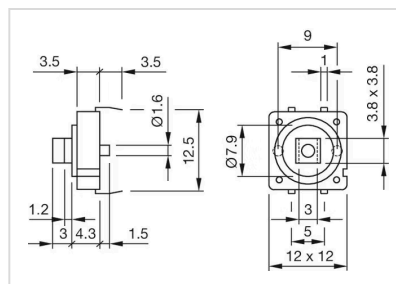
OTHER

Short Description: Switching element, Short-travel element, 42 V @ 0,1 A, Silver, 1 NO, PCB terminal

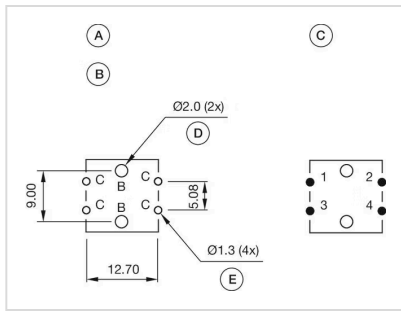
Wiring diagrams:



Dimension drawings:



Component layouts:



X-ON Electronics

Largest Supplier of Electrical and Electronic Components

Click to view similar products for [Tactile Switches](#) category:

Click to view products by [EAO](#) manufacturer:

Other Similar products are found below :

[6407-250V-25273P](#) [ADTSA62NV](#) [B3F-3123](#) [1977177-8](#) [1977266-1](#) [ADTSA63NV](#) [ADTSM21NSVTR](#) [ADTSM25RVTR](#) [ADTSM32NVTR](#)
[ADTSMW64RV](#) [1977120-6](#) [FSMRA4JHA04](#) [GS4.70F300QP](#) [KSC241J SP DELTA LFS](#) [3FTL600RAS](#) [3FTL640RAS](#) [Y96K132V0FPLFS](#)
[09158](#) [6407-250V-25343P](#) [ADTSM31NVTR](#) [2-1977120-7](#) [TSJW-5.2-260-TR](#) [TME1-01-Z](#) [Y651050400P](#) [KMT011MNGJLHS](#)
[ADTSG648NV](#) [ADTSM62KSVTR](#) [MJTP1138DTR](#) [ADTSM648NV](#) [95C06E3RAT](#) [3ATH9Q](#) [FSMRA8JHA04](#) [HARS0073](#)
[Y33R411N9FPLFT](#) [Y33R51139FPLFT](#) [Y31C01402FPLFS](#) [PTS645SK50SMTR92](#) [ADTSM32NVB](#) [KMS233GPWTFLG](#) [Y78B64124FP](#)
[Y33A812C5FP LFT](#) [Y56B2D120FP LFS](#) [PTS645 DVM83-BN125-2 LFS](#) [B3W 1000G](#) [B3F 1002C](#) [B3F 0047H](#) [B3W 1002C](#) [B3F 5001G](#)
[B3W 1100C](#) [1-1571563-4](#)