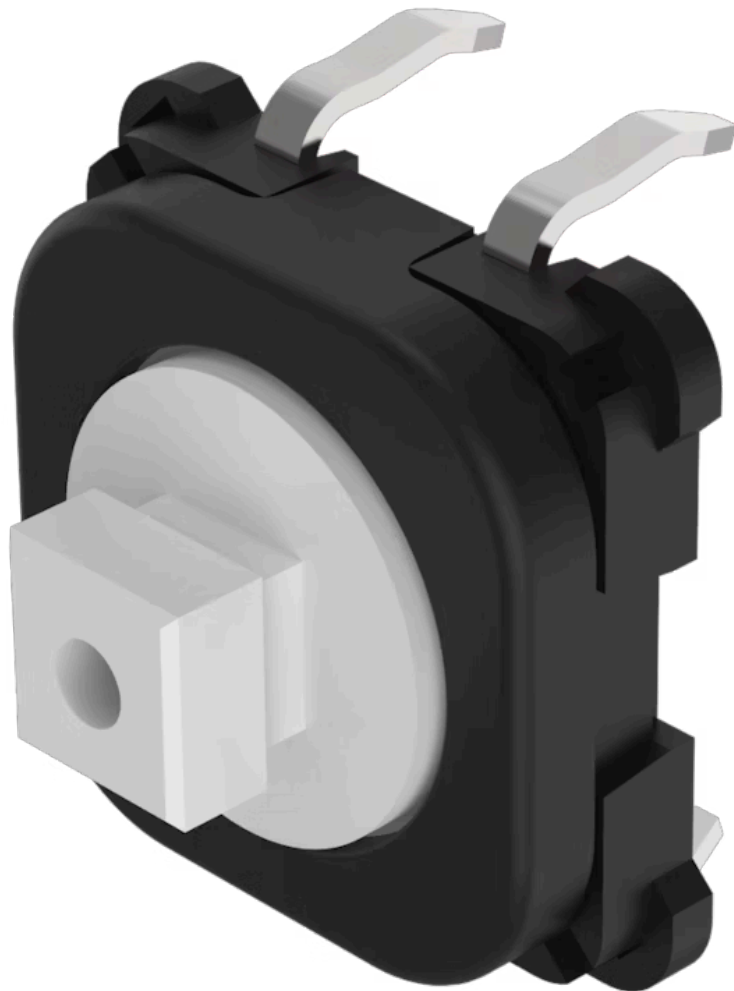


Switching element

70-201.0



<https://eao.com/p/70-201.0>

Your product:



70-201.0 Switching element

ELECTRICAL CHARACTERISTICS

Contacts:	1 NO						
Switching voltage and switching current:	<table><tr><td>Switching voltage</td><td>min. 50 m VAC/DC max. 42 VAC/DC</td></tr><tr><td>Switching current</td><td>min. 10 μA AC/DC max. 100 mA AC/DC</td></tr><tr><td>Power rating</td><td>max. 2 W</td></tr></table>	Switching voltage	min. 50 m VAC/DC max. 42 VAC/DC	Switching current	min. 10 μ A AC/DC max. 100 mA AC/DC	Power rating	max. 2 W
Switching voltage	min. 50 m VAC/DC max. 42 VAC/DC						
Switching current	min. 10 μ A AC/DC max. 100 mA AC/DC						
Power rating	max. 2 W						
Switching rating:	42 V @ 0,1 A						
Electrical lifetime:	\geq 500 000 cycles of operation at 42VDC, 50mA, according to IEC 60512-5-9c, When attention is paid to the direction of current flow from terminal 3/4 to 1/2 the electrical life can be prolonged.						
Electric strength:	500 VAC, 50 Hz, 1 minute according to DIN IEC 60512-2-4a						

MECHANICAL CHARATERISTIC

Terminal:	PCB terminal
Contact material:	Gold
Switching action:	Momentary
Switching system:	Short-travel element
Switching system:	Short-travel snap-action switching system with two independent contact points and tactile operation Guarantees reliable switching even of very light loads. 1 normally open contact
Mechanical lifetime:	\geq 1 Mio. cycles of operation (switching element under overlay), \geq 5 Mio. cycles of operation (switching element without overlay)
Operating force:	2,1 N \pm 0,2 N with decor foil, >50 N max. on button centre with test plunger, according to DIN 42115
Operating Travel:	ca. 0.5 mm
Weight:	0.001 kg

AMBIENT CONDITION

IP Protection:	IP40 (only switching element), IP65 (front side with overlay foil)
Operating temperature:	- 25 °C ... + 70 °C
Storage temperature:	- 40 °C ... + 85 °C

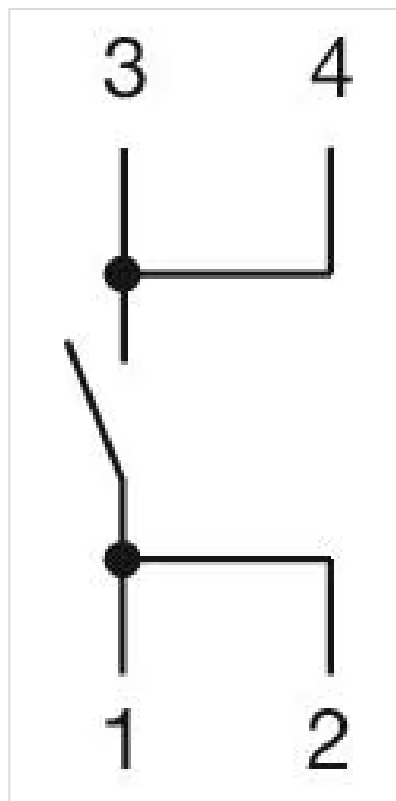
CERTIFICATE

Conformities:	CE, UKCA, 2011 / 65 / EC (RoHS)
REACH:	REACH compliant
RoHS:	RoHS compliant

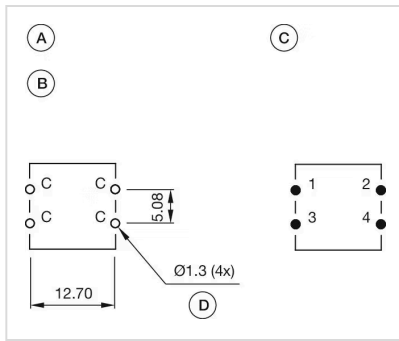
OTHER

Short Description: Switching element, Short-travel element, 42 V @ 0,1 A, Gold, 1 NO, PCB terminal

Wiring diagrams:

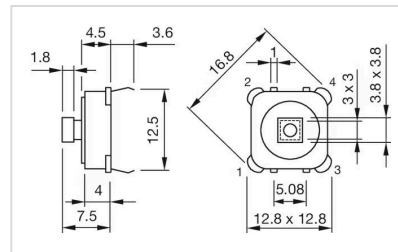


Component layouts:



A = Switching element without illumination
 B = Drilling plan (component side)
 C = Occupancy plan (component side)
 D = Hole for switching element

Dimension drawings:



Where to Buy

X-ON Electronics

Largest Supplier of Electrical and Electronic Components

Click to view similar products for [Tactile Switches](#) category:

Click to view products by [EAO](#) manufacturer:

Other Similar products are found below :

[6407-250V-25273P](#) [MJTPSHW](#) [ADTSA62NV](#) [B3F-3123](#) [1977177-8](#) [1977266-1](#) [ADTSA63NV](#) [ADTSM25RVTR](#) [ADTSM32NVTR](#)
[ADTSMW64RV](#) [1977120-6](#) [FSMRA4JHA04](#) [GS4.70F300QP](#) [KSC241J SP DELTA LFS](#) [3FTL600RAS](#) [3FTL640RAS](#) [Y96K132V0FPLFS](#)
[09158](#) [6407-250V-25343P](#) [ADTSM31NVTR](#) [2-1977120-7](#) [TSJW-5.2-260-TR](#) [TME1-01-Z](#) [Y651050400P](#) [KMT011MNGJLHS](#) [B3WN6002S](#)
[ADTSG648NV](#) [ADTSM62KSVTR](#) [MJTP1138DTR](#) [ADTSM648NV](#) [95C06E3RAT](#) [3ATH9Q](#) [FSMRA8JHA04](#) [HARS0073](#)
[Y33R411N9FPLFT](#) [Y33R51139FPLFT](#) [Y31C01402FPLFS](#) [PTS645SK50SMTR92](#) [ADTSM32NVB](#) [KMS233GPWTFLG](#) [Y78B64124FP](#)
[Y31CJ244KFP LFS](#) [Y31C2144LFP LFS](#) [Y33A812C5FP LFT](#) [Y56B2D120FP LFS](#) [Y31C5144KFP LFS](#) [PTS645 DVM83-BN125-2 LFS](#)
[B3W 1000G](#) [KSC621G OL LFS](#) [B3F 1002C](#)