

Series 04

Characteristics

The modular 22.5 mm Series 04 is especially suited for:

- Flush design
- Raised design

The modular design caters to a broad range of applications and combinations.

Owing to its robust, user-friendly design, this series is ideally suited for rail vehicles.

Functions

The Series 04 incorporates the following functions:

- Indicator
- Pushbutton
- Illuminated pushbutton
- E-STOP switch
- Stop switch
- Mushroom-head pushbutton
- Key lock switch
- Key insert switch
- Selector switch
- Lever switch
- Potentiometer

Market segments

The EAO Series 04 is especially suited for applications in the segments:

- Public transportation
- Machinery and Automation
- Construction machines and special-purpose vehicles
- Lifting and moving
- Panel building

Please refer to the EAO website to obtain detailed information regarding this series www.products.eao.com
Configure a product to your exact needs and request a quotation.



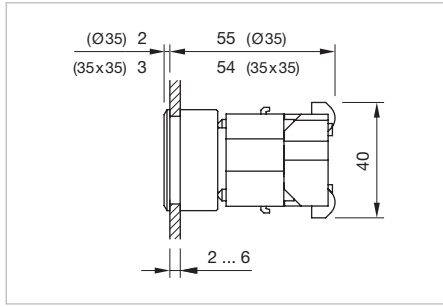
Overview	
Flush design	
Indicator	4
Flasher	8
Buzzer	12
Pushbutton	13
Illuminated pushbutton	17
Stop switch	21
Mushroom-head pushbutton	22
Keylock switch	23
Selector switch	27
Selector rotary switch	46
Keylock rotary switch	50
Key insert switch	51
Lever switch	54
Potentiometer	55
Raised design	
Indicator	56
Flasher	66
Buzzer	74
Pushbutton	75
Illuminated pushbutton	80
Emergency-stop switch	85
Stop switch	86
Mushroom-head pushbutton	88
Keylock switch	91
Selector switch	95
Selector rotary switch	114
Potentiometer	118
Accessories	119
Drawings	168
Technical data	169
Marking	179
Application guidelines	184
Index	185

04 Flush design

Indicator, IP65



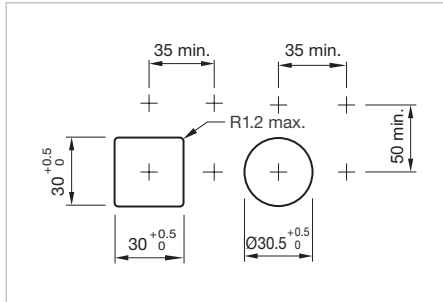
Product can differ from the current configuration.



Dimensions [mm]

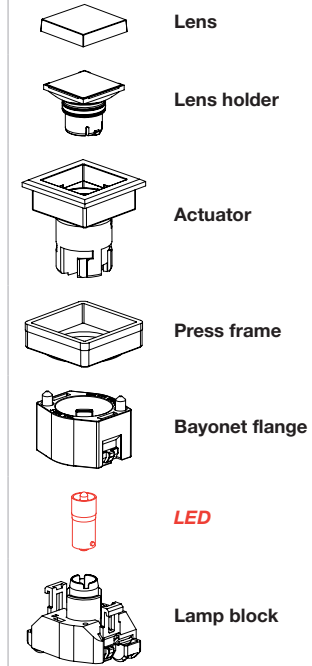
Additional Information

- Housing plastic black
- The colour of anodized aluminium parts can vary due to technical production reasons





Mounting cut-outs [mm]


Equipment consisting of (schematic overview)

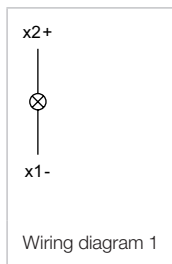


Each Part Number listed below includes all the black components shown in the 3D-drawing.

To obtain a complete unit, please select the red components from the pages shown.

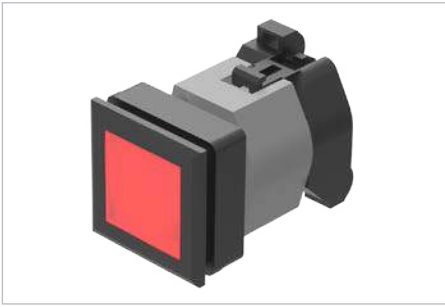
Front ring	Front bezel	Lens	Terminal	Part No.	Wiring diagram	Weight
	Indicator actuator, Front dimension 35 x 35 mm					
	Plastic black	Plastic red	Screw	704.206.200	1	0.061 kg
		Plastic yellow	Screw	704.206.400	1	0.061 kg
		Plastic green	Screw	704.206.500	1	0.061 kg
		Plastic blue	Screw	704.206.600	1	0.061 kg
		Plastic colourless	Screw	704.206.700	1	0.061 kg
	Indicator actuator, Front dimension 35 x 35 mm					
	Plastic silver	Plastic red	Screw	704.202.208	1	0.061 kg
		Plastic yellow	Screw	704.202.408	1	0.061 kg
		Plastic green	Screw	704.202.508	1	0.061 kg
		Plastic blue	Screw	704.202.608	1	0.061 kg
		Plastic colourless	Screw	704.202.708	1	0.061 kg

Front ring	Front bezel	Lens	Terminal	Part No.	Wiring diagram	Weight
 <p>Indicator actuator, Front dimension Ø 35 mm</p>						
Aluminium natural anodized		Plastic red	Screw	704.006.218	1	0.061 kg
		Plastic yellow	Screw	704.006.418	1	0.061 kg
		Plastic green	Screw	704.006.518	1	0.061 kg
		Plastic blue	Screw	704.006.618	1	0.061 kg
		Plastic colourless	Screw	704.006.718	1	0.061 kg

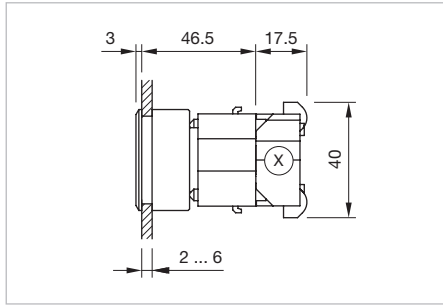


04 Flush design

Indicator square, IP65



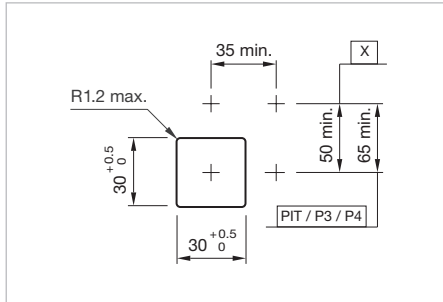
Product can differ from the current configuration.



Dimensions [mm]
X = Screw terminal

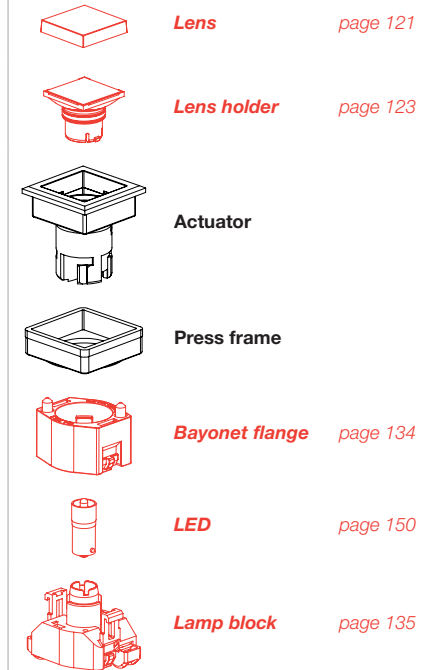
Additional Information

- Housing plastic black
- Other terminal options from the part lamp block see «Accessories»



Mounting cut-outs [mm]
PIT = Push-in terminal,
P3 = Plug-in terminal 6.3 x 0.8 mm,
P4 = Double plug-in terminal 6.3 x 0.8 mm,
X = Screw terminal

Equipment consisting of (schematic overview)



Each Part Number listed below includes all the black components shown in the 3D-drawing.

To obtain a complete unit, please select the red components from the pages shown.

Front bezel	Part No.	Weight
 <p>Indicator actuator square, flush design, Front dimension 35 x 35 mm</p>		
Plastic black	704.743.0	0.020 kg
Plastic silver	704.743.8	0.020 kg

Indicator round, IP65

Equipment consisting of (schematic overview)



Front bezel set page 126



Lens page 121



Marking plate page 124



Actuator



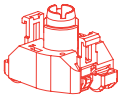
Part of front bezel set



Bayonet flange page 134



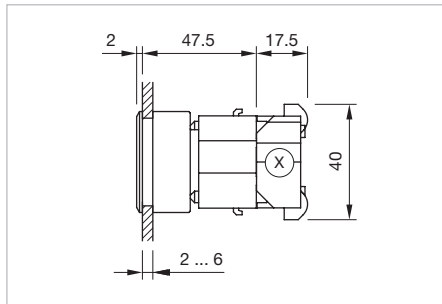
LED page 150



Lamp block page 135

Each Part Number listed below includes all the black components shown in the 3D-drawing.

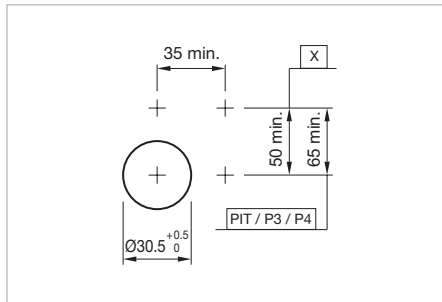
To obtain a complete unit, please select the red components from the pages shown.



Dimensions [mm]
X = Screw terminal



Product can differ from the current configuration.



Mounting cut-outs [mm]
PIT = Push-in terminal,
P3 = Plug-in terminal 6.3 x 0.8 mm,
P4 = Double plug-in terminal 6.3 x 0.8 mm,
X = Screw terminal

Additional Information

- For front dimension \varnothing 35 mm
- Housing plastic grey
- Lens flat or raised possible; equal choose marking plate or marking cap
- Other terminal options from the part lamp block see «Accessories»

Part No.

Weight



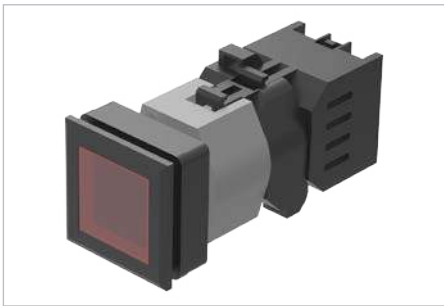
Indicator actuator round

704.633.1

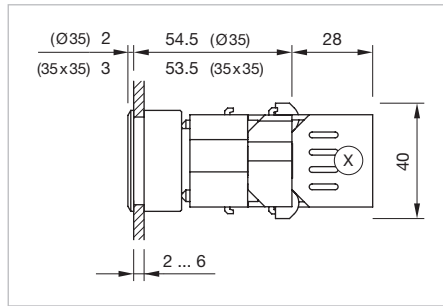
0.020 kg

04 Flush design

Flasher, IP65



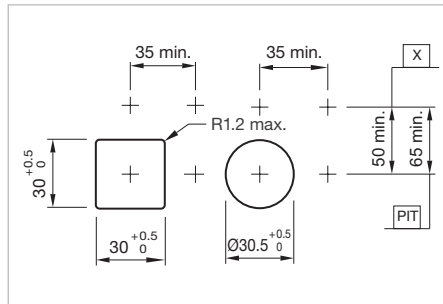
Product can differ from the current configuration.



Dimensions [mm]
X = Screw terminal

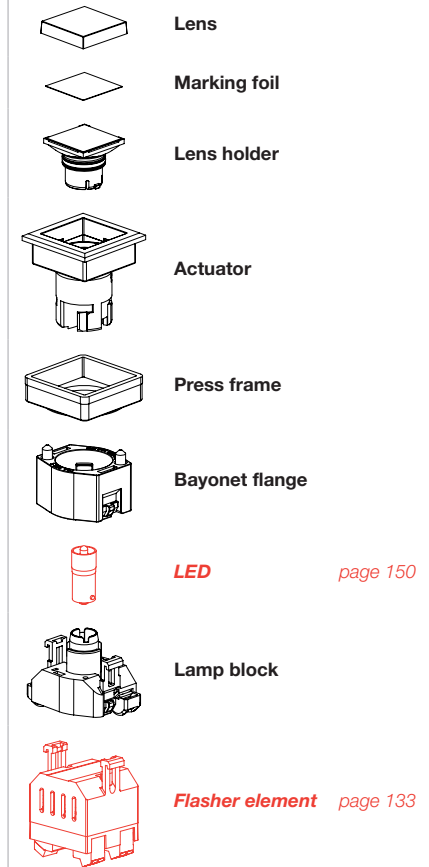
Additional Information

- Housing plastic black
- The lamp block will be delivered with screw terminal
- Other terminal options of the part flasher element see «Accessories»
- The colour of anodized aluminium parts can vary due to technical production reasons





Mounting cut-outs [mm]
PIT = Push-in terminal,
X = Screw terminal


Equipment consisting of (schematic overview)

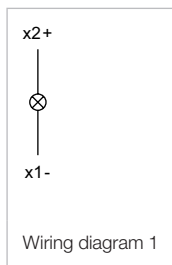


Each Part Number listed below includes all the black components shown in the 3D-drawing.

To obtain a complete unit, please select the red components from the pages shown.

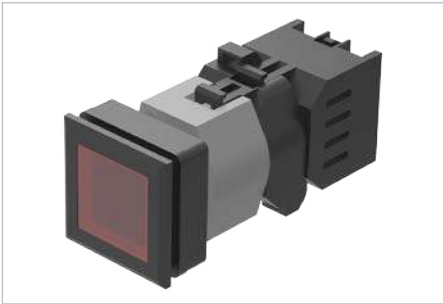
Front ring	Front bezel	Lens	Part No.	Wiring diagram	Weight
 <p>Flasher actuator, Front dimension 35 x 35 mm</p>	Plastic black	Plastic red	704.206.200	1	0.061 kg
		Plastic yellow	704.206.400	1	0.061 kg
		Plastic green	704.206.500	1	0.061 kg
		Plastic blue	704.206.600	1	0.061 kg
		Plastic colourless	704.206.700	1	0.061 kg
		 <p>Flasher actuator, Front dimension 35 x 35 mm</p>	Plastic silver	Plastic red	704.202.208
Plastic yellow	704.202.408			1	0.061 kg
Plastic green	704.202.508			1	0.061 kg
Plastic blue	704.202.608			1	0.061 kg
Plastic colourless	704.202.708			1	0.061 kg

Front ring	Front bezel	Lens	Part No.	Wiring diagram	Weight
 <p>Flasher actuator, Front dimension Ø 35 mm</p>					
Aluminium natural anodized		Plastic red	704.006.218	1	0.061 kg
		Plastic yellow	704.006.418	1	0.061 kg
		Plastic green	704.006.518	1	0.061 kg
		Plastic blue	704.006.618	1	0.061 kg
		Plastic colourless	704.006.718	1	0.061 kg

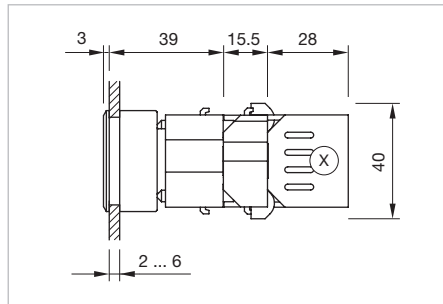


04 Flush design

Flasher square, IP65



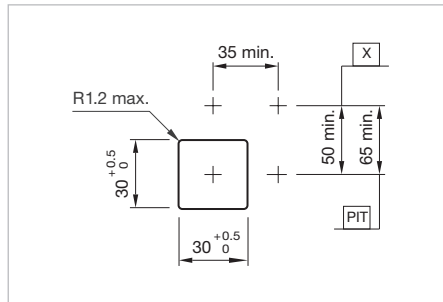
Product can differ from the current configuration.



Dimensions [mm]
X = Screw terminal

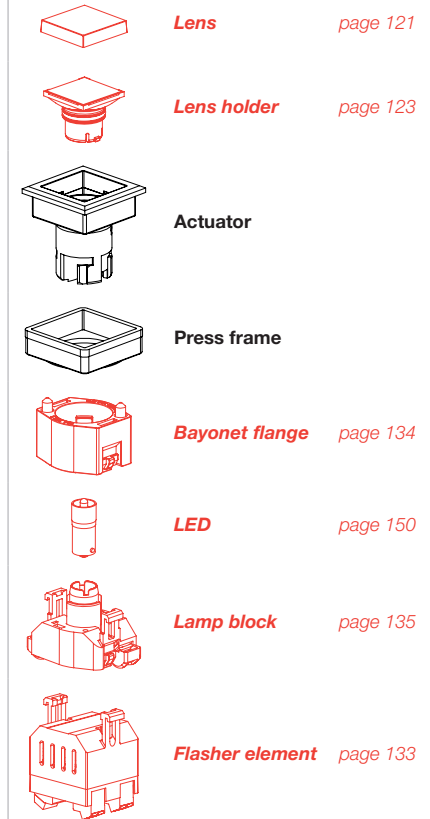
Additional Information

- Housing plastic black
- Other terminal options from the part flasher element and lamp block see «Accessories»




Mounting cut-outs [mm]
PIT = Push-in terminal,
X = Screw terminal

Equipment consisting of (schematic overview)



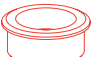


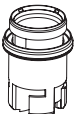

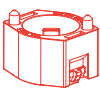

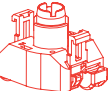
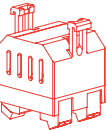
Each Part Number listed below includes all the black components shown in the 3D-drawing.

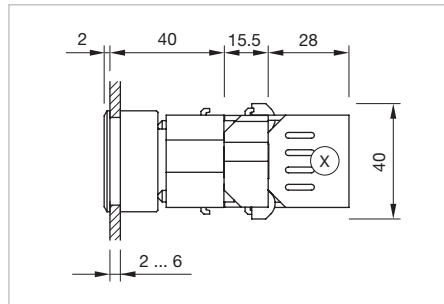
To obtain a complete unit, please select the red components from the pages shown.

Front bezel	Part No.	Weight
 <p>Flasher actuator square, Front dimension 35 x 35 mm</p>		
Plastic black	704.743.0	0.020 kg
Plastic silver	704.743.8	0.020 kg

Flasher round, IP65

Equipment consisting of (schematic overview)

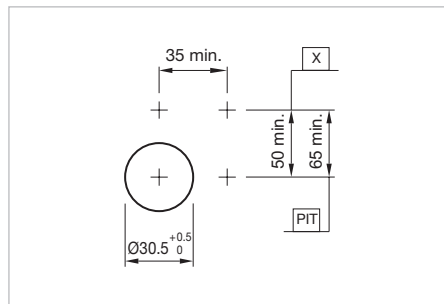
-  **Front bezel set** *page 126*
-  **Lens** *page 121*
-  **Marking plate** *page 124*
-  **Actuator**
-  **Part of front bezel set**
-  **Bayonet flange** *page 134*
-  **LED** *page 150*
-  **Lamp block** *page 135*
-  **Flasher element** *page 133*



Dimensions [mm]
X = Screw terminal



Product can differ from the current configuration.




Mounting cut-outs [mm]
PIT = Push-in terminal,
X = Screw terminal

Additional Information

- For front dimension \varnothing 35 mm
- Housing plastic grey
- Lens flat or raised possible; equal choose marking plate or marking cap
- Other terminal options from the part flasher element and lamp block see «Accessories»

Each Part Number listed below includes all the black components shown in the 3D-drawing.

To obtain a complete unit, please select the red components from the pages shown.

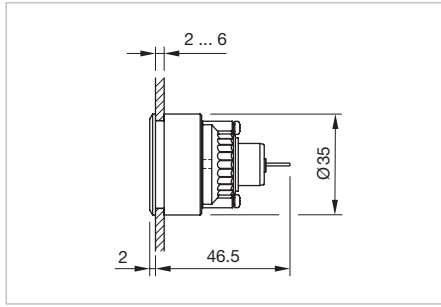
Part No.	Weight
 <p>Flasher actuator round</p>	
704.633.1	0.020 kg

04 Flush design

Buzzer, IP 40

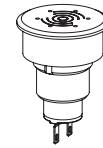


Product can differ from the current configuration.



Dimensions [mm]

Equipment consisting of (schematic overview)



Buzzer



Pressure ring

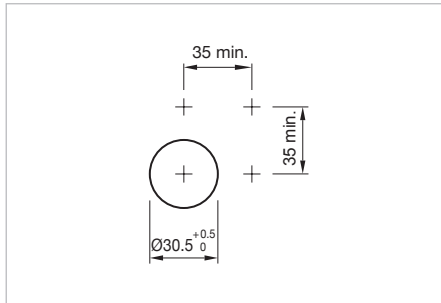


Fixing nut


Each Part Number listed below includes all the black components shown in the 3D-drawing.

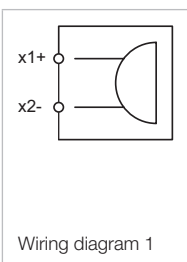
Additional Information

- Further information see «Technical data»
- The colour of anodized aluminium parts can vary due to technical production reasons



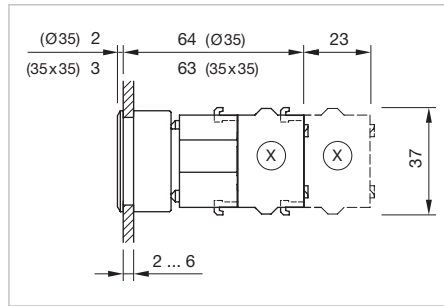
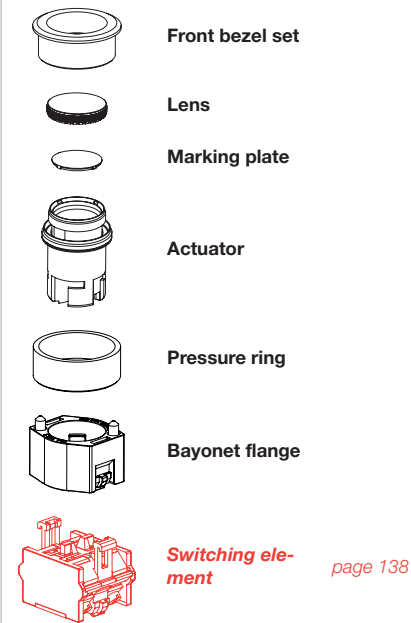
Mounting cut-outs [mm]

Operating voltage	Front cap	Terminal	Part No.	Wiring diagram	Weight
 Buzzer, Front dimension Ø 35 mm	Aluminium black anodized	Solder 2.8 x 0.5 mm	14-810.910	1	0.016 kg
	Aluminium natural anodized	Solder 2.8 x 0.5 mm	14-810.918	1	0.016 kg



Pushbutton, IP65

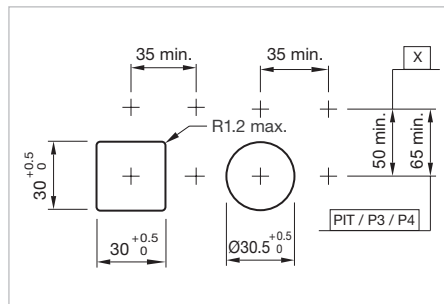
Equipment consisting of (schematic overview)



Dimensions [mm]
X = Screw terminal



Product can differ from the current configuration.




Mounting cut-outs [mm]
PIT = Push-in terminal,
P3 = Plug-in terminal 6.3 x 0.8 mm,
P4 = Double plug-in terminal 6.3 x 0.8 mm,
X = Screw terminal

Additional Information

- Other terminal options from the part switching element see «Accessories»
- The colour of anodized aluminium parts can vary due to technical production reasons
- Max. 3 switching elements can be clipped on

Each Part Number listed below includes all the black components shown in the 3D-drawing.

To obtain a complete unit, please select the red components from the pages shown.

Housing	Front ring	Front bezel	Lens	Switching action	Part No.	Wiring diagram	Weight
							
Plastic black		Plastic black	Plastic black	B	704.209.000	1	0.051 kg
			Plastic red	B	704.209.200	1	0.051 kg
			Plastic yellow	B	704.209.400	1	0.051 kg
			Plastic green	B	704.209.500	1	0.051 kg
			Plastic blue	B	704.209.600	1	0.051 kg
			Plastic colourless	B	704.209.700	1	0.051 kg
		Plastic silver	Plastic black	B	704.210.008	1	0.051 kg
			Plastic red	B	704.210.208	1	0.051 kg
			Plastic yellow	B	704.210.408	1	0.051 kg
			Plastic green	B	704.210.508	1	0.051 kg
			Plastic blue	B	704.210.608	1	0.051 kg
			Plastic colourless	B	704.210.708	1	0.051 kg
		Plastic black	Plastic black	C	704.239.000	2	0.051 kg
			Plastic red	C	704.239.200	2	0.051 kg
			Plastic yellow	C	704.239.400	2	0.051 kg
			Plastic blue	C	704.239.600	2	0.051 kg
			Plastic colourless	C	704.239.700	2	0.051 kg

04 Flush design

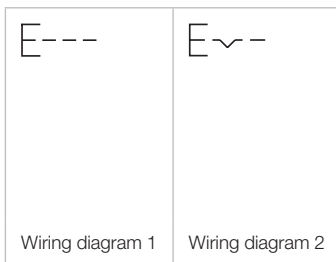
Housing	Front ring	Front bezel	Lens	Switching action	Part No.	Wiring diagram	Weight
Plastic black		Plastic silver	Plastic red	C	704.240.208	2	0.051 kg
			Plastic yellow	C	704.240.408	2	0.051 kg
			Plastic green	C	704.240.508	2	0.051 kg
			Plastic colourless	C	704.240.708	2	0.051 kg



Pushbutton actuator, Front dimension Ø 35 mm

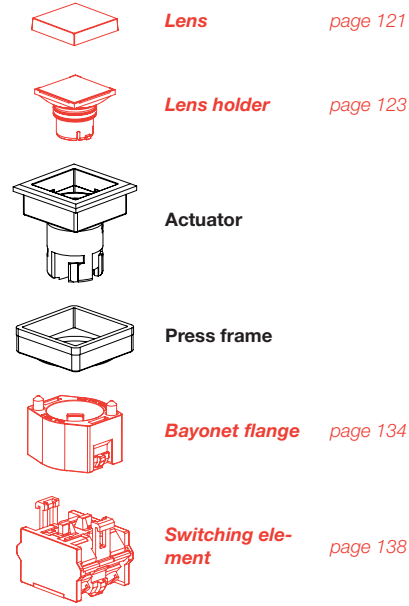
Plastic grey	Aluminium natural anodized	Aluminium black anodized	B	704.011.018	1	0.051 kg
		Aluminium red anodized	B	704.011.218	1	0.051 kg
		Aluminium gold anodized	B	704.011.418	1	0.051 kg
		Aluminium olive-green anodized	B	704.011.518	1	0.051 kg
		Aluminium blue anodized	B	704.011.618	1	0.051 kg
		Aluminium natural anodized	B	704.011.818	1	0.051 kg
		Plastic black	B	704.012.018	1	0.051 kg
		Plastic red	B	704.012.218	1	0.051 kg
		Plastic yellow	B	704.012.418	1	0.051 kg
		Plastic green	B	704.012.518	1	0.051 kg
		Plastic blue	B	704.012.618	1	0.051 kg
		Plastic colourless	B	704.012.718	1	0.051 kg
		Plastic black	C	704.042.018	2	0.051 kg
		Plastic red	C	704.042.218	2	0.051 kg
		Plastic yellow	C	704.042.418	2	0.051 kg
		Plastic green	C	704.042.518	2	0.051 kg
		Plastic blue	C	704.042.618	2	0.051 kg
		Plastic colourless	C	704.042.718	2	0.051 kg

Switching action : B = Momentary, C = Maintain



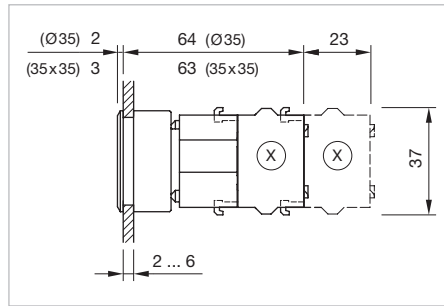
Pushbutton square, IP65

Equipment consisting of (schematic overview)

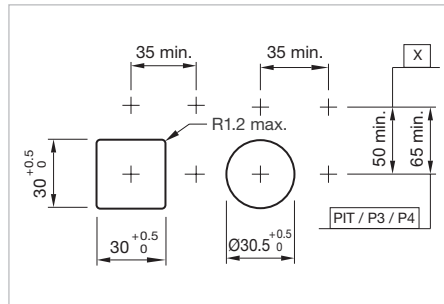


Each Part Number listed below includes all the black components shown in the 3D-drawing.

To obtain a complete unit, please select the red components from the pages shown.



Dimensions [mm]
X = Screw terminal




Mounting cut-outs [mm]
PIT = Push-in terminal,
P3 = Plug-in terminal 6.3 x 0.8 mm,
P4 = Double plug-in terminal 6.3 x 0.8 mm,
X = Screw terminal



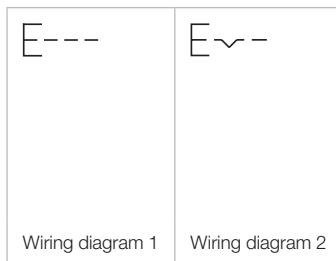
Product can differ from the current configuration.

Additional Information

- Housing plastic black
- Other terminal options from the part switching element see «Accessories»
- Max. 3 switching elements can be clipped on

Front bezel	Switching action	Part No.	Wiring diagram	Weight
	Pushbutton actuator square, Front dimension 35 x 35 mm			
Plastic black	B	704.741.0	1	0.020 kg
Plastic silver	B	704.741.8	1	0.020 kg
Plastic black	C	704.742.0	2	0.020 kg
Plastic silver	C	704.742.8	2	0.020 kg

Switching action : B = Momentary, C = Maintain

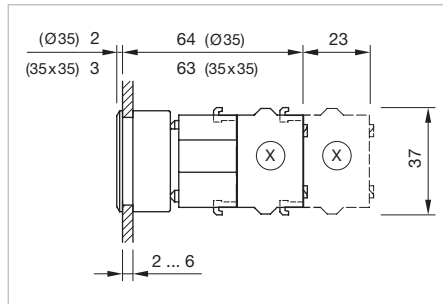


04 Flush design

Pushbutton round, IP65



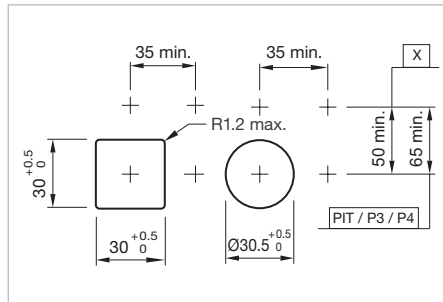
Product can differ from the current configuration.



Dimensions [mm]
X = Screw terminal

Additional Information

- For front dimension Ø 35 mm
- Metal lens to be ordered with marking plates
- Housing plastic grey
- Other terminal options from the part switching element see «Accessories»
- Max. 3 switching elements can be clipped on



Mounting cut-outs [mm]
PIT = Push-in terminal,
P3 = Plug-in terminal 6.3 x 0.8 mm,
P4 = Double plug-in terminal 6.3 x 0.8 mm,
X = Screw terminal

Equipment consisting of (schematic overview)



Front bezel set page 126



Lens page 121



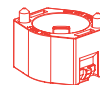
Marking plate page 124



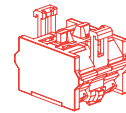
Actuator



Part of front bezel set




Bayonet flange page 134



Switching element page 138

Each Part Number listed below includes all the black components shown in the 3D-drawing.

To obtain a complete unit, please select the red components from the pages shown.

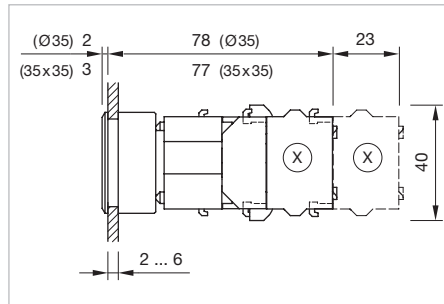
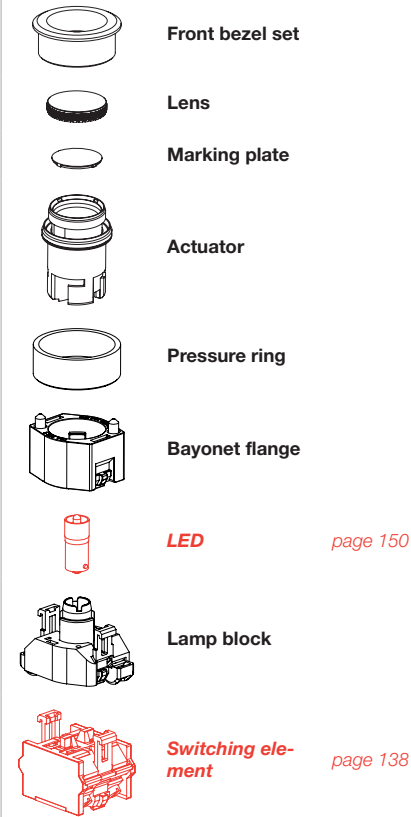
Switching action	Part No.	Wiring diagram	Weight
 <p>Pushbutton actuator round</p>	704.631.1	1	0.009 kg
	704.632.1	2	0.009 kg

Switching action : B = Momentary, C = Maintain

E---	E~--
Wiring diagram 1	Wiring diagram 2

Illuminated pushbutton, IP65

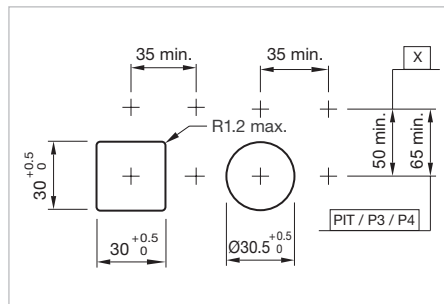
Equipment consisting of (schematic overview)



Dimensions [mm]
X = Screw terminal



Product can differ from the current configuration.




Mounting cut-outs [mm]
PIT = Push-in terminal,
P3 = Plug-in terminal 6.3 x 0.8 mm,
P4 = Double plug-in terminal 6.3 x 0.8 mm,
X = Screw terminal

Additional Information


- The lamp block will be delivered with screw terminal
- Other terminal options from the part switching element see «Accessories»
- The colour of anodized aluminium parts can vary due to technical production reasons
- Max. 3 switching elements can be clipped on

Each Part Number listed below includes all the black components shown in the 3D-drawing.

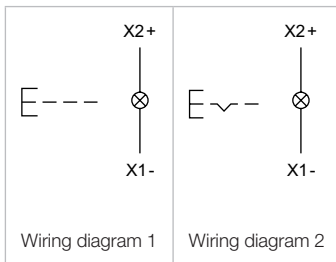
To obtain a complete unit, please select the red components from the pages shown.

Housing	Front ring	Front bezel	Lens	Switching action	Part No.	Wiring diagram	Weight
 Illuminated pushbutton actuator, Front dimension 35 x 35 mm							
Plastic black		Plastic black	Plastic red	B	704.229.200	1	0.051 kg
			Plastic yellow	B	704.229.400	1	0.051 kg
			Plastic green	B	704.229.500	1	0.051 kg
			Plastic blue	B	704.229.600	1	0.051 kg
			Plastic colourless	B	704.229.700	1	0.051 kg
		Plastic silver	Plastic red	B	704.230.208	1	0.051 kg
			Plastic yellow	B	704.230.408	1	0.051 kg
			Plastic green	B	704.230.508	1	0.051 kg
			Plastic blue	B	704.230.608	1	0.051 kg
			Plastic colourless	B	704.230.708	1	0.051 kg
		Plastic black	Plastic red	C	704.259.200	2	0.051 kg
			Plastic yellow	C	704.259.400	2	0.051 kg
			Plastic green	C	704.259.500	2	0.051 kg
			Plastic blue	C	704.259.600	2	0.051 kg
			Plastic colourless	C	704.259.700	2	0.051 kg

04 Flush design

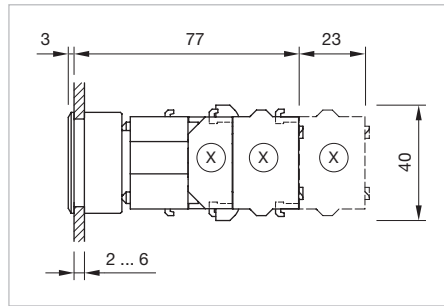
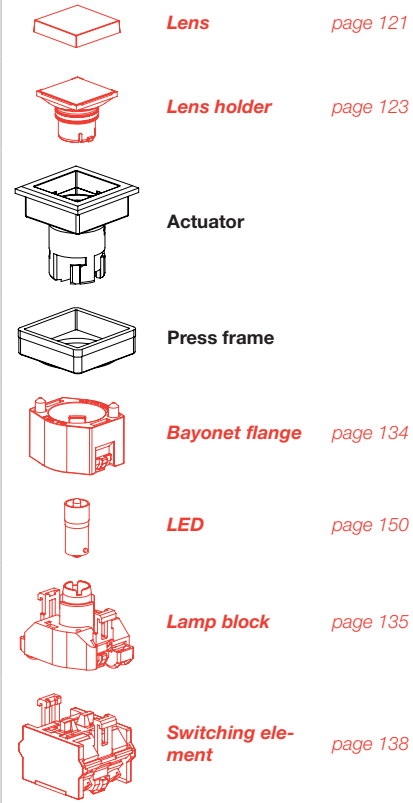
Housing	Front ring	Front bezel	Lens	Switching action	Part No.	Wiring diagram	Weight
Plastic black		Plastic silver	Plastic red	C	704.260.208	2	0.051 kg
			Plastic yellow	C	704.260.408	2	0.051 kg
			Plastic green	C	704.260.508	2	0.051 kg
			Plastic blue	C	704.260.608	2	0.051 kg
			Plastic colourless	C	704.260.708	2	0.051 kg
 <p>Illuminated pushbutton actuator, Front dimension Ø 35 mm</p>							
Plastic grey	Aluminium natural anodized		Plastic red	B	704.032.218	1	0.067 kg
			Plastic yellow	B	704.032.418	1	0.067 kg
			Plastic green	B	704.032.518	1	0.067 kg
			Plastic blue	B	704.032.618	1	0.067 kg
			Plastic colourless	B	704.032.718	1	0.067 kg
			Plastic red	C	704.062.218	2	0.067 kg
			Plastic yellow	C	704.062.418	2	0.067 kg
			Plastic green	C	704.062.518	2	0.067 kg
			Plastic blue	C	704.062.618	2	0.067 kg
			Plastic colourless	C	704.062.718	2	0.067 kg

Switching action : B = Momentary, C = Maintain



Illuminated pushbutton square, IP65

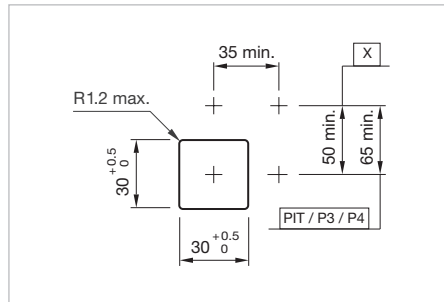
Equipment consisting of (schematic overview)



Dimensions [mm]
X = Screw terminal



Product can differ from the current configuration.




Mounting cut-outs [mm]
PIT = Push-in terminal,
P3 = Plug-in terminal 6.3 x 0.8 mm,
P4 = Double plug-in terminal 6.3 x 0.8 mm,
X = Screw terminal

Additional Information

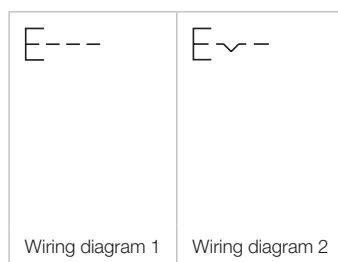
- Housing plastic black
- Other terminal options from the parts switching element and lamp block see «Accessories»
- Max. 3 switching elements can be clipped on

Each Part Number listed below includes all the black components shown in the 3D-drawing.

To obtain a complete unit, please select the red components from the pages shown.

Front bezel	Switching action	Part No.	Wiring diagram	Weight
	Illuminated pushbutton actuator square, Front dimension 35 x 35 mm			
Plastic black	B	704.741.0	1	0.020 kg
Plastic silver	B	704.741.8	1	0.020 kg
Plastic black	C	704.742.0	2	0.020 kg
Plastic silver	C	704.742.8	2	0.020 kg

Switching action : B = Momentary, C = Maintain

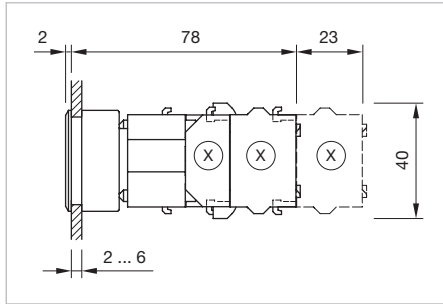


04 Flush design

Illuminated pushbutton round, IP65



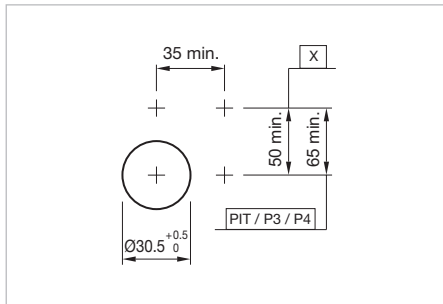
Product can differ from the current configuration.



Dimensions [mm]
X = Screw terminal

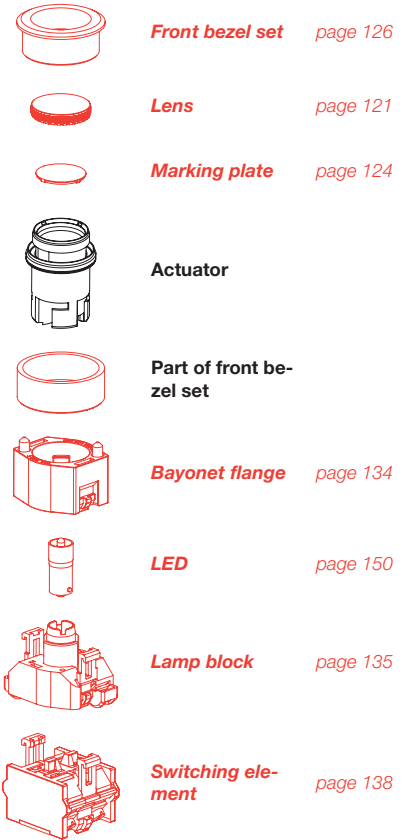
Additional Information

- For front dimension \varnothing 35 mm
- Housing plastic grey
- Choose lens plastic or lens metal with spot round
- Other terminal options from the parts switching element and lamp block see «Accessories»
- Max. 3 switching elements can be clipped on




Mounting cut-outs [mm]
PIT = Push-in terminal,
P3 = Plug-in terminal 6.3 x 0.8 mm,
P4 = Double plug-in terminal 6.3 x 0.8 mm,
X = Screw terminal

Equipment consisting of (schematic overview)

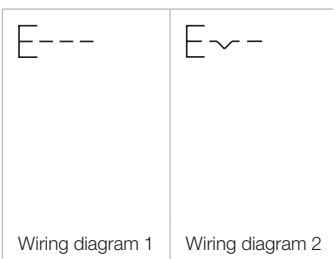


Each Part Number listed below includes all the black components shown in the 3D-drawing.

To obtain a complete unit, please select the red components from the pages shown.

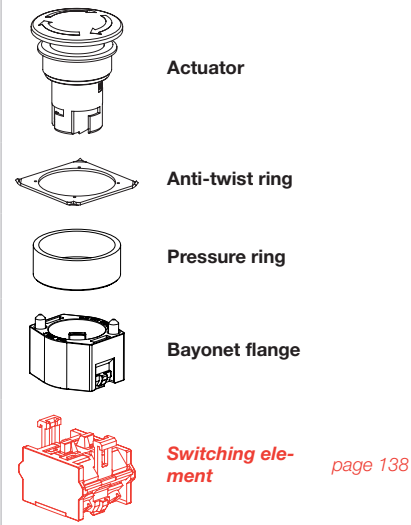
Switching action	Part No.	Wiring diagram	Weight
 <p>Illuminated pushbutton actuator round</p>			
	B	704.631.1	1
C	704.632.1	2	0.009 kg

Switching action : B = Momentary, C = Maintain



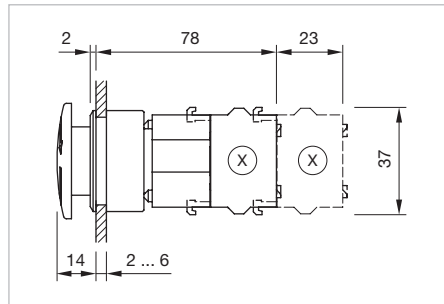
Stop switch, IP65

Equipment consisting of (schematic overview)

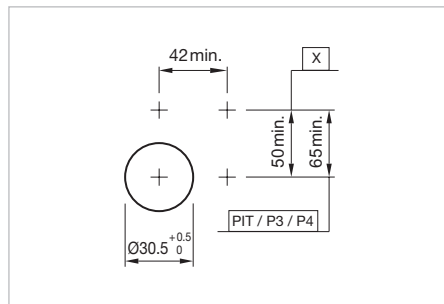


Each Part Number listed below includes all the black components shown in the 3D-drawing.

To obtain a complete unit, please select the red components from the pages shown.



Dimensions [mm]
X = Screw terminal



Mounting cut-outs [mm]
PIT = Push-in terminal,
P3 = Plug-in terminal 6.3 x 0.8 mm,
P4 = Double plug-in terminal 6.3 x 0.8 mm,
X = Screw terminal



Product can differ from the current configuration.

Additional Information

- Other terminal options from the part switching element see «Accessories»
- Twist to unlock clockwise
- Max. 3 switching elements can be clipped on
- The colour of anodized aluminium parts can vary due to technical production reasons

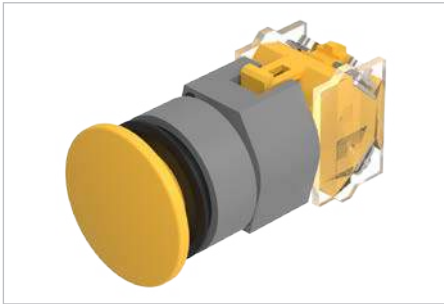
Front ring	Lens	Marking	Switching action	Part No.	Wiring diagram	Weight
<p>Stop switch actuator, Front dimension Ø 40 mm</p>						
Aluminium natural anodized	Plastic red	Arrows	C	704.075.218	1	0.048 kg
		Stop	C	704.075.318	1	0.048 kg
Aluminium black anodized	Plastic red	Arrows	C	704.074.210	1	0.048 kg
		Stop	C	704.075.310	1	0.048 kg

Switching action : C = Maintain

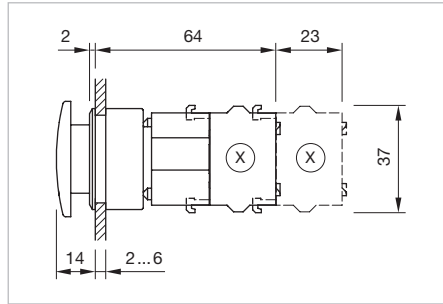


04 Flush design

Mushroom-head pushbutton, IP65



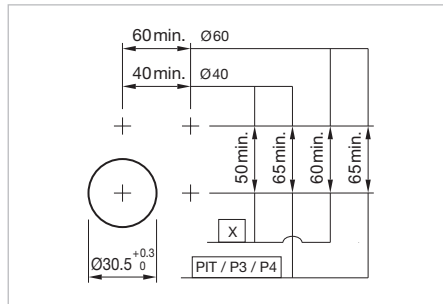
Product can differ from the current configuration.



Dimensions [mm]
X = Screw terminal

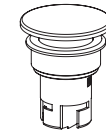
Additional Information

- Other terminal options from the part switching element see «Accessories»
- Max. 3 switching elements can be clipped on
- The colour of anodized aluminium parts can vary due to technical production reasons



Mounting cut-outs [mm]
PIT = Push-in terminal,
P3 = Plug-in terminal 6.3 x 0.8 mm,
P4 = Double plug-in terminal 6.3 x 0.8 mm,
X = Screw terminal

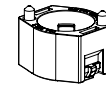
Equipment consisting of (schematic overview)



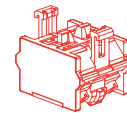
Actuator



Pressure ring



Bayonet flange




Switching element

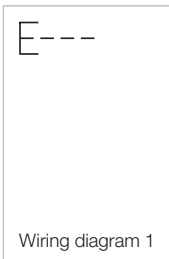
page 138

Each Part Number listed below includes all the black components shown in the 3D-drawing.

To obtain a complete unit, please select the red components from the pages shown.

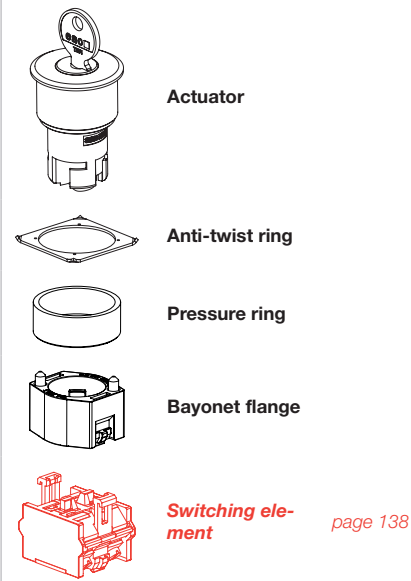
Front ring	Lens	Switching action	Part No.	Wiring diagram	Weight
 Mushroom-head pushbutton actuator, Front dimension Ø 40 mm					
Aluminium natural anodized	Plastic red	B	704.071.218	1	0.041 kg
	Plastic yellow	B	704.071.418	1	0.041 kg
Aluminium black anodized	Plastic red	B	704.071.210	1	0.041 kg
	Plastic yellow	B	704.071.410	1	0.041 kg

Switching action : B = Momentary



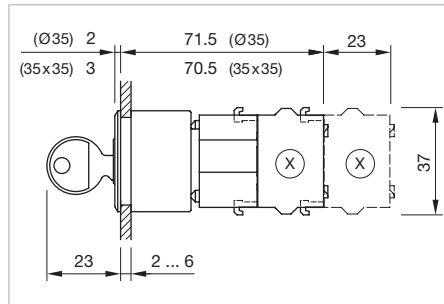
Keylock switch 2 positions, IP65

Equipment consisting of (schematic overview)

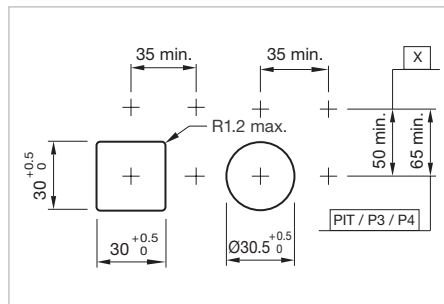


Each Part Number listed below includes all the black components shown in the 3D-drawing.

To obtain a complete unit, please select the red components from the pages shown.



Dimensions [mm]
X = Screw terminal



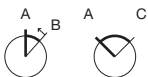
Mounting cut-outs [mm]
PIT = Push-in terminal,
P3 = Plug-in terminal 6.3 x 0.8 mm,
P4 = Double plug-in terminal 6.3 x 0.8 mm,
X = Screw terminal




Product can differ from the current configuration.

Additional Information


- Other terminal options from the part switching element see «Accessories»
- The colour of anodized aluminium parts can vary due to technical production reasons
- The standard lock Ronis 251
- Two keys are supplied with each key lock switch
- Further lock numbers see «Technical data»
- Max. 3 switching elements can be clipped on



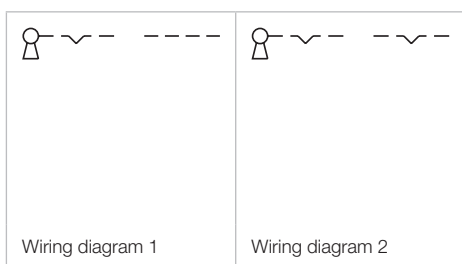
Switching positions (A = Rest, B = Momentary, C = Maintained)

Front ring	Front bezel	Switching action	Switching angle	Key remove	Part No.	Wiring diagram	Weight
	Keylock switch actuator 2 positions, Front dimension 35 x 35 mm						
	Plastic black	A - B	B = 42°	A	704.343.000	1	0.099 kg
	Plastic silver	A - B	B = 42°	A	704.343.008	1	0.099 kg
	Plastic black	A - C	C = 90°	C	704.340.000	2	0.099 kg
				A	704.341.000	2	0.099 kg
				A + C	704.342.000	2	0.099 kg
				A + C	704.342.008	2	0.099 kg
	Plastic silver	A - C	C = 90°	C	704.340.008	2	0.099 kg
				A	704.341.008	2	0.099 kg
				A + C	704.342.008	2	0.099 kg

04 Flush design

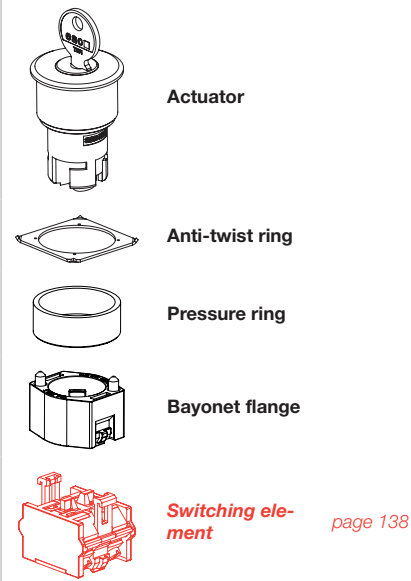
Front ring	Front bezel	Switching action	Switching angle	Key remove	Part No.	Wiring diagram	Weight
 <p>Keylock switch actuator 2 positions, Front dimension Ø 35 mm</p>							
Aluminium natural anodized		A - B	B = 42°	A	704.123.018	1	0.099 kg
		A - C	C = 90°	C	704.120.018	2	0.099 kg
				A	704.121.018	2	0.099 kg
				A + C	704.122.018	2	0.099 kg

Switching action : A = Rest, B = Momentary, C = Maintain



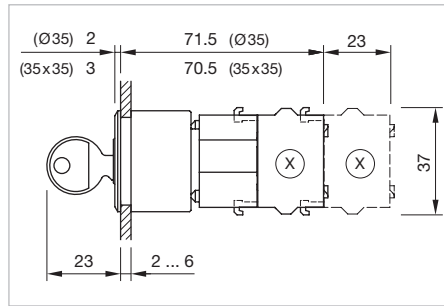
Keylock switch 3 positions, IP65

Equipment consisting of (schematic overview)

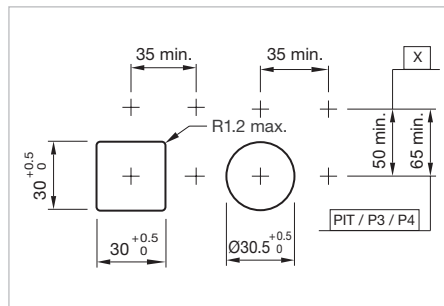


Each Part Number listed below includes all the black components shown in the 3D-drawing.

To obtain a complete unit, please select the red components from the pages shown.



Dimensions [mm]
X = Screw terminal



Mounting cut-outs [mm]
PIT = Push-in terminal,
P3 = Plug-in terminal 6.3 x 0.8 mm,
P4 = Double plug-in terminal 6.3 x 0.8 mm,
X = Screw terminal




Product can differ from the current configuration.

Additional Information


- Other terminal options from the part switching element see «Accessories»
- The colour of anodized aluminium parts can vary due to technical production reasons
- Locknumbers 251, lock type Ronis
- Two keys are supplied with each key lock switch
- Further lock numbers see «Technical data»
- Max. 3 switching elements can be clipped on







Switching positions (A = Rest, B = Momentary, C = Maintained)

Front ring	Front bezel	Switching action	Switching angle	Key remove	Part No.	Wiring diagram	Weight
	Keylock switch actuator 3 positions, Front dimension 35 x 35 mm						
	Plastic black	B - A - C	B = 42°, C = 42°	A	704.338.000	1	0.099 kg
	Plastic silver	B - A - C	B = 42°, C = 42°	A	704.338.008	1	0.099 kg
	Plastic black	C - A - B	C = 42°, B = 42°	C	704.337.000	2	0.099 kg
				C + A	704.344.000	2	0.099 kg
	Plastic silver	C - A - B	C = 42°, B = 42°	C	704.337.008	2	0.099 kg
				C + A	704.344.008	2	0.099 kg
	Plastic black	B - A - B	B = 42° / 42°	A	704.335.000	3	0.099 kg
	Plastic silver	B - A - B	B = 42° / 42°	A	704.335.008	3	0.099 kg
	Plastic black	C - A - C	C = 42° / 42°	A	704.334.000	4	0.099 kg
				C + C	704.336.000	4	0.099 kg
	Plastic silver	C - A - C	C = 42° / 42°	A	704.334.008	4	0.099 kg
				C + C	704.336.008	4	0.099 kg
	Plastic black	C - A - C	C = 90° / 90°	C + A + C	704.333.000	4	0.099 kg
	Plastic silver	C - A - C	C = 90° / 90°	C + A + C	704.333.008	4	0.099 kg

04 Flush design

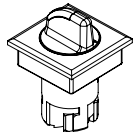
Front ring	Front bezel	Switching action	Switching angle	Key remove	Part No.	Wiring diagram	Weight
 <p>Keylock switch actuator 3 positions, Front dimension Ø 35 mm</p>							
Aluminium natural anodized		B - A - C	B = 42°, C = 42°	A	704.118.018	1	0.099 kg
		C - A - B	C = 42°, B = 42°	C	704.117.018	2	0.099 kg
				C + A	704.124.018	2	0.099 kg
		B - A - B	B = 42° / 42°	A	704.115.018	3	0.099 kg
		C - A - C	C = 42° / 42°	A	704.114.018	4	0.099 kg
				C + C	704.116.018	4	0.099 kg
			C = 90° / 90°	C + A + C	704.113.018	4	0.099 kg

Switching action : A = Rest, B = Momentary, C = Maintain

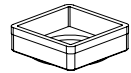
			
Wiring diagram 1	Wiring diagram 2	Wiring diagram 3	Wiring diagram 4

Selector switch actuator illuminated, 2 positions short lever, IP65

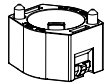
Equipment consisting of (schematic overview)



Actuator



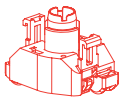
Press frame



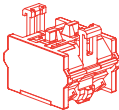
Bayonet flange



LED *page 150*



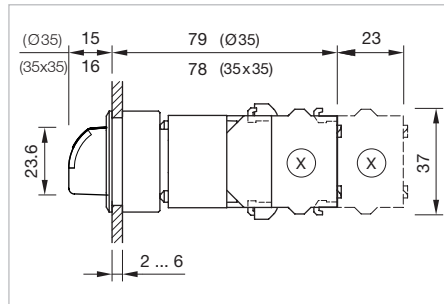
Lamp block *page 135*



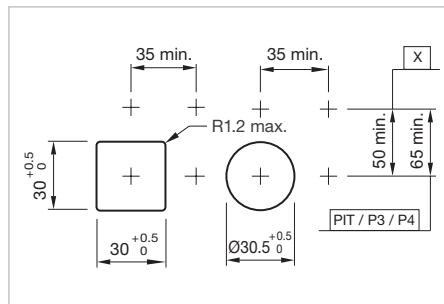
Switching element *page 138*

Each Part Number listed below includes all the black components shown in the 3D-drawing.

To obtain a complete unit, please select the red components from the pages shown.



Dimensions [mm]
X = Screw terminal



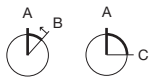
Mounting cut-outs [mm]
PIT = Push-in terminal,
P3 = Plug-in terminal 6.3 x 0.8 mm,
P4 = Double plug-in terminal 6.3 x 0.8 mm,
X = Screw terminal




Product can differ from the current configuration.

Additional Information


- Other terminal options from the part switching element see «Accessories»
- The colour of anodized aluminium parts can vary due to technical production reasons
- Max. 3 switching elements can be clipped on



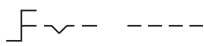
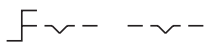
Switching positions (A = Rest, B = Momentary, C = Maintained)

Lever	Front ring	Front bezel	Switching action	Switching angle	Part No.	Wiring diagram	Weight
 Selector switch actuator illuminated, 2 positions, short lever, Front dimension 35 x 35 mm							
Plastic black		Plastic black	A - B	B = 42°	704.512.000I	1	0.056 kg
		Plastic silver	A - B	B = 42°	704.512.008I	1	0.056 kg
		Plastic black	A - C	C = 90°	704.510.000I	2	0.056 kg
		Plastic silver	A - C	C = 90°	704.510.008I	2	0.056 kg

04 Flush design

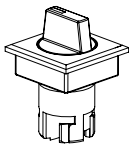
Lever	Front ring	Front bezel	Switching action	Switching angle	Part No.	Wiring diagram	Weight
 <p>Selector switch actuator illuminated, 2 positions, short lever, Front dimension Ø 35 mm</p>							
Plastic black	Aluminium black anodized		A - B	B = 42°	704.413.010I	1	0.056 kg
	Aluminium natural anodized		A - B	B = 42°	704.413.018I	1	0.056 kg
	Aluminium black anodized		A - C	C = 90°	704.411.010I	2	0.056 kg
	Aluminium natural anodized		A - C	C = 90°	704.411.018I	2	0.056 kg

Switching action : A = Rest, B = Momentary, C = Maintain

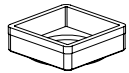
	
Wiring diagram 1	Wiring diagram 2

Selector switch actuator 2 positions short lever, IP65

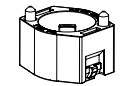
Equipment consisting of (schematic overview)



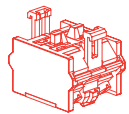
Actuator



Press frame



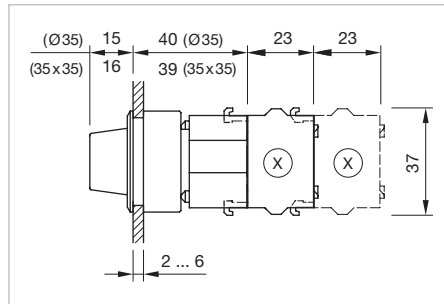
Bayonet flange



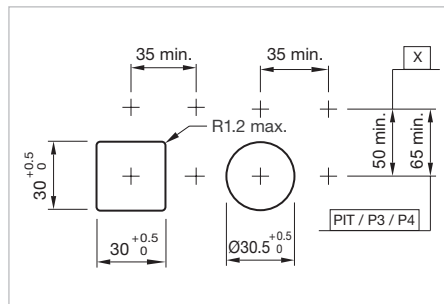
Switching element *page 138*

Each Part Number listed below includes all the black components shown in the 3D-drawing.

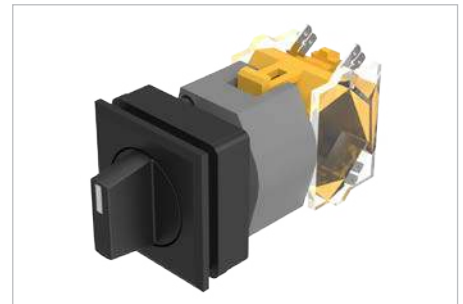
To obtain a complete unit, please select the red components from the pages shown.



Dimensions [mm]
X = Screw terminal



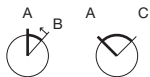
Mounting cut-outs [mm]
PIT = Push-in terminal,
P3 = Plug-in terminal 6.3 x 0.8 mm,
P4 = Double plug-in terminal 6.3 x 0.8 mm,
X = Screw terminal




Product can differ from the current configuration.

Additional Information


- Other terminal options from the part switching element see «Accessories»
- The colour of anodized aluminium parts can vary due to technical production reasons
- Max. 3 switching elements can be clipped on



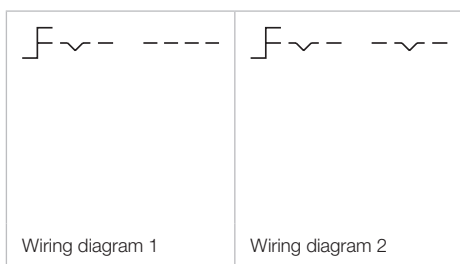
Switching positions (A = Rest, B = Momentary, C = Maintained)

Lever	Front ring	Front bezel	Switching action	Switching angle	Part No.	Wiring diagram	Weight
 <p>Selector switch actuator 2 positions, short lever, Front dimension 35 x 35 mm</p>							
Plastic black		Plastic black	A - B	B = 42°	704.512.000	1	0.056 kg
		Plastic silver	A - B	B = 42°	704.512.008	1	0.056 kg
		Plastic black	A - C	C = 90°	704.510.000	2	0.056 kg
		Plastic silver	A - C	C = 90°	704.510.008	2	0.056 kg

04 Flush design

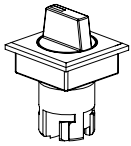
Lever	Front ring	Front bezel	Switching action	Switching angle	Part No.	Wiring diagram	Weight
 <p>Selector switch actuator 2 positions, short lever, Front dimension Ø 35 mm</p>							
Plastic black	Aluminium black anodized		A - B	B = 42°	704.413.010	1	0.056 kg
	Aluminium natural anodized		A - B	B = 42°	704.413.018	1	0.056 kg
	Aluminium black anodized		A - C	C = 90°	704.411.010	2	0.056 kg
	Aluminium natural anodized		A - C	C = 90°	704.411.018	2	0.056 kg

Switching action : A = Rest, B = Momentary, C = Maintain

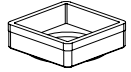


Selector switch 2 positions 12 o'clock short lever , IP65

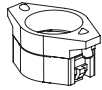
Equipment consisting of (schematic overview)



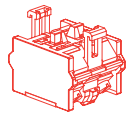
Actuator



Press frame



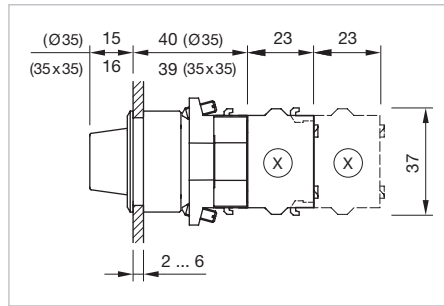
Bayonet flange



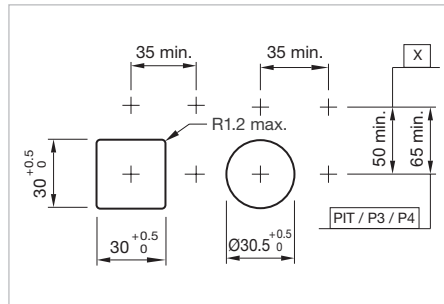
Switching element *page 138*

Each Part Number listed below includes all the black components shown in the 3D-drawing.

To obtain a complete unit, please select the red components from the pages shown.



Dimensions [mm]
X = Screw terminal



Mounting cut-outs [mm]
PIT = Push-in terminal,
P3 = Plug-in terminal 6.3 x 0.8 mm,
P4 = Double plug-in terminal 6.3 x 0.8 mm,
X = Screw terminal





Product can differ from the current configuration.

Additional Information

- Other terminal options from the part switching element see «Accessories»
- The colour of anodized aluminium parts can vary due to technical production reasons
- Max. 3 switching elements can be clipped on



Switching positions (A = Rest, B = Momentary, C = Maintained)

Lever	Front ring	Front bezel	Switching action	Switching angle	Part No.	Wiring diagram	Weight
 <p>Selector switch actuator 2 positions 12 o'clock, short lever , Front dimension 35 x 35 mm</p>							
Plastic black		Plastic black	A - C	C = 90°	704.510.000.12	1	0.056 kg
		Plastic silver	A - C	C = 90°	704.510.008.12	1	0.056 kg
 <p>Selector switch actuator 2 positions 12 o'clock, short lever , Front dimension Ø 35 mm</p>							
Plastic black	Aluminium black anodized		A - C	C = 90°	704.411.010.12	1	0.056 kg
	Aluminium natural anodized		A - C	C = 90°	704.411.018.12	1	0.056 kg

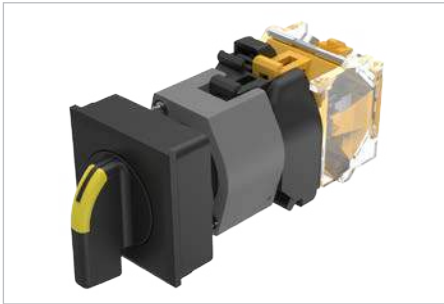
Switching action : A = Rest, C = Maintain



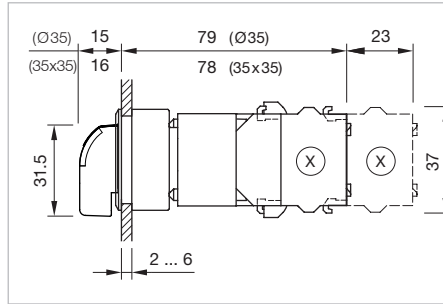
Wiring diagram 1

04 Flush design

Selector switch illuminated, 2 positions, long lever, IP65



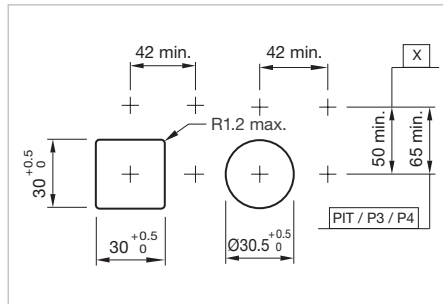
Product can differ from the current configuration.



Dimensions [mm]
X = Screw terminal

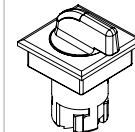
Additional Information

- Other terminal options from the part switching element see «Accessories»
- The colour of anodized aluminium parts can vary due to technical production reasons
- Max. 3 switching elements can be clipped on

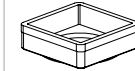


Mounting cut-outs [mm]
PIT = Push-in terminal,
P3 = Plug-in terminal 6.3 x 0.8 mm,
P4 = Double plug-in terminal 6.3 x 0.8 mm,
X = Screw terminal

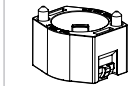
Equipment consisting of (schematic overview)



Actuator



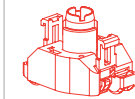
Press frame



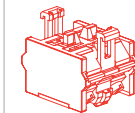
Bayonet flange



LED [page 150](#)



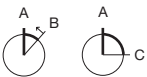
Lamp block [page 135](#)




Switching element [page 138](#)


Each Part Number listed below includes all the black components shown in the 3D-drawing.

To obtain a complete unit, please select the red components from the pages shown.

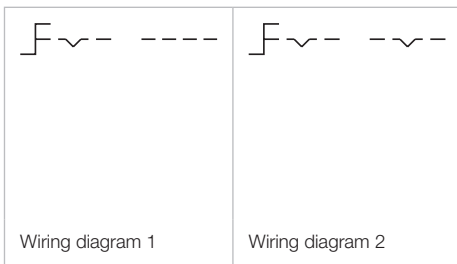


Switching positions (A = Rest, B = Momentary, C = Maintained)

Lever	Front ring	Front bezel	Switching action	Switching angle	Part No.	Wiring diagram	Weight
 <p>Selector switch actuator illuminated, 2 positions, long lever, Front dimension 35 x 35 mm</p>							
Plastic black		Plastic black	A - B	B = 42°	704.302.000I	1	0.056 kg
		Plastic silver	A - B	B = 42°	704.302.008I	1	0.056 kg
		Plastic black	A - C	C = 90°	704.300.000I	2	0.056 kg
		Plastic silver	A - C	C = 90°	704.300.008I	2	0.056 kg

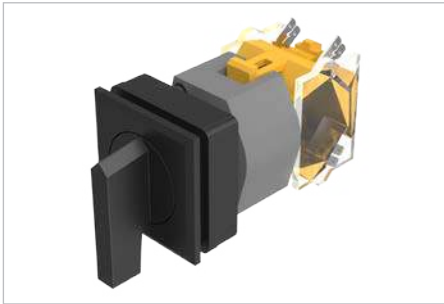
Lever	Front ring	Front bezel	Switching action	Switching angle	Part No.	Wiring diagram	Weight
 <p>Selector switch actuator illuminated, 2 positions, long lever, Front dimension Ø 35 mm</p>							
Plastic black	Aluminium natural anodized		A - B	B = 42°	704.103.018I	1	0.056 kg
	Aluminium black anodized		A - C	C = 90°	704.101.010I	2	0.056 kg
	Aluminium natural anodized		A - C	C = 90°	704.101.018I	2	0.056 kg

Switching action : A = Rest, B = Momentary, C = Maintain

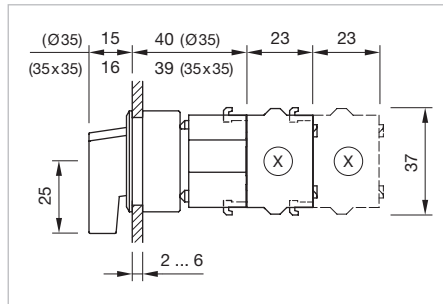


04 Flush design

Selector switch 2 positions long lever, IP65



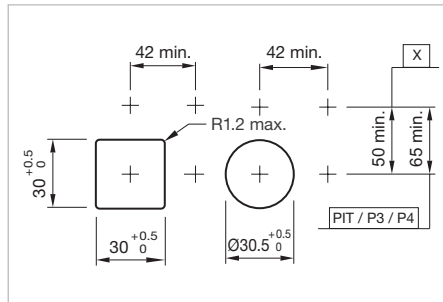
Product can differ from the current configuration.



Dimensions [mm]
X = Screw terminal

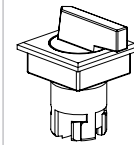
Additional Information

- Other terminal options from the part switching element see «Accessories»
- The colour of anodized aluminium parts can vary due to technical production reasons
- Max. 3 switching elements can be clipped on

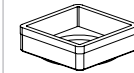


Mounting cut-outs [mm]
PIT = Push-in terminal,
P3 = Plug-in terminal 6.3 x 0.8 mm,
P4 = Double plug-in terminal 6.3 x 0.8 mm,
X = Screw terminal

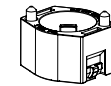
Equipment consisting of (schematic overview)



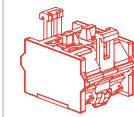
Actuator



Press frame



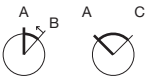
Bayonet flange




Switching element [page 138](#)


Each Part Number listed below includes all the black components shown in the 3D-drawing.

To obtain a complete unit, please select the red components from the pages shown.

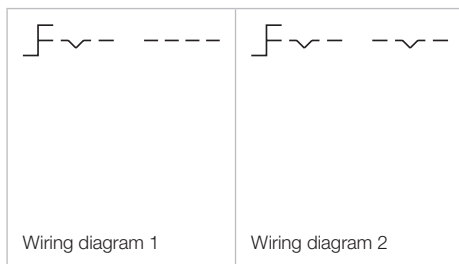


Switching positions (A = Rest, B = Momentary, C = Maintained)

Lever	Front ring	Front bezel	Switching action	Switching angle	Part No.	Wiring diagram	Weight
 <p>Selector switch actuator 2 positions, long lever, Front dimension 35 x 35 mm</p>		Plastic black	A - B	B = 42°	704.302.000	1	0.056 kg
		Plastic silver	A - B	B = 42°	704.302.008	1	0.056 kg
		Plastic black	A - C	C = 90°	704.300.000	2	0.056 kg
		Plastic silver	A - C	C = 90°	704.300.008	2	0.056 kg

Lever	Front ring	Front bezel	Switching action	Switching angle	Part No.	Wiring diagram	Weight
 <p>Selector switch actuator 2 positions, long lever, Front dimension Ø 35 mm</p>							
Plastic black	Aluminium natural anodized		A - B	B = 42°	704.103.018	1	0.056 kg
	Aluminium black anodized		A - C	C = 90°	704.101.010	2	0.056 kg
	Aluminium natural anodized		A - C	C = 90°	704.101.018	2	0.056 kg

Switching action : A = Rest, B = Momentary, C = Maintain

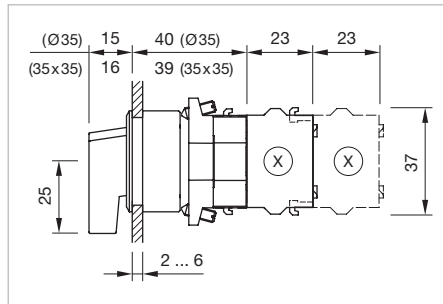


04 Flush design

Selector switch 2 positions 12 o'clock long lever, IP65



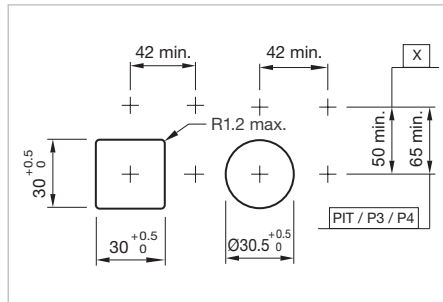
Product can differ from the current configuration.



Dimensions [mm]
X = Screw terminal

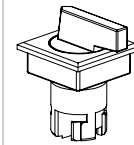
Additional Information

- Other terminal options from the part switching element see «Accessories»
- The colour of anodized aluminium parts can vary due to technical production reasons
- Max. 3 switching elements can be clipped on

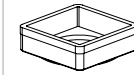


Mounting cut-outs [mm]
PIT = Push-in terminal,
P3 = Plug-in terminal 6.3 x 0.8 mm,
P4 = Double plug-in terminal 6.3 x 0.8 mm,
X = Screw terminal

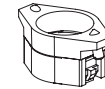
Equipment consisting of (schematic overview)



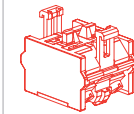
Actuator



Press frame



Bayonet flange



Switching element


page 138


Each Part Number listed below includes all the black components shown in the 3D-drawing.

To obtain a complete unit, please select the red components from the pages shown.

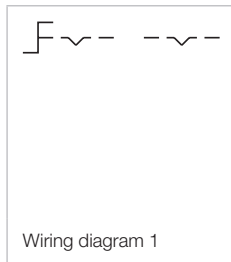


Switching positions (A = Rest, B = Momentary, C = Maintained)

Lever	Front ring	Front bezel	Switching action	Switching angle	Part No.	Wiring diagram	Weight
 <p>Selector switch actuator 2 positions 12 o'clock, long lever, Front dimension 35 x 35 mm</p>		Plastic black	A - C	C = 90°	704.300.000.12	1	0.056 kg
		Plastic silver	A - C	C = 90°	704.300.008.12	1	0.056 kg

Lever	Front ring	Front bezel	Switching action	Switching angle	Part No.	Wiring diagram	Weight
 <p>Selector switch actuator 2 positions 12 o'clock, long lever, Front dimension Ø 35 mm</p>							
Plastic black	Aluminium black anodized		A - C	C = 90°	704.101.010.12	1	0.056 kg
	Aluminium natural anodized		A - C	C = 90°	704.101.018.12	1	0.056 kg

Switching action : A = Rest, C = Maintain

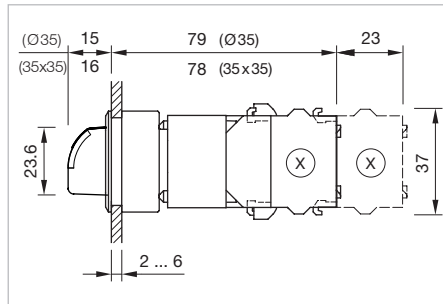


04 Flush design

Selector switch illuminated, 3 positions, short lever, IP65

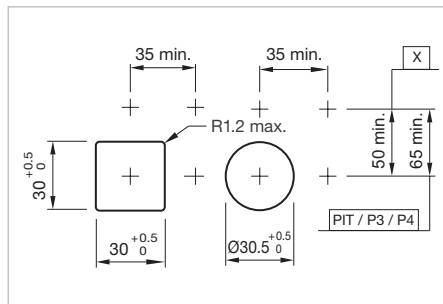


Product can differ from the current configuration.

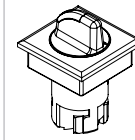


Additional Information

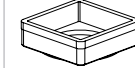
- Other terminal options from the part switching element see «Accessories»
- The colour of anodized aluminium parts can vary due to technical production reasons
- Max. 3 switching elements can be clipped on



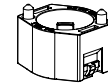
Equipment consisting of (schematic overview)



Actuator



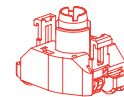
Press frame



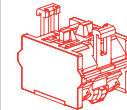
Bayonet flange



LED [page 150](#)



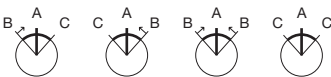
Lamp block [page 135](#)




Switching element [page 138](#)


Each Part Number listed below includes all the black components shown in the 3D-drawing.

To obtain a complete unit, please select the red components from the pages shown.

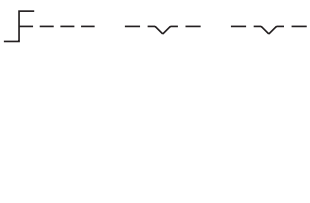
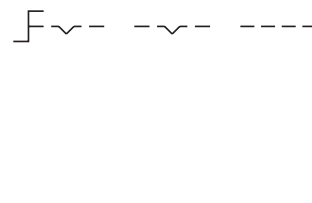
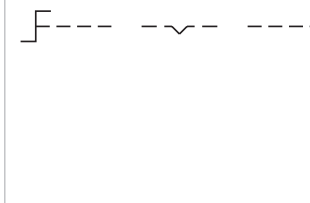
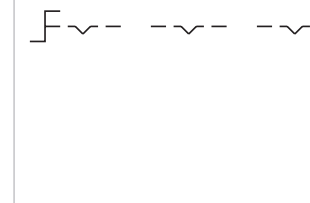


Switching positions (A = Rest, B = Momentary, C = Maintained)

Lever	Front ring	Front bezel	Switching action	Switching angle	Part No.	Wiring diagram	Weight
 Selector switch actuator illuminated, 3 positions, short lever, Front dimension Ø 35 mm							
Plastic black		Plastic black	B - A - C	B = 42°, C = 42°	704.508.000I	1	0.056 kg
		Plastic silver	B - A - C	B = 42°, C = 42°	704.508.008I	1	0.056 kg
		Plastic black	C - A - B	C = 42°, B = 42°	704.506.000I	2	0.056 kg
		Plastic silver	C - A - B	C = 42°, B = 42°	704.506.008I	2	0.056 kg
		Plastic black	B - A - B	B = 42° / 42°	704.504.000I	3	0.056 kg
		Plastic silver	B - A - B	B = 42° / 42°	704.504.008I	3	0.056 kg
		Plastic black	C - A - C	C = 42° / 42°	704.502.000I	4	0.056 kg
		Plastic silver	C - A - C	C = 42° / 42°	704.502.008I	4	0.056 kg

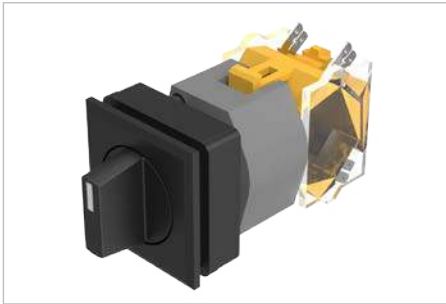
Lever	Front ring	Front bezel	Switching action	Switching angle	Part No.	Wiring diagram	Weight
 <p>Selector switch actuator illuminated, 3 positions, short lever, Front dimension Ø 35 mm</p>							
Plastic black	Aluminium black anodized		B - A - C	B = 42°, C = 42°	704.409.010I	1	0.056 kg
	Aluminium natural anodized		B - A - C	B = 42°, C = 42°	704.409.018I	1	0.056 kg
	Aluminium black anodized		C - A - B	C = 42°, B = 42°	704.407.010I	2	0.056 kg
	Aluminium natural anodized		C - A - B	C = 42°, B = 42°	704.407.018I	2	0.056 kg
	Aluminium black anodized		B - A - B	B = 42° / 42°	704.405.010I	3	0.056 kg
	Aluminium natural anodized		B - A - B	B = 42° / 42°	704.405.018I	3	0.056 kg
	Aluminium black anodized		C - A - C	C = 42° / 42°	704.403.010I	4	0.056 kg
	Aluminium natural anodized		C - A - C	C = 42° / 42°	704.403.018I	4	0.056 kg

Switching action : A = Rest, B = Momentary, C = Maintain

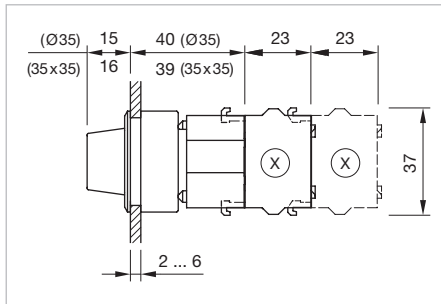
			
Wiring diagram 1	Wiring diagram 2	Wiring diagram 3	Wiring diagram 4

04 Flush design

Selector switch 3 positions short lever, IP65



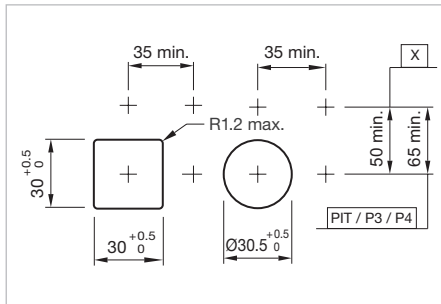
Product can differ from the current configuration.



Dimensions [mm]
X = Screw terminal

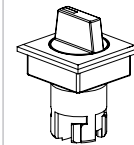
Additional Information

- Other terminal options from the part switching element see «Accessories»
- The colour of anodized aluminium parts can vary due to technical production reasons
- Max. 3 switching elements can be clipped on

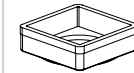


Mounting cut-outs [mm]
PIT = Push-in terminal,
P3 = Plug-in terminal 6.3 x 0.8 mm,
P4 = Double plug-in terminal 6.3 x 0.8 mm,
X = Screw terminal

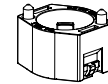
Equipment consisting of (schematic overview)



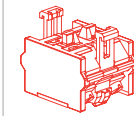
Actuator



Press frame



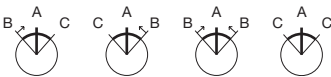
Bayonet flange




Switching element [page 138](#)


Each Part Number listed below includes all the black components shown in the 3D-drawing.

To obtain a complete unit, please select the red components from the pages shown.







Switching positions (A = Rest, B = Momentary, C = Maintained)

Lever	Front ring	Front bezel	Switching action	Switching angle	Part No.	Wiring diagram	Weight
 Selector switch actuator 3 positions, short lever, Front dimension 35 x 35 mm							
Plastic black		Plastic black	B - A - C	B = 42°, C = 42°	704.508.000	1	0.056 kg
		Plastic silver	B - A - C	B = 42°, C = 42°	704.508.008	1	0.056 kg
		Plastic black	C - A - B	C = 42°, B = 42°	704.506.000	2	0.056 kg
		Plastic silver	C - A - B	C = 42°, B = 42°	704.506.008	2	0.056 kg
		Plastic black	B - A - B	B = 42° / 42°	704.504.000	3	0.056 kg
		Plastic silver	B - A - B	B = 42° / 42°	704.504.008	3	0.056 kg
		Plastic black	C - A - C	C = 42° / 42°	704.502.000	4	0.056 kg
		Plastic silver	C - A - C	C = 42° / 42°	704.502.008	4	0.056 kg

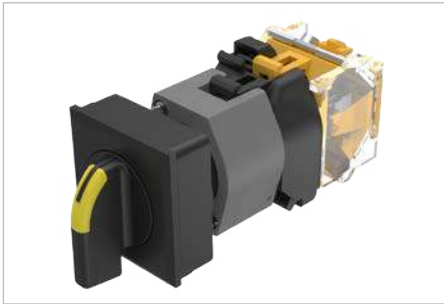
Lever	Front ring	Front bezel	Switching action	Switching angle	Part No.	Wiring diagram	Weight
 <p>Selector switch actuator 3 positions, short lever, Front dimension Ø 35 mm</p>							
Plastic black	Aluminium black anodized		B - A - C	B = 42°, C = 42°	704.409.010	1	0.056 kg
	Aluminium natural anodized		B - A - C	B = 42°, C = 42°	704.409.018	1	0.056 kg
	Aluminium black anodized		C - A - B	C = 42°, B = 42°	704.407.010	2	0.056 kg
	Aluminium natural anodized		C - A - B	C = 42°, B = 42°	704.407.018	2	0.056 kg
	Aluminium black anodized		B - A - B	B = 42° / 42°	704.405.010	3	0.056 kg
	Aluminium natural anodized		B - A - B	B = 42° / 42°	704.405.018	3	0.056 kg
	Aluminium black anodized		C - A - C	C = 42° / 42°	704.403.010	4	0.056 kg
	Aluminium natural anodized		C - A - C	C = 42° / 42°	704.403.018	4	0.056 kg

Switching action : A = Rest, B = Momentary, C = Maintain

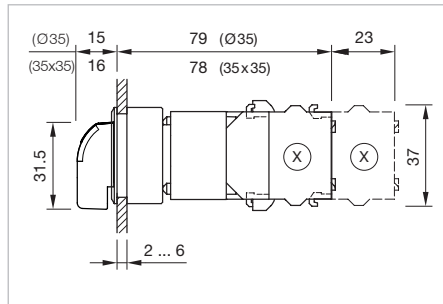
			
Wiring diagram 1	Wiring diagram 2	Wiring diagram 3	Wiring diagram 4

04 Flush design

Selector switch illuminated, 3 positions, long lever, IP65



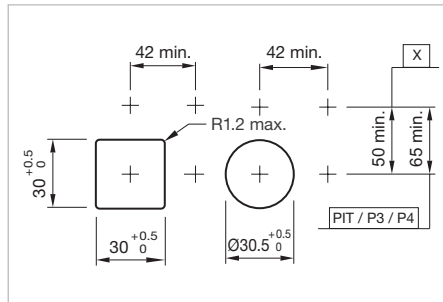
Product can differ from the current configuration.



Dimensions [mm]
X = Screw terminal

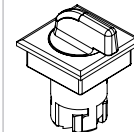
Additional Information

- Other terminal options from the part switching element see «Accessories»
- The colour of anodized aluminium parts can vary due to technical production reasons
- Max. 3 switching elements can be clipped on

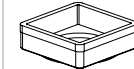


Mounting cut-outs [mm]
PIT = Push-in terminal,
P3 = Plug-in terminal 6.3 x 0.8 mm,
P4 = Double plug-in terminal 6.3 x 0.8 mm,
X = Screw terminal

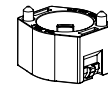
Equipment consisting of (schematic overview)



Actuator



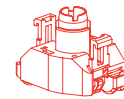
Press frame



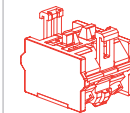
Bayonet flange



LED [page 150](#)



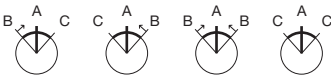
Lamp block [page 135](#)




Switching element [page 138](#)


Each Part Number listed below includes all the black components shown in the 3D-drawing.

To obtain a complete unit, please select the red components from the pages shown.

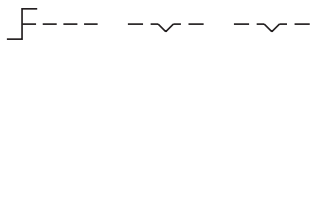
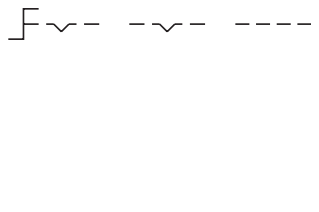
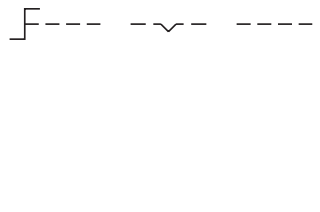
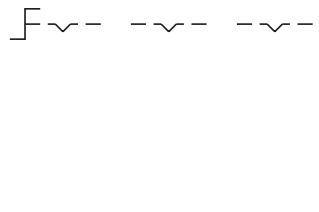


Switching positions (A = Rest, B = Momentary, C = Maintained)

Lever	Front ring	Front bezel	Switching action	Switching angle	Part No.	Wiring diagram	Weight	
	Selector switch actuator illuminated, 3 positions, long lever, Front dimension 35 x 35 mm							
	Plastic black		Plastic black	B - A - C	B = 42°, C = 42°	704.298.000I	1	0.056 kg
			Plastic silver	B - A - C	B = 42°, C = 42°	704.298.008I	1	0.056 kg
			Plastic black	C - A - B	C = 42°, B = 42°	704.296.000I	2	0.056 kg
			Plastic silver	C - A - B	C = 42°, B = 42°	704.296.008I	2	0.056 kg
			Plastic black	B - A - B	B = 42° / 42°	704.294.000I	3	0.056 kg
			Plastic silver	B - A - B	B = 42° / 42°	704.294.008I	3	0.056 kg
			Plastic black	C - A - C	C = 42° / 42°	704.292.000I	4	0.056 kg
Plastic silver			C - A - C	C = 42° / 42°	704.292.008I	4	0.056 kg	

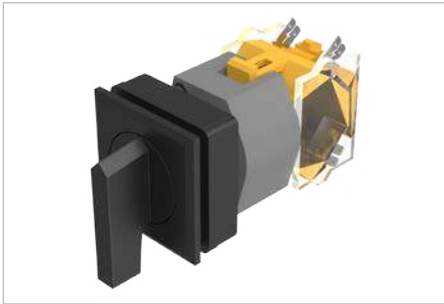
Lever	Front ring	Front bezel	Switching action	Switching angle	Part No.	Wiring diagram	Weight
 <p>Selector switch actuator illuminated, 3 positions, long lever, Front dimension Ø 35 mm</p>							
Plastic black	Aluminium black anodized		B - A - C	B = 42°, C = 42°	704.099.010I	1	0.056 kg
	Aluminium natural anodized		B - A - C	B = 42°, C = 42°	704.099.018I	1	0.056 kg
	Aluminium black anodized		C - A - B	C = 42°, B = 42°	704.097.010I	2	0.056 kg
	Aluminium natural anodized		C - A - B	C = 42°, B = 42°	704.097.018I	2	0.056 kg
	Aluminium black anodized		B - A - B	B = 42° / 42°	704.095.010I	3	0.056 kg
	Aluminium natural anodized		B - A - B	B = 42° / 42°	704.095.018I	3	0.056 kg
	Aluminium black anodized		C - A - C	C = 42° / 42°	704.093.010I	4	0.056 kg
	Aluminium natural anodized		C - A - C	C = 42° / 42°	704.093.018I	4	0.056 kg

Switching action : A = Rest, B = Momentary, C = Maintain

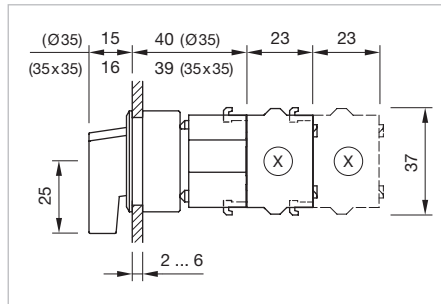
			
Wiring diagram 1	Wiring diagram 2	Wiring diagram 3	Wiring diagram 4

04 Flush design

Selector switch 3 positions long lever, IP65



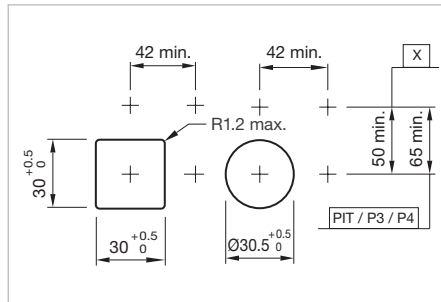
Product can differ from the current configuration.



Dimensions [mm]
X = Screw terminal

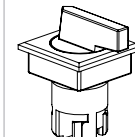
Additional Information

- Other terminal options from the part switching element see «Accessories»
- The colour of anodized aluminium parts can vary due to technical production reasons
- Max. 3 switching elements can be clipped on

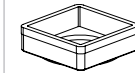


Mounting cut-outs [mm]
PIT = Push-in terminal,
P3 = Plug-in terminal 6.3 x 0.8 mm,
P4 = Double plug-in terminal 6.3 x 0.8 mm,
X = Screw terminal

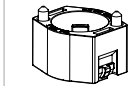
Equipment consisting of (schematic overview)



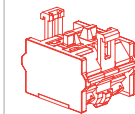
Actuator



Press frame



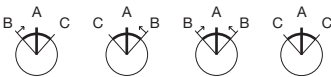
Bayonet flange




Switching element [page 138](#)


Each Part Number listed below includes all the black components shown in the 3D-drawing.

To obtain a complete unit, please select the red components from the pages shown.


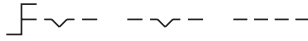
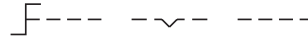
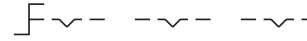


Switching positions (A = Rest, B = Momentary, C = Maintained)

Lever	Front ring	Front bezel	Switching action	Switching angle	Part No.	Wiring diagram	Weight
 <p>Selector switch actuator 3 positions, long lever, Front dimension 35 x 35 mm</p>							
Plastic black		Plastic black	B - A - C	B = 42°, C = 42°	704.298.000	1	0.056 kg
		Plastic silver	B - A - C	B = 42°, C = 42°	704.298.008	1	0.056 kg
		Plastic black	C - A - B	C = 42°, B = 42°	704.296.000	2	0.056 kg
		Plastic silver	C - A - B	C = 42°, B = 42°	704.296.008	2	0.056 kg
		Plastic black	B - A - B	B = 42° / 42°	704.294.000	3	0.056 kg
		Plastic silver	B - A - B	B = 42° / 42°	704.294.008	3	0.056 kg
		Plastic black	C - A - C	C = 42° / 42°	704.292.000	4	0.056 kg
		Plastic silver	C - A - C	C = 42° / 42°	704.292.008	4	0.056 kg

Lever	Front ring	Front bezel	Switching action	Switching angle	Part No.	Wiring diagram	Weight
 <p>Selector switch actuator 3 positions, long lever, Front dimension Ø 35 mm</p>							
Plastic black	Aluminium black anodized		B - A - C	B = 42°, C = 42°	704.099.010	1	0.056 kg
	Aluminium natural anodized		B - A - C	B = 42°, C = 42°	704.099.018	1	0.056 kg
	Aluminium black anodized		C - A - B	C = 42°, B = 42°	704.097.010	2	0.056 kg
	Aluminium natural anodized		C - A - B	C = 42°, B = 42°	704.097.018	2	0.056 kg
	Aluminium black anodized		B - A - B	B = 42° / 42°	704.095.010	3	0.056 kg
	Aluminium natural anodized		B - A - B	B = 42° / 42°	704.095.018	3	0.056 kg
	Aluminium black anodized		C - A - C	C = 42° / 42°	704.093.010	4	0.056 kg
	Aluminium natural anodized		C - A - C	C = 42° / 42°	704.093.018	4	0.056 kg

Switching action : A = Rest, B = Momentary, C = Maintain

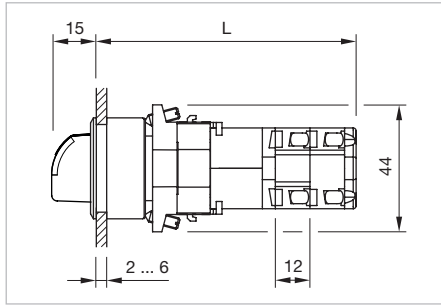
			
Wiring diagram 1	Wiring diagram 2	Wiring diagram 3	Wiring diagram 4

04 Flush design

Selector rotary switch short lever rounded, IP65



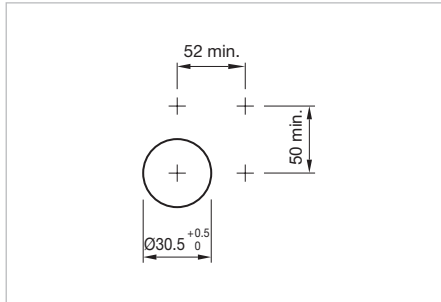
Product can differ from the current configuration.



Dimensions [mm]
 $L = (\text{Number of stages} \times 12) + 66.5 \text{ mm}$

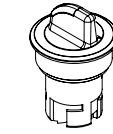
Additional Information

- The colour of anodized aluminium parts can vary due to technical production reasons
- In combination with the switching elements K&N, the selector switch can not be illuminated

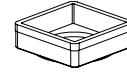


Mounting cut-outs [mm]

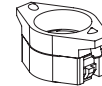
Equipment consisting of (schematic overview)



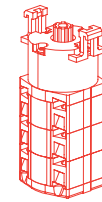
Actuator



Press frame



Bayonet flange





Switching element

page 143

Each Part Number listed below includes all the black components shown in the 3D-drawing.

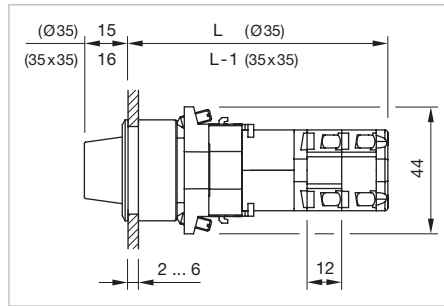
To obtain a complete unit, please select the red components from the pages shown.

Lever	Front ring	Switching positions	Part No.	Weight
 <p>Selector rotary switch actuator, short lever rounded, Front dimension Ø 35 mm</p>				
Plastic black	Aluminium black anodized	Rest = 12 o'clock	704.411.010KNI	0.056 kg
 <p>Selector rotary switch actuator, short lever rounded, Front dimension Ø 35 mm</p>				
Plastic black	Aluminium natural anodized	Rest = 9 o'clock	704.411.118KNI	0.056 kg
		Rest = 12 o'clock	704.411.018KNI	0.056 kg

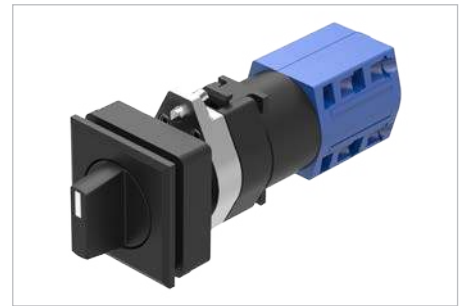
Selector rotary switch short lever, IP65

Equipment consisting of (schematic overview)

- Actuator**
- Press frame**
- Bayonet flange**
- Switching element** *page 143*



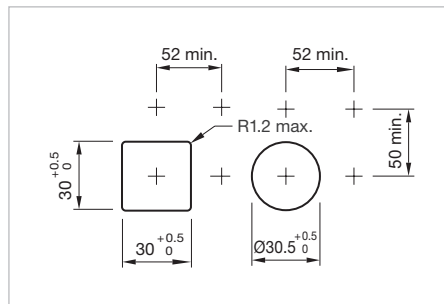
Dimensions [mm]
 $L = (\text{Anzahl Fluchten} \times 12) + 66.5 \text{ mm}$



Product can differ from the current configuration.

Additional Information



- The colour of anodized aluminium parts can vary due to technical production reasons



Mounting cut-outs [mm]

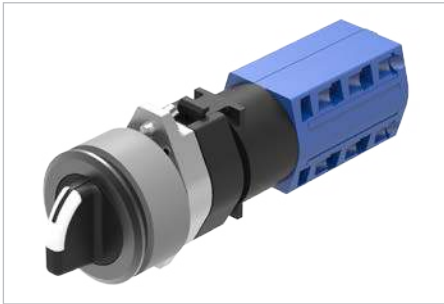
Each Part Number listed below includes all the black components shown in the 3D-drawing.

To obtain a complete unit, please select the red components from the pages shown.

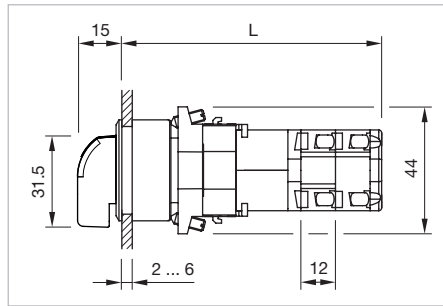
Lever	Front ring	Front bezel	Switching positions	Part No.	Weight
	Selector rotary switch actuator, short lever, Front dimension 35 x 35 mm				
Plastic black		Plastic black	Rest = 9 o'clock	704.510.100KN	0.056 kg
		Plastic silver	Rest = 9 o'clock	704.510.108KN	0.056 kg
	Selector rotary switch actuator, short lever, Front dimension Ø 35 mm				
Plastic black	Aluminium black anodized		Rest = 9 o'clock	704.411.110KN	0.056 kg
	Aluminium natural anodized		Rest = 9 o'clock	704.411.118KN	0.056 kg
	Aluminium black anodized		Rest = 12 o'clock	704.411.010KN	0.056 kg
	Aluminium natural anodized		Rest = 12 o'clock	704.411.018KN	0.056 kg

04 Flush design

Selector rotary switch long lever rounded, IP65



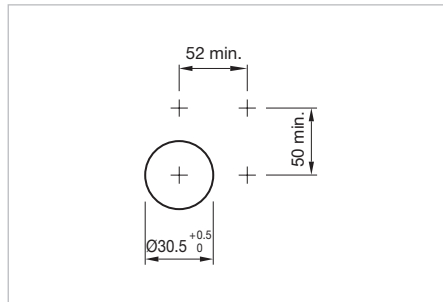
Product can differ from the current configuration.



Dimensions [mm]
 $L = (\text{Number of stages} \times 12) + 66.5 \text{ mm}$

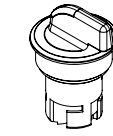
Additional Information

- The colour of anodized aluminium parts can vary due to technical production reasons
- In combination with the switching elements K&N, the selector switch can not be illuminated

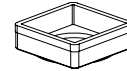


Mounting cut-outs [mm]

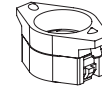
Equipment consisting of (schematic overview)



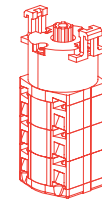
Actuator



Press frame



Bayonet flange





Switching element

page 143

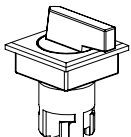
Each Part Number listed below includes all the black components shown in the 3D-drawing.

To obtain a complete unit, please select the red components from the pages shown.

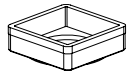
Lever	Front ring	Switching positions	Part No.	Weight
 Rotary selector switch actuator, long lever rounded, Front dimension Ø 35 mm				
Plastic black	Aluminium black anodized	Rest = 9 o'clock	704.101.110KNI	0.056 kg
 Rotary selector switch actuator, long lever rounded, Front dimension Ø 35 mm				
Plastic black	Aluminium natural anodized	Rest = 9 o'clock	704.101.118KNI	0.056 kg
		Rest = 12 o'clock	704.101.018KNI	0.056 kg

Selector rotary switch long lever, IP65

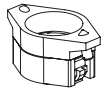
Equipment consisting of (schematic overview)



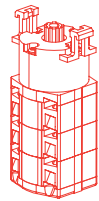
Actuator



Press frame



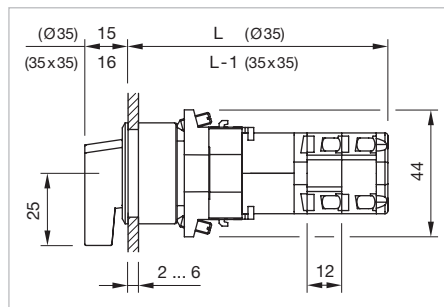
Bayonet flange



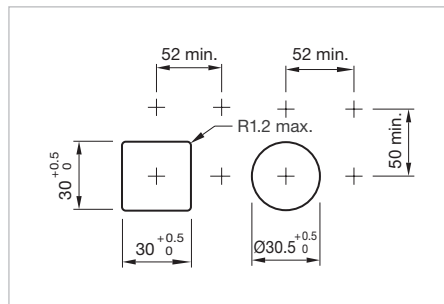
Switching element *page 143*

Each Part Number listed below includes all the black components shown in the 3D-drawing.

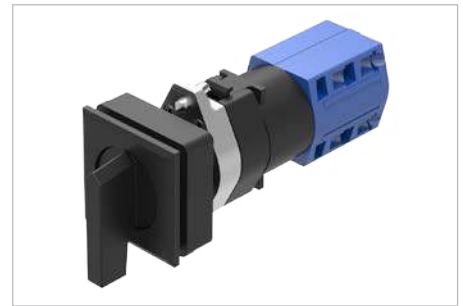
To obtain a complete unit, please select the red components from the pages shown.



Dimensions [mm]
L = (Anzahl Fluchten x 12) + 66.5 mm



Mounting cut-outs [mm]



Product can differ from the current configuration.

Additional Information

- The colour of anodized aluminium parts can vary due to technical production reasons

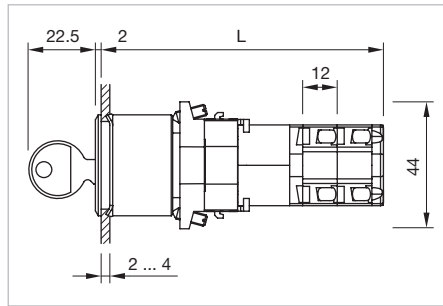
Lever	Front ring	Front bezel	Switching positions	Part No.	Weight
Rotary selector switch actuator, long lever, Front dimension 35 x 35 mm					
Plastic black		Plastic black	Rest = 9 o'clock	704.300.100KN	0.056 kg
		Plastic silver	Rest = 9 o'clock	704.300.108KN	0.056 kg
Rotary selector switch actuator, long lever, Front dimension Ø 35 mm					
Plastic black	Aluminium black anodized		Rest = 9 o'clock	704.101.110KN	0.056 kg
	Aluminium natural anodized		Rest = 9 o'clock	704.101.118KN	0.056 kg
	Aluminium natural anodized		Rest = 12 o'clock	704.101.018KN	0.056 kg

04 Flush design

Keylock rotary switch, IP65



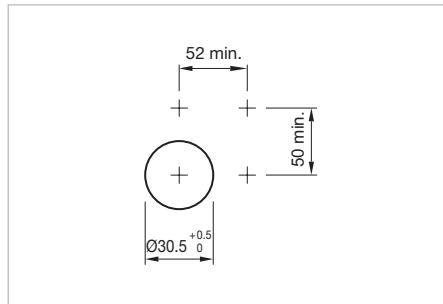
Product can differ from the current configuration.



Dimensions [mm]
 $L = (\text{Anzahl Fluchten} \times 12) + 66.5 \text{ mm}$

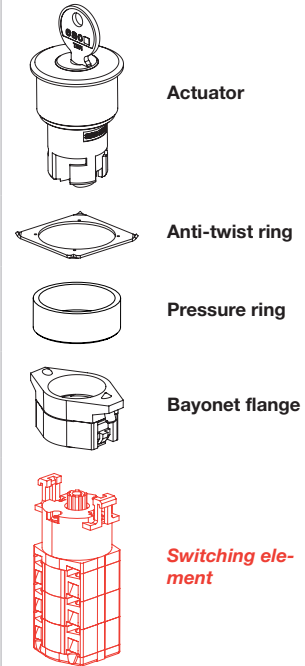
Additional Information

- Locknumbers 251, lock type Ronis
- Two keys are supplied with each key lock switch
- Further lock numbers see «Technical data»
- The colour of anodized aluminium parts can vary due to technical production reasons




Mounting cut-outs [mm]

Equipment consisting of (schematic overview)



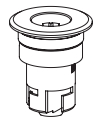
Each Part Number listed below includes all the black components shown in the 3D-drawing.

To obtain a complete unit, please select the red components from the pages shown.

Front ring	Switching action	Switching positions	Key remove	Part No.	Weight
 <p>Keylock rotary switch actuator, Front dimension Ø 35 mm</p>	Aluminium natural anodized	Rest	Rest = 12 o'clock	12 o'clock	704.123.018KN 0.12 kg
		Rest	Rest = 9 o'clock	9 o'clock	704.123.118KN 0.12 kg

Key-insert switch 2 positions, IP65, IP67

Equipment consisting of (schematic overview)



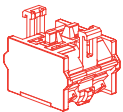
Actuator



Fixing nut



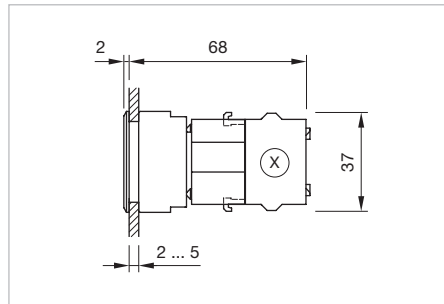
Bayonet flange



Switching element *page 138*

Each Part Number listed below includes all the black components shown in the 3D-drawing.

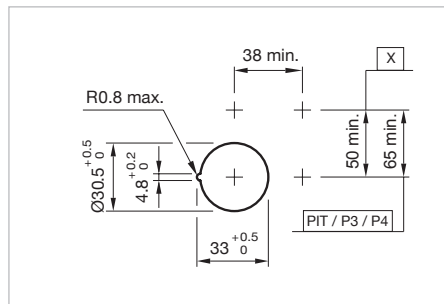
To obtain a complete unit, please select the red components from the pages shown.



Dimensions [mm]
X = Screw terminal




Product can differ from the current configuration.



Mounting cut-outs [mm]
PIT = Push-in terminal,
P3 = Plug-in terminal 6.3 x 0.8 mm,
P4 = Double plug-in terminal 6.3 x 0.8 mm,
X = Screw terminal

Additional Information

- Other terminal options from the part switching element see «Accessories»
- In the Part-No. «x» stands for not defined actuator
- Max. 3 switching element can be clipped on
- The actuator of the key insert switch is being produced according to customer specification. Please contact your local EAO Sales Office

Front ring	Switching action	Switching angle	Part No.	Weight
 <p>Key-insert switch actuator 2 positions, Front dimension Ø 38 mm</p>	A - C	C = 90°	704.101.0x28	0.130 kg
	A - B	B = 45°	704.103.0x28	0.130 kg

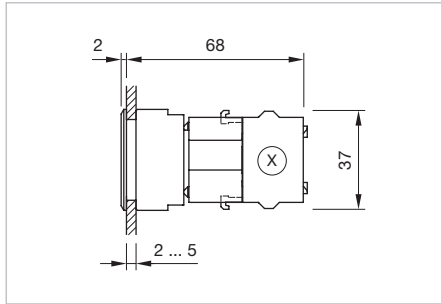
Switching action : A = Rest, B = Momentary, C = Maintain

04 Flush design

Key-insert switch 3 positions, IP65, IP67



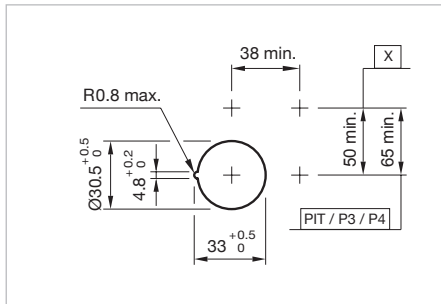
Product can differ from the current configuration.



Dimensions [mm]
X = Screw terminal

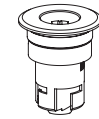
Additional Information

- Other terminal options from the part switching element see «Accessories»
- In the Part-No. «x» stands for not defined actuator
- Max. 3 switching element can be clipped on
- The actuator of the key insert switch is being produced according to customer specification. Please contact your local EAO Sales Office

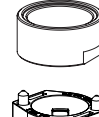


Mounting cut-outs [mm]
PIT = Push-in terminal,
P3 = Plug-in terminal 6.3 x 0.8 mm,
P4 = Double plug-in terminal 6.3 x 0.8 mm,
X = Screw terminal

Equipment consisting of (schematic overview)



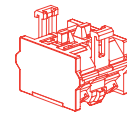
Actuator



Fixing nut



Bayonet flange




Switching element

page 138

Each Part Number listed below includes all the black components shown in the 3D-drawing.

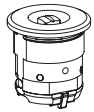
To obtain a complete unit, please select the red components from the pages shown.

Front ring	Switching action	Switching angle	Part No.	Weight
 <p>Key-insert switch actuator 3 positions, Front dimension Ø 38 mm</p>	C - A - C	C = 45° / 45°	704.093.0x28	0.130 kg
	B - A - B	B = 45° / 45°	704.095.0x28	0.130 kg
	C - A - B	C = 45°, B = 45°	704.097.0x28	0.130 kg
	B - A - C	B = 45°, C = 45°	704.099.0x28	0.130 kg

Switching action : A = Rest, B = Momentary, C = Maintain

Key-insert switch 3 positions conductor switch, IP65, IP67

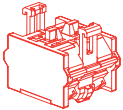
Equipment consisting of (schematic overview)



Actuator

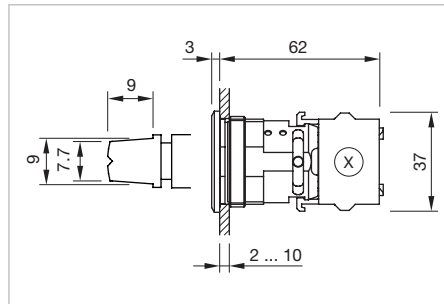


Fixing nut



Switching element

page 138



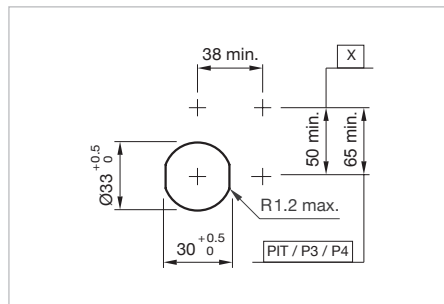
Dimensions [mm]
X = Screw terminal



Product can differ from the current configuration.

Each Part Number listed below includes all the black components shown in the 3D-drawing.


To obtain a complete unit, please select the red components from the pages shown.



Mounting cut-outs [mm]
PIT = Push-in terminal,
P3 = Plug-in terminal 6.3 x 0.8 mm,
P4 = Double plug-in terminal 6.3 x 0.8 mm,
X = Screw terminal

Additional Information

- Other terminal options from the part switching element see «Accessories»
- Max. 1 switching element can be clipped on
- The actuator of the key insert switch is being produced according to customer specification. Please contact your local EAO Sales Office
- Torque clockwise min. 17 Ncm
- Torque anti-clockwise min. 35 Ncm

Product attribute	Front ring	Switching action	Switching angle	Part No.	Weight
					
Key-insert switch actuator 3 positions conductor switch, Front dimension Ø 38 mm					
RIC-key 9x9 mm, EN 14752	Stainless-steel natural	B - A - B	B = 45° / 45°	704.095.0T28	0.190 kg

Switching action: A = Rest, B = Momentary

04 Flush design

Lever switch, IP 54



Product can differ from the current configuration.

Additional Information

- For all units are the levers 02 (black), 03, 04, 05, 06 (yellow) 13, 14, 15 and 16 available (levers 6 + 16 according UIC 612). Special levers on request
- Front bezel can also be delivered in black version
- The colour of anodized aluminium parts can vary due to technical production reasons
- Functions and properties, including lever style and switching positions of the lever switch are being produced according to customer specifications. Please contact your local EAO Sales Office

S41: Cage clamp 1.0 ... 1.5 mm²

S42: JST connector max. 0.2 mm² (counter plug is supplied)

S43: Plug-in terminal 6.3 x 0.8 mm

S44: Cage clamp 1.0 ... 1.5 mm²


S45: Screw terminal or plug-in terminal 6.3 x 0.8 mm

Micro-switch contacts

The micro-switch is available with a silver contact or a gold plated silver contact.

Contact without positive opening operation is used in the lever switches S41, S42 and S43. Each lever switch includes a maximum of five micro-switches.

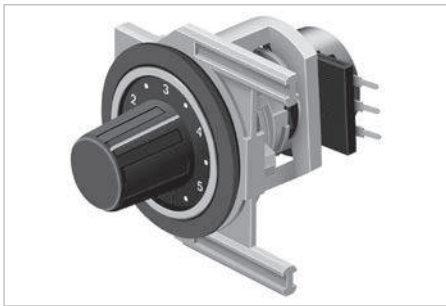
Contact with positive opening operation is used in the lever switches S44 and S45. Each lever switch includes a maximum of four micro-switches.

Product attribute	Lever	Front ring	Switching system	Contacts	Switching action	Part No.	Weight
 Lever switch, Front dimension Ø 40 mm							
Type S41, 1 contact element	Plastic black	Aluminium natural anodized	Snap-action switching element	1 NC / 1 NO	C / B	704.151.XXX	0.23 kg
Type S42, 1 contact element	Plastic black	Aluminium natural anodized	Snap-action switching element	1 NC / 1 NO	C / B	704.152.XXX	0.23 kg
Type S43, 1 contact element	Plastic black	Aluminium natural anodized	Snap-action switching element	1 NC / 1 NO	C / B	704.153.XXX	0.23 kg
Type S44, 1 contact element positive opened	Plastic black	Aluminium natural anodized	Snap-action switching element	1 NC / 1 NO	C / B	704.154.XXX	0.23 kg
Type S45, 1 contact element positive opened	Plastic black	Aluminium natural anodized	Snap-action switching element	1 NC / 1 NO	C / B	704.155.XXX	0.23 kg

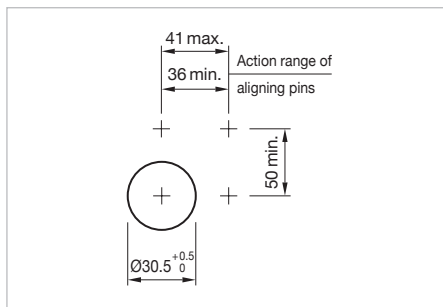
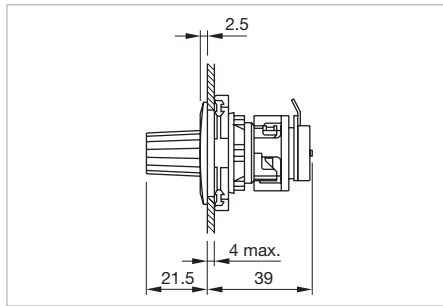
Contacts: NC = Normally closed, NO = Normally open

Switching action : B = Momentary, C = Maintain

Potentiometer, IP 65



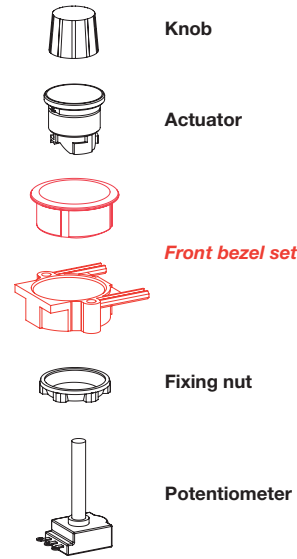
Product can differ from the current configuration.



Additional Information


- For front dimensions 36 x 36 mm, Ø 36 mm
- Resistor 10 kOhm / linear, series E3
- Power 0.4 W
- Slewing range 300°

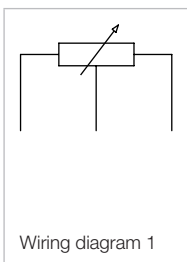
Equipment consisting of (schematic overview)



Each Part Number listed below includes all the black components shown in the 3D-drawing.

To obtain a complete unit, please select the red components from the page s shown.

Product attribute	Front ring	Terminal	Part No.	Wiring diagram	Weight
 Potentiometer	Plastic matt chrome	Solder	44-745.20-10K1	1	0.030 kg
	Plastic matt grey	Solder	44-745.60-10K1	1	0.030 kg
without potentiometer, specification for potentiometer: Shaft = length 32 mm, shaft end = Form A, Ø = 6 mm	Plastic matt chrome		44-744.20		0.016 kg
	Plastic matt grey		44-744.60		0.016 kg

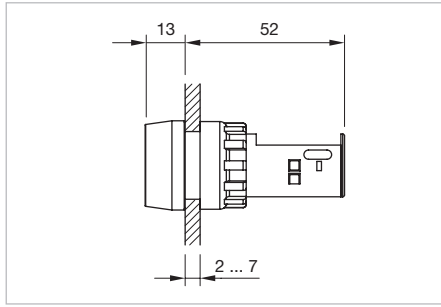


04 Raised design

Indicator full-face illumination compact, IP65



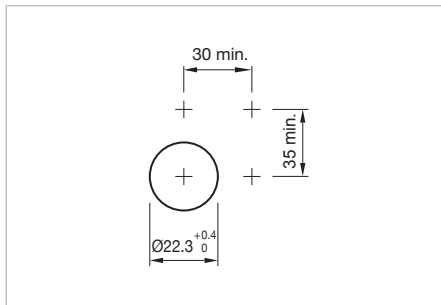
Product can differ from the current configuration.



Dimensions [mm]

Additional Information

- Housing plastic grey



Mounting cut-outs [mm]

Equipment consisting of (schematic overview)



Lens cap

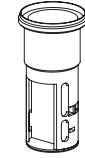


Marking cap



LED

page 150




Actuator

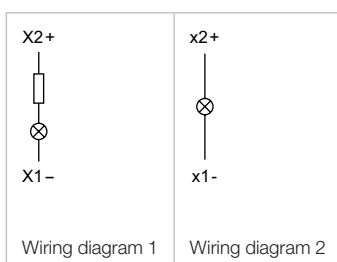


Fixing nut

Each Part Number listed below includes all the black components shown in the 3D-drawing.

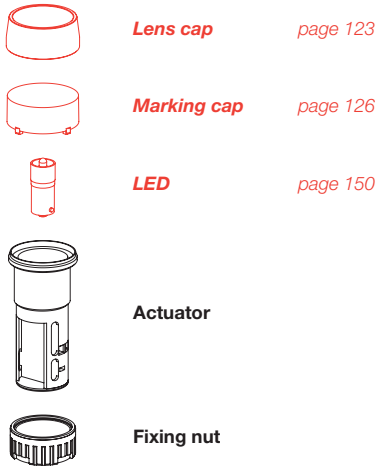
To obtain a complete unit, please select the red components from the pages shown.

Product attribute	Marking cap	Lens cap	Terminal	Part No.	Wiring diagram	Weight
 Filament lamp 130 V, max. 2.6 W with integrated series resistor 230/130 V	white translucent	Plastic red translucent	Screw	704.022.2	1	0.025 kg
		Plastic yellow translucent	Screw	704.022.4	1	0.025 kg
		Plastic green translucent	Screw	704.022.5	1	0.025 kg
		Plastic blue translucent	Screw	704.022.6	1	0.025 kg
		Plastic colourless translucent	Screw	704.022.7	1	0.025 kg
Filament lamp max. 2.6 W or LED	white translucent	Plastic red translucent	Screw	704.020.2	2	0.020 kg
		Plastic yellow translucent	Screw	704.020.4	2	0.020 kg
		Plastic green translucent	Screw	704.020.5	2	0.020 kg
		Plastic blue translucent	Screw	704.020.6	2	0.020 kg
		Plastic colourless translucent	Screw	704.020.7	2	0.020 kg
	colourless transparent ripped	Plastic red transparent	Screw	704.021.2	2	0.020 kg
		Plastic yellow transparent	Screw	704.021.4	2	0.020 kg
		Plastic green transparent	Screw	704.021.5	2	0.020 kg
		Plastic blue transparent	Screw	704.021.6	2	0.020 kg
		Plastic colourless transparent	Screw	704.021.7	2	0.020 kg



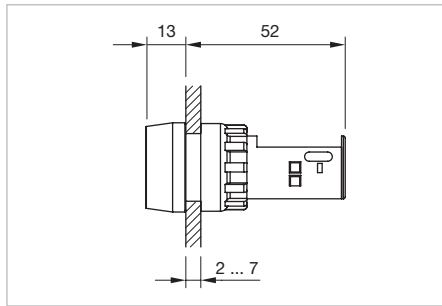
Indicator full face illumination compact round, IP65

Equipment consisting of (schematic overview)

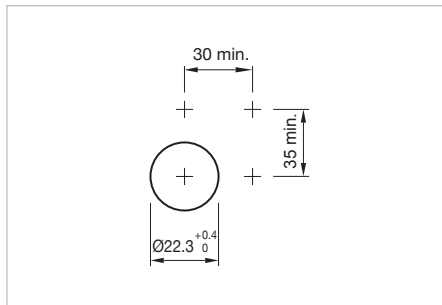


Each Part Number listed below includes all the black components shown in the 3D-drawing.

To obtain a complete unit, please select the red components from the pages shown.



Dimensions [mm]




Mounting cut-outs [mm]

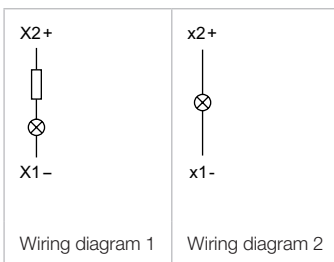


Product can differ from the current configuration.

Additional Information

- For front dimension Ø 29 mm
- Housing plastic grey

Product attribute	Part No.	Wiring diagram	Weight
			
Indicator actuator full face illumination compact			
with series resistor for 220/240 V and incandescent lamp 130 V, 20 mA	704.642.2	1	0.009 kg
without built-in series resistor	704.642.0	1	0.006 kg
with series resistor for 220/240 V and filament lamp 130 V, 20 mA	704.642.1	2	0.020 kg

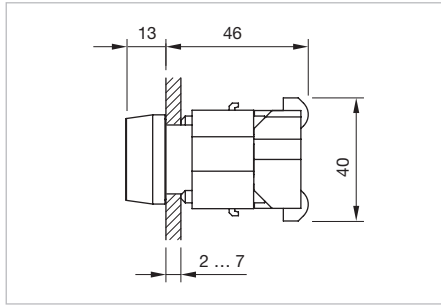


04 Raised design

Indicator full face illumination, IP65



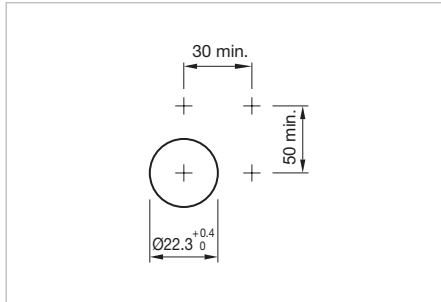
Product can differ from the current configuration.



Dimensions [mm]

Additional Information

- Housing plastic grey



Mounting cut-outs [mm]

Equipment consisting of (schematic overview)



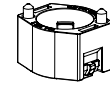
Lens cap



Marking cap



Actuator

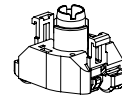


Bayonet flange



LED


page 150




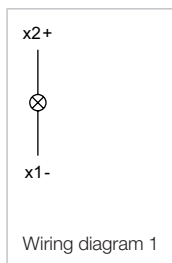
Lamp block

Each Part Number listed below includes all the black components shown in the 3D-drawing.

To obtain a complete unit, please select the red components from the pages shown.

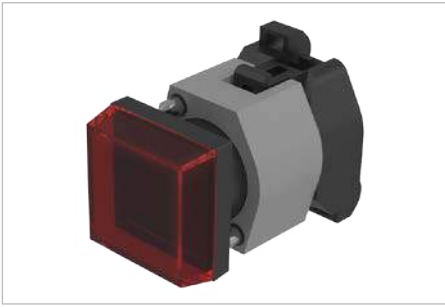
Product attribute	Marking cap	Front bezel	Lens cap	Terminal	Part No.	Wiring diagram	Weight
	white translucent	Plastic grey	Plastic red	Screw	704.200.2	1	0.050 kg
			Plastic yellow	Screw	704.200.4	1	0.050 kg
			Plastic green	Screw	704.200.5	1	0.050 kg
			Plastic blue	Screw	704.200.6	1	0.050 kg
			Plastic colourless	Screw	704.200.7	1	0.050 kg
		Plastic black	Plastic red	Screw	704.199.2	1	0.050 kg
			Plastic yellow	Screw	704.199.4	1	0.050 kg
			Plastic green	Screw	704.199.5	1	0.050 kg
			Plastic colourless	Screw	704.199.7	1	0.050 kg
			Indicator actuator full-face illumination, Front dimension 30 x 30 mm				

Product attribute	Marking cap	Front bezel	Lens cap	Terminal	Part No.	Wiring diagram	Weight
 <p>Indicator actuator full-face illumination, Front dimension Ø 29 mm</p>							
Filament lamp or LED	white translucent		Plastic red	Screw	704.000.2	1	0.050 kg
			Plastic yellow	Screw	704.000.4	1	0.050 kg
			Plastic green	Screw	704.000.5	1	0.050 kg
			Plastic blue	Screw	704.000.6	1	0.050 kg
			Plastic colourless	Screw	704.000.7	1	0.050 kg
	colourless transparent ripped		Plastic red	Screw	704.001.2	1	0.050 kg
			Plastic yellow	Screw	704.001.4	1	0.050 kg
			Plastic green	Screw	704.001.5	1	0.050 kg
			Plastic blue	Screw	704.001.6	1	0.050 kg
			Plastic colourless	Screw	704.001.7	1	0.050 kg

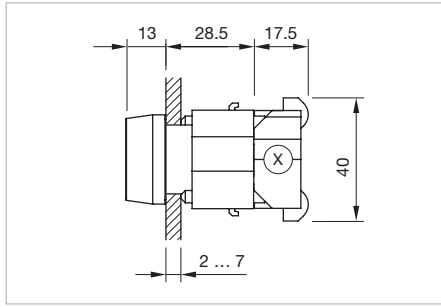


04 Raised design

Indicator full face illumination square, IP65



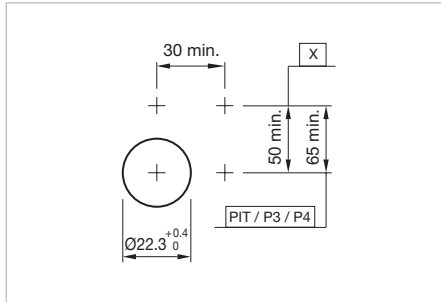
Product can differ from the current configuration.



Dimensions [mm]
X = Screw terminal

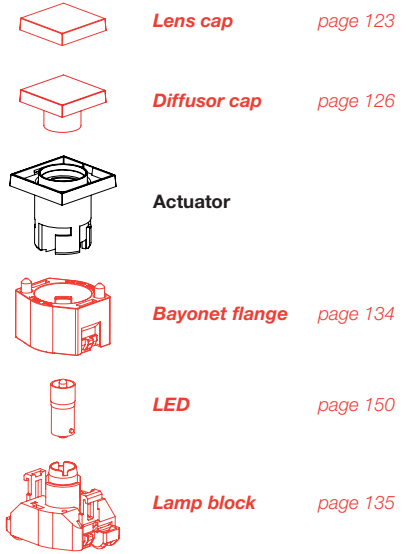
Additional Information

- For front dimension 30 x 30 mm
- Housing plastic grey
- Other terminal options from the part lamp block see «Accessories»




Mounting cut-outs [mm]
PIT = Push-in terminal,
P3 = Plug-in terminal 6.3 x 0.8 mm,
P4 = Double plug-in terminal 6.3 x 0.8 mm,
X = Screw terminal

Equipment consisting of (schematic overview)






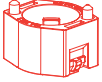

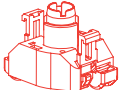
Each Part Number listed below includes all the black components shown in the 3D-drawing.

To obtain a complete unit, please select the red components from the pages shown.

Part No.	Weight
 <p>Indicator actuator full face illumination square</p>	
704.730.0	0.005 kg
704.730.1	0.005 kg

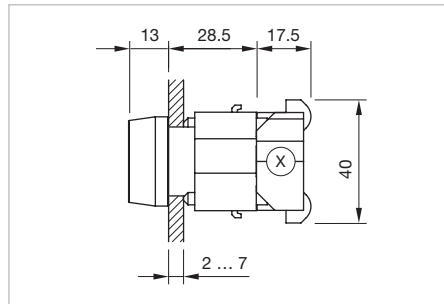
Indicator full face illumination round, IP65

Equipment consisting of (schematic overview)

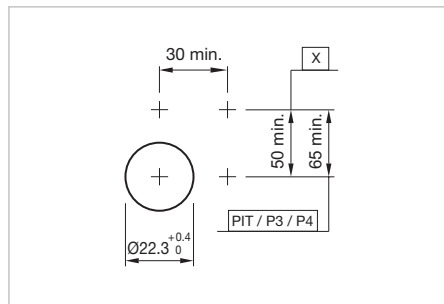
	Lens cap	page 123
	Marking cap	page 126
	Actuator	
	Bayonet flange	page 134
	LED	page 150
	Lamp block	page 135

Each Part Number listed below includes all the black components shown in the 3D-drawing.

To obtain a complete unit, please select the red components from the pages shown.



Dimensions [mm]
X = Screw terminal




Mounting cut-outs [mm]
PIT = Push-in terminal,
P3 = Plug-in terminal 6.3 x 0.8 mm,
P4 = Double plug-in terminal 6.3 x 0.8 mm,
X = Screw terminal



Product can differ from the current configuration.

Additional Information

- For front dimension Ø 29 mm
- Housing plastic grey
- Other terminal options from the part lamp block see «Accessories»

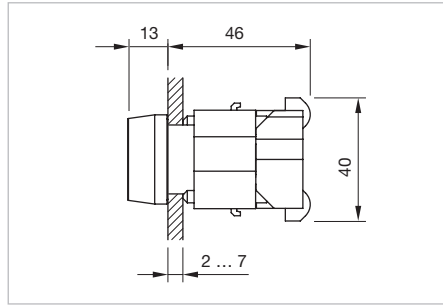
Part No.		Weight
	Indicator actuator full face illumination round	
704.630.1		0.005 kg

04 Raised design

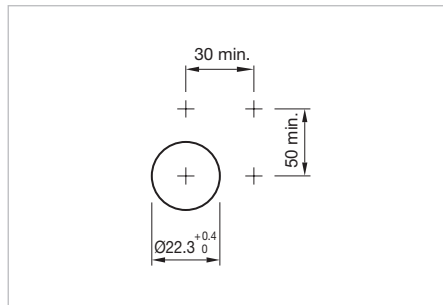
Indicator front illumination, IP65



Product can differ from the current configuration.

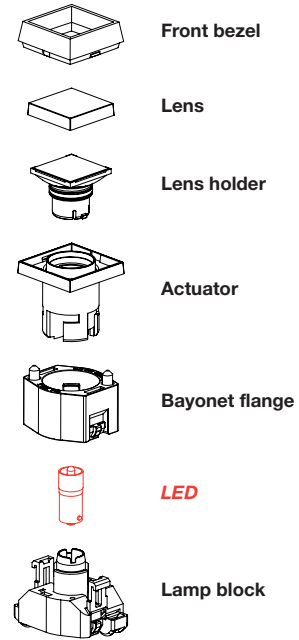


Dimensions [mm]




Mounting cut-outs [mm]


Equipment consisting of (schematic overview)

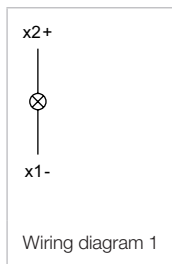


Each Part Number listed below includes all the black components shown in the 3D-drawing.

To obtain a complete unit, please select the red components from the pages shown.

Product attribute	Marking plate	Housing	Front ring	Front bezel	Lens	Terminal	Part No.	Wiring diagram	Weight
 <p style="text-align: center;">Indicator actuator front illumination, Front dimension 30 x 30 mm</p>									
Filament lamp or LED	white translucent	Plastic black		Plastic grey	Plastic red	Screw	704.202.2	1	0.050 kg
					Plastic yellow	Screw	704.202.4	1	0.050 kg
					Plastic green	Screw	704.202.5	1	0.050 kg
					Plastic blue	Screw	704.202.6	1	0.050 kg
					Plastic colourless	Screw	704.202.7	1	0.050 kg
				Plastic black	Plastic red	Screw	704.206.2	1	0.050 kg
					Plastic yellow	Screw	704.206.4	1	0.050 kg
					Plastic green	Screw	704.206.5	1	0.050 kg
					Plastic blue	Screw	704.206.6	1	0.050 kg
					Plastic colourless	Screw	704.206.7	1	0.050 kg
	colourless transparent	Plastic black		Plastic grey	Plastic red	Screw	704.203.2	1	0.050 kg
					Plastic yellow	Screw	704.203.4	1	0.050 kg
					Plastic green	Screw	704.203.5	1	0.050 kg
					Plastic blue	Screw	704.203.6	1	0.050 kg
					Plastic colourless	Screw	704.203.7	1	0.050 kg
				Plastic black	Plastic green	Screw	704.207.5	1	0.050 kg
					Plastic blue	Screw	704.207.6	1	0.050 kg

Product attribute	Marking plate	Housing	Front ring	Front bezel	Lens	Terminal	Part No.	Wiring diagram	Weight	
 <p>Indicator actuator front illumination, Front dimension Ø 29 mm</p>										
Filament lamp or LED	white translucent	Plastic grey	Plastic grey		Plastic red	Screw	704.002.2	1	0.050 kg	
					Plastic yellow	Screw	704.002.4	1	0.050 kg	
					Plastic green	Screw	704.002.5	1	0.050 kg	
					Plastic blue	Screw	704.002.6	1	0.050 kg	
					Plastic colourless	Screw	704.002.7	1	0.050 kg	
	colourless transparent ripped	Plastic grey	Plastic grey	Plastic black		Plastic red	Screw	704.006.2	1	0.050 kg
						Plastic yellow	Screw	704.006.4	1	0.050 kg
						Plastic green	Screw	704.006.5	1	0.050 kg
						Plastic blue	Screw	704.006.6	1	0.050 kg
						Plastic colourless	Screw	704.006.7	1	0.050 kg
	colourless transparent ripped	Plastic grey	Plastic grey		Plastic red	Screw	704.003.2	1	0.050 kg	
					Plastic yellow	Screw	704.003.4	1	0.050 kg	
					Plastic green	Screw	704.003.5	1	0.050 kg	
					Plastic blue	Screw	704.003.6	1	0.050 kg	
					Plastic colourless	Screw	704.003.7	1	0.050 kg	

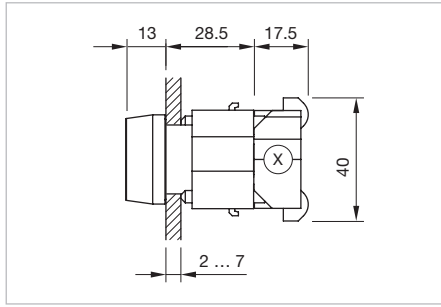


04 Raised design

Indicator front illumination square, IP65



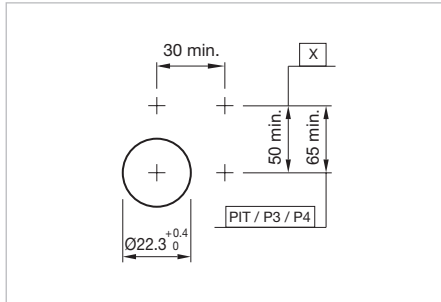
Product can differ from the current configuration.



Dimensions [mm]
X = Screw terminal

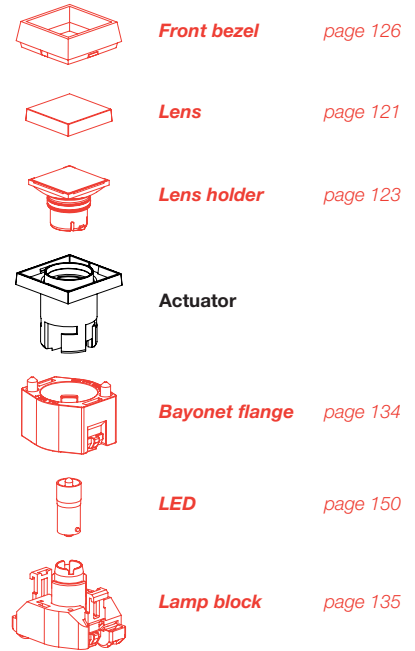
Additional Information

- For front dimension 30 x 30 mm
- Other terminal options from the part lamp block see «Accessories»




Mounting cut-outs [mm]
PIT = Push-in terminal,
P3 = Plug-in terminal 6.3 x 0.8 mm,
P4 = Double plug-in terminal 6.3 x 0.8 mm,
X = Screw terminal

Equipment consisting of (schematic overview)







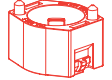
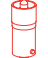
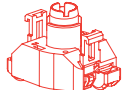
Each Part Number listed below includes all the black components shown in the 3D-drawing.

To obtain a complete unit, please select the red components from the pages shown.

Housing	Part No.	Weight
		
Indicator actuator front illumination square		
Plastic black	704.733.0	0.020 kg
Plastic grey	704.733.1	0.020 kg

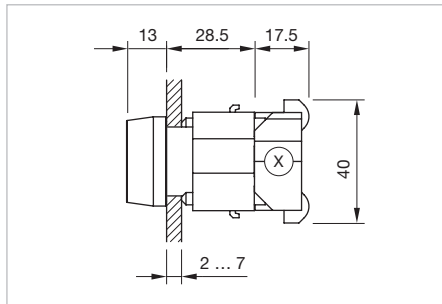
Indicator front illumination round, IP65

Equipment consisting of (schematic overview)

-  **Front ring** *page 127*
-  **Lens** *page 121*
-  **Marking plate** *page 124*
-  **Actuator**
-  **Bayonet flange** *page 134*
-  **LED** *page 150*
-  **Lamp block** *page 135*

Each Part Number listed below includes all the black components shown in the 3D-drawing.

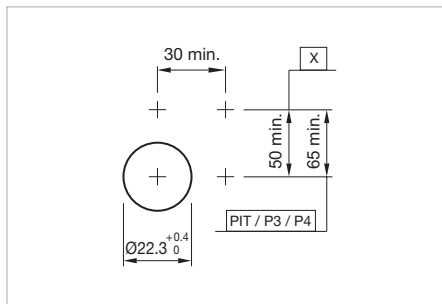
To obtain a complete unit, please select the red components from the pages shown.



Dimensions [mm]
X = Screw terminal




Product can differ from the current configuration.



Mounting cut-outs [mm]
PIT = Push-in terminal,
P3 = Plug-in terminal 6.3 x 0.8 mm,
P4 = Double plug-in terminal 6.3 x 0.8 mm,
X = Screw terminal

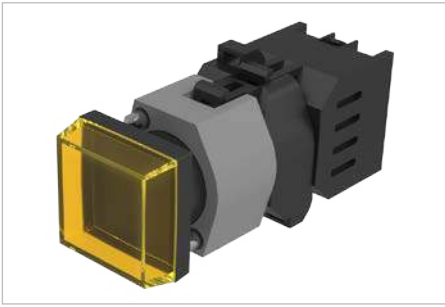
Additional Information

- For front dimension Ø 29 mm
- Lens flat or raised possible; equal choose marking plate or marking cap
- Housing plastic grey
- Other terminal options from the part lamp block see «Accessories»

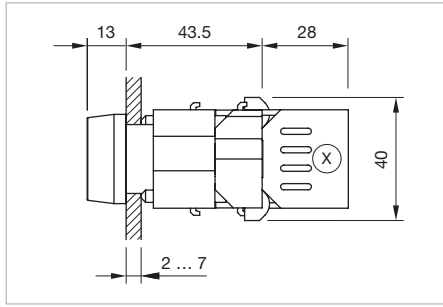
Part No.	Weight
 <p>Indicator actuator front illumination round</p>	
704.633.1	0.020 kg

04 Raised design

Flasher full face illumination, IP65



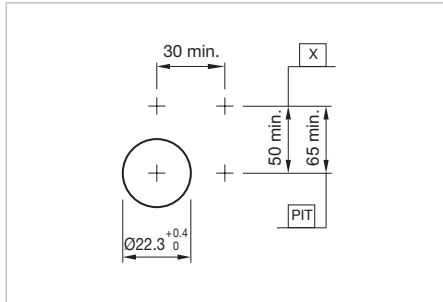
Product can differ from the current configuration.



Dimensions [mm]
X = Screw terminal

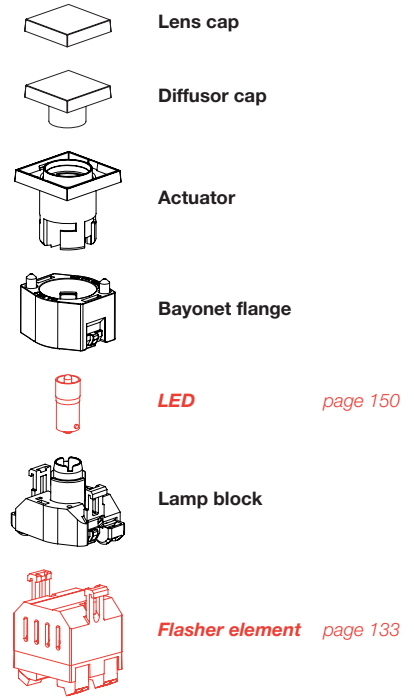
Additional Information

- The lamp block will be delivered with screw terminal
- Other terminal options of the part flasher element see «Accessories»




Mounting cut-outs [mm]
PIT = Push-in terminal,
X = Screw terminal


Equipment consisting of (schematic overview)

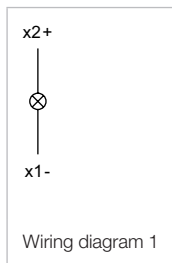


Each Part Number listed below includes all the black components shown in the 3D-drawing.

To obtain a complete unit, please select the red components from the pages shown.

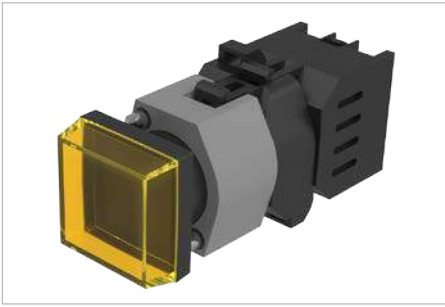
Product attribute	Diffusor cap	Housing	Front bezel	Lens cap	Part No.	Wiring diagram	Weight
 <p>Flasher actuator full face illumination, Front dimension 30 x 30 mm</p>	white translucent	Plastic black	Plastic grey	Plastic red	704.200.2	1	0.050 kg
				Plastic yellow	704.200.4	1	0.050 kg
				Plastic green	704.200.5	1	0.050 kg
				Plastic blue	704.200.6	1	0.050 kg
				Plastic colourless	704.200.7	1	0.050 kg
			Plastic black	Plastic red	704.199.2	1	0.050 kg
				Plastic yellow	704.199.4	1	0.050 kg
				Plastic green	704.199.5	1	0.050 kg
				Plastic colourless	704.199.7	1	0.050 kg
				Filament lamp or LED			

Product attribute	Diffusor cap	Housing	Front bezel	Lens cap	Part No.	Wiring diagram	Weight
 <p>Flasher actuator full face illumination, Front dimension Ø 29 mm</p>							
Filament lamp or LED	white translucent	Plastic grey		Plastic red	704.000.2	1	0.050 kg
				Plastic yellow	704.000.4	1	0.050 kg
				Plastic green	704.000.5	1	0.050 kg
				Plastic blue	704.000.6	1	0.050 kg
				Plastic colourless	704.000.7	1	0.050 kg
	colourless transparent ripped	Plastic grey		Plastic red	704.001.2	1	0.050 kg
				Plastic yellow	704.001.4	1	0.050 kg
				Plastic green	704.001.5	1	0.050 kg
				Plastic blue	704.001.6	1	0.050 kg
				Plastic colourless	704.001.7	1	0.050 kg

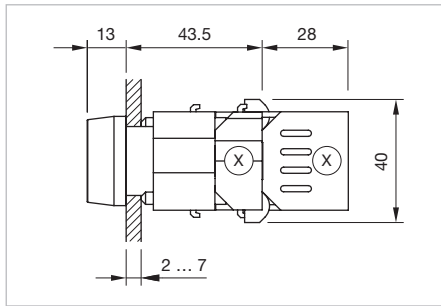


04 Raised design

Flasher full face illumination square, IP65



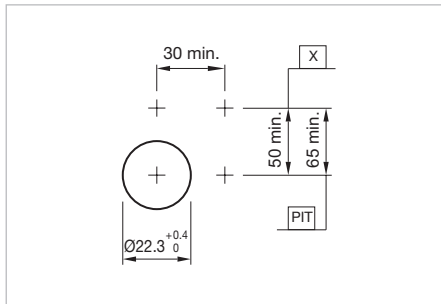
Product can differ from the current configuration.



Dimensions [mm]
X = Screw terminal

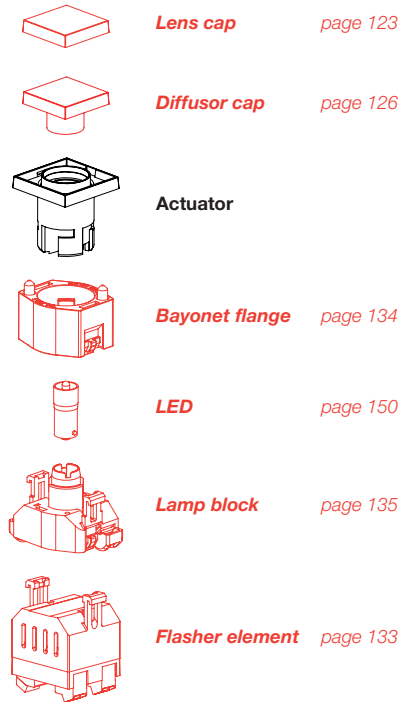
Additional Information

- For front dimension 30 x 30 mm
- Other terminal options from the part flasher element and lamp block see «Accessories»



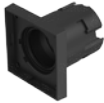
Mounting cut-outs [mm]
PIT = Push-in terminal,
X = Screw terminal

Equipment consisting of (schematic overview)






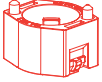

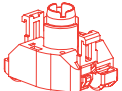
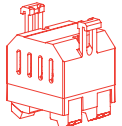
Each Part Number listed below includes all the black components shown in the 3D-drawing.

To obtain a complete unit, please select the red components from the pages shown.

Housing	Part No.	Weight
 <p>Flasher actuator full face illumination square</p>	704.730.0	0.050 kg
	704.730.1	0.050 kg

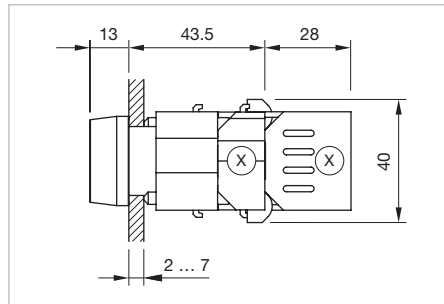
Flasher full face illumination round, IP65

Equipment consisting of (schematic overview)

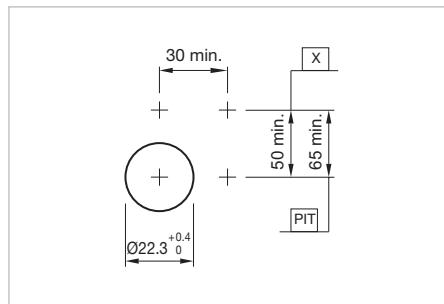
	Lens cap	page 123
	Marking cap	page 126
	Actuator	
	Bayonet flange	page 134
	LED	page 150
	Lamp block	page 135
	Flasher element	page 133

Each Part Number listed below includes all the black components shown in the 3D-drawing.

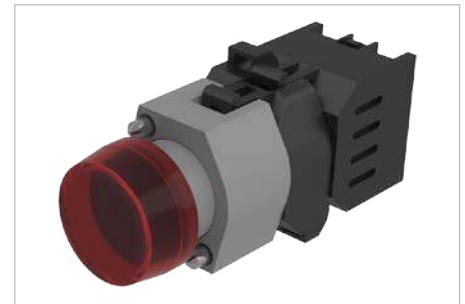
To obtain a complete unit, please select the red components from the pages shown.



Dimensions [mm]
X = Screw terminal




Mounting cut-outs [mm]
PIT = Push-in terminal,
X = Screw terminal



Product can differ from the current configuration.

Additional Information

- For front dimension $\varnothing 29$ mm
- Housing plastic grey
- Other terminal options from the part flasher element and lamp block see «Accessories»

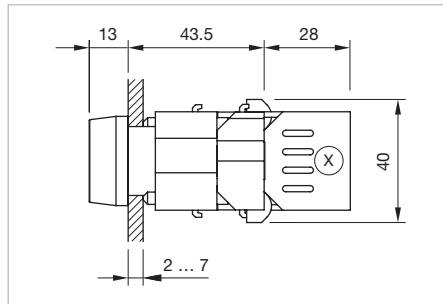
Part No.	Weight
 <p>Flasher actuator full face illumination round</p>	
704.630.1	0.020 kg

04 Raised design

Flasher front illumination, IP65



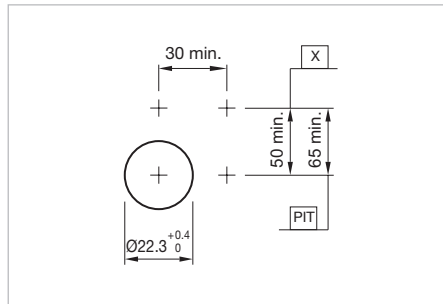
Product can differ from the current configuration.



Dimensions [mm]
X = Screw terminal

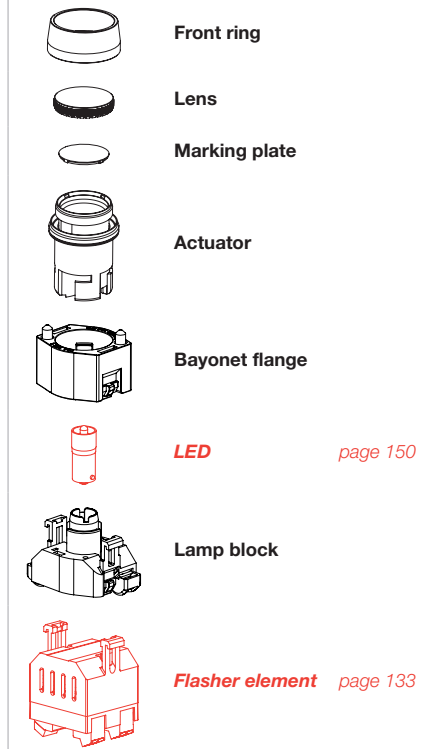
Additional Information

- The lamp block will be delivered with screw terminal
- Other terminal options of the part flasher element see «Accessories»



Mounting cut-outs [mm]
PIT = Push-in terminal,
X = Screw terminal

Equipment consisting of (schematic overview)



Each Part Number listed below includes all the black components shown in the 3D-drawing.

To obtain a complete unit, please select the red components from the pages shown.

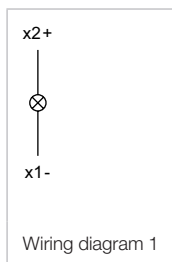
Product attribute	Marking plate	Housing	Front ring	Front bezel	Lens	Part No.	Wiring diagram	Weight	
<p>Flasher actuator front illumination, Front dimension 30 x 30 mm</p>									
Filament lamp or LED	white translucent	Plastic black		Plastic grey	Plastic red	704.202.2	1	0.050 kg	
					Plastic yellow	704.202.4	1	0.050 kg	
					Plastic green	704.202.5	1	0.050 kg	
					Plastic blue	704.202.6	1	0.050 kg	
					Plastic colourless	704.202.7	1	0.050 kg	
					Plastic black	Plastic red	704.206.2	1	0.050 kg
						Plastic yellow	704.206.4	1	0.050 kg
				Plastic green		704.206.5	1	0.050 kg	
				Plastic blue		704.206.6	1	0.050 kg	
				Plastic colourless		704.206.7	1	0.050 kg	

Product attribute	Marking plate	Housing	Front ring	Front bezel	Lens	Part No.	Wiring diagram	Weight
	colourless transparent	Plastic black		Plastic grey	Plastic red	704.203.2	1	0.050 kg
					Plastic yellow	704.203.4	1	0.050 kg
					Plastic green	704.203.5	1	0.050 kg
					Plastic blue	704.203.6	1	0.050 kg
					Plastic colourless	704.203.7	1	0.050 kg
				Plastic black	Plastic green	704.207.5	1	0.050 kg
				Plastic blue	704.207.6	1	0.050 kg	



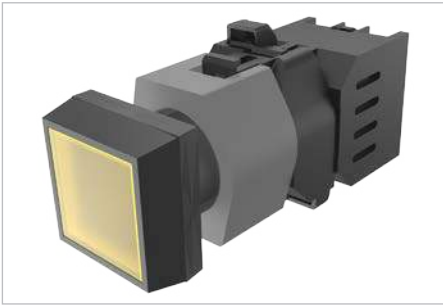
Flasher actuator front illumination, Front dimension Ø 29 mm

Filament lamp or LED	white translucent	Plastic grey	Plastic grey		Plastic red	704.002.2	1	0.050 kg
					Plastic yellow	704.002.4	1	0.050 kg
					Plastic green	704.002.5	1	0.050 kg
					Plastic blue	704.002.6	1	0.050 kg
					Plastic colourless	704.002.7	1	0.050 kg
			Plastic black		Plastic red	704.006.2	1	0.050 kg
					Plastic yellow	704.006.4	1	0.050 kg
					Plastic green	704.006.5	1	0.050 kg
					Plastic blue	704.006.6	1	0.050 kg
					Plastic colourless	704.006.7	1	0.050 kg
	colourless transparent ripped	Plastic grey	Plastic grey		Plastic red	704.003.2	1	0.050 kg
					Plastic yellow	704.003.4	1	0.050 kg
					Plastic green	704.003.5	1	0.050 kg
					Plastic blue	704.003.6	1	0.050 kg
					Plastic colourless	704.003.7	1	0.050 kg

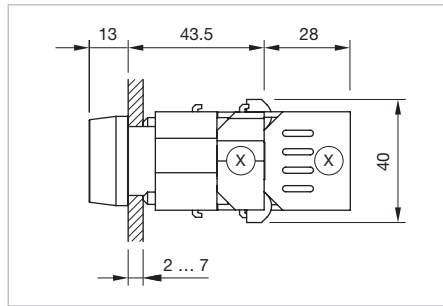


04 Raised design

Flasher front illumination square, IP65



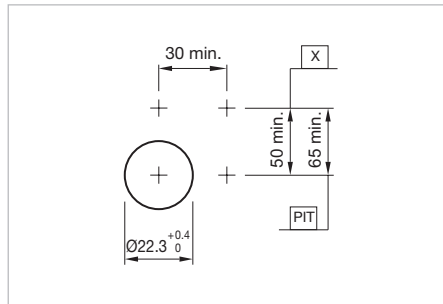
Product can differ from the current configuration.



Dimensions [mm]
X = Screw terminal

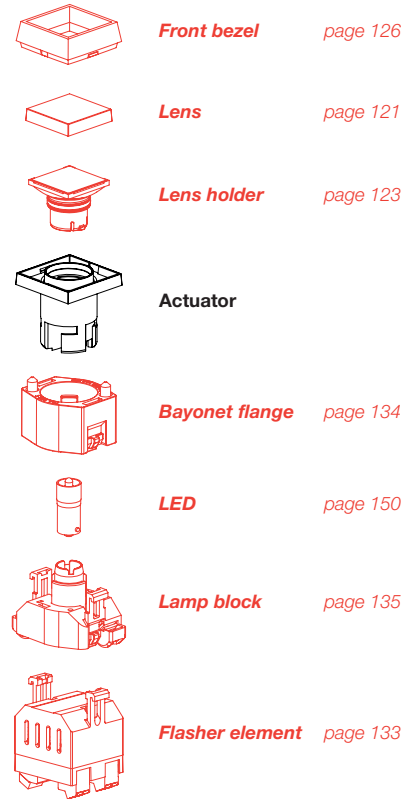
Additional Information

- For front dimension 30 x 30 mm
- Other terminal options from the part flasher element and lamp block see «Accessories»




Mounting cut-outs [mm]
PIT = Push-in terminal,
X = Screw terminal

Equipment consisting of (schematic overview)







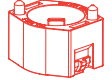
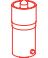
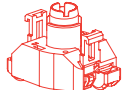
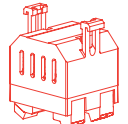
Each Part Number listed below includes all the black components shown in the 3D-drawing.

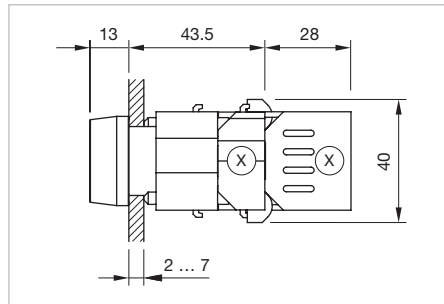
To obtain a complete unit, please select the red components from the pages shown.

Housing	Part No.	Weight
 <p>Flasher front illumination square</p>		
Plastic black	704.733.0	0.020 kg
Plastic grey	704.733.1	0.020 kg

Flasher front illumination round, IP65

Equipment consisting of (schematic overview)

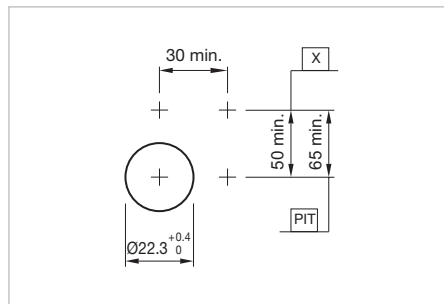
	Front ring	page 130
	Lens	page 123
	Marking plate	page 127
	Actuator	
	Bayonet flange	page 136
	LED	page 151
	Lamp block	page 137
	Flasher element	page 135



Dimensions [mm]
X = Screw terminal



Product can differ from the current configuration.




Mounting cut-outs [mm]
PIT = Push-in terminal,
X = Screw terminal

Additional Information

- For front dimension $\varnothing 29$ mm
- Lens flat or raised possible; equal choose marking plate or marking cap
- Housing plastic grey
- Other terminal options from the part flasher element and lamp block see «Accessories»

Each Part Number listed below includes all the black components shown in the 3D-drawing.

To obtain a complete unit, please select the red components from the pages shown.

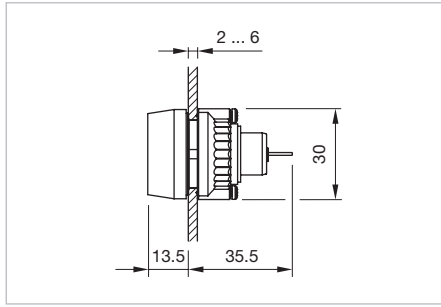
Part No.	Weight
 <p>Flasher actuator front illumination round</p>	
704.633.1	0.020 kg

04 Raised design

Buzzer, IP65

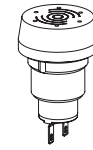


Product can differ from the current configuration.



Dimensions [mm]

Equipment consisting of (schematic overview)



Buzzer

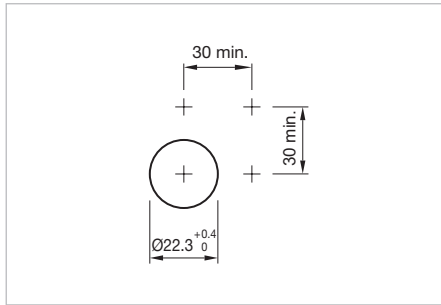


Fixing nut

Each Part Number listed below includes all the black components shown in the 3D-drawing.

Additional Information

- Further information see «Technical data»

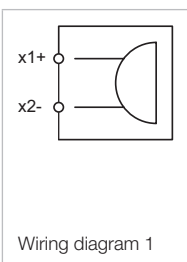


Mounting cut-outs [mm]

Operating voltage	Front cap	Terminal	Part No.	Wiring diagram	Weight
24 VDC	Plastic black	Solder 2.8 x 0.5 mm	14-810.002	1	0.016 kg
	Brass nickel-plated	Solder 2.8 x 0.5 mm	14-810.902	1	0.016 kg

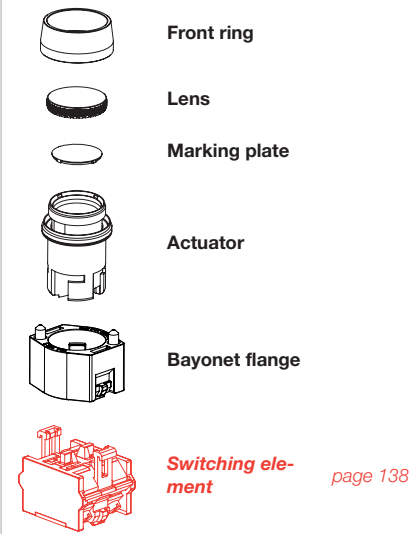


Buzzer, Front dimension Ø 29 mm



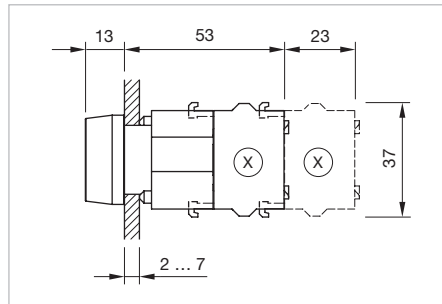
Pushbutton

Equipment consisting of (schematic overview)

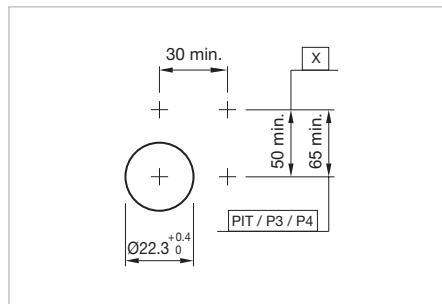


Each Part Number listed below includes all the black components shown in the 3D-drawing.

To obtain a complete unit, please select the red components from the pages shown.



Dimensions [mm]
X = Screw terminal



Mounting cut-outs [mm]
PIT = Push-in terminal,
P3 = Plug-in terminal 6.3 x 0.8 mm,
P4 = Double plug-in terminal 6.3 x 0.8 mm,
X = Screw terminal



Product can differ from the current configuration.

Additional Information

- Other terminal options from the part switching element see «Accessories»
- The colour of anodized aluminium parts can vary due to technical production reasons
- Frontring with protective cover to be mounted with a torque of 40 Ncm onto actuator
- Max. 3 switching elements can be clipped on

Front protection	Front ring	Front bezel	Lens	Switching action	Part No.	Wiring diagram	Weight
Pushbutton actuator, Front dimension 30 x 30 mm							
IP65		Plastic grey	Plastic black	B	704.210.0	1	0.040 kg
			Plastic red	B	704.210.2	1	0.040 kg
			Plastic yellow	B	704.210.4	1	0.040 kg
			Plastic green	B	704.210.5	1	0.040 kg
			Plastic blue	B	704.210.6	1	0.040 kg
			Plastic colourless	B	704.210.7	1	0.040 kg
		Plastic black	Plastic black	B	704.209.0	1	0.040 kg
			Plastic red	B	704.209.2	1	0.040 kg
			Plastic yellow	B	704.209.4	1	0.040 kg
			Plastic green	B	704.209.5	1	0.040 kg
			Plastic blue	B	704.209.6	1	0.040 kg
			Plastic colourless	B	704.209.7	1	0.040 kg
		Plastic grey	Plastic black	C	704.240.0	2	0.040 kg
			Plastic red	C	704.240.2	2	0.040 kg
			Plastic yellow	C	704.240.4	2	0.040 kg
Plastic green	C		704.240.5	2	0.040 kg		
Plastic colourless	C		704.240.7	2	0.040 kg		

04 Raised design

Front protection	Front ring	Front bezel	Lens	Switching action	Part No.	Wiring diagram	Weight
IP65		Plastic black	Plastic black	C	704.239.0	2	0.040 kg
			Plastic red	C	704.239.2	2	0.040 kg
			Plastic green	C	704.239.5	2	0.040 kg
			Plastic colourless	C	704.239.7	2	0.040 kg

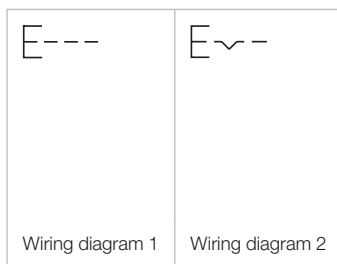


Pushbutton actuator, Front dimension Ø 29 mm

IP65	Plastic grey		Plastic black	B	704.010.0	1	0.040 kg	
			Plastic red	B	704.010.2	1	0.040 kg	
			Plastic yellow	B	704.010.4	1	0.040 kg	
			Plastic green	B	704.010.5	1	0.040 kg	
			Plastic blue	B	704.010.6	1	0.040 kg	
			Plastic colourless	B	704.010.7	1	0.040 kg	
	Plastic black			Plastic black	B	704.009.0	1	0.040 kg
				Plastic red	B	704.009.2	1	0.040 kg
				Plastic yellow	B	704.009.4	1	0.040 kg
				Plastic green	B	704.009.5	1	0.040 kg
				Plastic blue	B	704.009.6	1	0.040 kg
				Plastic colourless	B	704.009.7	1	0.040 kg
	Plastic grey			Plastic black	C	704.040.0	2	0.040 kg
				Plastic red	C	704.040.2	2	0.040 kg
				Plastic yellow	C	704.040.4	2	0.040 kg
				Plastic green	C	704.040.5	2	0.040 kg
				Plastic blue	C	704.040.6	2	0.040 kg
				Plastic colourless	C	704.040.7	2	0.040 kg
	Plastic black			Plastic black	C	704.039.0	2	0.040 kg
				Plastic red	C	704.039.2	2	0.040 kg
				Plastic yellow	C	704.039.4	2	0.040 kg
				Plastic green	C	704.039.5	2	0.040 kg
				Plastic blue	C	704.039.6	2	0.040 kg
				Plastic colourless	C	704.039.7	2	0.040 kg
	Aluminium natural anodized			Aluminium black anodized	B	704.011.0	1	0.040 kg
				Aluminium red anodized	B	704.011.2	1	0.040 kg
				Aluminium gold anodized	B	704.011.4	1	0.040 kg
				Aluminium olive-green anodized	B	704.011.5	1	0.040 kg
				Aluminium blue anodized	B	704.011.6	1	0.040 kg
				Aluminium natural anodized	B	704.011.8	1	0.040 kg
				Plastic black	B	704.012.0	1	0.040 kg
				Plastic red	B	704.012.2	1	0.040 kg
				Plastic yellow	B	704.012.4	1	0.040 kg
				Plastic green	B	704.012.5	1	0.040 kg
				Plastic blue	B	704.012.6	1	0.040 kg
				Plastic colourless	B	704.012.7	1	0.040 kg
Aluminium black anodized				C	704.041.0	2	0.040 kg	
Aluminium red anodized				C	704.041.2	2	0.040 kg	
Aluminium olive-green anodized				C	704.041.5	2	0.040 kg	
Aluminium blue anodized				C	704.041.6	2	0.040 kg	
Aluminium natural anodized				C	704.041.8	2	0.040 kg	

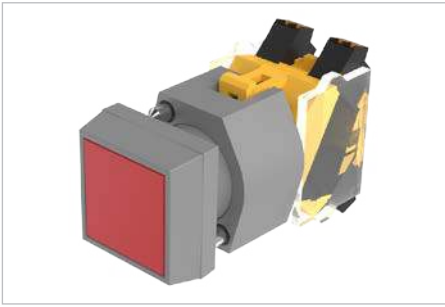
Front protection	Front ring	Front bezel	Lens	Switching action	Part No.	Wiring diagram	Weight
IP65	Aluminium natural anodized		Kunststoff schwarz	C	704.042.0	2	0.040 kg
			Plastic red	C	704.042.2	2	0.040 kg
			Plastic yellow	C	704.042.4	2	0.040 kg
			Plastic green	C	704.042.5	2	0.040 kg
			Plastic blue	C	704.042.6	2	0.040 kg
			Plastic colourless	C	704.042.7	2	0.040 kg
IP 67	Aluminium natural anodized with protective cap		Plastic black	B	704.013.0	1	0.040 kg
			Plastic red	B	704.013.2	1	0.040 kg
			Plastic yellow	B	704.013.4	1	0.040 kg
			Plastic green	B	704.013.5	1	0.040 kg
			Plastic blue	B	704.013.6	1	0.040 kg
			Plastic colourless	B	704.013.7	1	0.040 kg
			Plastic black	C	704.043.0	2	0.040 kg
			Plastic red	C	704.043.2	2	0.040 kg
Plastic colourless	C	704.043.7	2	0.040 kg			

Switching action : B = Momentary, C = Maintain

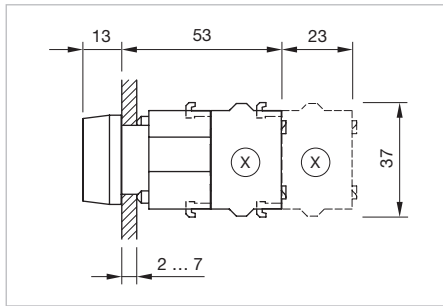


04 Raised design

Pushbutton square, IP65



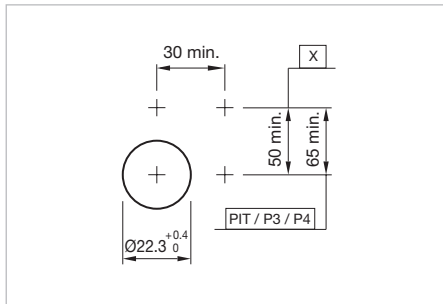
Product can differ from the current configuration.



Dimensions [mm]
X = Screw terminal

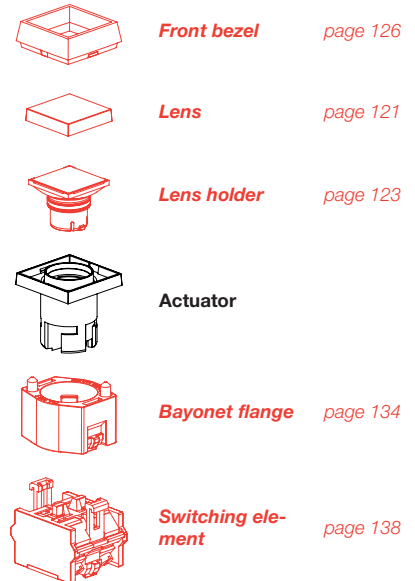
Additional Information

- For front dimension 30 x 30 mm
- Other terminal options from the part switching element see «Accessories»
- Max. 3 switching elements can be clipped on




Mounting cut-outs [mm]
PIT = Push-in terminal,
P3 = Plug-in terminal 6.3 x 0.8 mm,
P4 = Double plug-in terminal 6.3 x 0.8 mm,
X = Screw terminal

Equipment consisting of (schematic overview)

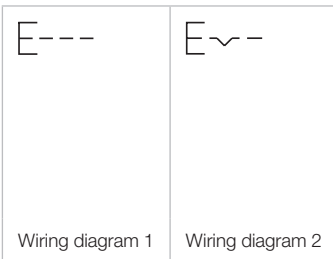


Each Part Number listed below includes all the black components shown in the 3D-drawing.

To obtain a complete unit, please select the red components from the pages shown.

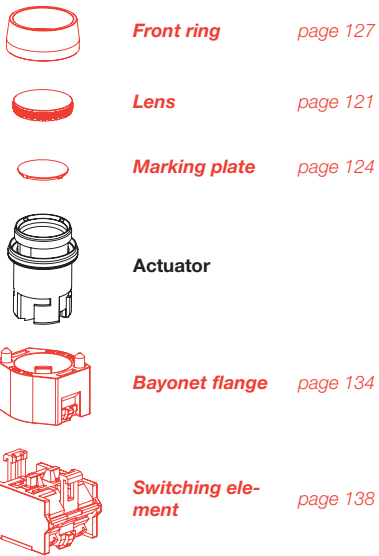
Housing	Switching action	Part No.	Wiring diagram	Weight
	Pushbutton actuator square			
Plastic black	B	704.731.0	1	0.020 kg
Plastic grey	B	704.731.1	1	0.020 kg
Plastic black	C	704.732.0	2	0.020 kg
Plastic grey	C	704.732.1	2	0.020 kg

Switching action : B = Momentary, C = Maintain



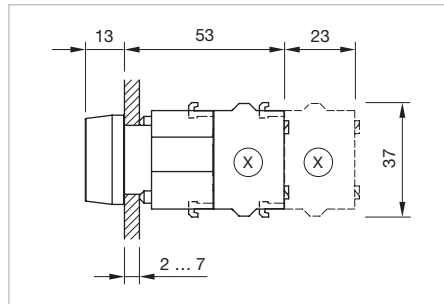
Pushbutton round, IP65

Equipment consisting of (schematic overview)

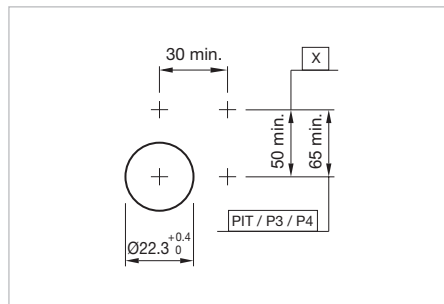


Each Part Number listed below includes all the black components shown in the 3D-drawing.

To obtain a complete unit, please select the red components from the pages shown.



Dimensions [mm]
X = Screw terminal




Mounting cut-outs [mm]
PIT = Push-in terminal,
P3 = Plug-in terminal 6.3 x 0.8 mm,
P4 = Double plug-in terminal 6.3 x 0.8 mm,
X = Screw terminal



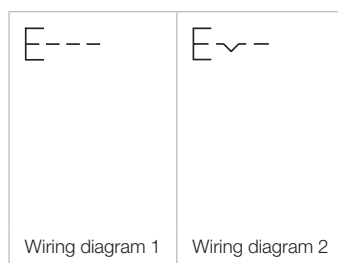
Product can differ from the current configuration.

Additional Information

- For front dimension \varnothing 29 mm
- Housing plastic grey
- Other terminal options from the part switching element see «Accessories»
- Max. 3 switching elements can be clipped on

Switching action	Part No.	Wiring diagram	Weight
			
Pushbutton actuator round			
B	704.631.1	1	0.009 kg
C	704.632.1	2	0.009 kg

Switching action : B = Momentary, C = Maintain

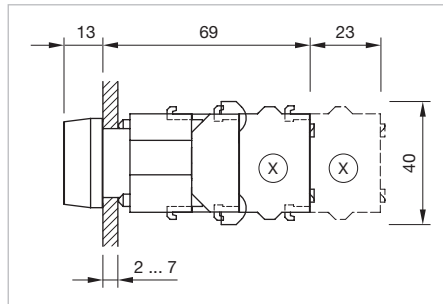


04 Raised design

Illuminated pushbutton



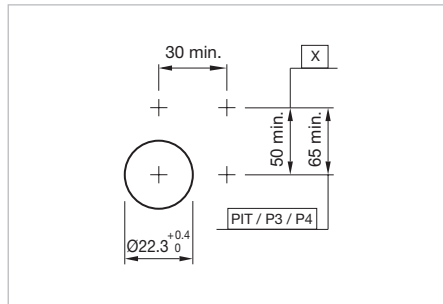
Product can differ from the current configuration.



Dimensions [mm]
X = Screw terminal

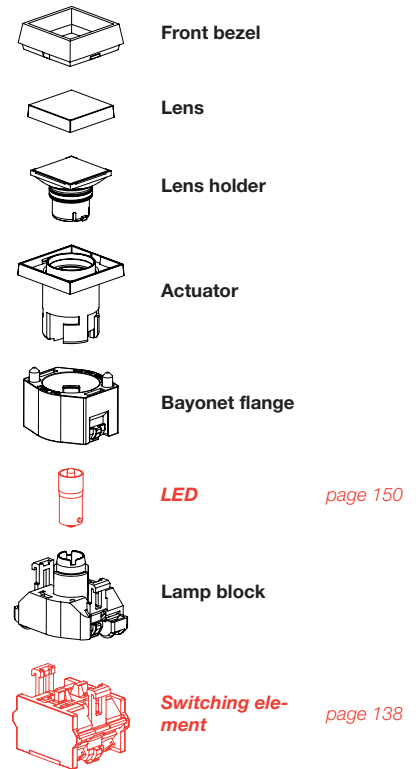
Additional Information

- Other terminal options from the part switching element see «Accessories»
- The lamp block will be delivered with screw terminal
- Frontring with protective cover to be mounted with a torque of 40 Ncm onto actuator
- Max. 3 switching elements can be clipped on
- The colour of anodized aluminium parts can vary due to technical production reasons



Mounting cut-outs [mm]
PIT = Push-in terminal,
P3 = Plug-in terminal 6.3 x 0.8 mm,
P4 = Double plug-in terminal 6.3 x 0.8 mm,
X = Screw terminal

Equipment consisting of (schematic overview)



Each Part Number listed below includes all the black components shown in the 3D-drawing.

To obtain a complete unit, please select the red components from the pages shown.

Front protection	Housing	Front ring	Front bezel	Lens	Switching action	Part No.	Wiring diagram	Weight
	Plastic black		Plastic grey	Plastic red	B	704.230.2	1	0.056 kg
				Plastic yellow	B	704.230.4	1	0.056 kg
				Plastic green	B	704.230.5	1	0.056 kg
				Plastic blue	B	704.230.6	1	0.056 kg
				Plastic colourless	B	704.230.7	1	0.056 kg
				Plastic black	Plastic red	B	704.229.2	1
			Plastic yellow		B	704.229.4	1	0.056 kg
			Plastic green		B	704.229.5	1	0.056 kg
			Plastic blue		B	704.229.6	1	0.056 kg
			Plastic colourless		B	704.229.7	1	0.056 kg
			Plastic grey	Plastic red	C	704.260.2	2	0.056 kg
				Plastic yellow	C	704.260.4	2	0.056 kg
				Plastic green	C	704.260.5	2	0.056 kg
				Plastic blue	C	704.260.6	2	0.056 kg
				Plastic colourless	C	704.260.7	2	0.056 kg

Front protection	Housing	Front ring	Front bezel	Lens	Switching action	Part No.	Wiring diagram	Weight
IP65	Plastic black		Plastic black	Plastic red	C	704.259.2	2	0.056 kg
				Plastic yellow	C	704.259.4	2	0.056 kg
				Plastic green	C	704.259.5	2	0.056 kg
				Plastic blue	C	704.259.6	2	0.056 kg
				Plastic colourless	C	704.259.7	2	0.056 kg



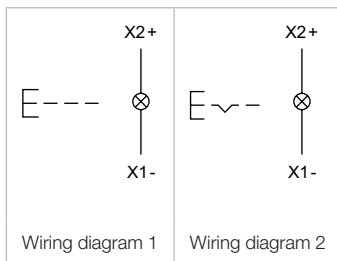
Illuminated pushbutton actuator, Front dimension Ø 29 mm

IP65	Plastic grey	Plastic grey		Plastic red	B	704.030.2	1	0.056 kg		
				Plastic yellow	B	704.030.4	1	0.056 kg		
				Plastic green	B	704.030.5	1	0.056 kg		
				Plastic blue	B	704.030.6	1	0.056 kg		
				Plastic colourless	B	704.030.7	1	0.056 kg		
		Plastic black				Plastic red	B	704.029.2	1	0.056 kg
						Plastic yellow	B	704.029.4	1	0.056 kg
						Plastic green	B	704.029.5	1	0.056 kg
						Plastic blue	B	704.029.6	1	0.056 kg
						Plastic colourless	B	704.029.7	1	0.056 kg
		Plastic grey				Plastic red	C	704.060.2	2	0.056 kg
						Plastic yellow	C	704.060.4	2	0.056 kg
						Plastic green	C	704.060.5	2	0.056 kg
						Plastic blue	C	704.060.6	2	0.056 kg
						Plastic colourless	C	704.060.7	2	0.056 kg
		Plastic black				Plastic red	C	704.059.2	2	0.056 kg
						Plastic yellow	C	704.059.4	2	0.056 kg
						Plastic green	C	704.059.5	2	0.056 kg
						Plastic colourless	C	704.059.7	2	0.056 kg
		Aluminium natural anodized				Plastic red	B	704.032.2	1	0.056 kg
						Plastic yellow	B	704.032.4	1	0.056 kg
						Plastic green	B	704.032.5	1	0.056 kg
						Plastic blue	B	704.032.6	1	0.056 kg
						Plastic colourless	B	704.032.7	1	0.056 kg
		Aluminium natural anodized with protective cap				Plastic red	B	704.033.2	1	0.056 kg
						Plastic yellow	B	704.033.4	1	0.056 kg
						Plastic green	B	704.033.5	1	0.056 kg
						Plastic blue	B	704.033.6	1	0.056 kg
						Plastic colourless	B	704.033.7	1	0.056 kg
		Aluminium natural anodized				Plastic red	C	704.062.2	2	0.056 kg
Plastic yellow	C					704.062.4	2	0.056 kg		
Plastic green	C					704.062.5	2	0.056 kg		
Plastic blue	C					704.062.6	2	0.056 kg		
Plastic colourless	C					704.062.7	2	0.056 kg		

04 Raised design

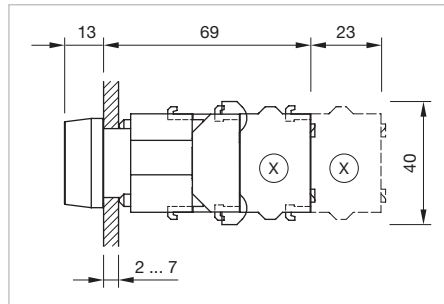
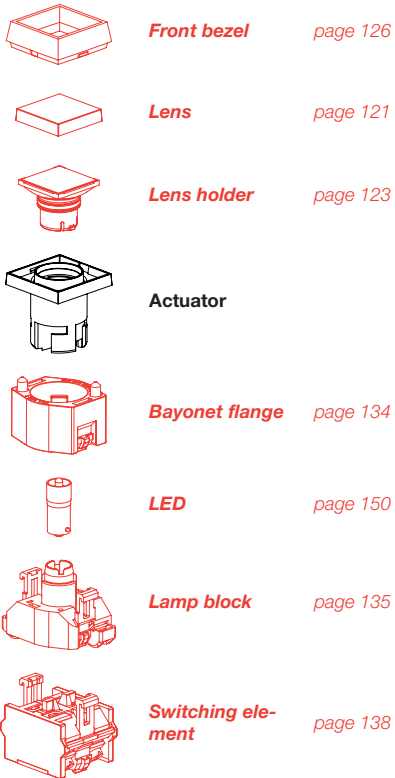
Front protection	Housing	Front ring	Front bezel	Lens	Switching action	Part No.	Wiring diagram	Weight
IP 67	Plastic grey	Aluminium natural anodized with protective cap		Plastic red	C	704.063.2	2	0.056 kg
				Plastic yellow	C	704.063.4	2	0.056 kg
				Plastic green	C	704.063.5	2	0.056 kg
				Plastic blue	C	704.063.6	2	0.056 kg
				Plastic colourless	C	704.063.7	2	0.056 kg

Switching action : B = Momentary, C = Maintain



Illuminated pushbutton square, IP65

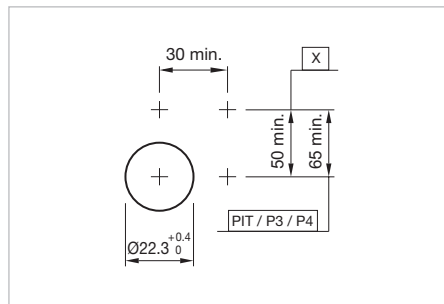
Equipment consisting of (schematic overview)



Dimensions [mm]
X = Screw terminal



Product can differ from the current configuration.




Mounting cut-outs [mm]
PIT = Push-in terminal,
P3 = Plug-in terminal 6.3 x 0.8 mm,
P4 = Double plug-in terminal 6.3 x 0.8 mm,
X = Screw terminal

Additional Information

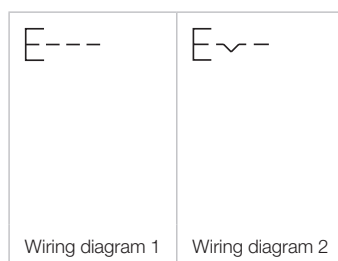
- For front dimension 30 x 30 mm
- Other terminal options from the parts switching element and lamp block see «Accessories»
- Max. 3 switching elements can be clipped on

Each Part Number listed below includes all the black components shown in the 3D-drawing.

To obtain a complete unit, please select the red components from the pages shown.

Housing	Switching action	Part No.	Wiring diagram	Weight
	Illuminated pushbutton actuator square			
Plastic black	B	704.731.0	1	0.020 kg
Plastic grey	B	704.731.1	1	0.020 kg
	C	704.732.1	2	0.020 kg
Plastic black	C	704.732.0	2	0.020 kg

Switching action : B = Momentary, C = Maintain

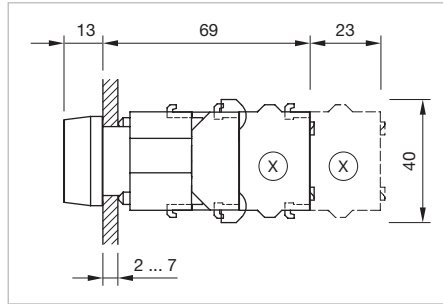


04 Raised design

Illuminated pushbutton round, IP65



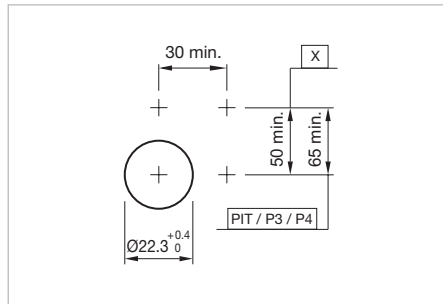
Product can differ from the current configuration.



Dimensions [mm]
X = Screw terminal

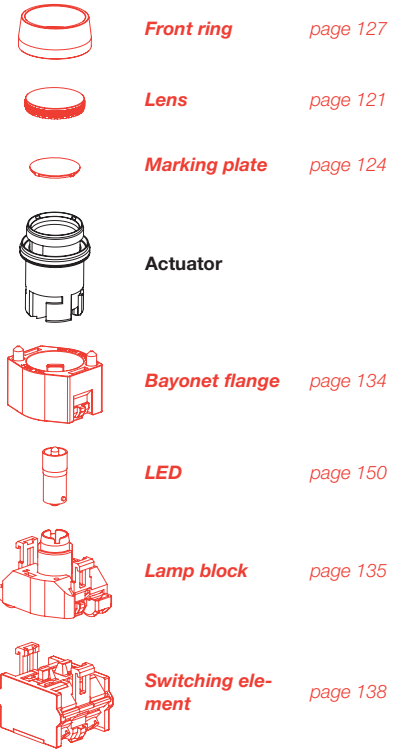
Additional Information

- For front dimension $\varnothing 29$ mm
- Lens flat or raised possible; equal choose marking plate or marking cap
- Lens metal with spot possible
- Housing plastic grey
- Other terminal options from the parts switching element and lamp block see «Accessories»
- Max. 3 switching elements can be clipped on




Mounting cut-outs [mm]
PIT = Push-in terminal,
P3 = Plug-in terminal 6.3 x 0.8 mm,
P4 = Double plug-in terminal 6.3 x 0.8 mm,
X = Screw terminal

Equipment consisting of (schematic overview)



Each Part Number listed below includes all the black components shown in the 3D-drawing.

To obtain a complete unit, please select the red components from the pages shown.

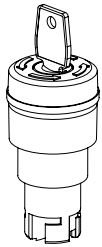
Switching action	Part No.	Wiring diagram	Weight
 <p>Illuminated pushbutton actuator round</p>	704.631.1	1	0.009 kg
	704.632.1	2	0.009 kg

Switching action : B = Momentary, C = Maintain

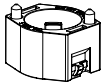
E---	E~--
Wiring diagram 1	Wiring diagram 2

Emergency-stop switch, foolproof EN IEC 60947-5-5, IP65

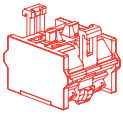
Equipment consisting of (schematic overview)



Actuator



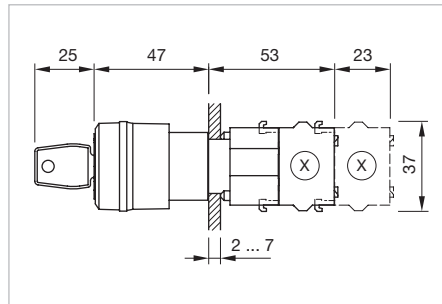
Bayonet flange



Switching element *page 138*

Each Part Number listed below includes all the black components shown in the 3D-drawing.

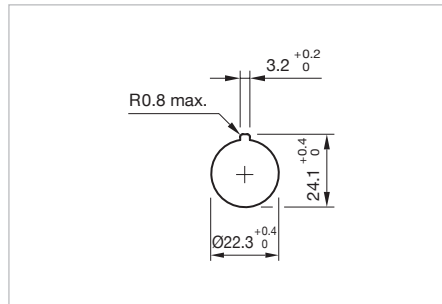
To obtain a complete unit, please select the red components from the pages shown.



Dimensions [mm]
X = Screw terminal





Product can differ from the current configuration.



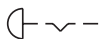
Mounting cut-outs [mm]

Additional Information

- Other terminal options from the part switching element see «Accessories»
- Shaft yellow
- Lock type Euro-Locks 9500
- Two keys are supplied with each key lock switch
- Max. 2 slow-make elements can be clipped on
- Application as per DIN EN ISO 13850 and EN 60204-1

Product attribute	Lens	Marking	Switching action	Part No.	Wiring diagram	Weight
						
Emergency-stop switch actuator, foolproof EN IEC 60947-5-5, Front dimension Ø 37 mm						
Twist to unlock anti-clockwise	Plastic red	Arrows	C	704.064.2A	1	0.300 kg
						
Emergency-stop switch actuator, foolproof EN IEC 60947-5-5, Front dimension Ø 37 mm						
Key to unlock anti-clockwise	Plastic red	Arrows	C	704.066.2A	1	0.300 kg

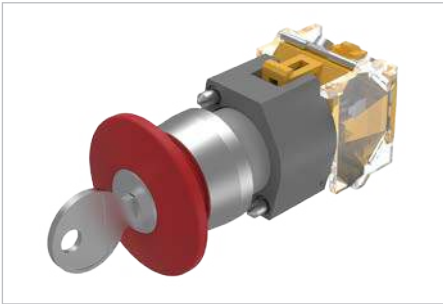
Switching action : C = Maintain



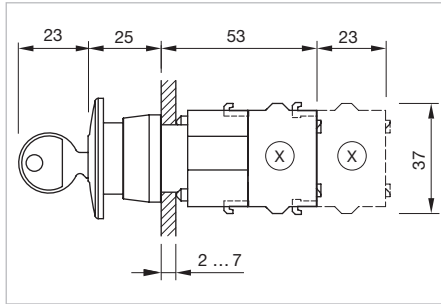
Wiring diagram 1

04 Raised design

Stop switch, IP65



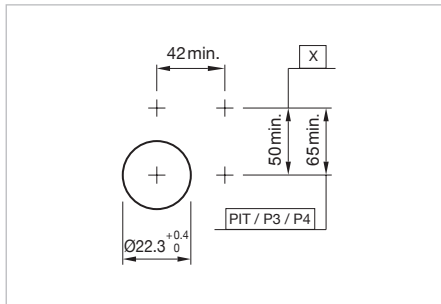
Product can differ from the current configuration.



Dimensions [mm]
X = Screw terminal

Additional Information

- The colour of anodized aluminium parts can vary due to technical production reasons
- Other terminal options from the part switching element see «Accessories»
- The standard lock Ronis 251
- Two keys are supplied with each key lock switch
- Max. 3 switching elements can be clipped on

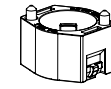


Mounting cut-outs [mm]
PIT = Push-in terminal,
P3 = Plug-in terminal 6.3 x 0.8 mm,
P4 = Double plug-in terminal 6.3 x 0.8 mm,
X = Screw terminal

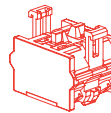
Equipment consisting of (schematic overview)



Actuator



Bayonet flange







Switching element

page 138

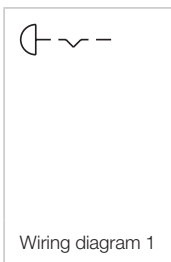
Each Part Number listed below includes all the black components shown in the 3D-drawing.

To obtain a complete unit, please select the red components from the pages shown.

Product attribute	Front ring	Lens	Marking	Switching action	Part No.	Wiring diagram	Weight
 <p>Stop switch actuator, Front dimension Ø 40 mm</p>							
Twist to unlock clockwise	Plastic grey	Plastic red	Arrows	C	704.074.2	1	0.047 kg
			Stop	C	704.074.3	1	0.047 kg
	Aluminium natural anodized	Plastic red	Arrows	C	704.075.2	1	0.047 kg
			–	C	704.075.3	1	0.047 kg
 <p>Stop switch actuator, Front dimension Ø 40 mm</p>							
Key to unlock clockwise	Plastic grey	Plastic red	without	C	704.076.0	1	0.063 kg
			without	C	704.078.0	1	0.063 kg

Product attribute	Lens	Marking	Switching action	Part No.	Wiring diagram	Weight
 <p>Stop switch actuator, Front dimension Ø 37 mm</p>						
Twist to unlock anti-clockwise	Plastic red	Arrows	C	704.064.2	1	0.300 kg
 <p>Stop switch actuator, Front dimension Ø 37 mm</p>						
Key to unlock anti-clockwise	Plastic red	Arrows	C	704.066.2	1	0.300 kg

Switching action : C = Maintain

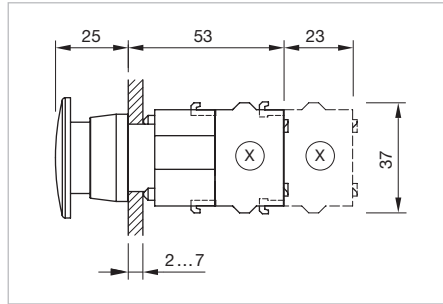


04 Raised design

Mushroom-head pushbutton, IP65

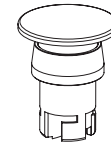


Product can differ from the current configuration.

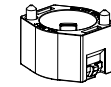


Dimensions [mm]
X = Screw terminal

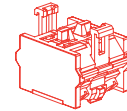
Equipment consisting of (schematic overview)



Actuator



Bayonet flange

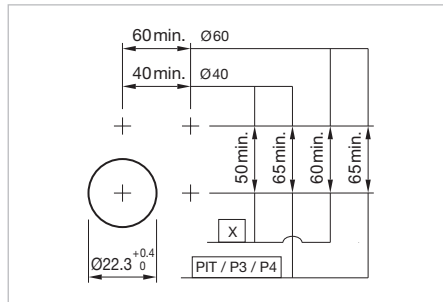


Switching element

page 138

Additional Information


- Other terminal options from the part switching element see «Accessories»
- The colour of anodized aluminium parts can vary due to technical production reasons
- Max. 3 switching elements can be clipped on




Mounting cut-outs [mm]
PIT = Push-in terminal,
P3 = Plug-in terminal 6.3 x 0.8 mm,
P4 = Double plug-in terminal 6.3 x 0.8 mm,
X = Screw terminal

Each Part Number listed below includes all the black components shown in the 3D-drawing.

To obtain a complete unit, please select the red components from the pages shown.

Front ring	Lens	Switching action	Part No.	Wiring diagram	Weight
 <p>Mushroom-head pushbutton actuator, Front dimension Ø 40 mm</p>					
Plastic grey	Plastic black	B	704.070.0	1	0.044 kg
	Plastic red	B	704.070.2	1	0.044 kg
	Plastic yellow	B	704.070.4	1	0.044 kg
	Plastic green	B	704.070.5	1	0.044 kg
Aluminium natural anodized	Plastic black	B	704.071.0	1	0.044 kg
	Plastic red	B	704.071.2	1	0.044 kg
	Plastic yellow	B	704.071.4	1	0.044 kg
	Plastic green	B	704.071.5	1	0.044 kg
Plastic grey	Plastic black	C	704.072.0	2	0.044 kg
	Plastic red	C	704.072.2	2	0.044 kg
Aluminium natural anodized	Plastic black	C	704.073.0	2	0.044 kg
	Plastic red	C	704.073.2	2	0.044 kg
	Plastic yellow	C	704.073.4	2	0.044 kg
	Plastic green	C	704.073.5	2	0.044 kg

Front ring	Lens	Switching action	Part No.	Wiring diagram	Weight
 <p>Mushroom-head pushbutton actuator, Front dimension Ø 60 mm</p>					
Aluminium natural anodized	Aluminium red anodized	B	704.079.2	1	0.060 kg
		C	704.075.2I	2	0.069 kg

Switching action : B = Momentary, C = Maintain

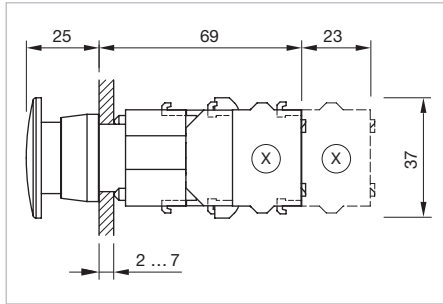
E---	E~--
Wiring diagram 1	Wiring diagram 2

04 Raised design

Illuminated mushroom head pushbutton, IP65



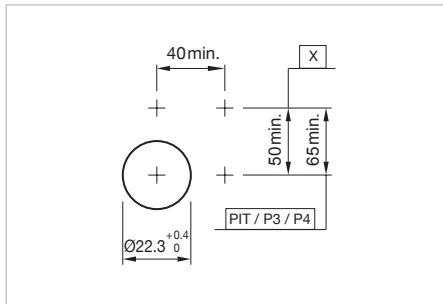
Product can differ from the current configuration.



Dimensions [mm]
X = Screw terminal

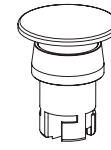
Additional Information

- The lamp block will be delivered with screw terminal
- Other terminal options from the part switching element see «Accessories»
- Max. 3 switching elements can be clipped on

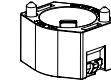


Mounting cut-outs [mm]
PIT = Push-in terminal,
P3 = Plug-in terminal 6.3 x 0.8 mm,
P4 = Double plug-in terminal 6.3 x 0.8 mm,
X = Screw terminal

Equipment consisting of (schematic overview)



Actuator

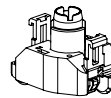


Bayonet flange

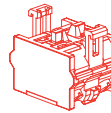


LED

page 150



Lamp block




Switching element

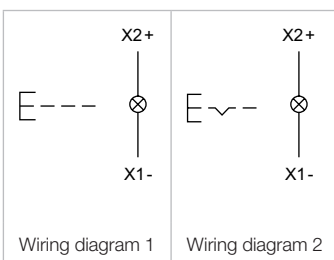
page 138

Each Part Number listed below includes all the black components shown in the 3D-drawing.

To obtain a complete unit, please select the red components from the pages shown.

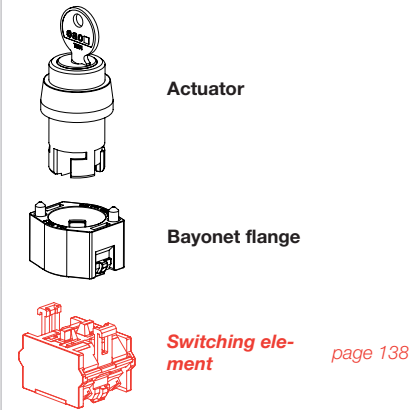
Front ring	Lens	Switching action	Part No.	Wiring diagram	Weight
 Mushroom-head pushbutton actuator illuminated, Front dimension \varnothing 40 mm					
Plastic grey	Plastic red	B	704.084.2	1	0.044 kg
	Plastic yellow	B	704.084.4	1	0.044 kg
	Plastic green	B	704.084.5	1	0.044 kg
	Plastic blue	B	704.084.6	1	0.044 kg
	Plastic colourless	B	704.084.7	1	0.044 kg
	Plastic red	C	704.086.2	2	0.044 kg
	Plastic yellow	C	704.086.4	2	0.044 kg
	Plastic green	C	704.086.5	2	0.044 kg

Switching action : B = Momentary, C = Maintain



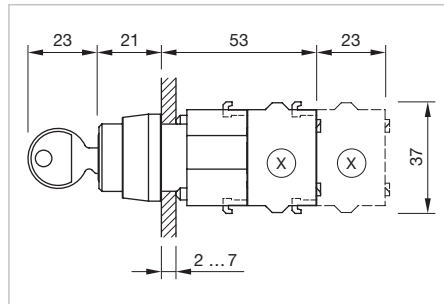
Keylock switch 2 positions, IP65

Equipment consisting of (schematic overview)



Each Part Number listed below includes all the black components shown in the 3D-drawing.

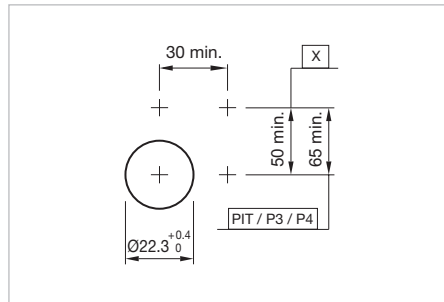
To obtain a complete unit, please select the red components from the pages shown.



Dimensions [mm]
X = Screw terminal



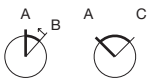
Product can differ from the current configuration.




Mounting cut-outs [mm]
PIT = Push-in terminal,
P3 = Plug-in terminal 6.3 x 0.8 mm,
P4 = Double plug-in terminal 6.3 x 0.8 mm,
X = Screw terminal

Additional Information


- Other terminal options from the part switching element see «Accessories»
- The standard lock Ronis 251
- Two keys are supplied with each key lock switch
- Further lock numbers see «Technical data»
- Max. 3 switching elements can be clipped on



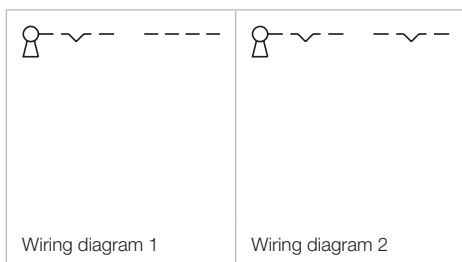
Switching positions (A = Rest, B = Momentary, C = Maintained)

Front ring	Front bezel	Switching action	Switching angle	Key remove	Part No.	Wiring diagram	Weight
 <p>Keylock switch actuator 2 positions, Front dimension 30 x 30 mm</p>	Plastic grey	A - B	B = 42°	A	704.343.0	1	0.070 kg
		A - C	C = 90°	C	704.340.0	2	0.070 kg
				A	704.341.0	2	0.070 kg
				A + C	704.342.0	2	0.070 kg

04 Raised design

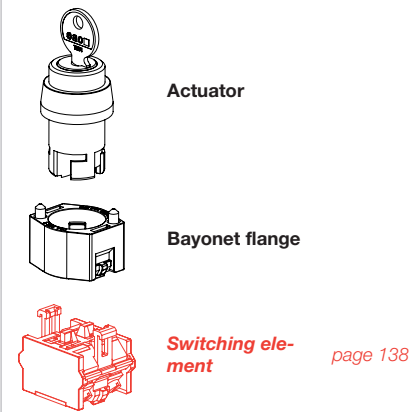
Front ring	Front bezel	Switching action	Switching angle	Key remove	Part No.	Wiring diagram	Weight
 <p>Keylock switch actuator 2 positions, Front dimension Ø 29 mm</p>							
Aluminium chrome		A - B	B = 42°	A	704.123.0	1	0.070 kg
		A - C	C = 90°	C	704.120.0	2	0.070 kg
				A	704.121.0	2	0.070 kg
				A + C	704.122.0	2	0.070 kg

Switching action : A = Rest, B = Momentary, C = Maintain



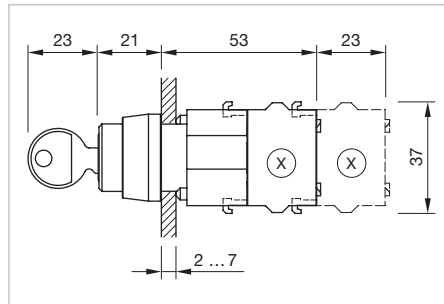
Keylock switch 3 positions, IP65

Equipment consisting of (schematic overview)



Each Part Number listed below includes all the black components shown in the 3D-drawing.

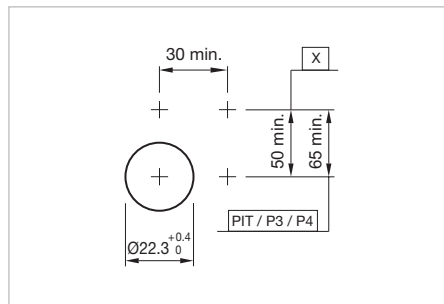
To obtain a complete unit, please select the red components from the pages shown.



Dimensions [mm]
X = Screw terminal



Product can differ from the current configuration.




Mounting cut-outs [mm]
PIT = Push-in terminal,
P3 = Plug-in terminal 6.3 x 0.8 mm,
P4 = Double plug-in terminal 6.3 x 0.8 mm,
X = Screw terminal

Additional Information


- Other terminal options from the part switching element see «Accessories»
- The standard lock Ronis 251
- Two keys are supplied with each key lock switch
- Further lock numbers see «Technical data»
- Max. 3 switching elements can be clipped on



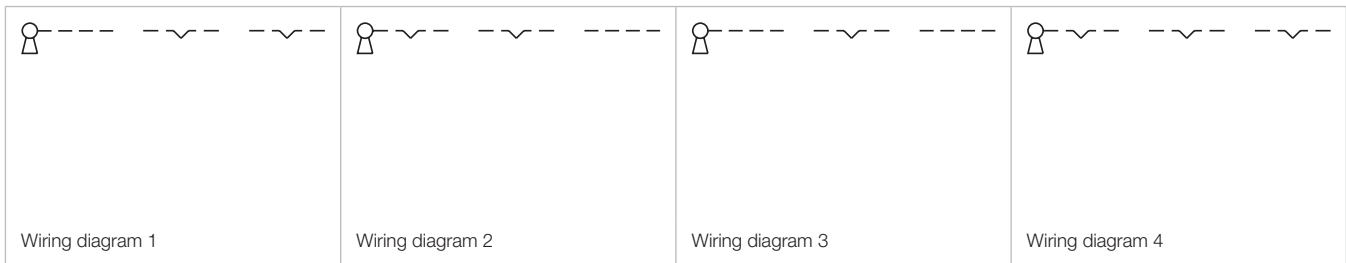
Switching positions (A = Rest, B = Momentary, C = Maintained)

Front ring	Front bezel	Switching action	Switching angle	Key remove	Part No.	Wiring diagram	Weight	
 <p>Keylock switch actuator 3 positions, Front dimension 30 x 30 mm</p>	Plastic grey	C - A - B	C = 42°, B = 42°	C	704.337.0	2	0.070 kg	
					C + A	704.344.0	2	0.070 kg
		B - A - B	B = 42° / 42°	A	704.335.0	3	0.070 kg	
		C - A - C	C = 42° / 42°	A	704.334.0	4	0.070 kg	
			C = 90° / 90°	C + A + C	704.333.0	4	0.070 kg	

04 Raised design

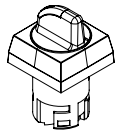
Front ring	Front bezel	Switching action	Switching angle	Key remove	Part No.	Wiring diagram	Weight
 <p>Keylock switch actuator 3 positions, Front dimension Ø 29 mm</p>							
Aluminium chrome		B - A - C	B = 42°, C = 42°	A	704.118.0	1	0.070 kg
		C - A - B	C = 42°, B = 42°	C	704.117.0	2	0.070 kg
				C + A	704.124.0	2	0.070 kg
		B - A - B	B = 42° / 42°	A	704.115.0	3	0.070 kg
		C - A - C	C = 42° / 42°	A	704.114.0	4	0.070 kg
				C + C	704.116.0	4	0.070 kg
				C = 90° / 90°	C + A + C	704.113.0	4

Switching action : A = Rest, B = Momentary, C = Maintain

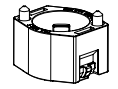


Selector switch actuator illuminated, 2 positions short lever, IP65

Equipment consisting of (schematic overview)



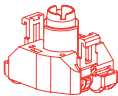
Actuator



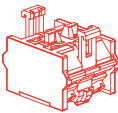
Bayonet flange



LED *page 150*



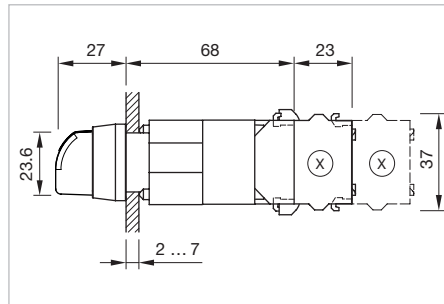
Lamp block *page 135*



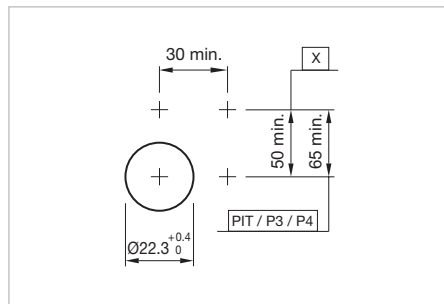
Switching element *page 138*

Each Part Number listed below includes all the black components shown in the 3D-drawing.

To obtain a complete unit, please select the red components from the pages shown.



Dimensions [mm]
X = Screw terminal



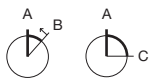
Mounting cut-outs [mm]
PIT = Push-in terminal,
P3 = Plug-in terminal 6.3 x 0.8 mm,
P4 = Double plug-in terminal 6.3 x 0.8 mm,
X = Screw terminal




Product can differ from the current configuration.

Additional Information


- Other terminal options from the part switching element see «Accessories»
- The colour of anodized aluminium parts can vary due to technical production reasons
- Max. 3 switching elements can be clipped on



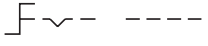
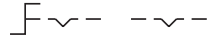
Switching positions (A = Rest, B = Momentary, C = Maintained)

Lever	Front ring	Front bezel	Switching action	Switching angle	Part No.	Wiring diagram	Weight
 <p style="text-align: center;">Selector switch actuator illuminated, 2 positions, short lever, Front dimension 30 x 30 mm</p>							
Plastic black		Plastic grey	A - B	B = 42°	704.512.0I	1	0.034 kg
			A - C	C = 90°	704.510.0I	2	0.034 kg

04 Raised design

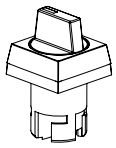
Lever	Front ring	Front bezel	Switching action	Switching angle	Part No.	Wiring diagram	Weight
 <p>Selector switch actuator illuminated, 2 positions, short lever, Front dimension Ø 29 mm</p>							
Plastic black	Plastic grey		A - C	C = 90°	704.410.01	2	0.034 kg
	Aluminium natural anodized		A - C	C = 90°	704.411.01	2	0.037 kg
	Plastic grey		A - B	B = 42°	704.412.01	1	0.034 kg
	Aluminium natural anodized		A - B	B = 42°	704.413.01	1	0.037 kg

Switching action : A = Rest, B = Momentary, C = Maintain

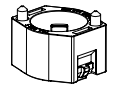
	
Wiring diagram 1	Wiring diagram 2

Selector switch actuator 2 positions short lever, IP65

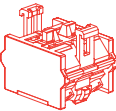
Equipment consisting of (schematic overview)



Actuator



Bayonet flange

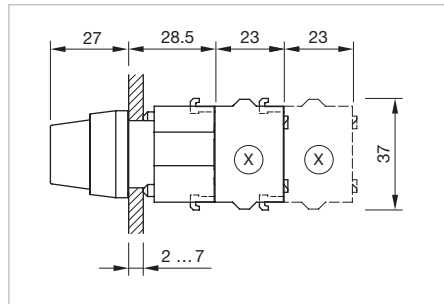


Switching element

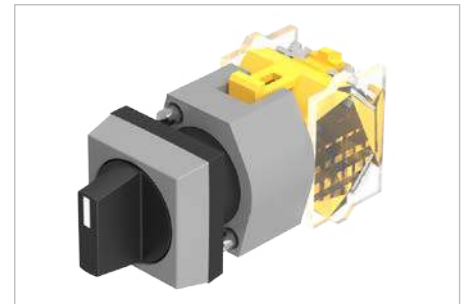
page 138

Each Part Number listed below includes all the black components shown in the 3D-drawing.

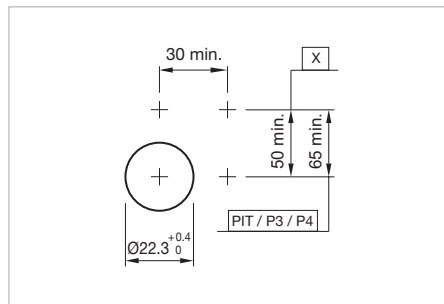
To obtain a complete unit, please select the red components from the pages shown.



Dimensions [mm]
X = Screw terminal



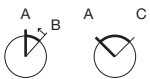
Product can differ from the current configuration.




Mounting cut-outs [mm]
PIT = Push-in terminal,
P3 = Plug-in terminal 6.3 x 0.8 mm,
P4 = Double plug-in terminal 6.3 x 0.8 mm,
X = Screw terminal

Additional Information


- Other terminal options from the part switching element see «Accessories»
- The colour of anodized aluminium parts can vary due to technical production reasons
- Max. 3 switching elements can be clipped on



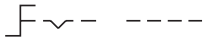
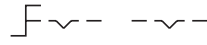
Switching positions (A = Rest, B = Momentary, C = Maintained)

Lever	Front ring	Front bezel	Switching action	Switching angle	Part No.	Wiring diagram	Weight
 <p>Selector switch actuator 2 positions, short lever, Front dimension 30 x 30 mm</p>							
Plastic black		Plastic grey	A - B	B = 42°	704.512.0	1	0.034 kg
			A - C	C = 90°	704.510.0	2	0.034 kg

04 Raised design

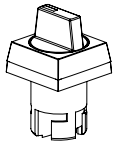
Lever	Front ring	Front bezel	Switching action	Switching angle	Part No.	Wiring diagram	Weight
 <p>Selector switch actuator 2 positions, short lever, Front dimension Ø 29 mm</p>							
Plastic black	Plastic grey		A - C	C = 90°	704.410.0	2	0.034 kg
	Aluminium natural anodized		A - C	C = 90°	704.411.0	2	0.037 kg
	Plastic grey		A - B	B = 42°	704.412.0	1	0.034 kg
	Aluminium natural anodized		A - B	B = 42°	704.413.0	1	0.037 kg

Switching action : A = Rest, B = Momentary, C = Maintain

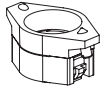
	
Wiring diagram 1	Wiring diagram 2

Selector switch 2 positions 12 o'clock short lever , IP65

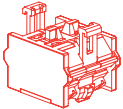
Equipment consisting of (schematic overview)



Actuator



Bayonet flange

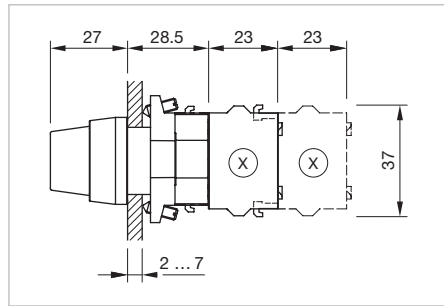


Switching element

page 138

Each Part Number listed below includes all the black components shown in the 3D-drawing.

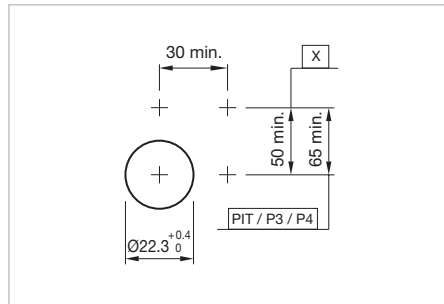
To obtain a complete unit, please select the red components from the pages shown.



Dimensions [mm]
X = Screw terminal



Product can differ from the current configuration.




Mounting cut-outs [mm]
PIT = Push-in terminal,
P3 = Plug-in terminal 6.3 x 0.8 mm,
P4 = Double plug-in terminal 6.3 x 0.8 mm,
X = Screw terminal

Additional Information


- Other terminal options from the part switching element see «Accessories»
- The colour of anodized aluminium parts can vary due to technical production reasons
- Max. 3 switching elements can be clipped on



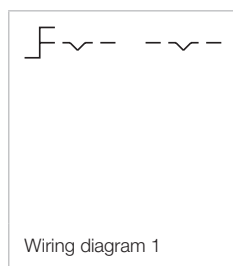
Switching positions (A = Rest, B = Momentary, C = Maintained)

Lever	Front ring	Front bezel	Switching action	Switching angle	Part No.	Wiring diagram	Weight
 <p>Selector switch actuator 2 positions 12 o'clock, short lever , Front dimension 30 x 30 mm</p>							
Plastic black		Plastic grey	A - C	C = 90°	704.510.0.12	1	0.034 kg

04 Raised design

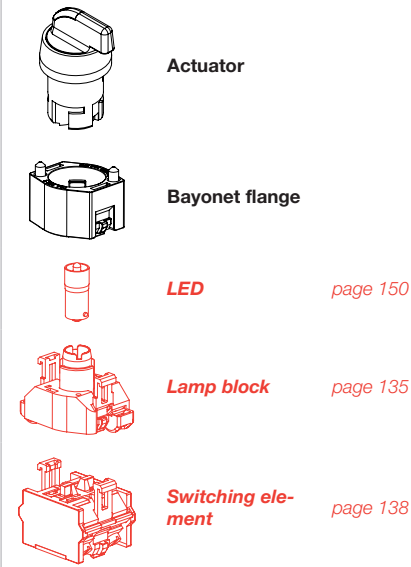
Lever	Front ring	Front bezel	Switching action	Switching angle	Part No.	Wiring diagram	Weight
 <p>Selector switch actuator 2 positions 12 o'clock, short lever , Front dimension Ø 29 mm</p>							
Plastic black	Plastic grey		A - C	C = 90°	704.410.0.12	1	0.034 kg
	Aluminium natural anodized		A - C	C = 90°	704.411.0.12	1	0.037 kg
			A - C	C = 90°	704.411.0B.12	1	0.037 kg

Switching action : A = Rest, C = Maintain



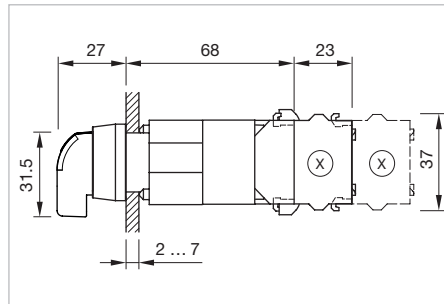
Selector switch illuminated, 2 positions, long lever, IP65

Equipment consisting of (schematic overview)

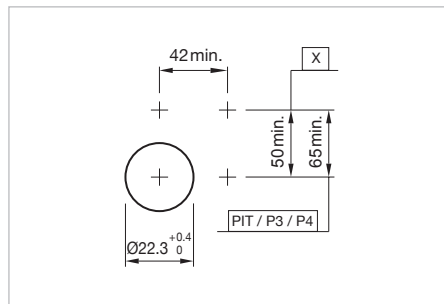


Each Part Number listed below includes all the black components shown in the 3D-drawing.

To obtain a complete unit, please select the red components from the pages shown.



Dimensions [mm]
X = Screw terminal



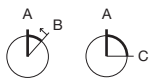
Mounting cut-outs [mm]
PIT = Push-in terminal,
P3 = Plug-in terminal 6.3 x 0.8 mm,
P4 = Double plug-in terminal 6.3 x 0.8 mm,
X = Screw terminal




Product can differ from the current configuration.

Additional Information


- Other terminal options from the part switching element see «Accessories»
- The colour of anodized aluminium parts can vary due to technical production reasons
- Max. 3 switching elements can be clipped on



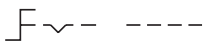
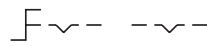
Switching positions (A = Rest, B = Momentary, C = Maintained)

Lever	Front ring	Front bezel	Switching action	Switching angle	Part No.	Wiring diagram	Weight
 <p>Selector switch actuator illuminated, 2 positions, long lever, Front dimension 30 x 30 mm</p>	Plastic black	Plastic grey	A - B	B = 42°	704.302.01	1	0.034 kg
			A - C	C = 90°	704.300.01	2	0.034 kg

04 Raised design

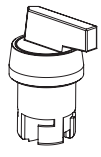
Lever	Front ring	Front bezel	Switching action	Switching angle	Part No.	Wiring diagram	Weight
 <p>Selector switch actuator illuminated, 2 positions, long lever, Front dimension Ø 29 mm</p>							
Plastic black	Plastic grey		A - C	C = 90°	704.100.01	2	0.034 kg
	Aluminium natural anodized		A - C	C = 90°	704.101.01	2	0.037 kg
	Plastic grey		A - B	B = 42°	704.102.01	1	0.034 kg
	Aluminium natural anodized		A - B	B = 42°	704.103.01	1	0.037 kg

Switching action : A = Rest, B = Momentary, C = Maintain

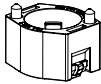
	
Wiring diagram 1	Wiring diagram 2

Selector switch 2 positions long lever, IP65

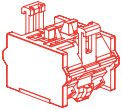
Equipment consisting of (schematic overview)



Actuator



Bayonet flange

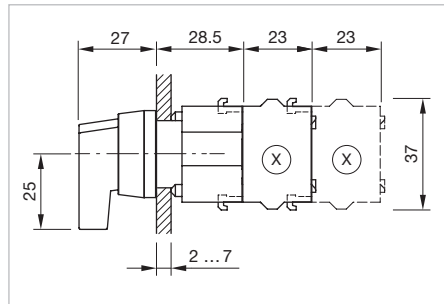


Switching element

page 138

Each Part Number listed below includes all the black components shown in the 3D-drawing.

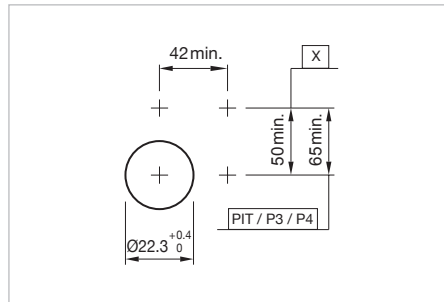
To obtain a complete unit, please select the red components from the pages shown.



Dimensions [mm]
X = Screw terminal



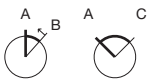
Product can differ from the current configuration.




Mounting cut-outs
PIT = Push-in terminal,
P3 = Plug-in terminal 6.3 x 0.8 mm,
P4 = Double plug-in terminal 6.3 x 0.8 mm,
X = Screw terminal

Additional Information


- Other terminal options from the part switching element see «Accessories»
- The colour of anodized aluminium parts can vary due to technical production reasons
- Max. 3 switching elements can be clipped on




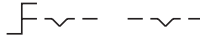
Switching positions (A = Rest, B = Momentary, C = Maintained)

Lever	Front ring	Front bezel	Switching action	Switching angle	Part No.	Wiring diagram	Weight
 <p>Selector switch actuator 2 positions, long lever, Front dimension 30 x 30 mm</p>	Plastic black	Plastic grey	A - B	B = 42°	704.302.0	1	0.034 kg
			A - C	C = 90°	704.300.0	2	0.034 kg

04 Raised design

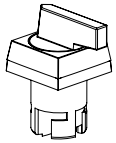
Lever	Front ring	Front bezel	Switching action	Switching angle	Part No.	Wiring diagram	Weight
 <p>Selector switch actuator 2 positions, long lever, Front dimension Ø 29 mm</p>							
Plastic black	Plastic grey		A - C	C = 90°	704.100.0	2	0.034 kg
	Aluminium natural anodized		A - C	C = 90°	704.101.0	2	0.037 kg
	Plastic grey		A - B	B = 42°	704.102.0	1	0.034 kg
	Aluminium natural anodized		A - B	B = 42°	704.103.0	1	0.037 kg

Switching action: A = Rest, B = Momentary, C = Maintained

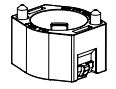
	
Wiring diagram 1	Wiring diagram 2

Selector switch 2 positions 12 o'clock long lever, IP65

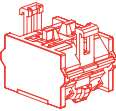
Equipment consisting of (schematic overview)



Actuator



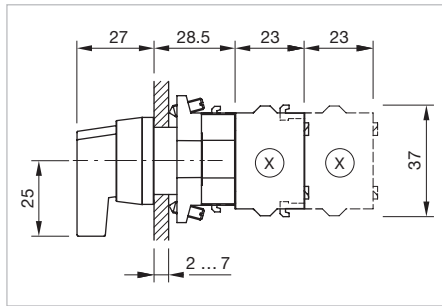
Bayonet flange



Switching element *page 138*

Each Part Number listed below includes all the black components shown in the 3D-drawing.

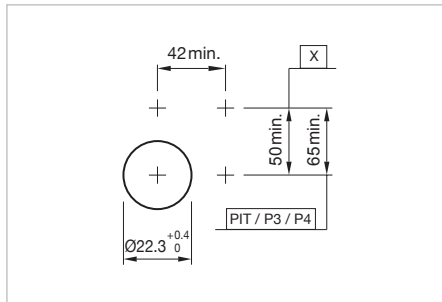
To obtain a complete unit, please select the red components from the pages shown.



Dimensions [mm]
X = Screw terminal



Product can differ from the current configuration.



Mounting cut-outs [mm]
PIT = Push-in terminal,
P3 = Plug-in terminal 6.3 x 0.8 mm,
P4 = Double plug-in terminal 6.3 x 0.8 mm,
X = Screw terminal

Additional Information

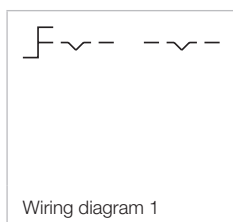
- Other terminal options from the part switching element see «Accessories»
- The colour of anodized aluminium parts can vary due to technical production reasons
- Max. 3 switching elements can be clipped on



Switching positions (A = Rest, B = Momentary, C = Maintained)

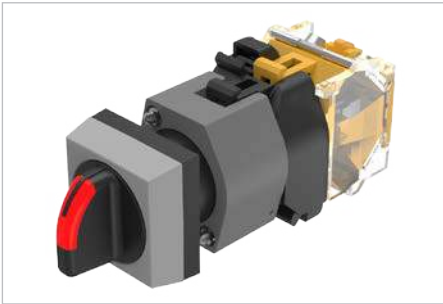
Lever	Front ring	Front bezel	Switching action	Switching angle	Part No.	Wiring diagram	Weight
	Selector switch actuator 2 positions 12 o'clock, long lever, Front dimension 30 x 30 mm						
Plastic black		Plastic grey	A - C	C = 90°	704.300.0.12	1	0.034 kg
	Selector switch actuator 2 positions 12 o'clock, long lever, Front dimension Ø 29 mm						
Plastic black	Plastic grey		A - C	C = 90°	704.100.0.12	1	0.034 kg
	Aluminium natural anodized		A - C	C = 90°	704.101.0.12	1	0.037 kg

Switching action : A = Rest, C = Maintain

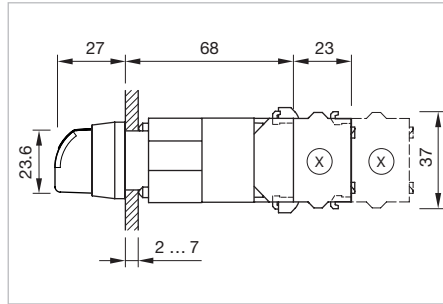


04 Raised design

Selector switch illuminated, 3 positions, short lever, IP65



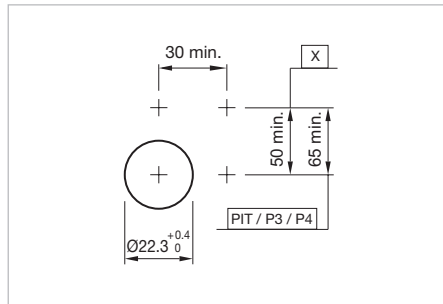
Product can differ from the current configuration.



Dimensions [mm]
X = Screw terminal

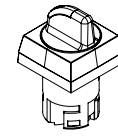
Additional Information

- Other terminal options from the part switching element see «Accessories»
- The colour of anodized aluminium parts can vary due to technical production reasons
- Max. 3 switching elements can be clipped on

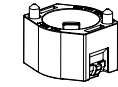


Mounting cut-outs [mm]
PIT = Push-in terminal,
P3 = Plug-in terminal 6.3 x 0.8 mm,
P4 = Double plug-in terminal 6.3 x 0.8 mm,
X = Screw terminal

Equipment consisting of (schematic overview)



Actuator

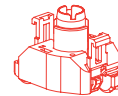


Bayonet flange



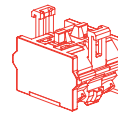
LED

page 150



Lamp block

page 135

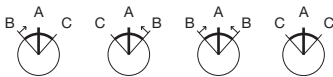


Switching element

page 138


Each Part Number listed below includes all the black components shown in the 3D-drawing.

To obtain a complete unit, please select the red components from the pages shown.

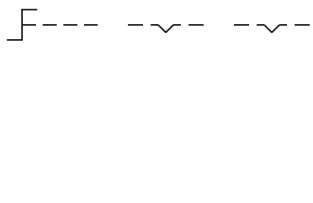
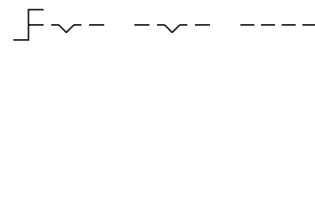
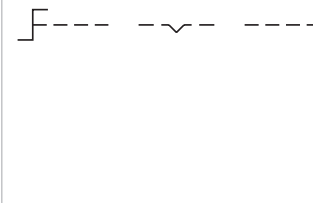
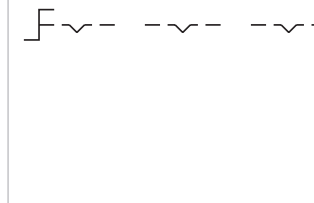


Switching positions (A = Rest, B = Momentary, C = Maintained)

Lever	Front ring	Front bezel	Switching action	Switching angle	Part No.	Wiring diagram	Weight
	Selector switch actuator illuminated, 3 positions, short lever, Front dimension 30 x 30 mm	Plastic grey	C - A - C	C = 42° / 42°	704.502.01	4	0.034 kg
			B - A - B	B = 42° / 42°	704.504.01	3	0.034 kg
			C - A - B	C = 42°, B = 42°	704.506.01	2	0.034 kg
			B - A - C	B = 42°, C = 42°	704.508.01	1	0.034 kg
			Plastic black				

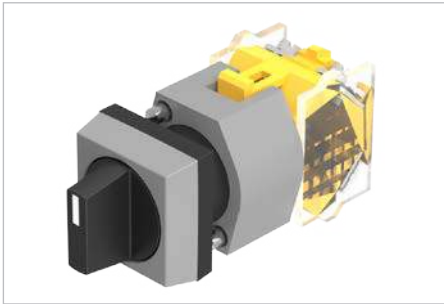
Lever	Front ring	Front bezel	Switching action	Switching angle	Part No.	Wiring diagram	Weight
 <p>Selector switch actuator illuminated, 3 positions, short lever, Front dimension Ø 29 mm</p>							
Plastic black	Plastic grey		C - A - C	C = 42° / 42°	704.402.0I	4	0.034 kg
	Aluminium natural anodized		C - A - C	C = 42° / 42°	704.403.0I	4	0.037 kg
	Plastic grey		B - A - B	B = 42° / 42°	704.404.0I	3	0.034 kg
	Aluminium natural anodized		B - A - B	B = 42° / 42°	704.405.0I	3	0.037 kg
	Plastic grey		C - A - B	C = 42°, B = 42°	704.406.0I	2	0.034 kg
	Aluminium natural anodized		C - A - B	C = 42°, B = 42°	704.407.0I	2	0.037 kg
	Plastic grey		B - A - C	B = 42°, C = 42°	704.408.0I	1	0.034 kg
	Aluminium natural anodized		B - A - C	B = 42°, C = 42°	704.409.0I	1	0.037 kg

Switching action : A = Rest, B = Momentary, C = Maintain

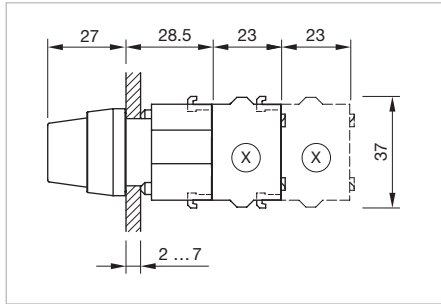
			
Wiring diagram 1	Wiring diagram 2	Wiring diagram 3	Wiring diagram 4

04 Raised design

Selector switch 3 positions short lever, IP65

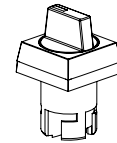


Product can differ from the current configuration.

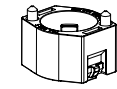


Dimensions [mm]
X = Screw terminal

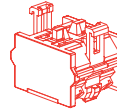
Equipment consisting of (schematic overview)



Actuator



Bayonet flange

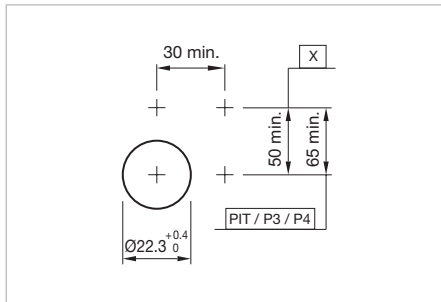


Switching element

page 138

Additional Information

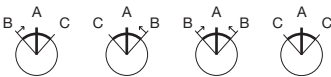
- Other terminal options from the part switching element see «Accessories»
- The colour of anodized aluminium parts can vary due to technical production reasons
- Max. 3 switching elements can be clipped on



Mounting cut-outs [mm]
PIT = Push-in terminal,
P3 = Plug-in terminal 6.3 x 0.8 mm,
P4 = Double plug-in terminal 6.3 x 0.8 mm,
X = Screw terminal


Each Part Number listed below includes all the black components shown in the 3D-drawing.

To obtain a complete unit, please select the red components from the pages shown.

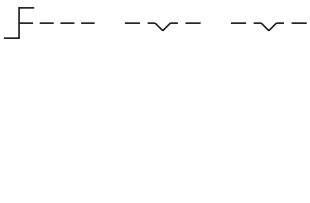
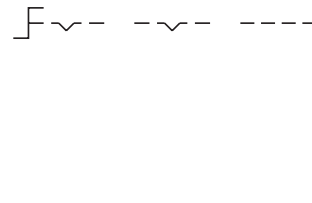
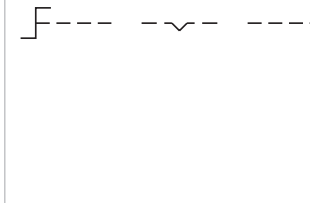
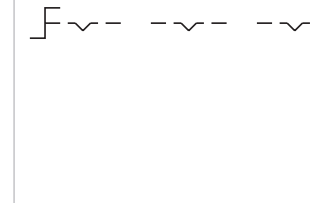


Switching positions (A = Rest, B = Momentary, C = Maintained)

Lever	Front ring	Front bezel	Switching action	Switching angle	Part No.	Wiring diagram	Weight
<p>Selector switch actuator 3 positions, short lever, Front dimension 30 x 30 mm</p>							
Plastic black		Plastic grey	C - A - C	C = 42° / 42°	704.502.0	4	0.034 kg
			B - A - B	B = 42° / 42°	704.504.0	3	0.034 kg
			C - A - B	C = 42°, B = 42°	704.506.0	2	0.034 kg
			B - A - C	B = 42°, C = 42°	704.508.0	1	0.034 kg

Lever	Front ring	Front bezel	Switching action	Switching angle	Part No.	Wiring diagram	Weight
 <p>Selector switch actuator 3 positions, short lever, Front dimension Ø 29 mm</p>							
Plastic black	Plastic grey		C - A - C	C = 42° / 42°	704.402.0	4	0.034 kg
	Aluminium natural anodized		C - A - C	C = 42° / 42°	704.403.0	4	0.037 kg
	Plastic grey		B - A - B	B = 42° / 42°	704.404.0	3	0.034 kg
	Aluminium natural anodized		B - A - B	B = 42° / 42°	704.405.0	3	0.037 kg
	Plastic grey		C - A - B	C = 42°, B = 42°	704.406.0	2	0.034 kg
	Aluminium natural anodized		C - A - B	C = 42°, B = 42°	704.407.0	2	0.037 kg
	Plastic grey		B - A - C	B = 42°, C = 42°	704.408.0	1	0.034 kg
	Aluminium natural anodized		B - A - C	B = 42°, C = 42°	704.409.0	1	0.037 kg

Switching action : A = Rest, B = Momentary, C = Maintain

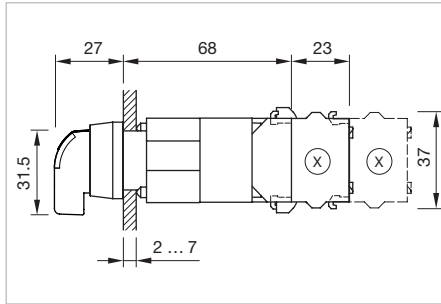
			
Wiring diagram 1	Wiring diagram 2	Wiring diagram 3	Wiring diagram 4

04 Raised design

Selector switch illuminated, 3 positions, long lever, IP65



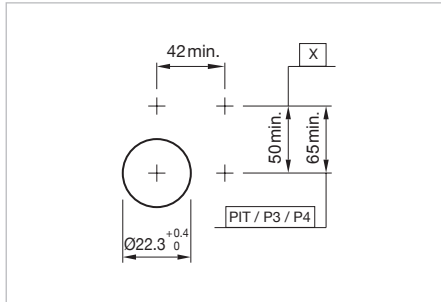
Product can differ from the current configuration.



Dimensions [mm]
X = Screw terminal

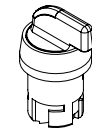
Additional Information

- Other terminal options from the part switching element see «Accessories»
- The colour of anodized aluminium parts can vary due to technical production reasons
- Max. 3 switching elements can be clipped on

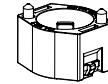


Mounting cut-outs [mm]
PIT = Push-in terminal,
P3 = Plug-in terminal 6.3 x 0.8 mm,
P4 = Double plug-in terminal 6.3 x 0.8 mm,
X = Screw terminal

Equipment consisting of (schematic overview)



Actuator

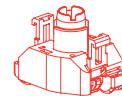


Bayonet flange



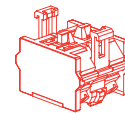
LED

page 150



Lamp block

page 135

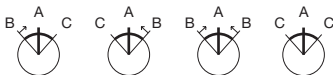


Switching element


page 138


Each Part Number listed below includes all the black components shown in the 3D-drawing.

To obtain a complete unit, please select the red components from the pages shown.




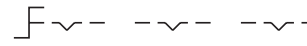


Switching positions (A = Rest, B = Momentary, C = Maintained)

Lever	Front ring	Front bezel	Switching action	Switching angle	Part No.	Wiring diagram	Weight
	Plastic black	Plastic grey	C - A - C	C = 42° / 42°	704.292.01	4	0.034 kg
			B - A - B	B = 42° / 42°	704.294.01	3	0.034 kg
			C - A - B	C = 42°, B = 42°	704.296.01	2	0.034 kg
			B - A - C	B = 42°, C = 42°	704.298.01	1	0.034 kg
			Selector switch actuator illuminated, 3 positions, long lever, Front dimension 30 x 30 mm				

Lever	Front ring	Front bezel	Switching action	Switching angle	Part No.	Wiring diagram	Weight
 <p>Selector switch actuator illuminated, 3 positions, long lever, Front dimension Ø 29 mm</p>							
Plastic black	Plastic grey		C - A - C	C = 42° / 42°	704.092.0I	4	0.034 kg
	Aluminium natural anodized		C - A - C	C = 42° / 42°	704.093.0I	4	0.037 kg
	Plastic grey		B - A - B	B = 42° / 42°	704.094.0I	3	0.034 kg
	Aluminium natural anodized		B - A - B	B = 42° / 42°	704.095.0I	3	0.037 kg
	Plastic grey		C - A - B	C = 42°, B = 42°	704.096.0I	2	0.034 kg
	Aluminium natural anodized		C - A - B	C = 42°, B = 42°	704.097.0I	2	0.037 kg
	Plastic grey		B - A - C	B = 42°, C = 42°	704.098.0I	1	0.034 kg
	Aluminium natural anodized		B - A - C	B = 42°, C = 42°	704.099.0I	1	0.034 kg

Switching action : A = Rest, B = Momentary, C = Maintain

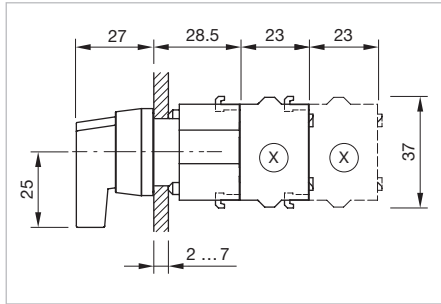
			
Wiring diagram 1	Wiring diagram 2	Wiring diagram 3	Wiring diagram 4

04 Raised design

Selector switch 3 positions long lever, IP65

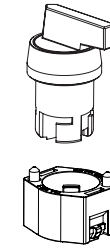


Product can differ from the current configuration.



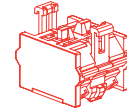
Dimensions [mm]
X = Screw terminal

Equipment consisting of (schematic overview)



Actuator

Bayonet flange

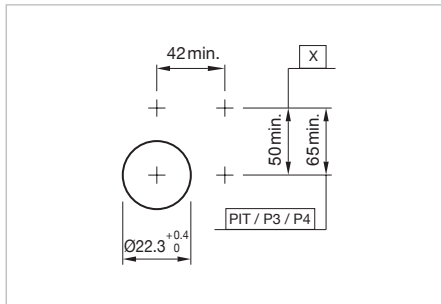


Switching element

page 138

Additional Information

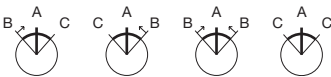
- Other terminal options from the part switching element see «Accessories»
- The colour of anodized aluminium parts can vary due to technical production reasons
- Max. 3 switching elements can be clipped on



Mounting cut-outs [mm]
PIT = Push-in terminal,
P3 = Plug-in terminal 6.3 x 0.8 mm,
P4 = Double plug-in terminal 6.3 x 0.8 mm,
X = Screw terminal


Each Part Number listed below includes all the black components shown in the 3D-drawing.

To obtain a complete unit, please select the red components from the pages shown.







Switching positions (A = Rest, B = Momentary, C = Maintained)

Lever	Front ring	Front bezel	Switching action	Switching angle	Part No.	Wiring diagram	Weight	
	Selector switch actuator 3 positions, long lever, Front dimension 30 x 30 mm							
	Plastic black		Plastic grey	C - A - C	C = 42° / 42°	704.292.0	4	0.034 kg
				B - A - B	B = 42° / 42°	704.294.0	3	0.034 kg
				C - A - B	C = 42°, B = 42°	704.296.0	2	0.034 kg
				B - A - C	B = 42°, C = 42°	704.298.0	1	0.034 kg

Lever	Front ring	Front bezel	Switching action	Switching angle	Part No.	Wiring diagram	Weight
 <p>Selector switch actuator 3 positions, long lever, Front dimension Ø 29 mm</p>							
Plastic black	Plastic grey		C - A - C	C = 42° / 42°	704.092.0	4	0.034 kg
	Aluminium natural anodized		C - A - C	C = 42° / 42°	704.093.0	4	0.037 kg
	Plastic grey		B - A - B	B = 42° / 42°	704.094.0	3	0.034 kg
	Aluminium natural anodized		B - A - B	B = 42° / 42°	704.095.0	3	0.037 kg
	Plastic grey		C - A - B	C = 42°, B = 42°	704.096.0	2	0.034 kg
	Aluminium natural anodized		C - A - B	C = 42°, B = 42°	704.097.0	2	0.037 kg
	Plastic grey		B - A - C	B = 42°, C = 42°	704.098.0	1	0.034 kg
	Aluminium natural anodized		B - A - C	B = 42°, C = 42°	704.099.0	1	0.037 kg

Switching action : A = Rest, B = Momentary, C = Maintain

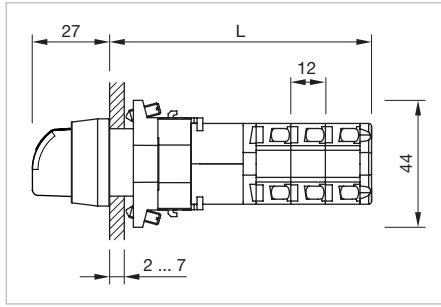
			
Wiring diagram 1	Wiring diagram 2	Wiring diagram 3	Wiring diagram 4

04 Raised design

Selector rotary switch short lever rounded, IP65



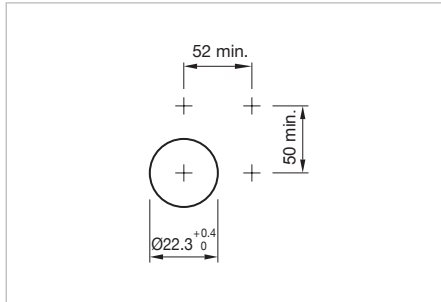
Product can differ from the current configuration.



Dimensions [mm]
 $L = (\text{Number of stages} \times 12) + 54.5 \text{ mm}$

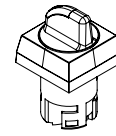
Additional Information

- The colour of anodized aluminium parts can vary due to technical production reasons
- In combination with the switching elements K&N, the selector switch can not be illuminated

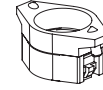


Mounting cut-outs [mm]

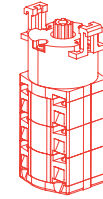
Equipment consisting of (schematic overview)



Actuator



Bayonet flange



Switching element [page 142](#)

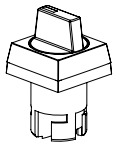
Each Part Number listed below includes all the black components shown in the 3D-drawing.

To obtain a complete unit, please select the red components from the pages shown.

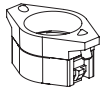
Lever	Front ring	Front bezel	Switching positions	Part No.	Weight
	Selector rotary switch actuator, short lever rounded, Front dimension 30 x 30 mm				
Plastic black		Plastic grey	Rest = 9 o'clock	704.510.1KNI	0.045 kg
	Selector rotary switch actuator, short lever rounded, Front dimension Ø 29 mm				
Plastic black	Aluminium natural anodized		Rest = 9 o'clock	704.411.1KNI	0.045 kg

Selector rotary switch short lever, IP65

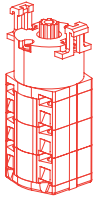
Equipment consisting of (schematic overview)



Actuator

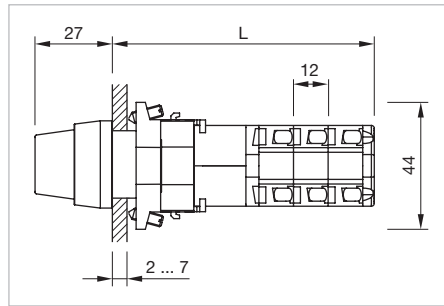


Bayonet flange

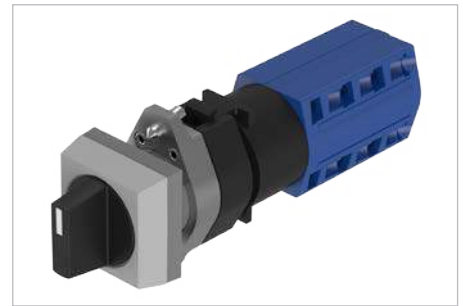


Switching element

page 142



Dimensions [mm]
 $L = (\text{Anzahl Fluchten} \times 12) + 54.5 \text{ mm}$



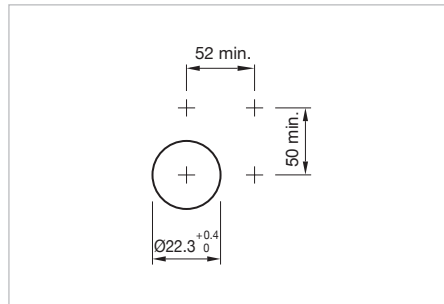
Product can differ from the current configuration.

Additional Information

- The colour of anodized aluminium parts can vary due to technical production reasons

Each Part Number listed below includes all the black components shown in the 3D-drawing.

To obtain a complete unit, please select the red components from the pages shown.

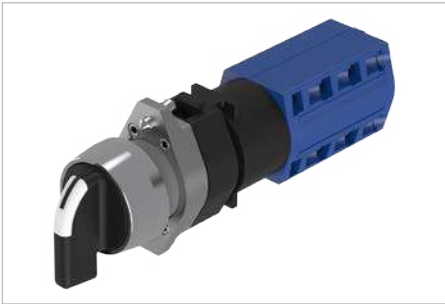


Mounting cut-outs [mm]

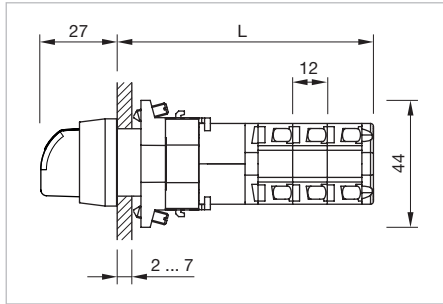
Lever	Front ring	Front bezel	Switching positions	Part No.	Weight
	Selector rotary switch actuator, short lever, Front dimension 30 x 30 mm				
Plastic black		Plastic grey	Rest = 9 o'clock	704.510.1KN	0.045 kg
	Selector rotary switch actuator, short lever, Front dimension Ø 29 mm				
Plastic black	Aluminium natural anodized		Rest = 9 o'clock	704.411.1KN	0.045 kg

04 Raised design

Selector rotary switch long lever rounded, IP65



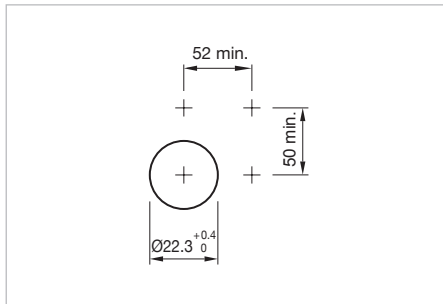
Product can differ from the current configuration.



Dimensions [mm]
 $L = (\text{Number of stages} \times 12) + 54.5 \text{ mm}$

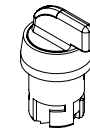
Additional Information

- The colour of anodized aluminium parts can vary due to technical production reasons
- In combination with the switching elements K&N, the selector switch can not be illuminated

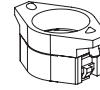


Mounting cut-outs [mm]

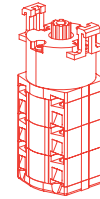
Equipment consisting of (schematic overview)



Actuator



Bayonet flange



Switching element [page 142](#)

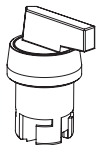
Each Part Number listed below includes all the black components shown in the 3D-drawing.

To obtain a complete unit, please select the red components from the pages shown.

Lever	Front ring	Front bezel	Switching positions	Part No.	Weight
	Rotary selector switch actuator, long lever rounded, Front dimension 30 x 30 mm				
Plastic black		Plastic grey	Rest = 9 o'clock	704.300.1KNI	0.045 kg
	Rotary selector switch actuator, long lever rounded, Front dimension Ø 29 mm				
Plastic black	Aluminium natural anodized		Rest = 9 o'clock	704.101.1KNI	0.045 kg

Selector rotary switch long lever, IP65

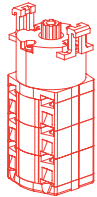
Equipment consisting of (schematic overview)



Actuator



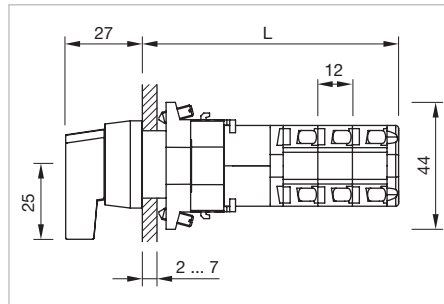
Bayonet flange



Switching element *page 142*

Each Part Number listed below includes all the black components shown in the 3D-drawing.

To obtain a complete unit, please select the red components from the pages shown.



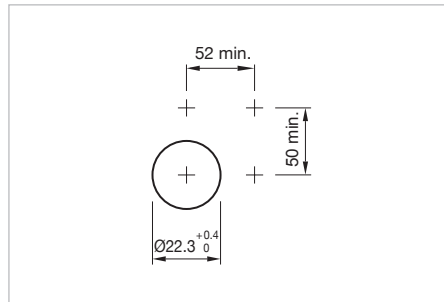
Dimensions [mm]
 $L = (\text{Anzahl Fluchten} \times 12) + 54.5 \text{ mm}$



Product can differ from the current configuration.

Additional Information

- The colour of anodized aluminium parts can vary due to technical production reasons

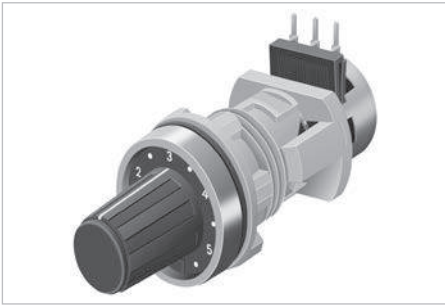


Mounting cut-outs [mm]

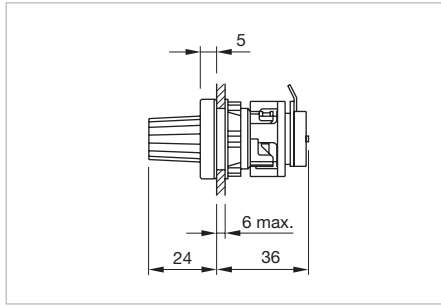
Lever	Front ring	Front bezel	Switching positions	Part No.	Weight
Rotary selector switch actuator, long lever, Front dimension 30 x 30 mm					
Plastic black		Plastic grey	Rest = 9 o'clock	704.300.1KN	0.045 kg
Rotary selector switch actuator, long lever, Front dimension Ø 29 mm					
Plastic black	Aluminium natural anodized		Rest = 9 o'clock	704.101.1KN	0.045 kg
			Rest = 12 o'clock	704.101.0KN	0.045 kg

04 Raised design

Potentiometer, IP 65

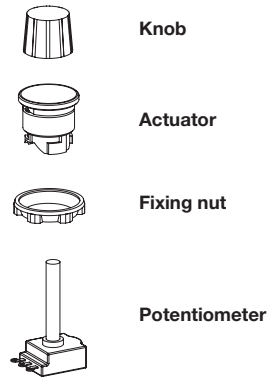


Product can differ from the current configuration.



Dimensions [mm]

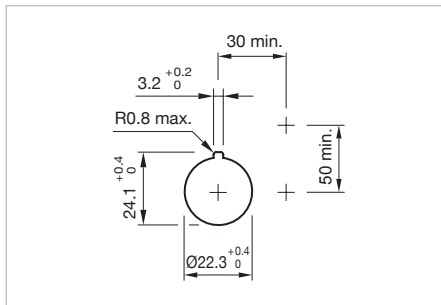
Equipment consisting of (schematic overview)




Each Part Number listed below includes all the black components shown in the 3D-drawing.

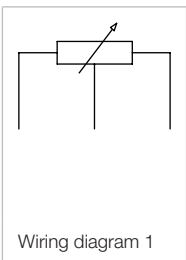
Additional Information

- Resistor 10 kOhm / linear, series E3
- Power 0.4 W
- Slewing range 300°



Mounting cut-outs [mm]

Product attribute	Front ring	Terminal	Part No.	Wiring diagram	Weight
 <p>Potentiometer, Front dimension Ø 28 mm</p>	Plastic matt chrome	Solder	44-745.20-10K1	1	0.03 kg
	Plastic matt grey	Solder	44-745.60-10K1	1	0.03 kg
without potentiometer, specification for potentiometer: Shaft = length 32 mm, shaft end = Form A, Ø = 6 mm	Plastic matt chrome	Solder	44-744.20		0.016 kg
	Plastic matt grey	Solder	44-744.60		0.016 kg

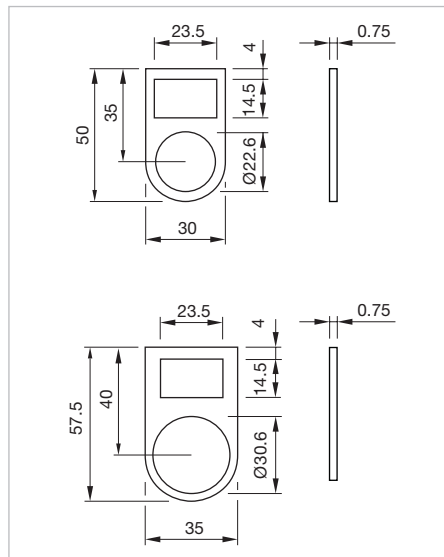


Front


Legend frame

Additional Information

- The colour of anodized aluminium parts can vary due to technical production reasons




Dimensions [mm]

Product attribute	Dimension	Material	Colour	Mounting type	Part No.	Weight
	Legend frame					
for raised design	30 x 50 x 0.75 mm	Aluminium	black anodized	adhesive	704.968.2	0.001 kg
for flush design	35 x 57.5 x 0.75 mm	Aluminium	black anodized	adhesive	704.968.3	0.001 kg

Legend plate

Additional Information

- The colour of anodized aluminium parts can vary due to technical production reasons


Dimension	Material	Colour	Mounting type	Part No.	Weight
	Legend plate for legend frame				
14.5 x 23.5 mm	Aluminium	natural anodized	adhesive	704.968.0	0.001 kg
		black anodized	adhesive	704.968.1	0.001 kg

04 Accessories

Legend plate flush design

Additional Information



- For devices square with flush design
- The colour of anodized aluminium parts can vary due to technical production reasons

Dimension	Material	Colour	Mounting type	Part No.	Weight
 <p>Legend plate for flush design</p>					
18 x 35 mm	Aluminium	natural anodized	adhesive	704.968.4	0.001 kg
		black anodized	adhesive	704.968.5	0.001 kg

Legend plate rotary switch


Additional Information

- The colour of anodized aluminium parts can vary due to technical production reasons

Product attribute	Dimension	Material	Colour	Mounting type	Part No.	Weight
 <p>Legend plate for rotary selector switch</p>						
for raised design Ø 29 mm	48 x 48 mm	Aluminium	black anodized	adhesive	704.968.10	0.003 kg
for flush design Ø 35 mm	48 x 48 mm	Aluminium	black anodized	adhesive	704.968.11	0.003 kg
 <p>Legend plate for rotary selector switch</p>						
for raised design Ø 29 mm	48 x 60 mm	Aluminium	black anodized	adhesive	704.968.12	0.004 kg



Lens plastic square

- Druckhauben sind für quadratische Geräte in erhabener und flacher Bauform verwendbar

Product attribute	Dimension	Lens	Part No.	Weight
 <p>Lens plastic square</p>				
non-illuminative	24.4 x 24.4 mm	black opaque	704.702.0	0.001 kg
illuminative	24.4 x 24.4 mm	red transparent	704.702.2	0.001 kg
		yellow transparent	704.702.4	0.001 kg
		green transparent	704.702.5	0.001 kg
		blue transparent	704.702.6	0.001 kg
		colourless transparent	704.702.7	0.001 kg
non-illuminative	24.4 x 24.4 mm	white opaque	704.702.9	0.001 kg


Lens plastic round flat

- Lenses are usable for square devices in raised design and flush design

Product attribute	Dimension	Lens	Symbol	Part No.	Weight
 <p>Lens plastic round flat</p>					
non-illuminative	Ø 23.7 mm	black opaque		704.602.0	0.001 kg
illuminative	Ø 23.7 mm	red transparent		704.602.2	0.001 kg
		orange transparent		704.602.3	0.001 kg
		yellow transparent		704.602.4	0.001 kg
		green transparent		704.602.5	0.001 kg
		blue transparent		704.602.6	0.001 kg
		colourless transparent		704.602.7	0.001 kg
 <p>Lens plastic round flat</p>					
illuminative	Ø 23.7 mm	colourless transparent	Ring	704.602.7A01	0.001 kg


04 Accessories

Lens plastic round increased

Product attribute	Dimension	Lens	Part No.	Weight
 <p>Lens plastic round increased</p>	Ø 23.7 mm	red transparent	704.611.2	0.002 kg
		yellow transparent	704.611.4	0.002 kg
		green transparent	704.611.5	0.002 kg
		blue transparent	704.611.6	0.002 kg
		colourless transparent	704.611.7	0.002 kg
		illuminative		


Lens metal round

- The colour of anodized aluminium parts can vary due to technical production reasons


Product attribute	Dimension	Lens	Part No.	Weight
 <p>Lens metal round</p>	Ø 23.7 mm	Aluminium black anodized	704.601.0	0.001 kg
		Aluminium red anodized	704.601.2	0.001 kg
		Aluminium gold anodized	704.601.4	0.001 kg
		Aluminium olive-green anodized	704.601.5	0.001 kg
		Aluminium blue anodized	704.601.6	0.001 kg
		Aluminium natural anodized	704.601.8	0.001 kg
		Stainless-steel natural 304	704.601.9	0.001 kg
		Stainless-steel natural 316	704.601.10	0.001 kg
		non-illuminative		

Lens metal spot round


- The colour of anodized aluminium parts can vary due to technical production reasons

Product attribute	Dimension	Lens	Part No.	Weight
 <p>Lens metal with spot round</p>	Ø 23.7 mm	Aluminium black anodized	704.601.01	0.001 kg
		Aluminium red anodized	704.601.21	0.001 kg
		Aluminium gold anodized	704.601.41	0.001 kg
		Aluminium olive-green anodized	704.601.51	0.001 kg
		Aluminium blue anodized	704.601.61	0.001 kg
		Aluminium natural anodized	704.601.81	0.001 kg
		Stainless-steel 304 natural	704.601.91	0.001 kg
		Stainless-steel 316 natural	704.601.101	0.001 kg
		illuminative		

Lens holder square


Product attribute	Marking plate illumination	Marking plate	Part No.	Weight
 <p>Lens holder for lens square</p>	LED	colourless transparent	704.709.7	0.003 kg
	can be marked	LED	white translucent	704.709.9

Lens cap round



Lens cap	Part No.	Weight
 <p>Lens cap round, 29 mm</p>	704.603.2	0.003 kg
	704.603.4	0.003 kg
	704.603.5	0.003 kg
	704.603.6	0.003 kg
	704.603.7	0.003 kg
	Plastic red	
Plastic yellow		
Plastic green		
Plastic blue		
Plastic colourless		

04 Accessories





Lens cap square

Lens cap	Part No.	Weight
 <p>Lens cap square, 30 x 30 mm</p>		
Plastic red	704.703.2	0.003 kg
Plastic yellow	704.703.4	0.003 kg
Plastic green	704.703.5	0.003 kg
Plastic blue	704.703.6	0.003 kg
Plastic colourless	704.703.7	0.003 kg



Marking foil square

Product attribute	Material	Colour	Optics	Part No.	Weight
 <p>Marking foil for lens cap square, front illumination, 21 x 21 mm</p>					
can be hot stamped	Plastic	colourless	transparent	704.707.7	0.001 kg
 <p>Marking foil for lens cap square, full face illumination 24 x 24 mm</p>					
can be hot stamped	Plastic	colourless	transparent	704.706.7	0.001 kg

Marking plate round flat



Marking plate illumination	Marking plate	Part No.	Weight
	Marking plate for lens round flat		
non-illuminative	black opaque	704.609.0	0.001 kg
	Marking plate for lens round flat		
LED	colourless transparent ripped	704.609.7	0.001 kg
	Marking plate for lens round flat		
LED and filament lamp	white translucent	704.609.9	0.001 kg
	Marking plate for lens round flat		
Halo illumination	white translucent	704.609.9A01	0.001 kg

Marking cap round encreased


Marking cap illumination	Marking cap	Part No.	Weight
	Marking cap for lens round encreased		
LED	colourless transparent ripped	704.610.7	0.001 kg
	Marking cap for lens round encreased		
LED and filament lamp	white translucent	704.610.9	0.001 kg

04 Accessories

Marking cap lens cap round


Marking cap illumination	Marking cap	Part No.	Weight
	Marking cap for lens cap round		
LED	colourless transparent ripped	704.608.7	0.002 kg
	Marking cap for lens cap round		
LED and filament lamp	white translucent	704.608.9	0.002 kg

Diffusor cap lens cap round


Product attribute	Diffusor cap	Part No.	Weight
	Diffusor cap for lens cap square		
	colourless transparent	704.708.7	0.004 kg
can be marked	white translucent	704.708.9	0.004 kg

Front bezel set flush design

- The colour of anodized aluminium parts can vary due to technical production reasons

Mounting cut-out	Front ring	Part No.	Weight
	Front bezel set for indicator and pushbutton, flush design round, 35 mm		
Ø 30.5 mm	Aluminium black anodized	704.955.0	0.015 kg
	Aluminium natural anodized	704.955.1	0.015 kg
	Stainless-steel 304 natural	704.955.9	0.033 kg
	Stainless-steel 316 natural	704.955.10	0.033 kg


Front bezel square

Front bezel	Part No.	Weight
 <p>Front bezel raised square, 30 x 30 mm</p>		
Plastic black	704.701.0	0.002 kg
Plastic chrome	704.701.4	0.002 kg
Plastic grey	704.701.6	0.002 kg

Front bezel set protective mem. , IP 67

Additional Information


- The colour of anodized aluminium parts can vary due to technical production reasons
- For pushbutton and illuminated pushbutton for IP 67 front protection
- Front ring to be mounted with a torque of 40 Ncm onto actuator

Product attribute	Dimension	Front ring	Part No.	Weight
 <p>Front bezel set with protective membrane, flush design</p>				
with transparent silicone membrane	Ø 35 mm	Aluminium natural anodized	704.955.3	0.015 kg
		Aluminium black anodized	704.955.4	0.015 kg
with transparent silicone membrane, resistant to sea water	Ø 35 mm	Stainless-steel 316 natural	704.955.9E	0.033 kg

04 Accessories

Front ring


- The colour of anodized aluminium parts can vary due to technical production reasons

Product attribute	Front ring	Part No.	Weight
 <p>Front ring raised round, 29 mm</p>	Plastic black	704.600.0	0.003 kg
	Plastic grey	704.600.6	0.003 kg
	Aluminium natural anodized	704.600.1	0.005 kg
	Aluminium black anodized	704.600.1A	0.005 kg
	Stainless-steel natural	704.600.9	0.006 kg
	16 mm high	Plastic grey	704.600.7

Front protective cap, IP 68

Additional Information


- For indicator, pushbutton and illuminated pushbutton for protection IP 68

Product attribute	Material	Colour	Optics	Part No.	Weight
 <p>Front protective cap raised</p>	Silicone	colourless	transparent	704.953.0	0.002 kg

Front protective ring, IP 67

Additional Information

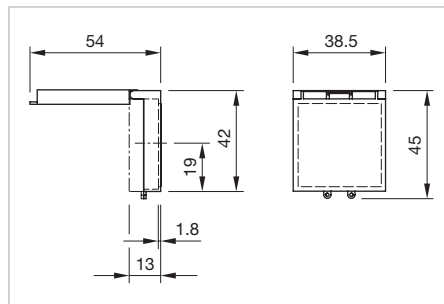
- For pushbutton and illuminated pushbutton with front illumination (IP 67)
- Front protective ring to be mounted with a torque of 40 Ncm onto actuator
- The colour of anodized aluminium parts can vary due to technical production reasons

Product attribute	Material	Colour	Part No.	Weight	
 <p>Front protective ring raised</p>					
	with transparent silicone membrane (extent resistant to sea water), temperature resistance -40 °C ... +85 °C	Brass	chrome	704.600.2	0.005 kg
		Aluminium	natural anodized	704.600.3	0.005 kg
with transparent Pebax membrane, temperature resistance -40 °C ... +85 °C	Aluminium	natural anodized	704.600.5/A	0.005 kg	



Protective cover sq. flush des., IP 67

Additional Information

- Hinged
- Front panel thickness reduces by 2 mm
- Please note that bigger minimum distances are necessary



Dimensions [mm]

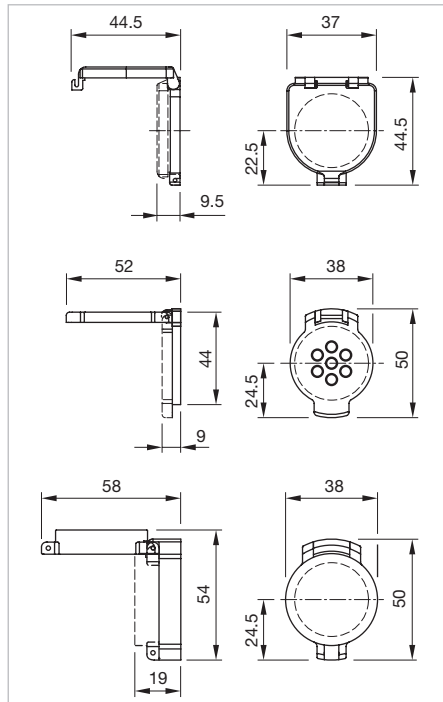
Product attribute	Dimension	Material	Optics	Part No.	Weight
 <p>Protective cover square, flush design</p>					
	with means for sealing, for pushbutton with mounting cut-out 30 x 30 mm	38.5 x 45 mm	Plastic	transparent	704.925.8
 <p>Protective cover square, flush design</p>					
	with means for sealing, for selector switch with mounting cut-out 30 x 30 mm	38.5 x 45 mm	Plastic	transparent	704.925.9

04 Accessories





Protective cover rd. flush des., IP65

Additional Information

- Hinged
- Front panel thickness reduces by 2 mm
- The dimensions of the mounting cut-outs are shown in the product details
- Please note that bigger minimum distances are necessary
- The colour of anodized aluminium parts can vary due to technical production reasons



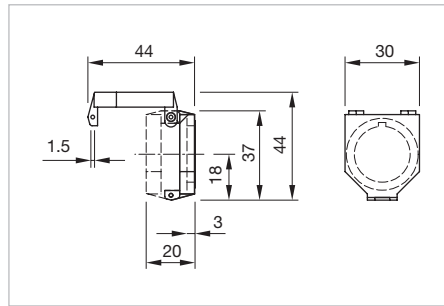
Dimensions [mm]

Product attribute	Dimension	Material	Colour	Optics	Part No.	Weight
 <p>Protective cover round, flush design</p> <p>with means for sealing, for pushbutton with mounting cut-out Ø 30.5 mm</p>	37 x 44.5 mm	Plastic	colourless	transparent	704.925.7	0.006 kg
 <p>Protective cover round, flush design</p> <p>not with means for sealing, with spring fitted, with window, for pushbutton with mounting cut-out Ø 30.5 mm</p>	38 x 50 mm	Aluminium	natural anodized		704.928.18	0.019 kg
 <p>Protective cover round, flush design</p> <p>with means for sealing, for pushbutton and selector switch with mounting cut-out Ø 30.5 mm, short lever</p>	38 x 50 mm	Aluminium	natural anodized		704.928.28	0.019 kg
 <p>Protective cover round, flush design</p> <p>with means for sealing, for pushbutton and selector switch with mounting cut-out Ø 30.5 mm, short lever</p>	38 x 50 mm	Aluminium	natural anodized		704.928.38	0.019 kg



Protective cover raised design, IP65

Additional Information

- Hinged, with means for sealing
- Protective cover Part-No. only for selector switch in basic position A applicable
- Front panel thickness reduces by 3 mm
- The dimensions of the mounting cut-outs are shown in the product details
- Please note that bigger minimum distances are necessary




Dimensions [mm]

Product attribute	Dimension	Material	Optics	Part No.	Weight
 <p>Protection cover round, raised design</p>					
for pushbutton with mounting cut-out Ø 22.5 mm	30 x 37 mm	Plastic	transparent	704.925.0	0.007 kg
with spring fitted, for pushbutton with mounting cut-out Ø 22.5 mm	30 x 37 mm	Plastic	transparent	704.925.3	0.007 kg
 <p>Protection cover round, raised design</p>					
for selector switch	Ø 22.5 mm	Plastic	transparent	704.925.2	0.007 kg

Spare key

Additional Information

- The standard lock Ronis 251
- Optional lock numbers on request

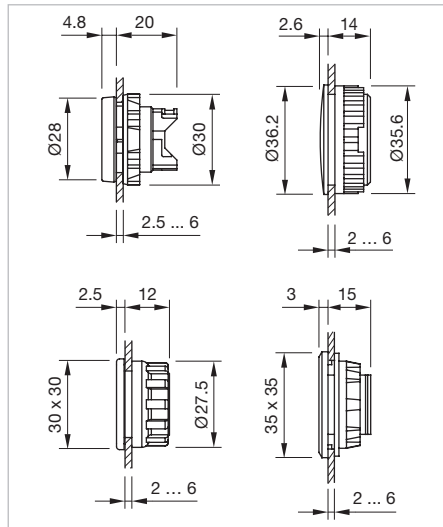
Product attribute	Part No.	Weight
 <p>Spare key</p>		
for keylock number 251, keylock type Ronis	704.989.251	0.006 kg

04 Accessories





Blind plug, IP65

Additional Information

- The dimensions of the mounting cut-outs are shown in the product details
- Please note that bigger minimum distances are necessary



Dimensions [mm]

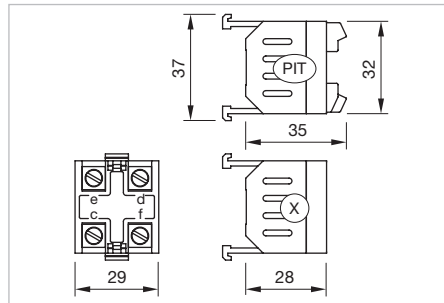
Dimension	Mounting cut-out	Material	Colour	Part No.	Weight
 Blind plug					
Ø 28 mm	Ø 22.5 mm	Plastic	black	704.960.4	0.004 kg
 Blind plug					
30 x 30 mm	Ø 22.5 mm	Plastic	black	704.964.7	0.009 kg
 Blind plug					
Ø 36 mm	Ø 30.5 mm	Plastic	black	704.964.8	0.007 kg
 Blind plug					
35 x 35 mm	30 x 30 mm	Plastic	black	704.964.9	0.009 kg

Rear side


Flasher element

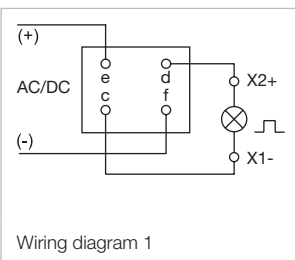
Additional Information

- Further information see «Technical data»



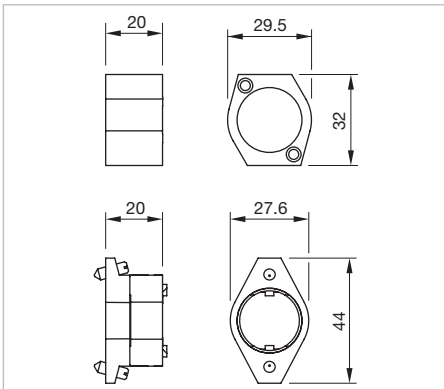
Dimensions [mm]
 PIT = Push-in terminal,
 X = Screw terminal

Product attribute	Operating voltage	Terminal	Part No.	Wiring diagram	Weight
					
Lamp voltage/-current 130 V, 20 mA	230 VAC ±6 %	Screw	704.943.0	1	0.024 kg
Lamp voltage/-current 60 V, 33 mA	115 VAC ±10 %	Screw	704.943.1	1	0.024 kg
Lamp voltage/-current 130 V, 3 mA	130 VDC ±10 %	Push-in Terminal	704.943.2P	1	0.021 kg
		Screw	704.943.2	1	0.024 kg
Lamp voltage/-current 24 V, 10 ... 85 mA	24 VDC ±15 %	Screw	704.943.5	1	0.024 kg





04 Accessories

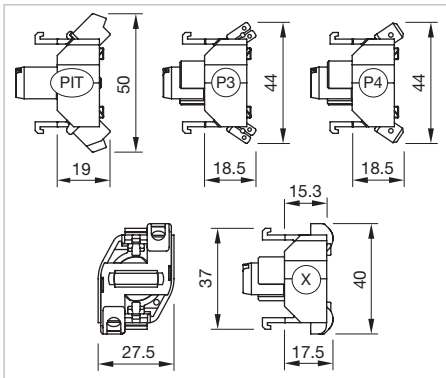
Bayonet flange




Dimensions [mm]

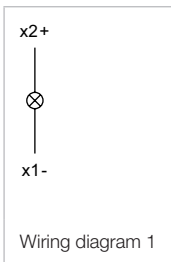
Material	Part No.	Weight
 <p>Bayonet flange (standard)</p>		
Plastic	704.950.5	0.015 kg
 <p>Bayonet flange</p>		
Metal	704.960.5	0.025 kg

Lamp block for selector switch 2 positions



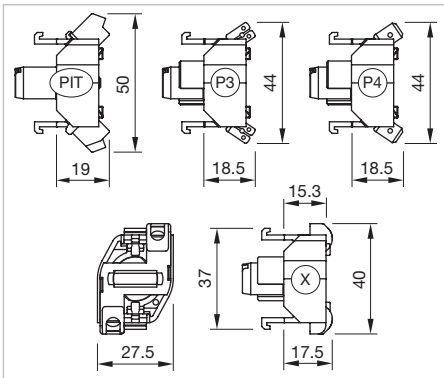
Dimensions [mm]
 PIT = Push-in terminal,
 P3 = Plug-in terminal 6.3 x 0.8 mm,
 P4 = Double plug-in terminal 6.3 x 0.8 mm,
 X = Screw terminal

Product attribute	Terminal	Part No.	Wiring diagram	Weight
	Screw	704.950.0	1	0.012 kg
	Plug 6.3 x 0.8 mm	704.950.1	1	0.012 kg
Terminals nickel plated and blank Cu/Sn	Double plug 6.3 x 0.8 mm	704.950.1/D	1	0.013 kg
	Push-in Terminal	704.950.3	1	0.014 kg
Terminals nickel plated Cu/Sn	Double plug 6.3 x 0.8 mm	704.950.2/D	1	0.013 kg
for ring cable shoe	Screw	704.950.0B	1	0.013 kg



04 Accessories

Lamp block for selector switch 3 positions




Dimensions [mm]

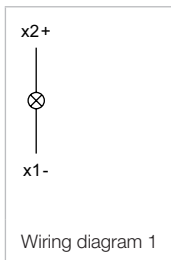
PIT = Push-in terminal,

P3 = Plug-in terminal 6.3 x 0.8 mm,

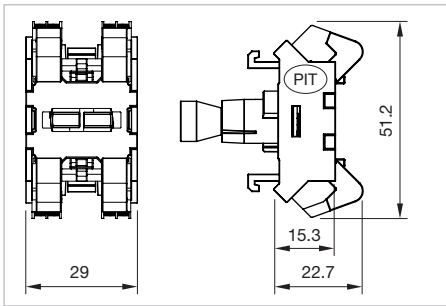
P4 = Double plug-in terminal 6.3 x 0.8 mm,

X = Screw terminal


Product attribute	Terminal	Part No.	Wiring diagram	Weight
	Screw	704.951.0	1	0.012 kg
	Plug 6.3 x 0.8 mm	704.951.1	1	0.012 kg
Terminals nickel plated and blank Cu/Sn	Double plug 6.3 x 0.8 mm	704.951.1/D	1	0.013 kg
	Push-in Terminal	704.951.3	1	0.014 kg



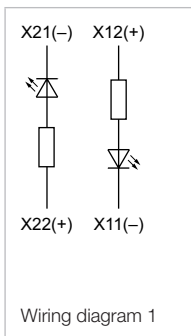
Dual lamp block



Dimensions [mm]
PIT = Push-in terminal

LED colour	Operating voltage	Operation current	Terminal	Part No.	Component layout	Wiring diagram	Weight
 Lamp block							
white/white	24 VDC -30%/+25%	8 mA	Push-in terminal	704.952.129.3	1	1	0.019 kg
	110 VDC -30%/+25%	8 mA	Push-in terminal	704.952.159.3	1	1	0.019 kg

The component layouts you will find from page 168

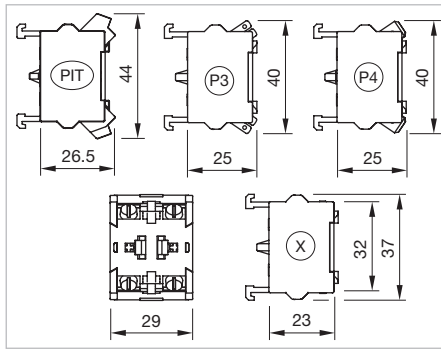


04 Accessories



Switching element





Additional Information

- For the third switching element the terminal marking insert is to be ordered separately





Dimensions [mm]
 PIT = Push-in terminal,
 P3 = Plug-in terminal 6.3 x 0.8 mm,
 P4 = Double plug-in terminal 6.3 x 0.8 mm,
 X = Screw terminal

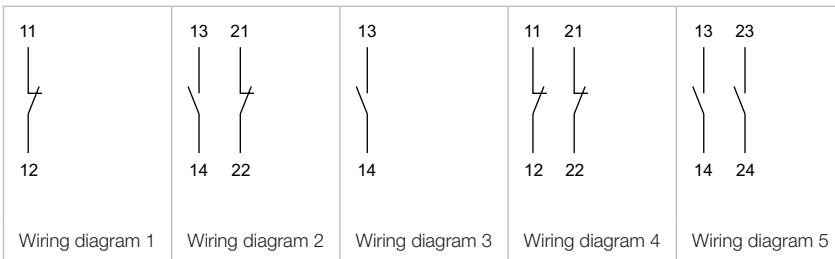
Switching voltage	Switching current	Switching system	Contacts	Contact material	Terminal	Part No.	Wiring diagram	Weight
 <p>Switching element</p>								
500 VAC	6 A	Snap-action switching element	1 NO	Gold	Push-in Terminal	704.907.1	3	0.020 kg
			1 NC	Gold	Push-in Terminal	704.907.2	1	0.020 kg
			2 NO	Gold	Push-in Terminal	704.907.3	5	0.027 kg
			2 NC	Gold	Push-in Terminal	704.907.4	4	0.027 kg
			1 NC + 1 NO	Gold	Push-in Terminal	704.907.5	2	0.027 kg
			1 NO	Silver	Push-in Terminal	704.908.1	3	0.020 kg
			1 NC	Silver	Push-in Terminal	704.908.2	1	0.020 kg
			2 NO	Silver	Push-in Terminal	704.908.3	5	0.027 kg
			2 NC	Silver	Push-in Terminal	704.908.4	4	0.027 kg
			1 NC + 1 NO	Silver	Push-in Terminal	704.908.5	2	0.027 kg
 <p>Switching element</p>								
500 VAC	6 A	Slow-make switching element	1 NO	Gold	Push-in Terminal	704.917.1	3	0.019 kg
			1 NC	Gold	Push-in Terminal	704.917.2	1	0.019 kg
			2 NO	Gold	Push-in Terminal	704.917.3	5	0.026 kg
			2 NC	Gold	Push-in Terminal	704.917.4	4	0.019 kg
			1 NC + 1 NO	Gold	Push-in Terminal	704.917.5	2	0.026 kg
			1 NO	Silver	Push-in Terminal	704.918.1	3	0.019 kg
			1 NC	Silver	Push-in Terminal	704.918.2	1	0.019 kg
			2 NO	Silver	Push-in Terminal	704.918.3	5	0.026 kg
			2 NC	Silver	Push-in Terminal	704.918.4	4	0.019 kg
			1 NC + 1 NO	Silver	Push-in Terminal	704.918.5	2	0.026 kg

Switching voltage	Switching current	Switching system	Contacts	Contact material	Terminal	Part No.	Wiring diagram	Weight
 <p>Switching element</p>								
500 VAC	6 A	Snap-action switching element	1 NO	Silver	Plug 6.3 x 0.8 mm	704.905.1	3	0.021 kg
			1 NC	Silver	Plug 6.3 x 0.8 mm	704.905.2	1	0.021 kg
			2 NO	Silver	Plug 6.3 x 0.8 mm	704.905.3	5	0.028 kg
			2 NC	Silver	Plug 6.3 x 0.8 mm	704.905.4	4	0.028 kg
			1 NC + 1 NO	Silver	Plug 6.3 x 0.8 mm	704.905.5	2	0.028 kg
 <p>Switching element</p>								
500 VAC	6 A	Slow-make switching element	1 NO	Silver	Plug 6.3 x 0.8 mm	704.915.1	3	0.021 kg
			1 NC	Silver	Plug 6.3 x 0.8 mm	704.915.2	1	0.021 kg
			2 NO	Silver	Plug 6.3 x 0.8 mm	704.915.3	5	0.028 kg
			2 NC	Silver	Plug 6.3 x 0.8 mm	704.915.4	4	0.028 kg
			1 NC + 1 NO	Silver	Plug 6.3 x 0.8 mm	704.915.5	2	0.028 kg
 <p>Switching element</p>								
500 VAC	6 A	Snap-action switching element	1 NO	Gold	Double plug 6.3 x 0.8 mm	704.901.1/D	3	0.026 kg
			1 NC	Gold	Double plug 6.3 x 0.8 mm	704.901.2/D	1	0.026 kg
			2 NO	Gold	Double plug 6.3 x 0.8 mm	704.901.3/D	5	0.033 kg
			2 NC	Gold	Double plug 6.3 x 0.8 mm	704.901.4/D	4	0.033 kg
			1 NC + 1 NO	Gold	Double plug 6.3 x 0.8 mm	704.901.5/D	2	0.033 kg
			1 NO	Silver	Double plug 6.3 x 0.8 mm	704.905.1/D	3	0.026 kg
			1 NC	Silver	Double plug 6.3 x 0.8 mm	704.905.2/D	1	0.026 kg
			2 NO	Silver	Double plug 6.3 x 0.8 mm	704.905.3/D	5	0.033 kg
			2 NC	Silver	Double plug 6.3 x 0.8 mm	704.905.4/D	4	0.033 kg
			1 NC + 1 NO	Silver	Double plug 6.3 x 0.8 mm	704.905.5/D	2	0.033 kg
 <p>Switching element</p>								
500 VAC	6 A	Slow-make switching element	1 NO	Silver	Double plug 6.3 x 0.8 mm	704.915.1/D	3	0.025 kg
			1 NC	Silver	Double plug 6.3 x 0.8 mm	704.915.2/D	1	0.025 kg
			2 NO	Silver	Double plug 6.3 x 0.8 mm	704.915.3/D	5	0.032 kg
			2 NC	Silver	Double plug 6.3 x 0.8 mm	704.915.4/D	4	0.032 kg
			1 NC + 1 NO	Silver	Double plug 6.3 x 0.8 mm	704.915.5/D	2	0.032 kg

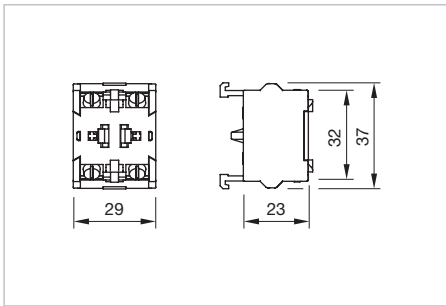
04 Accessories

Switching voltage	Switching current	Switching system	Contacts	Contact material	Terminal	Part No.	Wiring diagram	Weight
 <p>Switching element</p>								
500 VAC	10 A	Snap-action switching element	1 NO	Gold	Screw	704.901.1	3	0.021 kg
			1 NC	Gold	Screw	704.901.2	1	0.021 kg
			2 NO	Gold	Screw	704.901.3	5	0.028 kg
			2 NC	Gold	Screw	704.901.4	4	0.028 kg
			1 NC + 1 NO	Gold	Screw	704.901.5	2	0.028 kg
			1 NO	Silver	Screw	704.900.1	3	0.021 kg
			1 NC	Silver	Screw	704.900.2	1	0.021 kg
			2 NO	Silver	Screw	704.900.3	5	0.028 kg
			2 NC	Silver	Screw	704.900.4	4	0.028 kg
			1 NC + 1 NO	Silver	Screw	704.900.5	2	0.028 kg
			1 NO	Palladium	Screw	704.902.1	3	0.021 kg
			1 NC	Palladium	Screw	704.902.2	1	0.021 kg
			2 NO	Palladium	Screw	704.902.3	5	0.028 kg
			2 NC	Palladium	Screw	704.902.4	4	0.028 kg
1 NC + 1 NO	Palladium	Screw	704.902.5	2	0.028 kg			
 <p>Switching element</p>								
500 VAC	10 A	Slow-make switching element	1 NO	Gold	Screw	704.911.1	3	0.021 kg
			1 NC	Gold	Screw	704.911.2	1	0.021 kg
			2 NO	Gold	Screw	704.911.3	5	0.028 kg
			2 NC	Gold	Screw	704.911.4	4	0.028 kg
			1 NC + 1 NO	Gold	Screw	704.911.5	2	0.028 kg
			1 NO	Silver	Screw	704.910.1	3	0.021 kg
			1 NC	Silver	Screw	704.910.2	1	0.021 kg
			2 NO	Silver	Screw	704.910.3	5	0.028 kg
			2 NC	Silver	Screw	704.910.4	4	0.028 kg
			1 NC + 1 NO	Silver	Screw	704.910.5	2	0.028 kg
			1 NO	Palladium	Screw	704.912.1	3	0.021 kg
			2 NO	Palladium	Screw	704.912.3	5	0.028 kg
			2 NC	Palladium	Screw	704.912.4	4	0.028 kg
			1 NC + 1 NO	Palladium	Screw	704.912.5	2	0.028 kg



Contacts: NC = Normally closed, NO = Normally open



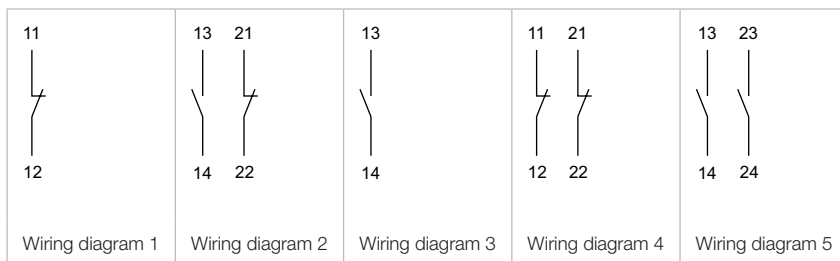
Switching element ring cable shoe



Dimensions [mm]

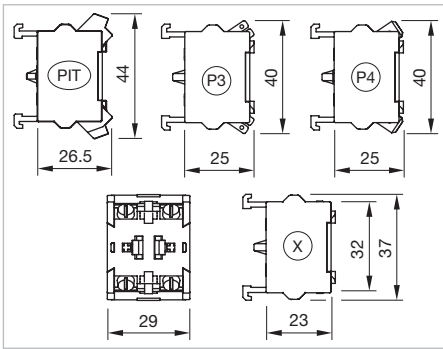
Switching voltage	Switching current	Switching system	Contacts	Contact material	Terminal	Part No.	Wiring diagram	Weight
 <p>Switching element for ring cable shoe</p>								
500 VAC	10 A	Snap-action switching element	1 NO	Silver	Screw	704.900.1B	3	0.021 kg
			1 NC	Silver	Screw	704.900.2B	1	0.021 kg
			2 NO	Silver	Screw	704.900.3B	5	0.028 kg
			2 NC	Silver	Screw	704.900.4B	4	0.028 kg
			1 NC + 1 NO	Silver	Screw	704.900.5B	2	0.028 kg
 <p>Switching element for ring cable shoe</p>								
500 VAC	10 A	Slow-make switching element	2 NO	Gold	Screw	704.911.3B	5	0.028 kg
			2 NC	Gold	Screw	704.911.4B	4	0.028 kg
			1 NC + 1 NO	Gold	Screw	704.911.5B	2	0.028 kg
			1 NO	Silver	Screw	704.910.1B	3	0.021 kg
			1 NC	Silver	Screw	704.910.2B	1	0.021 kg
			2 NO	Silver	Screw	704.910.3B	5	0.028 kg
			2 NC	Silver	Screw	704.910.4B	4	0.028 kg
			1 NC + 1 NO	Silver	Screw	704.910.5B	2	0.028 kg

Contacts: NC = Normally closed, NO = Normally open



04 Accessories

Switching element E-stop





Dimensions [mm]



PIT = Push-in terminal,

P3 = Plug-in terminal 6.3 x 0.8 mm,

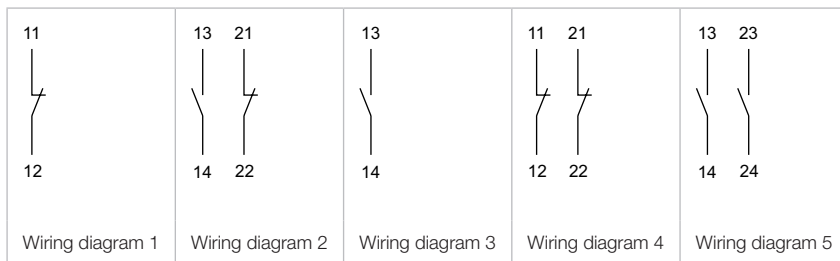
P4 = Double plug-in terminal 6.3 x 0.8 mm,

X = Screw terminal

Switching voltage	Switching current	Switching system	Contacts	Contact material	Terminal	Part No.	Wiring diagram	Weight
 <p>Switching element for emergency-stop switch</p>								
250 VAC	6 A	Slow-make switching element	1 NO	Gold	Push-in Terminal	704.917.1	3	0.019 kg
			1 NC	Gold	Push-in Terminal	704.917.2	1	0.019 kg
			2 NO	Gold	Push-in Terminal	704.917.3	5	0.026 kg
			2 NC	Gold	Push-in Terminal	704.917.4	4	0.019 kg
			1 NC + 1 NO	Gold	Push-in Terminal	704.917.5	2	0.026 kg
			1 NO	Silver	Push-in Terminal	704.918.1	3	0.019 kg
			1 NC	Silver	Push-in Terminal	704.918.2	1	0.019 kg
			2 NO	Silver	Push-in Terminal	704.918.3	5	0.026 kg
			2 NC	Silver	Push-in Terminal	704.918.4	4	0.019 kg
			1 NC + 1 NO	Silver	Push-in Terminal	704.918.5	2	0.026 kg
 <p>Switching element for emergency-stop switch</p>								
500 VAC	6 A	Slow-make switching element	1 NO	Silver	Plug 6.3 x 0.8 mm	704.915.1	3	0.021 kg
			1 NC	Silver	Plug 6.3 x 0.8 mm	704.915.2	1	0.021 kg
			2 NO	Silver	Plug 6.3 x 0.8 mm	704.915.3	5	0.028 kg
			2 NC	Silver	Plug 6.3 x 0.8 mm	704.915.4	4	0.028 kg
			1 NC + 1 NO	Silver	Plug 6.3 x 0.8 mm	704.915.5	2	0.028 kg

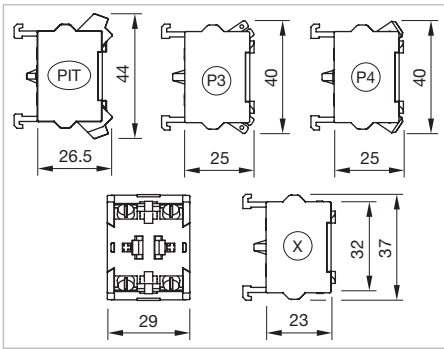
Switching voltage	Switching current	Switching system	Contacts	Contact material	Terminal	Part No.	Wiring diagram	Weight
 Switching element for emergency-stop switch								
500 VAC	6 A	Slow-make switching element	1 NO	Silver	Double plug 6.3 x 0.8 mm	704.915.1/D	3	0.025 kg
			1 NC	Silver	Double plug 6.3 x 0.8 mm	704.915.2/D	1	0.025 kg
			2 NO	Silver	Double plug 6.3 x 0.8 mm	704.915.3/D	5	0.032 kg
			2 NC	Silver	Double plug 6.3 x 0.8 mm	704.915.4/D	4	0.032 kg
			1 NC + 1 NO	Silver	Double plug 6.3 x 0.8 mm	704.915.5/D	2	0.032 kg
 Switching element for emergency-stop switch								
500 VAC	10 A	Slow-make switching element	1 NO	Gold	Screw	704.911.1	3	0.021 kg
			1 NC	Gold	Screw	704.911.2	1	0.021 kg
			2 NO	Gold	Screw	704.911.3	5	0.028 kg
			2 NC	Gold	Screw	704.911.4	4	0.028 kg
			1 NC + 1 NO	Gold	Screw	704.911.5	2	0.028 kg
			1 NO	Silver	Screw	704.910.1	3	0.021 kg
			1 NC	Silver	Screw	704.910.2	1	0.021 kg
			2 NO	Silver	Screw	704.910.3	5	0.028 kg
			2 NC	Silver	Screw	704.910.4	4	0.028 kg
			1 NC + 1 NO	Silver	Screw	704.910.5	2	0.028 kg
			1 NO	Palladium	Screw	704.912.1	3	0.021 kg
			2 NO	Palladium	Screw	704.912.3	5	0.028 kg
			2 NC	Palladium	Screw	704.912.4	4	0.028 kg
			1 NC + 1 NO	Palladium	Screw	704.912.5	2	0.028 kg

Contacts: NC = Normally closed, NO = Normally open



04 Accessories

Switching element failsafe







Dimensions [mm]


PIT = Push-in terminal,

P3 = Plug-in terminal 6.3 x 0.8 mm,

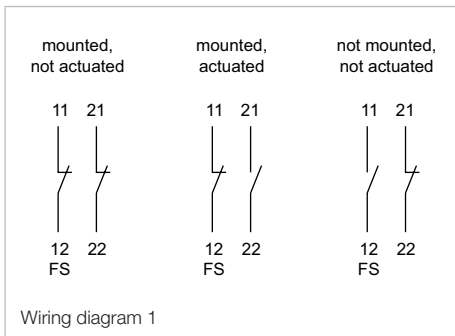
P4 = Double plug-in terminal 6.3 x 0.8 mm,

X = Screw terminal

Product attribute	Switching voltage	Switching current	Switching system	Contacts	Contact material	Terminal	Part No.	Wiring diagram	Weight
 <p>Switching element failsafe</p>	500 VAC	10 A	Slow-make switching element	1 NC + 1 FS	Silver	Screw	704.910.4FS	1	0.027 kg
					Gold	Screw	704.911.4FS	1	0.027 kg
 <p>Switching element failsafe</p>	500 VAC	10 A	Slow-make switching element	1 NC + 1 FS	Silver	Screw	704.910.4BFS	1	0.027 kg
					Gold	Screw	704.911.4BFS	1	0.027 kg
 <p>Switching element failsafe</p>	500 VAC	10 A	Slow-make switching element	1 NC + 1 FS	Silver	Plug-in connection	704.915.4FS	1	0.027 kg
					Gold	Double plug 6.3 x 0.8 mm	704.911.4/DFS	1	0.027 kg
 <p>Switching element failsafe</p>	500 VAC	10 A	Slow-make switching element	1 NC + 1 FS	Silver	Double plug 6.3 x 0.8 mm	704.915.4/DFS	1	0.027 kg
					Gold	Double plug 6.3 x 0.8 mm	704.911.4/DFS	1	0.027 kg

Product attribute	Switching voltage	Switching current	Switching system	Contacts	Contact material	Terminal	Part No.	Wiring diagram	Weight
 <p>Switching element failsafe</p>	500 VAC	10 A	Slow-make switching element	1 NC + 1 FS	Gold	Push-in Terminal	704.917.4FS	1	0.027 kg
					Silver	Push-in Terminal	704.918.4FS	1	0.027 kg


Contacts: NC = Normally closed, FS = Failsafe

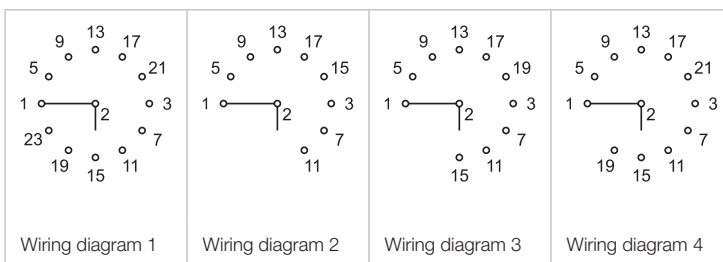


Rotary switching element 30°

Additional Information

- Switching positions and functions of the rotary switching element are being produced according to customer specifications. Please contact your local EAO Sales Office

Product attribute	Switching positions	Rotary positions	Multi-step switch	Stages	Terminal	Part No.	Wiring diagram	Weight
 <p>Rotary switching element 30°</p>	A = Rest, I = End	9	1 pole	5	Screw	704.8A236	2	0.073 kg
	A = Rest, K = End	20	1 pole	5	Screw	704.8A237	3	0.073 kg
	A = Rest, L = End	11	1 pole	6	Screw	704.8A238	4	0.082 kg
	A = Rest, M = End	12	1 pole	6	Screw	704.8A239	1	0.082 kg
without stop	A = Rest	12	1 pole	6	Screw	704.8A639	1	0.082 kg




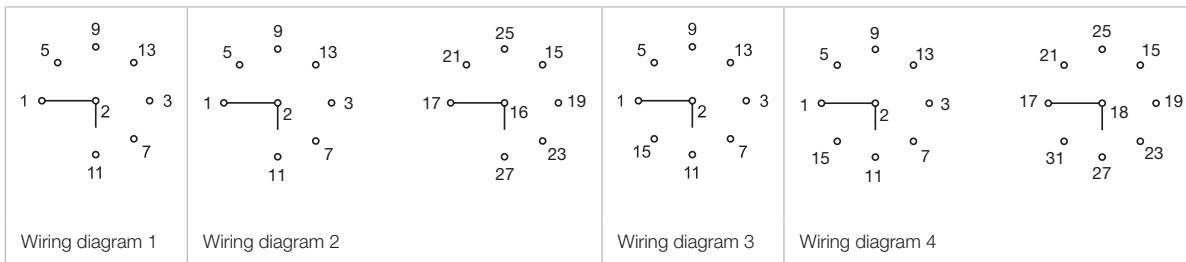
04 Accessories

Rotary switching element 45°

Additional Information

- Switching positions and functions of the rotary switching element are being produced according to customer specifications. Please contact your local EAO Sales Office


Switching positions	Rotary positions	Multi-step switch	Stages	Terminal	Part No.	Wiring diagram	Weight
 Rotary switching element 45°							
A = Rest, G = End	7	1 pole	4	Screw	704.8A234	1	0.064 kg
		2 pole	7	Screw	704.8A254	2	0.091 kg
A = Rest, H = End	8	1 pole	4	Screw	704.8A235	3	0.064 kg
		2 pole	8	Screw	704.8A255	4	0.100 kg

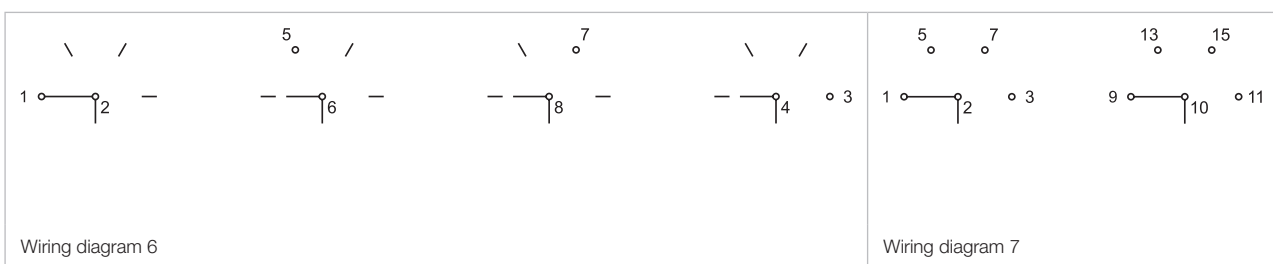
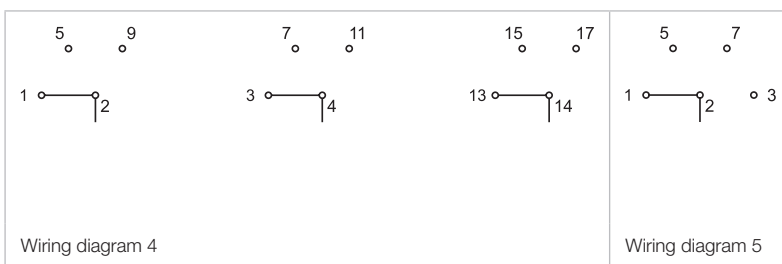
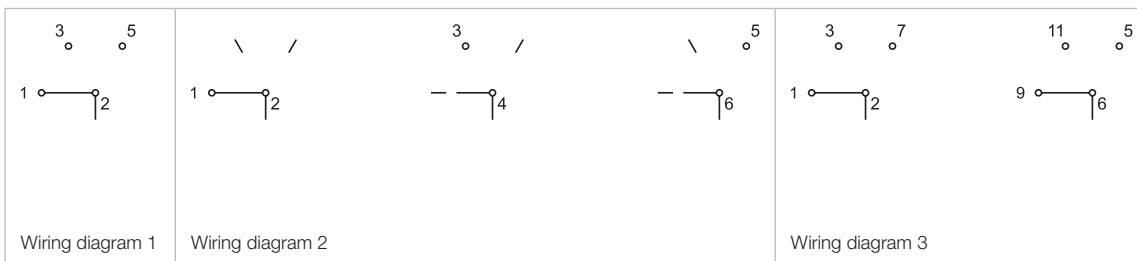


Rotary switching element 60°

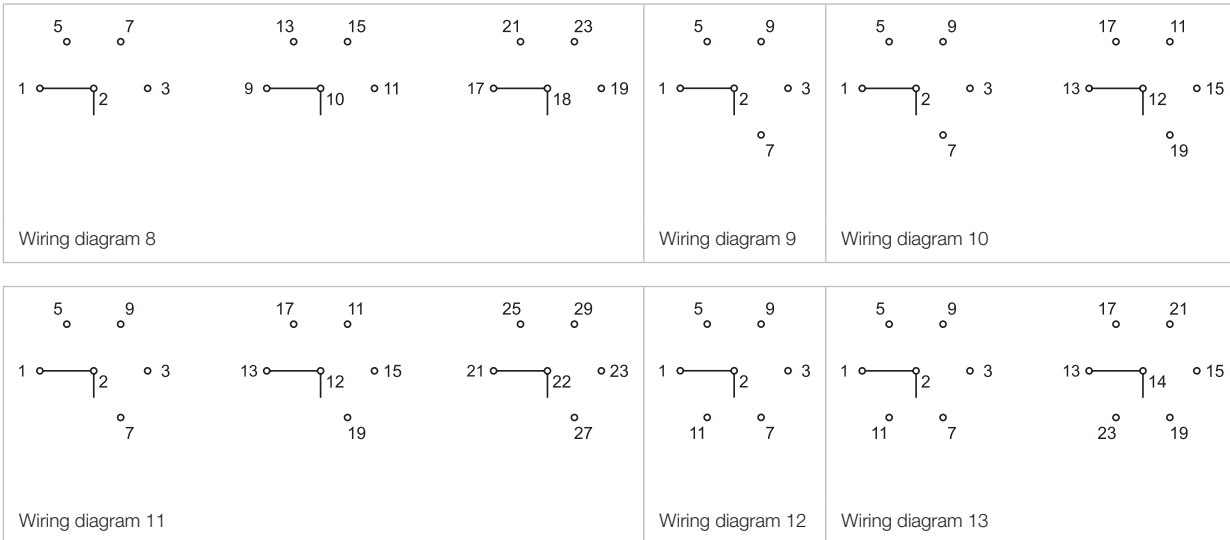
Additional Information

- Switching positions and functions of the rotary switching element are being produced according to customer specifications. Please contact your local EAO Sales Office

Switching positions	Rotary positions	Multi-step switch	Stages	Terminal	Part No.	Wiring diagram	Weight
 Rotary switching element 60°							
A = Rest, C = End	3	1 pole	2	Screw	704.8A230	1	0.046 kg
		1 pole, electrically isolated	2	Screw	704.8A730	2	0.046 kg
		2 pole	3	Screw	704.8A250	3	0.055 kg
		3 pole	5	Screw	704.8A270	4	0.073 kg
A = Rest, D = End	4	1 pole	2	Screw	704.8A231	5	0.046 kg
		1 pole, electrically isolated	2	Screw	704.8A731	6	0.046 kg
		2 pole	4	Screw	704.8A251	7	0.064 kg
		3 pole	6	Screw	704.8A271	8	0.082 kg
A = Rest, E = End	5	1 pole	3	Screw	704.8A232	9	0.055 kg
		2 pole	5	Screw	704.8A252	10	0.073 kg
		3 pole	8	Screw	704.8A272	11	0.100 kg
A = Rest, F = End	6	1 pole	3	Screw	704.8A233	12	0.055 kg
		2 pole	6	Screw	704.8A253	13	0.082 kg



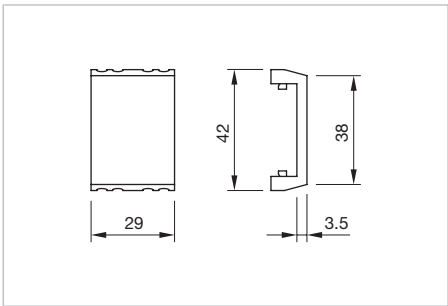
04 Accessories




Terminal cover

Additional Information


- For covering of screw terminal



Dimensions [mm]

Part No.	Weight
 <p>Terminal cover</p>	
704.964.5	0.003 kg


Terminal marking

Product attribute	Marking	Part No.	Weight
 <p style="text-align: center;">Terminal marking</p>			
2 NO for 1st or 2nd switching element	13/23 33/43	704.965.1	0.001 kg
	24/14 44/34	704.965.2	0.001 kg
2 NO for 3rd switching element	53/63 73/83	704.965.3	0.001 kg
	64/54 84/74	704.965.4	0.001 kg
2 NC for 1st or 2nd switching element	11/21 31/41	704.965.5	0.001 kg
	22/12 42/32	704.965.6	0.001 kg
2 NC for 3rd switching element	51/61 71/81	704.965.7	0.001 kg
	62/52 82/72	704.965.8	0.001 kg
1 NC + 1 NO for 1st or 2nd switching element	13/21 33/41	704.965.9	0.001 kg
	22/14 42/34	704.966.0	0.001 kg
1 NC + 1 NO for 3rd switching element	53/61 73/81	704.966.1	0.001 kg
	62/54 82/74	704.966.2	0.001 kg

Contacts: NC = Normally closed, NO = Normally open

Contact bridge**Additional Information**

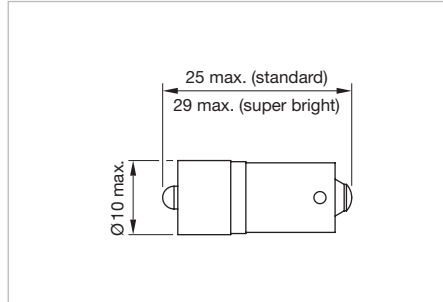
- For switching element with screw terminals
- Do not insert by Emergency-stop switches and by stop switches
- Available in unit of 10 pieces

Part No.	Weight
 <p style="text-align: center;">Contact bridge</p>	
704.990.1	0.001 kg

LED, BA9s


Additional Information

- The specified 6 VDC, 24 VDC Bi-colour; 130 VAC, 130 DC und 230 VAC versions are built with a protection diode
- The specified 12, 24, 28, 48 VAC/DC versions are built with a bridge rectifier
- The specified 130 VAC types are developed to run on a supply voltage of 130 VAC only. An operation at a higher supply voltage using commercial lampholders with integrated resistors, is not approved
- If the 24VDC Bi-colour lamp is driven with normal polarity (plus on middle contact of the lamp) the first mentioned colour will light up, with inverted polarity the second colour will light up
- Luminous intensity data of the LEDs on direct voltage
- Electrical and optical data are measured at 25 °C
- Luminosity and wave length variations caused by LED manufacturing processes may cause slight differences regarding the illumination



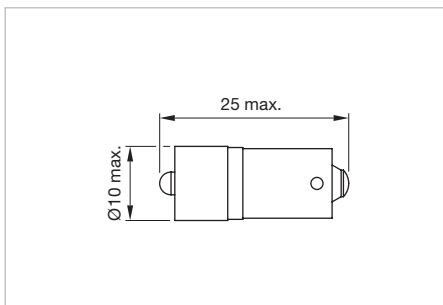
Dimensions [mm]

LED colour	Operating voltage	Operation current	Lumi. intensity	Dom. wavelength	Part No.	Weight
 <h4>Single-LED</h4>						
Single-LED red	6 VDC +10 %	17 mA ±15 %	400 mcd	630 nm	10-2506.1082	0.002 kg
	12 VAC/DC +10 %	16 mA ±15 %	390 mcd	630 nm	10-2509.1142	0.002 kg
	24 VAC/DC +10 %	15 mA ±15 %	350 mcd	630 nm	10-2512.1142	0.002 kg
	28 VAC/DC +10 %	13 mA ±15 %	300 mcd	630 nm	10-2513.1142	0.002 kg
	48 VAC/DC +10 %	8 mA ±15 %	200 mcd	630 nm	10-2519.1052	0.002 kg
	130 VDC +10 %	3 mA ±15 %	120 mcd	630 nm	10-2524.3042	0.002 kg
	130 VAC +10 %	5 mA ±15 %	180 mcd	630 nm	10-2H24.2052	0.002 kg
	230 VAC +10 %	3 mA ±15 %	120 mcd	630 nm	10-2H25.2042	0.002 kg
Single-LED yellow	6 VDC +10 %	17 mA ±15 %	340 mcd	587 nm	10-2506.1084	0.002 kg
	12 VAC/DC +10 %	16 mA ±15 %	340 mcd	587 nm	10-2509.1144	0.002 kg
	24 VAC/DC +10 %	15 mA ±15 %	300 mcd	587 nm	10-2512.1144	0.002 kg
	28 VAC/DC +10 %	13 mA ±15 %	270 mcd	587 nm	10-2513.1144	0.002 kg
	48 VAC/DC +10 %	8 mA ±15 %	180 mcd	587 nm	10-2519.1054	0.002 kg
	130 VDC +10 %	3 mA ±15 %	110 mcd	587 nm	10-2524.3044	0.002 kg
	130 VAC +10 %	5 mA ±15 %	160 mcd	587 nm	10-2H24.2054	0.002 kg
	230 VAC +10 %	3 mA ±15 %	110 mcd	587 nm	10-2H25.2044	0.002 kg
Single-LED green	6 VDC +10 %	7 mA ±15 %	1050 mcd	525 nm	10-2506.1085	0.002 kg
	12 VAC/DC +10 %	7 mA ±15 %	1050 mcd	525 nm	10-2509.1145	0.002 kg
	24 VAC/DC +10 %	7 mA ±15 %	1050 mcd	525 nm	10-2512.1145	0.002 kg
	28 VAC/DC +10 %	7 mA ±15 %	1050 mcd	525 nm	10-2513.1145	0.002 kg
	48 VAC/DC +10 %	4 mA ±15 %	600 mcd	525 nm	10-2519.1055	0.002 kg
	130 VDC +10 %	2 mA ±15 %	300 mcd	525 nm	10-2524.3045	0.002 kg
	130 VAC +10 %	3 mA ±15 %	450 mcd	525 nm	10-2H24.2055	0.002 kg
	230 VAC +10 %	2 mA ±15 %	300 mcd	525 nm	10-2H25.2045	0.002 kg

LED colour	Operating voltage	Operation current	Lumi. intensity	Dom. wavelength	Part No.	Weight
Single-LED blue	6 VDC +10 %	17 mA ±15 %	780 mcd	470 nm	10-2506.1086	0.002 kg
	12 VAC/DC +10 %	16 mA ±15 %	720 mcd	470 nm	10-2509.1146	0.002 kg
	24 VAC/DC +10 %	15 mA ±15 %	680 mcd	470 nm	10-2512.1146	0.002 kg
	28 VAC/DC +10 %	13 mA ±15 %	590 mcd	470 nm	10-2513.1146	0.002 kg
	48 VAC/DC +10 %	8 mA ±15 %	400 mcd	470 nm	10-2519.1056	0.002 kg
	130 VDC +10 %	3 mA ±15 %	200 mcd	470 nm	10-2524.3046	0.002 kg
	130 VAC +10 %	5 mA ±15 %	230 mcd	470 nm	10-2H24.2056	0.002 kg
	230 VAC +10 %	3 mA ±15 %	200 mcd	470 nm	10-2H25.2046	0.002 kg
Single-LED white	6 VDC +10 %	5 mA ±15 %	750 mcd	x0.31/y0.32 nm	10-2506.1089	0.002 kg
	12 VAC/DC +10 %	8 mA ±15 %	1200 mcd	x0.31/y0.32 nm	10-2509.1149	0.002 kg
	24 VAC/DC +10 %	7 mA ±15 %	1050 mcd	x0.31/y0.32 nm	10-2512.1149	0.002 kg
	28 VAC/DC +10 %	5 mA ±15 %	750 mcd	x0.31/y0.32 nm	10-2513.1149	0.002 kg
	48 VAC/DC +10 %	5 mA ±15 %	750 mcd	x0.31/y0.32 nm	10-2519.1059	0.002 kg
	130 VDC +10 %	1.5 mA ±15 %	225 mcd	x0.31/y0.32 nm	10-2524.3049	0.002 kg
	130 VAC +10 %	2 mA ±15 %	300 mcd	x0.31/y0.32 nm	10-2H24.2059	0.002 kg
	230 VAC +10 %	1.5 mA ±15 %	225 mcd	x0.31/y0.32 nm	10-2H25.2049	0.002 kg
 <p>Single-LED super bright</p>						
Single-LED red	28 VAC/DC +10 %	14 mA ±15 %	7700 mcd	630 nm	10-2413.1132R	0.002 kg
Single-LED green	28 VAC/DC +10 %	13 mA ±15 %	12400 mcd	525 nm	10-2413.1125R	0.002 kg
Single-LED yellow	28 VAC/DC +10 %	14 mA ±15 %	4200 mcd	589 nm	10-2413.1134R	0.002 kg
 <p>Single-LED with integrated Zener diode</p>						
Single-LED red	24–30 VAC/DC +10 %	13–19 mA ±15 %	300–440 mcd	630 nm	10-2H13.3162Q	0.002 kg
Single-LED green	24–30 VAC/DC +10 %	12–18 mA ±15 %	1800–2700 mcd	525 nm	10-2H13.3165Q	0.002 kg
Single-LED yellow	24–30 VAC/DC +10 %	13–19 mA ±15 %	270–380 mcd	587 nm	10-2H13.3164Q	0.002 kg
Single-LED blue	24–30 VAC/DC +10 %	12–18 mA ±15 %	560–800 mcd	470 nm	10-2H13.3166Q	0.002 kg
Single-LED white diffuse	24–30 VAC/DC +10 %	7–11 mA ±15 %	600–900 mcd	x0.31/y0.32	10-2H13.3169Q	0.002 kg
 <p>Bi-colour LED</p>						
Bi-colour LED red/green	24 VDC +10 %	15 mA ±15 %	1200/900 mcd	625/525 nm	10-2H12.314A	0.002 kg
Bi-colour LED red/yellow	24 VDC +10 %	15 mA ±15 %	1200/550 mcd	625/589 nm	10-2H12.314B	0.002 kg
Bi-colour LED yellow/green	24 VDC +10 %	15 mA ±15 %	900/550 mcd	525/589 nm	10-2H12.314C	0.002 kg

04 Accessories

LED BA9s, EN 50155, Fail Safe




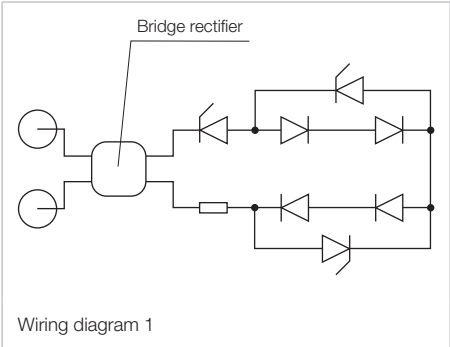
Product can differ from the current configuration.

Dimensions [mm]

Additional Information

- A suitable LED remover Part No. 700.006.0 (Series 44 Part No. 44-935)
- Luminous intensity data of the LEDs on direct voltage
- Electrical and optical data are measured at 25 °C
- The specified 72 and 110 VAC/VDC versions are built with a protection diode
- Specified 72 and 110 VAC/VDC versions are built with a bridge rectifier
- In case one LED fails, the other pair of still functioning LED-s is working. The light output then is half in order to indicate the malfunction and shows this way the need for replacement
- Luminosity and wave length variations caused by LED manufacturing processes may cause slight differences regarding the illumination

LED colour	Operating voltage	Operation current	Lumi. intensity	Dom. wavelength	Part No.	Wiring diagram	Weight
 <p>Multi-LED Fail Safe</p>							
Multi-LED rot	72 VAC/DC -30%/+25 %	2.2 mA -30%/+25 %	4 x 190 mcd	625 nm	10-4H21.1032P	1	0.002 kg
	110 VAC/DC -30%/+25 %	2 mA -30 % /+25%	4 x 170 mcd	625 nm	10-4H22.1032P	1	0.002 kg
Multi-LED yellow	72 VAC/DC -30%/+25 %	2.2 mA -30%/+25 %	4 x 190 mcd	589 nm	10-4H21.1034P	1	0.002 kg
	110 VAC/DC -30%/+25 %	2 mA -30%/+25 %	4 x 170 mcd	589 nm	10-4H22.1034P	1	0.002 kg
Multi-LED green	72 VAC/DC -30%/+25 %	2.2 mA -30%/+25 %	4 x 120 mcd	525 nm	10-4H21.1035P	1	0.002 kg
	110 VAC/DC -30%/+25 %	2 mA -30%/+25 %	4 x 170 mcd	525 nm	10-4H22.1035P	1	0.002 kg
Multi-LED blue	72 VAC/DC -30%/+25 %	2.2 mA -30%/+25 %	4 x 30 mcd	465 nm	10-4H21.1036P	1	0.002 kg
	110 VAC/DC -30%/+25 %	2 mA -30%/+25 %	4 x 25 mcd	465 nm	10-4H22.1036P	1	0.002 kg
Multi-LED white	72 VAC/DC -30%/+25 %	2.2 mA -30%/+25 %	4 x 160 mcd		10-4H21.1039P	1	0.002 kg
	110 VAC/DC -30%/+25 %	2 mA -30%/+25 %	4 x 145 mcd		10-4H22.1039P	1	0.002 kg

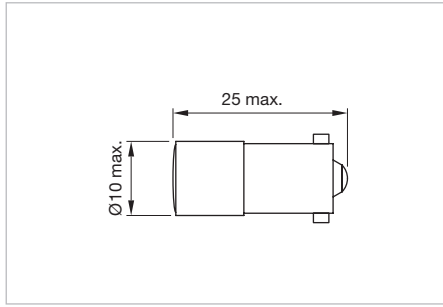


04 Accessories

LED BA9s, EN 50155




Product can differ from the current configuration.

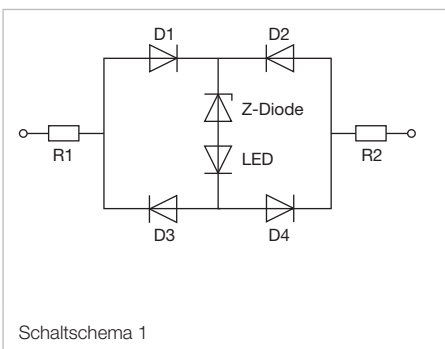


Dimensions [mm]

Additional Information

- A suitable LED remover Part No. 700.006.0 (Series 44 Part No. 44-935)
- Luminous intensity data of the LEDs on direct voltage
- Electrical and optical data are measured at 25 °C
- The specified 24 VAC/VDC versions are built with a protection diode
- Specified 24 VAC/VDC versions are built with a bridge rectifier
- The new, white BA9s LED operates within a range of 16VDC to 34VDC. It conforms to the norms EN 50155 and IEEE 1476.
- Luminosity and wave length variations caused by LED manufacturing processes may cause slight differences regarding the illumination


LED colour	Operating voltage	Operation current	Lumi. intensity	Dom. wavelength	Part No.	Wiring diagram	Weight
	Multi-LED						
Multi-LED white	24 VAC/DC -30%/+25 %	7.5 mA -30%/+25 %	700 mcd	625 nm	10-2412.1089P	1	0.002 kg



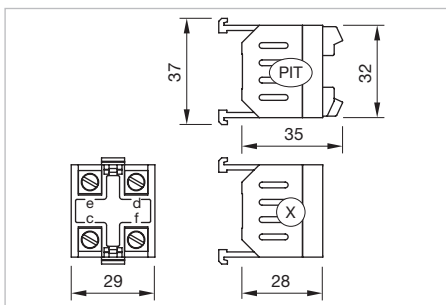
Filament lamp, BA9s

Additional Information


- The max. overall length of the lamp may not exceed 28 mm

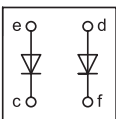
Operating voltage	Operation current	Part No.	Weight
 Filament lamp			
12 VAC/DC	100 mA±10 %	10-1409.1329	0.002 kg
24 VAC/DC	50 mA±10 %	10-1412.1279	0.002 kg
36 VAC/DC	56 mA±10 %	10-1416.1289	0.002 kg
60 VAC/DC	33 mA±10 %	10-1420.1219	0.002 kg
110 VAC/DC	22 mA±10 %	10-1422.1179	0.002 kg
130 VAC/DC	20 mA±10 %	10-1424.1179	0.002 kg

Diode block



Dimensions [mm]
 PIT = Push-in terminal,
 X = Screw terminal

Diode 1N4007	Terminal	Part No.	Wiring diagram	Weight
				
2	Push-in Terminal	704.942.5P	1	0.016 kg
	Screw	704.942.5	1	0.019 kg



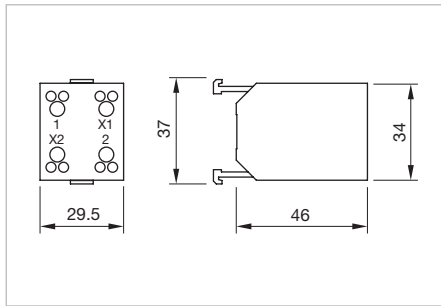
Wiring diagram 1

04 Accessories


Lamp transformer

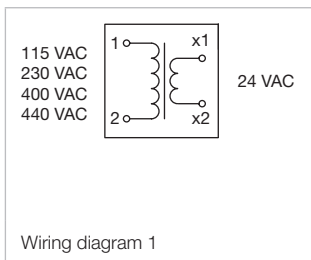
Additional Information

- Lamp voltage/-current 24 VAC, 50 mA, 50/60 Hz

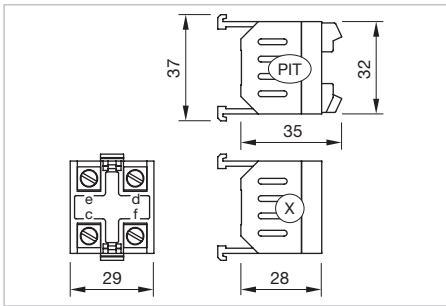


Dimensions [mm]


Operating voltage	Terminal	Part No.	Wiring diagram	Weight
 <p style="text-align: center;">Lamp transformer</p>				
115 VAC / 24 VAC	Screw	704.970.3	1	0.100 kg
230 VAC / 24 VAC	Screw	704.970.4	1	0.100 kg
400 VAC / 24 VAC	Screw	704.970.5	1	0.100 kg
440 VAC / 24 VAC	Screw	704.970.6	1	0.100 kg

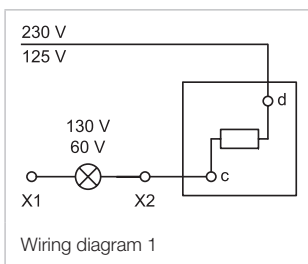


Resistor block



Dimensions [mm]
 PIT = Push-in terminal,
 X = Screw terminal

Product attribute	Operating voltage	Terminal	Part No.	Wiring diagram	Weight
					
Lamp voltage/-current 130 V, 20 mA	230 / 130 VAC	Screw	704.941.0	1	0.017 kg
Lamp voltage/- current 60 V, 33 mA	125 / 60 VAC	Push-in Terminal	704.941.5P	1	0.014 kg
	125 / 60 VAC	Screw	704.941.5	1	0.017 kg

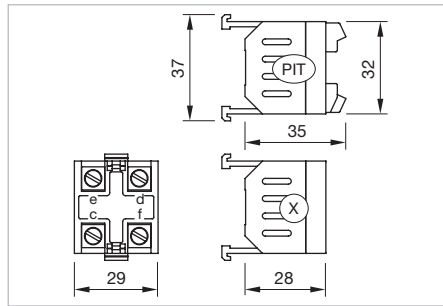


04 Accessories


Resistor-diode block

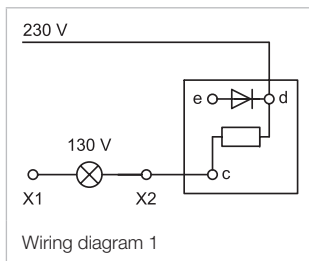
Zusätzliche Informationen

- Lamp voltage/-current 130 V, 20 mA



Dimensions [mm]
 PIT = Push-in terminal,
 X = Screw terminal


Operating voltage	Terminal	Part No.	Wiring diagram	Weight
				
230 / 130 VAC	Screw	704.941.9	1	0.017 kg



Terminal plate empty

Additional Information

- For fitting with series resistors





Product attribute	Dimension	Part No.	Weight
			
Terminal plate empty			
5 spaces	62.5 x 60 x 15 mm	02-912.1	0.025 kg
10 spaces	125 x 60 x 15 mm	02-912.2	0.045 kg
15 spaces	187.6 x 60 x 15 mm	02-912.3	0.090 kg
20 spaces	250 x 60 x 15 mm	02-912.4	0.095 kg

Emergency-stop switch

Emergency-stop legend

Additional Information

- Front panel thickness 3 mm max.

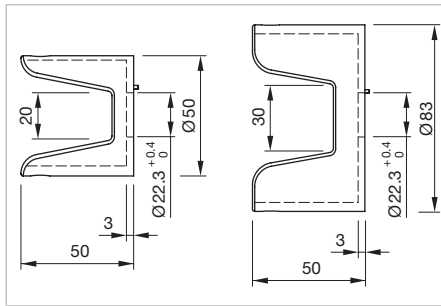
Dimension	Mounting cut-out	Marking	Colour	Part No.	Weight
 <p>Emergency-stop legend</p>					
Ø 59 x 1 mm	Ø 22.5 mm	NOT AUS	yellow	704.963.5	0.011 kg
		EMERGENCY STOP	yellow	704.963.6	0.011 kg
		ARRET D'URGENCE	yellow	704.963.7	0.011 kg
		Symbol	yellow	704.963.8	0.011 kg
 <p>Emergency-stop legend</p>					
Ø 59 x 1 mm	Ø 22.5 mm	Symbol	yellow	704.963.9	0.011 kg
 <p>Emergency-stop legend</p>					
Ø 90 x 1 mm	Ø 22.5 mm	NOT AUS	yellow	704.963.0	0.011 kg
		EMERGENCY STOP	yellow	704.963.1	0.011 kg
		ARRET D'URGENCE	yellow	704.963.2	0.011 kg
		NOT HALT	yellow	704.963.3	0.011 kg
 <p>Emergency-stop legend</p>					
Ø 90 x 1 mm	Ø 22.5 mm	Symbol	yellow	704.963.4	0.011 kg

04 Accessories



E-stop protective shroud, IP65

Additional Information

- Use only for Part No. 704.064.2 und 704.066.2
- The protection shroud is not suitable for a proper use of emergency-stop. It can obstruct a spontaneous operation of the emergency-stop



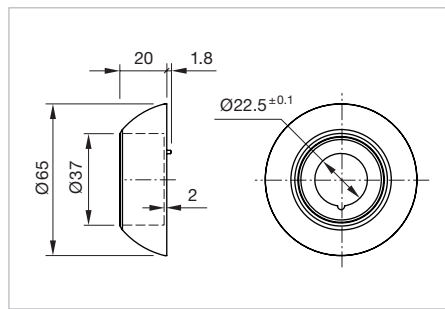
Dimensions [mm]

Dimension	Material	Colour	Standard	Part No.	Weight
	E-stop protective shroud				
Ø 50 mm	Plastic	yellow		704.927.8	0.052 kg
	E-stop protective shroud				
Ø 83 mm	Plastic	yellow	SEMI S2-93/12.4.c	704.927.9	0.067 kg


E-stop protective shroud, IP 67

Additional Information

- Front panel thickness 1 2.5 mm other actuators
- Front panel thickness 1 5 mm Emergency-stop switch
- With anti-twist device
- When using a protective shroud the e-stop or stop switch has to be turned by 180° to be mounted. See dimensional drawing
- Do not use solvents when cleaning



Dimensions mm]

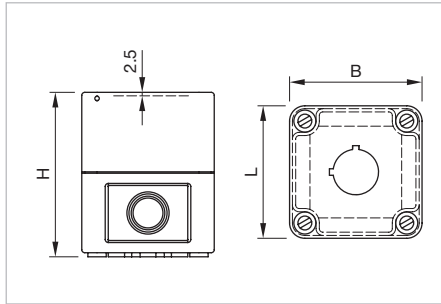
Dimension	Marking	Colour	Protection degree	Part No.	Weight	
 <p>E-stop protective shroud</p>						
	Ø 65 mm		yellow	IK 07	704.927.6	0.017 kg
		NOT-AUS	yellow	IK 07	704.927.6A	0.017 kg
		EMERGENCY-STOP	yellow	IK 07	704.927.6B	0.017 kg
		EMERGENCY-STOP / NOT-AUS	yellow	IK 07	704.927.6C	0.017 kg

04 Accessories




Emergency-stop enclosure

Additional Information

- Bottom grey similar RAL 7035; cover lead-sealable, yellow similar RAL 1004
- Openings for cable gland M16 or M20
- To be used with one switching element Series 04



Dimensions [mm]

Product attribute	Dimension	Part No.	Weight
 <p>Emergency-stop enclosure with mounting cut-out 1 x Ø 22.5 mm, with anti-twist device</p>	L 94 x B 94 x H 81 mm	704.945.0	0.195 kg
 <p>Emergency-stop enclosure with mounting cut-out 1 x Ø 22.5 mm, with anti-twist device</p>	L 65 x B 65 x H 81 mm	704.945.7	0.127 kg
 <p>Emergency-stop enclosure with mounting cut-out 1 x Ø 22.5 mm, with anti-twist device</p>	L 94 x B 65 x H 81 mm	704.945.8	0.157 kg

Cable gland, IP 68


Additional Information

- With traction relief
- With fixing nut

Product attribute	Thread	Material	Colour	Part No.	Weight
 <p>Cable gland Clamping range Ø 4 ... 10 mm, thread length 8 mm</p>	M16 x 1.5	Plastic	grey	61-9481.6	0.007 kg
<p>Clamping range Ø 6 ... 12 mm, thread length 9 mm</p>	M20 x 1.5	Plastic	grey	704.945.6	0.011 kg

Mounting

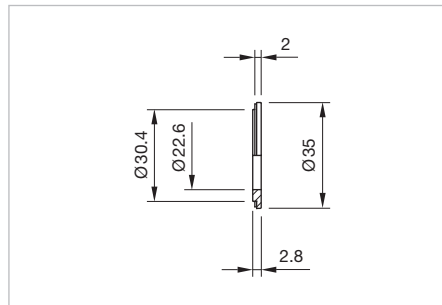
Anti-twist ring

Part No.	Weight
 <p>Anti-twist ring, flush design</p>	
704.954.0	0.002 kg



Reducing ring

Additional Information

- Devices \varnothing 22.5 mm in mounting cut-out \varnothing 30.5 mm
- With the metal bayonet flange you can use one reduction ring. If you have a plastic bayonet flange you need to install two reduction rings
- The colour of anodized aluminium parts can vary due to technical production reasons



Dimensions [mm]

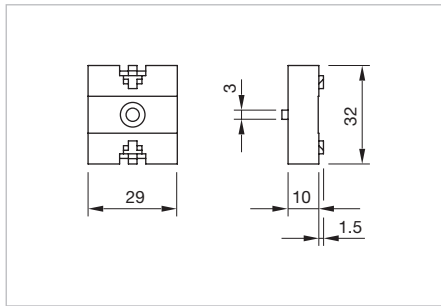
Product attribute	Material	Colour	Part No.	Weight
 <p>Reducing ring</p>	Aluminium	black anodized	704.960.0	0.004 kg
		natural anodized	704.960.8	0.004 kg
 <p>Reducing ring with opening for anti rotation pin</p>	Aluminium	natural anodized	704.960.8A	0.004 kg
with slot for anti-twist device				

04 Accessories

Mounting plate

Additional Information

- For separate mounting of lamp transformer, resistor block or capacitor block



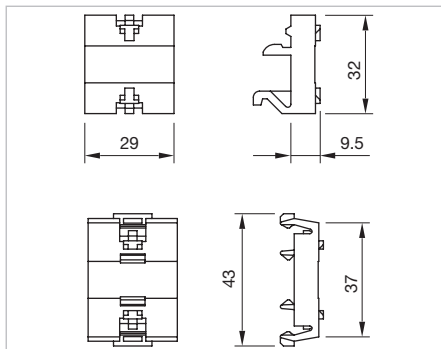
Dimensions [mm]

Material	Colour	Part No.	Weight
 Mounting plate			
Plastic	grey	704.940.8	0.006 kg



Snap-on base

Additional Information

- To snap-on, for separate mounting of lamp transformer, resistor block or capacitor block




Dimensions [mm]

Product attribute	Part No.	Weight
 Snap-on base		
DIN mounting bar EN 50035	704.940.9	0.006 kg
 Snap-on base		
DIN mounting bar EN 50022	704.941.1	0.006 kg

Reinforcement ring

Additional Information


- For thin front panel and plastic case

Dimension	Mounting cut-out	Material	Colour	Part No.	Weight
 <p>Reinforcement ring</p>					
44 x 29 x 3 mm	Ø 22.5 mm	Steel sheet	galvanized, yellow passivated	704.960.9	0.014 kg

Lens plug

Additional Information


- With lamp remover function (BA9s)
- For mounting and dismantling of the round lens, flush design

Part No.	Weight
 <p>Lens plug for round lens, flush design</p>	
700.006.0	0.003 kg

Lens remover

Additional Information

- For dismantling of the square lens, flush design


Part No.	Weight
 <p>Lens remover</p>	
98-968	0.004 kg

04 Accessories

Mounting tool indicator

Additional Information


- For Indicators full-face illumination, compact
- for tightening or loosening of the fixing nut

Product attribute	Part No.	Weight
 <p>Mounting tool for indicator</p>	700.005.0	0.020 kg

Mounting tool key insert switch

Additional Information


- for tightening or loosening of the fixing nut

Product attribute	Part No.	Weight
 <p>Mounting tool for key insert switch</p>	704.990.0	0.020 kg

Cable gland, IP 68

Additional Information

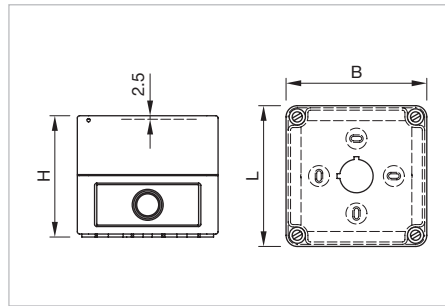
- With traction relief
- With fixing nut

Product attribute	Thread	Material	Colour	Part No.	Weight
 <p>Cable gland</p>					
Clamping range Ø 4 ... 10 mm, thread length 8 mm	M16 x 1.5	Plastic	grey	61-9481.6	0.007 kg
Clamping range Ø 6 ... 12 mm, thread length 9 mm	M20 x 1.5	Plastic	grey	704.945.6	0.011 kg






Enclosure, IP 66

Additional Information

- Cover lead-sealable
- Openings for cable gland M16 or M20

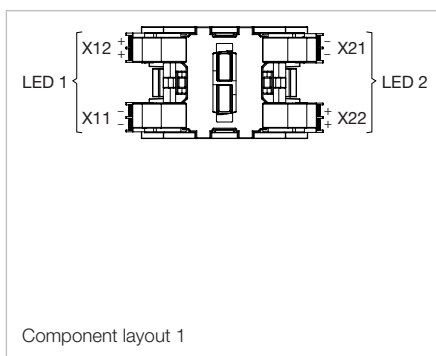


Dimensions [mm]

Product attribute	Dimension	Material	Colour	Part No.	Weight
 <p>Enclosure</p>	L 94 x B 94 x H 81 mm	Plastic	grey, similar RAL 7035	704.945.1	0.211 kg
 <p>Enclosure</p>	L 130 x B 94 x H 81 mm	Plastic	grey, similar RAL 7035	704.945.2	0.251 kg
 <p>Enclosure</p>	L 180 x B 94 x H 81 mm	Plastic	grey, similar RAL 7035	704.945.3	0.313 kg
 <p>Enclosure</p>	L 180 x B 182 x H 110 mm	Plastic	grey, similar RAL 7035	704.945.4	0.572 kg
 <p>Enclosure</p>	L 180 x B 182 x H 110 mm	Plastic	grey, similar RAL 7035	704.945.5	0.568 kg

04 Drawings

Drawings



Slow-make switching element
Switching system

The double-break, slow-make switching element is equipped with one or two independent contact systems, acting as normally open or normally closed contact. The normally closed contact has forced opening.

Slow-make contacts with forced action are ideal for high switch ratings.

Up to three switching elements can be snapped to each actuator. For the emergency-stop pushbutton use the slow-make switching element (max. 2).

Material
Material of contact

Hardsilver, gold-silver, silver-palladium (for aggressive atmospheres)

Switch housing

Polycarbonate (PC)

Mechanical characteristics
Terminals

Screw terminals

Plug-in terminals 6.3 x 0.8 mm

max. wire cross-section 2 x 2.5 mm²

max. wire cross-section of stranded cable 2 x 1.5 mm²

For switches with plug-in terminals it is necessary to provide insulation sleeves and to maintain a spacing of 65 mm between rows (mounting cut-outs)

Tightening torque

Screws at the mounting flange max. 0.25–0.30 Nm

Screws at switching element max. 0.50 Nm

Actuating force

1 Normally closed 2 N

1 Normally open 3.1 N

Actuating travel

5.8 mm ± 0.2 mm

Rebound time

≤ 1 ms

Mechanical lifetime

(with 1 switching element)

Pushbutton maintained action 1.5 million Cycles of operation

Pushbutton momentary action 3 million Cycles of operation

Selector switch maintained action 1.25 million Cycles of operation

Selector switch momentary action 2.5 million Cycles of operation

Emergency-stop switch 50 000 Cycles of operation

Keylock switch maintained action 25 000 Cycles of operation

Keylock switch momentary action 50 000 Cycles of operation

Electrical characteristics
Standards

The switches comply with the “Standards for low-voltage switching devices” EN IEC 60947-5-1

Rated Insulation Voltage U_i

500 VAC/600 VDC, as per EN IEC 60947-5-1

Contact resistance

New state ≤ 50 mΩ as per DIN IEC 60512-2-4

Isolation resistance

≥ 10 MΩ between open contacts at 500 VDC, as per DIN IEC 60512-3-1

Electrical life

50 000 cycles of operations

Conventional free air thermal current I_{th}

As per EN IEC 60947-5-1

6 A for plug-in terminals

10 A for screw terminals

the maximum current in continuous operation and at ambient temperature must not exceed the quoted maximum values.

Switch rating

At switch rating AC for gold-silver, silver-palladium and hardsilver contacts, service category AC-15, as per EN IEC 60947-5-1 (cos φ 0.3)

Voltage	230 VAC	400 VAC	500 VAC
---------	---------	---------	---------

Current	7 A	5 A	4 A
---------	-----	-----	-----

At switch rating DC for gold-silver and hardsilver contacts, service category DC-13, as per EN IEC 60947-5-1

Voltage	24 VDC	60 VDC	110 VDC	250 VDC
---------	--------	--------	---------	---------

Current	10 A	5 A	2.5 A	0.6 A
---------	------	-----	-------	-------

Recommended minimum operational data

Gold-silver contacts:

Voltage	24 VDC	110 VDC
---------	--------	---------

Current	5 mA	2 mA
---------	------	------

Hardsilver contacts:

Voltage	24 VDC	110 VDC
---------	--------	---------

Current	50 mA	10 mA
---------	-------	-------

Protection class

Indicators and switches, fit for mounting into devices with protection class II

04 Technical data

Environmental conditions

Storage temperature

-40 °C ... +85 °C

Operating temperature

-40 °C ... +55 °C
(other temperatures on request)

Protection degree

IP 00

Shock resistance

(single impacts, semi-sinusoidal)
300 m/s² puls width 11 ms, as per EN IEC 60068-2-27

Vibration resistance

(sinusoidal)
100 m/s² at 10 Hz ... 500 Hz, amplitude 0.75 mm, as per EN IEC 60068-2-6

Approvals

Approbations

CB (IEC 60947)
CCC
CSA
Germanischer Lloyd
EAC
NFF 16-102
UL

Declaration of conformity

CE

Snap-action switching element

Switching system

The double-break, snap-action switching element is equipped with one or two independent contact systems, acting as normally open or normally closed contact. The snap-action switching element is fitted with self-cleaning contacts. Up to three switching elements can be snapped to each actuator. Snap-action switching elements are not permissible for emergency-stop pushbuttons!

Material

Material of contact

Hardsilver, gold-silver, silver-palladium (for aggressive atmospheres)

Switch housing

Polycarbonate (PC)

Mechanical characteristics

Terminals

Screw terminals
Plug-in terminals 6.3 x 0.8 mm
max. wire cross-section 2 x 2.5 mm²
max. wire cross-section of stranded cable 2 x 1.5 mm²
For switches with plug-in terminals it is necessary to provide insulation sleeves and to maintain a spacing of 65 mm between rows (mounting cut-outs)

Tightening torque

Screws at the mounting flange max. 0.25–0.30 Nm
Screws at switching element max. 0.50 Nm

Actuating force

1 Normally closed 1.9 N
1 Normally open 2 N

Actuating travel

5.8 mm ± 0.2 mm

Rebound time

≤ 3 ms

Mechanical lifetime

(with 1 switching element)
Pushbutton maintained action 1.5 million Cycles of operation
Pushbutton momentary action 3 million Cycles of operation
Selector switch maintained action 1.25 million Cycles of operation
Selector switch momentary action 2.5 million Cycles of operation
Keylock switch maintained action 25 000 Cycles of operation
Keylock switch momentary action 50 000 Cycles of operation

Electrical characteristics

Standards

The switches comply with the "Standards for low-voltage switching devices" EN IEC 60947-5-1

Rated Insulation Voltage U_i

500 VAC/600 VDC, as per EN IEC 60947-5-1

Contact resistance

New state ≤ 50 mΩ as per DIN IEC 60512-2-4

Isolation resistance

≥ 10 MΩ between open contacts at 500 VDC, as per DIN IEC 60512-3-1

Electrical life

50 000 cycles of operations

Conventional free air thermal current I_{th}

As per EN IEC 60947-5-1

6 A for plug-in terminals

10 A for screw terminals

the maximum current in continuous operation and at ambient temperature must not exceed the quoted maximum values.

Switch rating

At switch rating AC for gold-silver, silver-palladium and hardsilver contacts, service category AC-15, as per EN IEC 60947-5-1 ($\cos\phi$ 0.3)

Voltage	230 VAC	400 VAC	500 VAC
Current	6 A	4 A	2.5 A

At switch rating DC for gold-silver and hardsilver contacts, service category DC-13, as per EN IEC 60947-5-1

Voltage	24 VDC	60 VDC	110 VDC
Current	10 A	3 A	1 A

Recommended minimum operational data

Gold-silver contacts:

Voltage	5 VDC	24 VDC	110 VDC
Current	15 mA	5 mA	2 mA

Hardsilver contacts:

Voltage	24 VDC	110 VDC
Current	50 mA	10 mA

Protection class

Indicators and switches, fit for mounting into devices with protection class II

Environmental conditions

Storage temperature

-40 °C ... +85 °C

Operating temperature

-40 °C ... +55 °C

(other temperatures on request)

Protection degree

IP 00

Shock resistance

(single impacts, semi-sinusoidal)

300 m/s² puls width 11 ms, as per EN IEC 60068-2-27

Vibration resistance

(sinusoidal)

100 m/s² at 10 Hz ... 500 Hz, amplitude 0.75 mm, as per EN IEC 60068-2-6

Approvals

Approbations

CB (IEC 60947)

CCC

CSA

Germanischer Lloyd

EAC

NFF 16-102

UL

Declaration of conformity

CE

Slow-make switching element PIT

Switching system

The double-break, slow-make switching element is equipped with one or two independent contact systems, acting as normally open or normally closed contact. The normally closed contact has forced opening.

Slow-make contacts with forced action are ideal for high switch ratings.

Up to three switching elements can be snapped to each actuator. For the emergency-stop pushbutton use the slow-make switching element (max. 2).

Material

Material of contact

Hardsilver and gold-silver

Switch housing

Polycarbonate (PC)

Mechanical characteristics

Terminals

PIT push-in terminal

Skinning 8 mm

Wire cross-section:

Wire 0.2 to 1.0 mm²

Stranded wire 0.2 to 1.0 mm² without core and sleeve

Stranded wire 0.2 to 0.75 mm² with core and sleeve

Tightening torque

Screws at the mounting flange max. 25 Ncm

Actuating force

1 Normally closed 2 N

1 Normally open 3.1 N

Actuating travel

5.8 mm ± 0.2 mm

Rebound time

≤ 1 ms

04 Technical data

Mechanical lifetime

(with 1 switching element)

Pushbutton maintained action	1.5 million Cycles of operation
Pushbutton momentary action	3 million Cycles of operation
Selector switch maintained action	1.25 million Cycles of operation
Selector switch momentary action	2.5 million Cycles of operation
Emergency-stop switch	50 000 Cycles of operation
Keylock switch maintained action	25 000 Cycles of operation
Keylock switch momentary action	50 000 Cycles of operation

Electrical characteristics

Standards

The switches comply with EN IEC 60947-1/EN IEC 60947-5-1

Rated Insulation Voltage U_i

500 VAC/600 VDC, as per EN IEC 60947-5-1

Contact resistance

New state $\leq 50 \text{ m}\Omega$ as per DIN IEC 60512-2-4

Isolation resistance

$\geq 10 \text{ M}\Omega$ between open contacts at 500 VDC, as per DIN IEC 60512-3-1

Electrical life

50 000 cycles of operations

Conventional free air thermal current I_{th}

6 A, as per EN IEC 60947-5-1

the maximum current in continuous operation and at ambient temperature must not exceed the quoted maximum values.

Switch rating

At switch rating AC for gold-silver and hardsilver contacts, service category AC-15, as per EN IEC 60947-5-1 ($\cos\phi 0.3$)

Voltage 250 VAC

Current 6 A

At switch rating DC for gold-silver and hardsilver contacts, service category DC-13, as per EN IEC 60947-5-1

Voltage 24 VDC 110 VDC

Current 6 A 1.0 A

Recommended minimum operational data

Gold-silver contacts:

Voltage 24 VDC

Current 5 mA

Hardsilver contacts:

Voltage 24 VDC

Current 50 mA

Protection class

Indicators and switches, fit for mounting into devices with protection class II

Environmental conditions

Storage temperature

-40 °C ... +85 °C

Operating temperature

-40 °C ... +55 °C

(other temperatures on request)

Protection degree

IP 20

Shock resistance

(single impacts, semi-sinusoidal)

300 m/s² puls width 11 ms, as per EN IEC 60068-2-27

Approvals

Approbations

CB (IEC 60947)

CCC

CSA

Germanischer Lloyd

EAC

NFF 16-102

UL

Declaration of conformity

CE

Snap-action switching element PIT

Switching system

The double-break, snap-action switching element is equipped with one or two independent contact systems, acting as normally open or normally closed contact. The snap-action switching element is fitted with self-cleaning contacts.

Up to three switching elements can be snapped to each actuator. Snap-action switching elements are not permissible for emergency-stop pushbuttons!

Material

Material of contact

Hardsilver and gold-silver

Switch housing

Polycarbonate (PC)

Mechanical characteristics

Terminals

PIT push-in terminal
 Skinning 8mm
 Wire cross-section:
 Wire 0.2 to 1.0mm²
 Stranded wire 0.2 to 1.0mm² without core and sleeve
 Stranded wire 0.2 to 0.75mm² with core and sleeve

Tightening torque

Screws at the mounting flange max. 25Ncm

Actuating force

1 Normally closed 1.9N
 1 Normally open 2N

Actuating travel

5.8mm ± 0.2mm

Rebound time

≤ 3ms

Mechanical lifetime

(with 1 switching element)
 Pushbutton maintained action 1.5 million Cycles of operation
 Pushbutton momentary action 3 million Cycles of operation
 Selector switch maintained action 1.25 million Cycles of operation
 Selector switch momentary action 2.5 million Cycles of operation
 Keylock switch maintained action 25 000 Cycles of operation
 Keylock switch momentary action 50 000 Cycles of operation

Electrical characteristics

Standards

The switches comply with EN IEC 60947-1/EN IEC 60947-5-1

Rated Insulation Voltage U_i

500VAC/600VDC, as per EN IEC 60947-5-1

Contact resistance

New state ≤ 50mΩ as per DIN IEC 60512-2-4

Isolation resistance

≥ 10MΩ between open contacts at 500 VDC, as per
 DIN IEC 60512-3-1

Electrical life

50 000 cycles of operations

Conventional free air thermal current I_{th}

6A, as per EN IEC 60947-5-1
 the maximum current in continuous operation and at ambient
 temperature must not exceed the quoted maximum values.

Switch rating

At switch rating AC for gold-silver and hardsilver contacts,
 service category AC-15, as per EN IEC 60947-5-1 (cosφ 0.3)

Voltage 250VAC
 Current 6A

At switch rating DC for gold-silver and hardsilver contacts,
 service category DC-13, as per EN IEC 60947-5-1

Voltage 24VDC 110VDC
 Current 6A 1.0A

Recommended minimum operational data

Gold-silver contacts:
 Voltage 24VDC
 Current 5mA

Hardsilver contacts:
 Voltage 24VDC
 Current 50mA

Protection class

Indicators and switches, fit for mounting into devices with protec-
 tion class II

Environmental conditions

Storage temperature

-40°C ... +85°C

Operating temperature

-40°C ... +55°C
 (other temperatures on request)

Protection degree

IP 20

Shock resistance

(single impacts, semi-sinusoidal)
 300m/s² puls width 11 ms, as per EN IEC 60068-2-27

Vibration resistance

(sinusoidal)
 100m/s² at 10Hz ... 500Hz, as per EN IEC 60068-2-6 and
 EN 61373 Increased broad band noise, class 1B

Approvals

Approbations

CB (IEC 60947)
 CCC
 CSA
 Germanischer Lloyd
 EAC
 NFF 16-102
 UL

Declaration of conformity

CE

04 Technical data

Lamp block

Material

Housing

Polycarbonate (PC)

Mechanical characteristics

Terminals

Screw terminals

Plug-in terminals 6.3 x 0.8mm

max. wire cross-section 2 x 2.5mm²

max. wire cross-section of stranded cable 2 x 1.5mm²

For switches with plug-in terminals it is necessary to provide insulation sleeves and to maintain a spacing of 65mm between rows (mounting cut-outs)

Tightening torque

Screws at lamp block max. 0.5Nm

Electrical characteristics

Standards

The switches comply with EN IEC 60947-1/EN IEC 60947-5-1

Illumination

Voltage 250V max.

Power 2.6W max.

BA9s standard adaptable.

Environmental conditions

Storage temperature

-40 °C ... +85 °C

Operating temperature

-40 °C ... +55 °C

(other temperatures on request)

Protection degree

IP 00

Shock resistance

(single impacts, semi-sinusoidal)

300m/s² puls width 11 ms, as per EN IEC 60068-2-27

Vibration resistance

(sinusoidal)

100m/s² at 10Hz ... 500Hz, as per EN IEC 60068-2-6 and EN 61373 Increased broad band noise, class 1B

Lamp block PIT

Material

Housing

Polycarbonate (PC)

Mechanical characteristics

Terminals

PIT push-in terminal

Skinning 8mm

Wire cross-section:

Wire 0.2 to 1.0mm²

Stranded wire 0.2 to 1.0mm² without core and sleeve

Stranded wire 0.2 to 0.75mm² with core and sleeve

Electrical characteristics

Standards

The switches comply with EN IEC 60947-1/EN IEC 60947-5-1

Illumination

Voltage 250V max.

Power 2.6W max.

BA9s standard adaptable.

Environmental conditions

Storage temperature

-40 °C ... +85 °C

Operating temperature

-40 °C ... +55 °C

(other temperatures on request)

Protection degree

IP 20

Shock resistance

(single impacts, semi-sinusoidal)

300m/s² puls width 11 ms, as per EN IEC 60068-2-27

Vibration resistance

(sinusoidal)

100m/s² at 10Hz ... 500Hz, as per EN IEC 60068-2-6 and EN 61373 Increased broad band noise, class 1B

Dual lamp block
Material
Housing

Plastic

Mechanical characteristics
Terminals

- PIT push-in-terminal
- Strip length L = 8 mm

Wire cross section

Max. wire cross section 0.2 to 1.0 mm²

Max. wire cross section of stranded cable 0.2 to 0.75 mm² with bootlace ferrules

Electrical characteristics
Lighting

Illuminant = 2 SMD-LEDs white

Operating voltages

24 VDC (-30 % / +25 %)

110 VDC (-30 % / +25 %)

Operating current

typ. 8 mA

Environmental conditions
Storage temperature

-40 °C ... +85 °C

Operating temperature

-40 °C ... +60 °C

Degree of protection

IP20

Resistance to shock

500 m/s², pulse duration 11 ms, according to EN IEC 60068-2-27 (semi-sinusoidal)

Broadband noise

5.72 m/s² per axis, 5 h (duration), class 1B according to DIN EN 61373

Approvals
Approbations

UL-94 V0

EN 45545

Buzzer
Buzzer system
System

Piezo disc

Material
Buzzer case

Polyamide

Front cap

Plastic Polyamide

Metal Nickel-plated brass (sea-water proof)

Mechanical characteristics
Terminals

Plug-in terminal 2.8 x 0.5 mm

Tightening torque

for fixing nut max. 0.25 Nm

Electrical characteristics
Frequency (tone)

approx. 2.8 kHz continuous tone only

Sound pressure

95 db (A) ±8 dB at a distance of 0.1 m

Operation Voltage/Current

Operation Voltage 24 VDC ±10 %

Operation Current ≤ 25 mA

Environmental conditions
Storage temperature

-40 °C ... +85 °C

Operating temperature

-40 °C ... +55 °C

(other temperatures on request)

Protection degree

as per EN IEC 60529, frontside

IP 40, devices flush design

IP 65, devices raised design

Approvals
Declaration of conformity

CE

04 Technical data

Actuator

Material

Front ring

Polyamide, Aluminium or Stainless steel

Mounting flange

Polyethylene terephthalate

Actuator housing

Polycarbonate, Polyamide

Mechanical characteristics

Actuating force

Mounting style square flush 6.2N
other mounting styles 8N

Actuating travel

5.8mm ± 0.2mm

Mechanical lifetime

(with 1 switching element)

Pushbutton	≤ 3 million Cycles of operation
Selector switch	≤ 2.5 million Cycles of operation
Stop switch	≤ 50 000 Cycles of operation
Fool proofed E-stop	≥ 50 000 Cycles of operation
Keylock switch	≤ 50 000 Cycles of operation
Key insert switches	≤ 250 000 Cycles of operation

Keylock switch

The standard lock number is 251, the last digit of the device Part No. = 0 (example: 704.335.0).

Additional lock numbers are available:

252 last digit = 1; 253 last digit = 2; 254 last digit = 3
255 last digit = 4; 256 last digit = 5; 257 last digit = 6
258 last digit = 7; 259 last digit = 8; 260 last digit = 9

Electrical characteristics

Standards

The switches comply with the "Rules for low-voltage switching devices" EN IEC 60947-5-1

Environmental conditions

Storage temperature

-40 °C ... +85 °C

Operating temperature

-40 °C ... +55 °C

(other temperatures on request)

Protection degree

As per EN IEC 60529

frontside IP65 (IP65 and IP67 Key insert switch)

Rotary selector switching element

Mechanical characteristics

Terminals

Screw terminals

Terminal lead material copper wires only

max. permissible wire gage:

Single-core or stranded wire 2 x 1.5mm² (2 x AWG 14)

flexible wire 2 x 1.5mm² (2 x AWG 16)

Tightening torque

for fixing nut max. 0.25Nm

Number of stages

1 to 8 positions max.

Number of contacts

1 to 16 max. normally open contacts

(contact positioning according circuit drawing)

Switching angle

Basic position of switching position "A" is 9 o'clock

Maintained action	Switching angle
12 max.	30°
8 max.	45°
6 max.	60°
4 max.	90°

Momentary action with release 24°

(provide at the beginning or at the end)

Standard type of Kraus & Naimer

CG4 Hard Silver contacts with 1 µm Gold layer

CG4-1 Hard Silver contacts with 35 µm Gold layer

Electrical characteristics

Minimum Voltage

20V

Rated Impulse Withstand Voltage U_{imp}

4kV

Short Circuit Protection

Max. fuse size (gL-characteristic) 10A

Rated short-time withstand current (1s-current) 90A

Electrical characteristics for AC

Standards

The devices comply with: EN IEC 60947-3, VDE 0660 part 107

Rated Operational Voltage U_e

440V

Rated Insulation Voltage U_i

440V

Rated Thermal Current I_u / I_{th}

10A

Rated Operational Current I_n

AC-15 Switching of control devices, contactors, valves etc.

110V–120V	2.5A
220V–240V	2.5A
380V–440V	1.5A

 No load operation
10A

 AC-21A Switching of resistive loads, including moderate overloads
For switchin of power > 1kW
10A

 AC-22A Switching of combined resistive or low inductive loads
including moderate overloads
220V–240V 10A

Rated Utilization Category

 AC-2 Slip ring motor starting, reversing and plugging, star-delta
starting 3 phase, 3 pole

220V–240V	2.5kW
380V–440V	4.5kW

AC-3 Direct-on-line starting, star-delta starting

3 phase, 3 pole	220V–240V	2.50kW
	380V–440V	2.20kW
1 phase, 2 pole	110V–120V	0.30kW
	220V–240V	0.55kW
	380V–440V	0.75kW

AC-Direct-on-line starting, reversing, plugging and inching

3 phase, 3 pole	220V–240V	0.37kW
	380V–440V	0.55kW
1 phase, 2 pole	110V–120V	0.15kW
	220V–240V	0.25kW
	380V–440V	0.50kW

 AC-23A Frequent switching of motors or other high inductive
loads

3 phase, 3 pole	220V–240V	1.80kW
	380V–440V	3.00kW
1 phase, 2 pole	110V–120V	0.37kW
	220V–240V	0.75kW
	380V–440V	1.10kW

Overvoltage category

III, valid for lines with grounded common neutral termination

Degree of pollution

3, valid for lines with grounded common neutral termination

Electrical characteristics for AC (UL/Canada)
Rated operational voltage

300V

Rated Insulation Voltage U_i

300V

Rated Thermal Current

10A

Ampere Rating

Resistive or low inductive loads, for switching of power > 1kW, 10A

Ratings

Standard motor load, DOL Rating (similar AC-3)

3 phase, 3 pole	110V–120V	0.75HP
	220V–240V	1.00HP
1 phase, 2 pole	110V–120V	0.33HP
	220V–240V	0.75HP
	277V–277V	0.75HP

Pilot Duty, Heavy

300VAC

Electrical characteristics for DC
Switch Rating DC

 Resistive loads $T \leq 1$ ms

Number of series contact(s)								Switch Capacity
1	2	3	4	5	6	8		
24V	48V	70V	95V	120V	145V	190V	10.0A	
48V	95V	140V	190V	240V	290V	350V	6.0A	
60V	120V	180V	240V	300V	360V	450V	2.5A	
110V	220V	330V	440V	550V	660V		0.7A	
220V	440V	660V					0.3A	
440V	660V						0.2A	

 Inductive loads $T = 50$ ms

Number of series contact(s)								Switch Capacity
1	2	3	4	5	6	8		
24V	48V	70V	95V	120V	145V	190V	6.0A	
30V	60V	90V	120V	150V	180V	240V	3.0A	
48V	95V	140V	190V	240V	290V	350V	1.0A	
60V	120V	180V	240V	300V	360V	450V	0.7A	
110V	220V	330V	440V	550V	660V		0.3A	

Environment conditions
Operating temperature

Ambient Temperatures of Stages

 open at 100% I_u / I_{tn} 55°C during 24h with peaks up to 60°C
 enclosed at 100% I_{the} 35°C during 24h with peaks up to 40°C

04 Technical data

Flasher

Material

Housing

Polycarbonat (PC), nach UL 94 V0

Mechanical characteristics

Terminals

Screw terminal

Electrical characteristics

Flasher frequency

1.5 Hz

Relative duty factor

ca. 50%

Environment conditions

Operating temperature

0° ... +50 °C

Protection degree

Rear side IP30

EAO reserves the right to alter specifications without further notice.

General notes

1. Engraving

In addition to the most commonly used world languages, in DIN1451-3 close spacing, other typefaces are available as Scandinavian, Slavic, Greek, Russian and Polish. The engraved marking caps and plates are filled with black or white colour. Standard height of letters is 3 mm. If the height is not specified, we will supply 3 mm engraved letters.

2. Hot stamping

Standard legends and ISO symbols are hot stamped. For larger series it is worth considering markings by means of hot stamping. We will pleased to advise you.

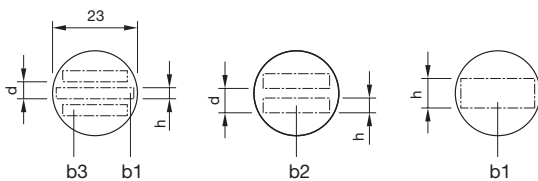
3. Film inserts

Instead of using engraving the square lenses can be fitted with film inserts, as an alternative. Film thickness is 0.25 mm. Max. film size: for Indicator 24.5 x 24.5 mm, for illuminated Pushbutton 21.5 x 21.5 mm.

Engraving marking cap for Indicator round, full face illumination

All dimensions in mm

Height of letters h	Number of lines	Number of letters per line (target value)			Line spacing d
		b1	b2	b3	
3	3	11	10	9	4.6
4	2	8	7	–	6.6
8	1	4	–	–	–

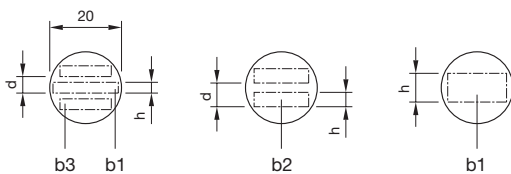


The gap between two words results in each case a letter less.

Engraving marking cap for Indicator and illuminated Pushbutton round, front illumination

All dimensions in mm

Height of letters h	Number of lines	Number of letters per line (target value)			Line spacing d
		b1	b2	b3	
3	3	9	9	7	4.6
4	2	7	6	–	6.6
8	1	3	–	–	–



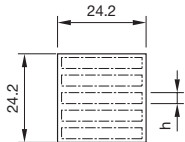
The gap between two words results in each case a letter less.

04 Marking

Engraving diffusor cap for Indicator square, full face illumination

All dimensions in mm

Height of letters h	Number of lines	Number of capital letters per line(target value)	Number of small letters per line (target value)
2.5	6	13	14
3.0	5	11	12
4.0	4	8	8-9
5.0	3	6-7	7
6.0	2	5-6	6
8.0	1	4	4-5

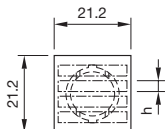


The gap between two words results in each case a letter less.

Engraving lens holder for Indicator and Illuminate Pushbutton square, front illumination

All dimensions in mm

Height of letters h	Number of lines	Number of capital letters per line(target value)	Number of small letters per line (target value)
2.5	5	9	9-10
3.0	4	7-8	8
4.0	3	5-6	6
5.0	2	4-5	4-5
6.0	2	3-4	4
8.0	1	2-3	3



The gap between two words results in each case a letter less.

Important: Consider lens holder mounting orientation before specifying engraving characters!

Engraving legend plates

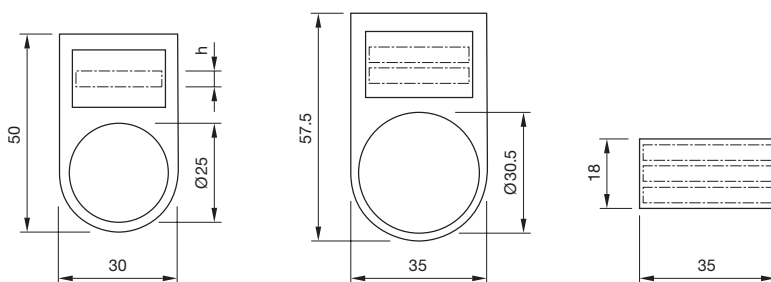
All dimensions in mm

Dimension	Devices mounting style	Height of letters h	Number of lines	Number of letters per line (target value)	Image
30 x 50	round, raised	3	2	12	B1
		4	1	7	B1
		8	1	4	B1
35 x 57.5	round, flush	3	2	12	B2
		4	1	7	B2
		8	1	4	B2
18 x 35	square, flush	3	3	16	B3
		4	2	10	B3

B1

B2

B3



The gap between two words results in each case a letter less.

Standard texts for marking plates and marking caps for Indicator and Illuminated Pushbutton

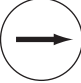








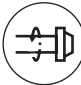





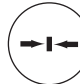


















Height of letters 6 mm

Part No. 704.609.912001	Part No. 704.609.912002	Part No. 704.609.912003	Part No. 704.609.912004
Part No. 704.609.912005	Part No. 704.609.912006	Part No. 704.609.912007	Part No. 704.609.912008
Part No. 704.609.912009	Part No. 704.609.912010	Part No. 704.609.912011	Part No. 704.609.912012
Part No. 704.609.912013	Part No. 704.609.912014	Part No. 704.609.912015	Part No. 704.609.912016
Part No. 704.609.912017	Part No. 704.609.912018		

04 Marking

Symbols for marking plates and marking caps for Indicator and Illuminated Pushbutton

All marking plates with the printed article-numbers are available for flat lenses, marking cap only on request.

 Part No. 704.609.910001 Direction of linear rectilinear motion (also for \rightarrow \downarrow \uparrow)	 Part No. 704.609.910002 Linear motion in 2 directions (also for \downarrow)	 Part No. 704.609.910004 Limited linear motion (also for \leftarrow \uparrow \downarrow)	 Part No. 704.609.910007 Direction of continuous rotation (right)
 Part No. 704.609.9100071 Direction of continuous rotation (left)	 Part No. 704.609.910008 Rotation in 2 directions	 Part No. 704.609.910009 Direction of interrupted rotation (right)	 Part No. 704.609.910010 Limited rotation (right)
 Part No. 704.609.9100101 Limited rotation (left)	 Part No. 704.609.910013 Direction of spindle rotation	 Part No. 704.609.910026 Rapid traverse	 Part No. 704.609.910028 Increase of value (speed, for instance)
 Part No. 704.609.910029 Decrease of value (speed, for instance)	 Part No. 704.609.910041 Electric motor	 Part No. 704.609.910048 Pump (general symbol)	 Part No. 704.609.9100631 Lock or tighten
 Part No. 704.609.9100632 Lock or tighten	 Part No. 704.609.9100641 Unlock, unclamp	 Part No. 704.609.9100642 Unlock, unclamp	 Part No. 704.609.910065 Brake on
 Part No. 704.609.910066 Brake off	 Part No. 704.609.910067 Automatic (or semi-automatic) cycle	 Part No. 704.609.910068 Hand control	 Part No. 704.609.910069 Start, on
 Part No. 704.609.910070 Stop, off	 Part No. 704.609.910071 Start and stop with same button	 Part No. 704.609.910072 In action as long as button is operated	 Part No. 704.609.910074 Engaging (mechanical start)
 Part No. 704.609.910075 Disengaging (mechanical stop)	 Part No. 704.609.910092 Danger (high voltage)!	 Part No. 704.609.910093 Caution!	 Part No. 704.609.910101 Coolant fluid
 Part No. 704.609.910102 Machine lighting	 Part No. 704.609.910108 Blast		

Terminal Markings

We supply the switch elements with terminal marking labels inserted, the figures always being visible for the first element (immediately following the actuator). Therefore, when two switch elements are used, these inserts have to be turned for the second element.

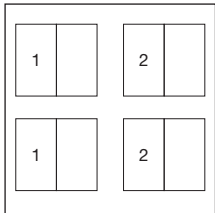
Then the numbers appear as described under III.

If more than two switch elements are used, this should be noted on your order, in order that we may insert and deliver the marking labels accordingly.

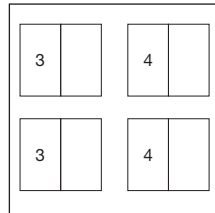
I. Consecutive numbering of switch systems

(2 per switch element)

First switch element



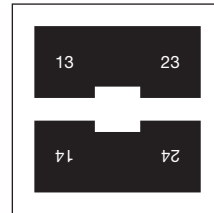
Second switch element



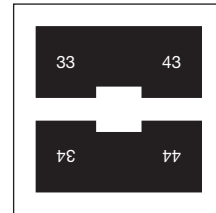
When more than 2 switch elements are used, the numbering is sequenced accordingly (5, 6 etc.).

III. Example of the correct insertion of the labels for 2 switch elements with normally open contacts

First switch element



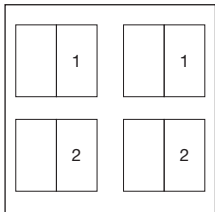
Second switch element



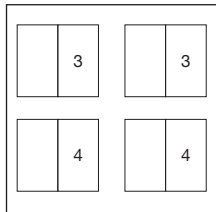
Labels for normally closed and normally closed/normally open contacts should be inserted accordingly.

II. Marking of normally closed contact, normally open contact and their combinations

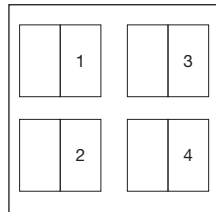
Normally closed (1–2)



Normally open (3–4)



Normally closed/open



04 Application guidelines

Suppressor circuits

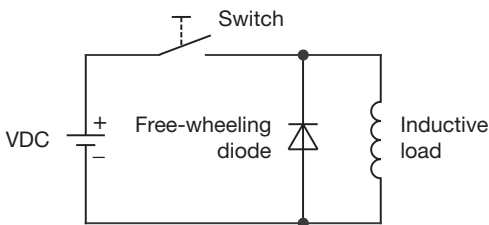
When switching inductive loads such as relays, DC motors, and DC solenoids, it is always important to absorb surges (e.g. with a diode) to protect the contacts. When these inductive loads are switched off, a counter emf can severely damage switch contacts and greatly shorten lifetime.

Fig. 1 shows an inductive load with a free-wheeling diode connected in parallel. This free-wheeling diode provides a path for the inductor current to flow when the current is interrupted by the switch. Without this free-wheeling diode, the voltage across the coil will be limited only by dielectric breakdown voltages of the circuit or parasitic elements of the coil. This voltage can be kilovolts in amplitude even when nominal circuit voltages are low (e.g. 12VDC) see Fig. 2.

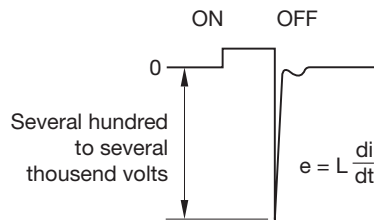
The free-wheeling diode should be chosen so that the reverse breakdown voltage is greater than the voltage driving the inductive load. The DC blocking voltage (V_R) of the free-wheeling diode can be found in the datasheet of a diode. The forward current should be equal or greater than the maximum current flowing through the load.

To get an efficient protection, the free-wheeling diode must be connected as close as possible to the inductive load!

Switching with inductive load
Fig. 1



Counter EMF
over load without free-wheeling diode
Fig. 2



Part No.	Page	Part No.	Page	Part No.	Page
704.907.5.....	138	704.917.4FS.....	145	704.960.5.....	134
704.908.1.....	138	704.917.5.....	138	704.960.8.....	163
704.908.2.....	138	704.917.5.....	142	704.960.8A.....	163
704.908.3.....	138	704.918.1.....	138	704.960.9.....	165
704.908.4.....	138	704.918.1.....	142	704.963.0.....	159
704.908.5.....	138	704.918.2.....	138	704.963.1.....	159
704.910.1.....	140	704.918.2.....	142	704.963.2.....	159
704.910.1.....	143	704.918.3.....	138	704.963.3.....	159
704.910.1B.....	141	704.918.3.....	142	704.963.4.....	159
704.910.2.....	140	704.918.4.....	138	704.963.5.....	159
704.910.2.....	143	704.918.4.....	142	704.963.6.....	159
704.910.2B.....	141	704.918.4FS.....	145	704.963.7.....	159
704.910.3.....	140	704.918.5.....	138	704.963.8.....	159
704.910.3.....	143	704.918.5.....	142	704.963.9.....	159
704.910.3B.....	141	704.925.0.....	131	704.964.5.....	148
704.910.4.....	140	704.925.2.....	131	704.964.7.....	132
704.910.4.....	143	704.925.3.....	131	704.964.8.....	132
704.910.4B.....	141	704.925.7.....	130	704.964.9.....	132
704.910.4BFS.....	144	704.925.8.....	129	704.965.1.....	149
704.910.4FS.....	144	704.925.9.....	129	704.965.2.....	149
704.910.5.....	140	704.927.6.....	161	704.965.3.....	149
704.910.5.....	143	704.927.6A.....	161	704.965.4.....	149
704.910.5B.....	141	704.927.6B.....	161	704.965.5.....	149
704.911.1.....	140	704.927.6C.....	161	704.965.6.....	149
704.911.1.....	143	704.927.8.....	160	704.965.7.....	149
704.911.2.....	140	704.927.9.....	160	704.965.8.....	149
704.911.2.....	143	704.928.18.....	130	704.965.9.....	149
704.911.3.....	140	704.928.28.....	130	704.966.0.....	149
704.911.3.....	143	704.928.38.....	130	704.966.1.....	149
704.911.3B.....	141	704.940.8.....	164	704.966.2.....	149
704.911.4.....	140	704.940.9.....	164	704.968.0.....	119
704.911.4.....	143	704.941.0.....	157	704.968.1.....	119
704.911.4/DFS.....	144	704.941.1.....	164	704.968.10.....	120
704.911.4B.....	141	704.941.5.....	157	704.968.11.....	120
704.911.4BFS.....	144	704.941.5P.....	157	704.968.12.....	120
704.911.4FS.....	144	704.941.9.....	158	704.968.13.....	120
704.911.5.....	140	704.942.5.....	155	704.968.2.....	119
704.911.5.....	143	704.942.5P.....	155	704.968.3.....	119
704.911.5B.....	141	704.943.0.....	133	704.968.4.....	120
704.912.1.....	140	704.943.1.....	133	704.968.5.....	120
704.912.1.....	143	704.943.2.....	133	704.970.3.....	156
704.912.3.....	140	704.943.2P.....	133	704.970.4.....	156
704.912.3.....	143	704.943.5.....	133	704.970.5.....	156
704.912.4.....	140	704.945.0.....	162	704.970.6.....	156
704.912.4.....	143	704.945.1.....	167	704.989.251.....	131
704.912.5.....	140	704.945.2.....	167	704.990.0.....	166
704.912.5.....	143	704.945.3.....	167	704.990.1.....	149
704.915.1.....	139	704.945.4.....	167	98-968.....	165
704.915.1.....	142	704.945.5.....	167	IK 07.....	161
704.915.1/D.....	139	704.945.6.....	162	IK 07.....	161
704.915.1/D.....	143	704.945.6.....	166	IK 07.....	161
704.915.2.....	139	704.945.7.....	162	IK 07.....	161
704.915.2.....	142	704.945.8.....	162		
704.915.2/D.....	139	704.950.0.....	135		
704.915.2/D.....	143	704.950.0B.....	135		
704.915.3.....	139	704.950.1.....	135		
704.915.3.....	142	704.950.1/D.....	135		
704.915.3/D.....	139	704.950.2/D.....	135		
704.915.3/D.....	143	704.950.3.....	135		
704.915.4.....	139	704.950.5.....	134		
704.915.4.....	142	704.951.0.....	136		
704.915.4/D.....	139	704.951.1.....	136		
704.915.4/D.....	143	704.951.1/D.....	136		
704.915.4/DFS.....	144	704.951.3.....	136		
704.915.4FS.....	144	704.952.129.3.....	137		
704.915.5.....	139	704.952.159.3.....	137		
704.915.5.....	142	704.953.0.....	128		
704.915.5/D.....	139	704.954.0.....	163		
704.915.5/D.....	143	704.955.0.....	126		
704.917.1.....	138	704.955.1.....	126		
704.917.1.....	142	704.955.10.....	126		
704.917.2.....	138	704.955.3.....	127		
704.917.2.....	142	704.955.4.....	127		
704.917.3.....	138	704.955.9.....	126		
704.917.3.....	142	704.955.9E.....	127		
704.917.4.....	138	704.960.0.....	163		
704.917.4.....	142	704.960.4.....	132		

X-ON Electronics

Largest Supplier of Electrical and Electronic Components

Click to view similar products for [Switch Contact Blocks / Switch Kits](#) category:

Click to view products by [EAO](#) manufacturer:

Other Similar products are found below :

[61-8460.22](#) [61-8520.12](#) [61-8610.37](#) [61-8620.17](#) [61-8620.37](#) [61-8655.11](#) [61-8670.37](#) [61-8675.11](#) [61-8720.17](#) [61-8720.37](#) [61-8725.11](#)
[M2SA-7010](#) [704.902.3](#) [704-9051](#) [704.905.2](#) [704.907.1](#) [704.918.5](#) [704.942.5](#) [84-8515.8640](#) [A22-11A](#) [A3KJ-7010](#) [A02502](#) [A22RL-FY-M](#)
[GLZ304](#) [31-942](#) [31-941](#) [XESP2021](#) [61-8440.12](#) [61-8670.17](#) [61-8745.17](#) [61-9823](#) [704.908.1](#) [704.908.3](#) [704.908.5](#) [704.915.3](#) [704-9101](#) [HA-](#)
[C2V](#) [A22-02A](#) [A22-12AA](#) [A3PJ-7050-1](#) [704.907.3](#) [61-8610.17](#) [LSZ3H](#) [A22-12AY](#) [704.918.4](#) [84-8511.3620](#) [A3PJ-7020](#) [5.00.100.105/0000](#)
[84-8511.5320](#) [A02509](#)