

Lamp block

704.950.3



<https://eao.com/p/704.950.3>

Your product:



704.950.3 Lamp block

ELECTRICAL CHARACTERISTICS

Standards: The switches comply with the "Standards for low-voltage switching devices" DIN EN 60947-1/DIN EN 60947-5-1

MECHANICAL CHARACTERISTIC

Terminal: Push-in terminal

Switching positions: 2 positions

Wire cross section: Max. wire cross-section 2 wires with 1 mm
Skinning wire 8 mm
Max. wire cross-section of stranded cable 2 x 0.75 mm²
use stranded wires only with wire end ferrules of 8 mm length
Only one polarity is allowed on each side when wiring.

Weight: 0.014 kg

AMBIENT CONDITION

IP Protection: IP20

Operating temperature: - 40 °C ... + 55 °C

Storage temperature: - 40 °C ... + 85 °C

Shock resistance: Max. 300 m/s², pulse width 11 ms (sinusoidal EN IEC 60068-2-27)

Vibration resistance: Max. 100 m / s² from 10 Hz ... 500 Hz, (sinusoidal EN IEC 60068-2-6)

Climate resistance: Relative humidity, max. 95%, non-condensing

CERTIFICATE

REACH: REACH compliant

RoHS: RoHS compliant

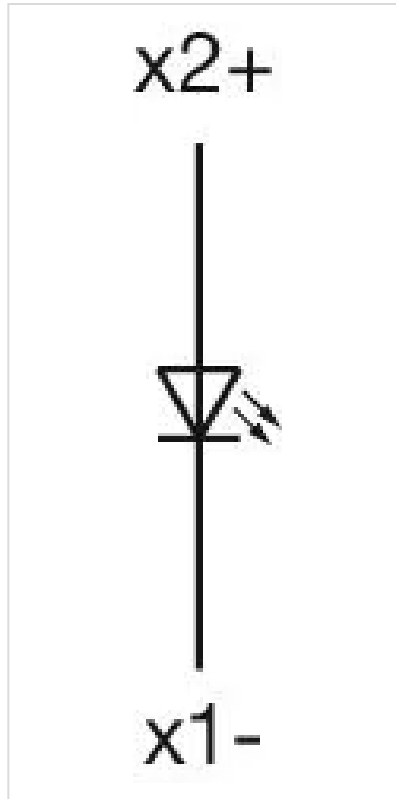
OTHER

Short Description: Lamp block, Plastic, Push-in terminal

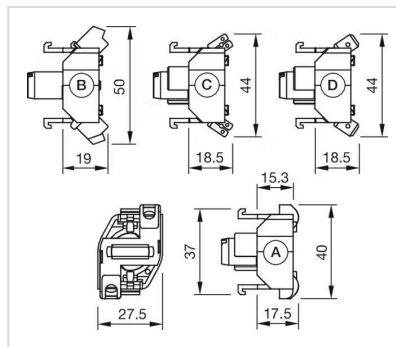
Housing material: Plastic

Hints: When using the lamp block, the application guidelines must be observed.

Wiring diagrams:



Dimension drawings:



A = Screw terminal
B = Push-in terminal (PIT)
C = Plug-in terminal 6.3 mm x 0.8 mm
D = Double plug-in terminal 6.3 mm x 0.8 mm

Where to Buy

X-ON Electronics

Largest Supplier of Electrical and Electronic Components

Click to view similar products for [Industrial Panel Mount Indicators / Switch Indicators](#) category:

Click to view products by [EAO](#) manufacturer:

Other Similar products are found below :

[LW1A-P1-GD](#) [LW1A-P1-W](#) [A0142N5](#) [APD106LN-G](#) [ATN2100](#) [HW1A-L1-GD](#) [HW1A-P2-GL](#) [HW1X-BM411-R](#) [HW2A-L1-GL](#)
[HWAZ1N-OB](#) [PAMR25](#) [LSPD-120A](#) [LSPD-1Y](#) [LSPD-6A](#) [LSPD-6DA](#) [LSPD-6DW](#) [LSPD-6DY](#) [LSPD-6R](#) [LSPD-6W](#) [AL6H-LK3-A](#)
[AL6H-P4-JW](#) [AL6M-LK1-MG](#) [APN106L-O](#) [21-931.9](#) [CPSLED24](#) [AVLN3LD-R](#) [AYLW4L-G](#) [5000211OPAQUELENS](#) [HW2A-L1-GD](#)
[HW2A-P1-GL](#) [LAY-1](#) [LB6P-1T04A](#) [LB6P-1T04G](#) [LSPD-1A](#) [LSPD-1W](#) [LSPD-6DG](#) [LSPD-6DR](#) [LSPD-6Y](#) [10-2312.1062](#) [10-2313.1069](#)
[10-5309.3202](#) [10-6412.3162](#) [5.49227.0041301](#) [UPQN06LD-A](#) [600-5170-00](#) [PA2110/1](#) [A16-5DA](#) [5.00.070.021/0000](#) [A0142M1SP](#)
[5.49.233.008/1502](#)