

# Smart Box (part no. 73-00001.1)

## Technical specifications

### Description

Housing with two Series 84 white illuminated pushbuttons, directly wired to a 5 pin M12 plug. The housing and switches are sealed to IP67  
**Pushbutton lenses to be ordered separately**



### Shipped

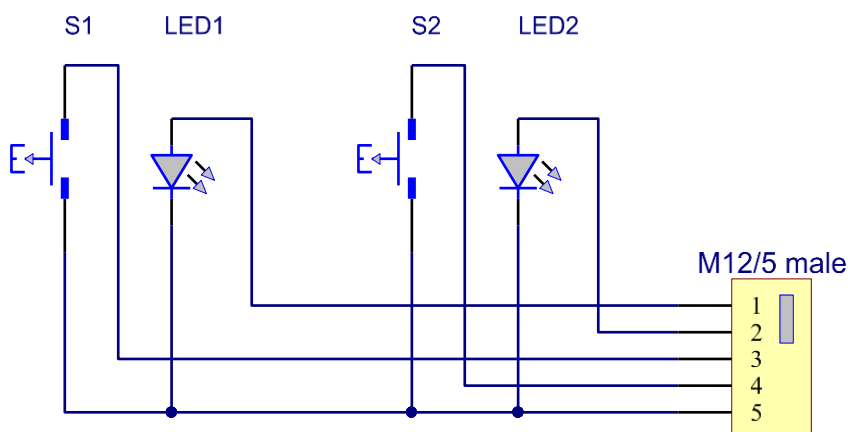
- Without lenses
- with mounting adapter
- with marking plate

### Equipment

Connection:	M12 5-pin plug, male, A-coding
Control element position [S1]:	S84 button without lens / white LED Base product: Part no. 84-1101.0
Control element position [S2]:	S84 button without lens / white LED Base product: Part no. 84-1101.0

### Connector pin assignment

Pin 1:	LED1 Positive terminal
Pin 2:	LED2 Positive terminal
Pin 3:	S1 button terminal
Pin 4:	S2 button terminal
Pin 5:	Shared terminal Button S1 / S2 / LED1 / LED2



### Electrical characteristics

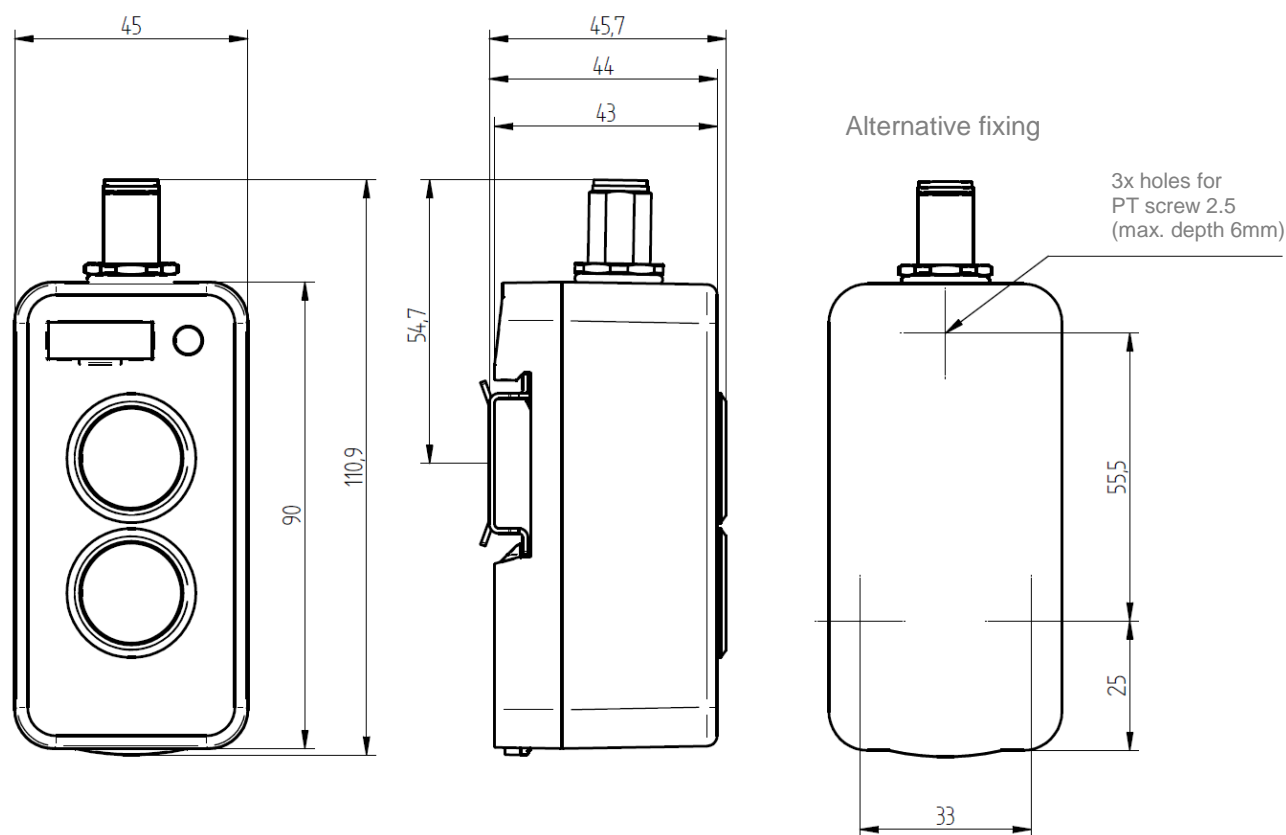
Switch operating voltage:	Maximum 30VDC
Switching rate:	10µA ... 100mA / Maximum 2W
LED operating voltage:	24VDC
White LED operating current:	10mA ±10% at 24VDC

Please refer to EAO Series 84 for more technical data on the mounted switches / LEDs.

Mechanical characteristics

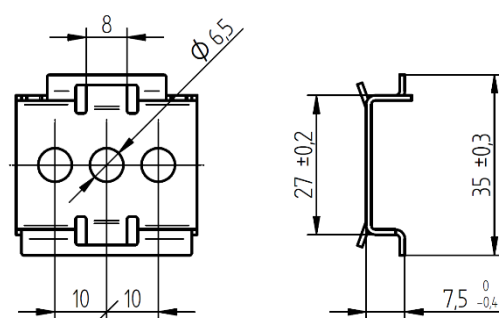
Dimensions:

See dimensional diagrams  
(Female M12 connector not included)



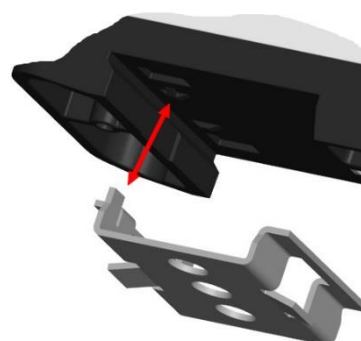
Mounting

- Mount mounting adapter onto mounting surface
- Mount Smart Box on one side (note direction of mounting adapter on the housing)
- Push the housing down onto the adaptor on the other side until the Smart Box audibly clicks into place
- Alternatively, the module can be mounted on a standard top hat rail, or it can be mounted on a base using screws on the rear (see dimensional diagrams).



Dismantling

- Pull out spring element using screwdriver and lift Smart Box
- Remove Smart Box from the other side



### Operating temperatures

Temperature range:	Rated temperature:	25°C
	Operating temperature:	-25 ... 60°C
	Storage temperature:	-40 ... 85°C

### Materials

Upper part of housing:	PBT / UL-V0 / colour similar to RAL9010
Lower part of housing:	PBT / UL-V0 / colour similar to RAL9011
Spring element (for restraint):	POM (nature)
Seal:	MVQ silicone foam bright
Blind plug:	PC / glass clear
Mounting adaptor:	Stainless steel 1.4301 / surface vibratory finish
Housing screws:	Stainless steel A2
Marking plate:	Black PVC / surface aluminium-coloured, adhesive
M12 connector housing:	Die cast zinc

### Standards

Degree of protection:	IP67 (with mounted female connector / lenses)
Insulation:	EN 60664-1:2008 / degree of contamination I / insulation material IIIa/b
EMC:	Defined based on components of EAO Series 84
Vibrations:	EN 60068-2-6:2008-10 / 10 – 150Hz / 2g
Shock:	EN 60068-2-27:2010-02 / 15g / 11ms
Conformity	CE

**EAO reference number:**                      **Part no. 73-00001.1**

EAO reserves the right to change specifications without further notice.

## X-ON Electronics

Largest Supplier of Electrical and Electronic Components

*Click to view similar products for [Emergency Stop Switches / E-Stop Switches](#) category:*

*Click to view products by [EAO manufacturer](#):*

Other Similar products are found below :

[84-6830.0020](#) [AVN302N-R](#) [3050.1302Y](#) [44-710](#) [84-6841.2B20](#) [ZA2BV05](#) [951FY000-WO](#) [ER6022-022N](#) [952+2000-00](#) [ES3S51653001](#)  
[601+0000-OP](#) [E100-A2A22S05A](#) [XCSEA802](#) [XCSB502](#) [2TLA030051R0100](#) [D2D 1009M](#) [D2D 1013H](#) [AZM 170SK-02ZRKA 24VAC/DC](#)  
[84-6820.0020A](#) [84-6820.0040](#) [XY2CH13250H29](#) [XCSDMR590L01M12](#) [XCSTA892](#) [XCSMP80L5](#) [FB1W-HW1B-M220B](#) [FB1W-HW1B-](#)  
[X401R](#) [84-5221.2B20](#) [AZM KEY \(M5\)](#) [AZ 17/170-B15](#) [AZM 161SK-12/12RKA-110/230](#) [AZM 415-11/11ZPK 24VAC/DC](#) [AZM 415-](#)  
[11/11ZPKA 24VAC/DC](#) [AZM 161-B1S](#) [AZ 15/16-B1-2245](#) [AZ 17/170-B11](#) [AZ 17-11ZI B5](#) [BNS 40S-12Z 10,0M](#) [AZ 16-02ZVRK-ST](#)  
[AZ/AZM 415-B2](#) [AZ/AZM 415-B3](#) [MZM 100-B1.1](#) [A-K8P-M12-S-G-5M-BK-2-X-A-4-69](#) [A-K8P-M12-S-G-10M-BK-2-X-A-4-69](#) [A-K5P-](#)  
[M12-S-G-10M-BK-2-X-A-4-69](#) [A-K4P-M12-S-G-2M-BK-2-X-A-4-69](#) [AZ/AZM201-B30-RTAG1P1-SZ](#) [SK-BETÄTIGER M3](#) [SK-BET.M4](#)  
[KPL. M.KAP.](#) [BETÄTIGER A1 KPL.](#) [SK-A2Z M](#)