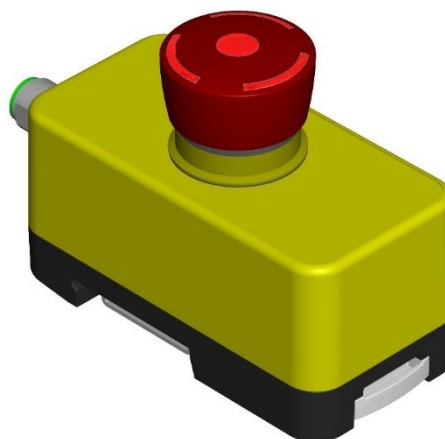


E-Stop Smart Box (part no. 73-00002.2)

Technical specifications

Description

Emergency stop Smart Box wired to 8 pin M12 plug with red illuminated 2NC emergency stop switch. The housing and switch are sealed to IP65 when assembled and connected to a suitable M12 cable



Shipped:

- with mounting adapter
- with red illuminated emergency stop switch internally wired to 8-pin M12 plug

Equipment

Connection:

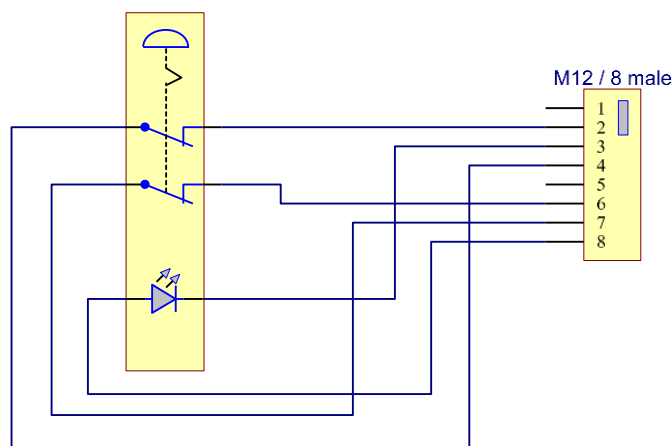
M12 8-pin plug, male, A-coding

Control element:

Series 84 emergency stop switch / fully illuminated / part no. 84-5141.2B20

Connector pin assignment

| | |
|--------|-----------------------|
| Pin 1: | (Unused) |
| Pin 2: | Contact 'a' |
| Pin 3: | LED negative terminal |
| Pin 4: | Contact 'a' |
| Pin 5: | (Unused) |
| Pin 6: | Contact 'b' |
| Pin 7: | Contact 'b' |
| Pin 8: | LED positive terminal |



Electrical characteristics

Button operating voltage:

Maximum 30VDC

Switching rate:

Maximum 2A / contact

LED operating voltage

5VDC ... 30VDC

For further technical data regarding the emergency stop switch, please refer to the EAO data sheet 84-5141.2B20.

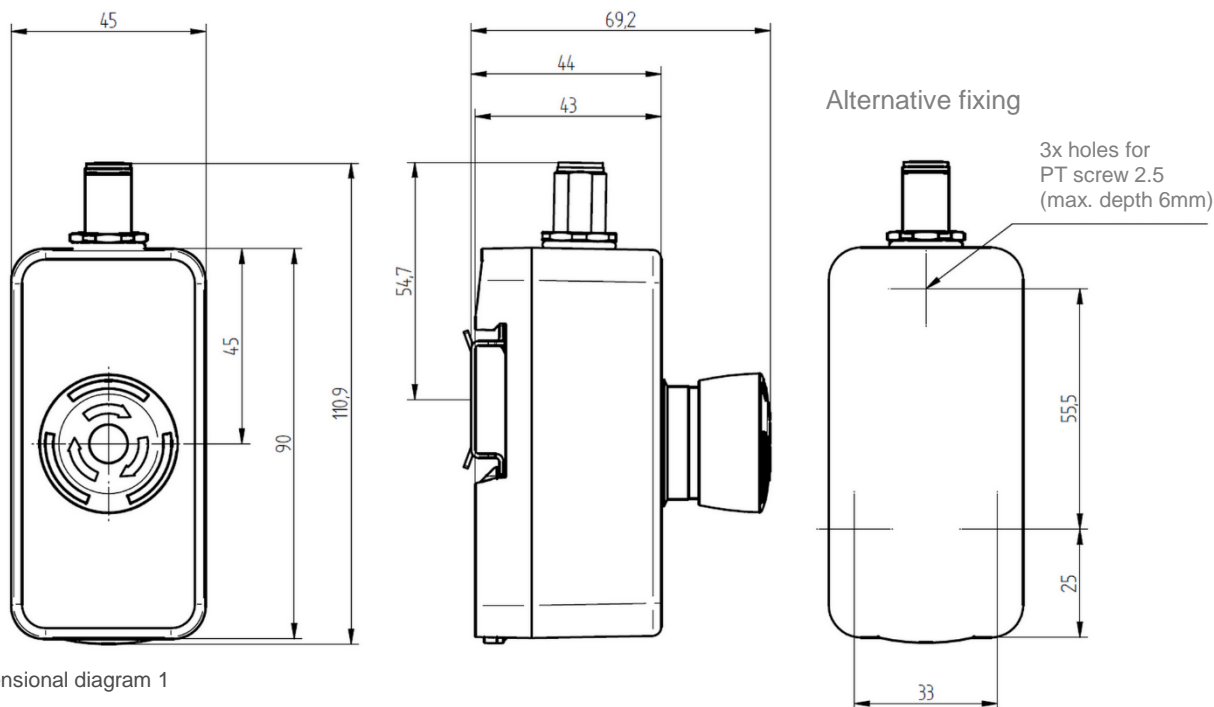
Mechanical characteristics

External dimensions:

See dimensional diagram 1
(Female M12 connector not included)

Note:

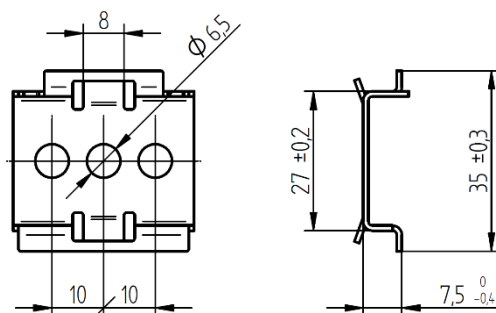
- The dimensional diagram shows the housing with the emergency stop switch and M12 plug installed
- All side walls exhibit a pull of around 1°.



Dimensional diagram 1

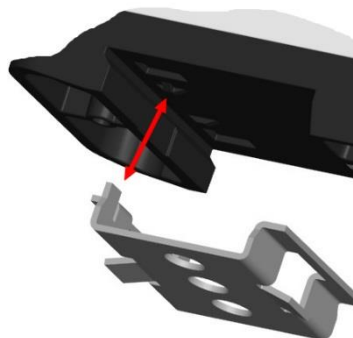
Mounting

- Mount mounting adapter onto mounting surface
- Mount emergency stop Smart Box on one side (note direction of mounting adapter on the housing)
- Push the Smart Box onto the adaptor on the other side until it audibly clicks into place
- Alternatively, the module can be mounted on a standard top hat rail, or it can be mounted on a base using screws on the rear (see dimensional diagrams).



Dismantling

- Pull out spring element using screwdriver and lift Smart Box
- Remove Smart Box from the other side



Operating temperatures

| | | |
|--------------------|------------------------|--------------|
| Temperature range: | Rated temperature: | 25°C |
| | Operating temperature: | -25 ... 60°C |
| | Storage temperature: | -25 ... 80°C |

Materials

| | |
|---------------------------------|---|
| Upper part of housing: | PBT / UL-V0 / colour similar to RAL1004 |
| Lower part of housing: | PBT / UL-V0 / colour similar to RAL9011 |
| Spring element (for restraint): | POM (nature) |
| Seal: | MVQ silicone foam bright |
| Mounting adaptor: | Stainless steel 1.4301 / surface vibratory finish |
| Housing screws: | Stainless steel A2 |
| M12 connector housing: | Die cast zinc |

Standards

| | |
|---|--|
| Degree of protection: | IP65 (with mounted female connector and emergency stop switch) |
| Insulation: | EN 60664-1:2008 / degree of contamination I / insulation material IIIa/b |
| EMC: | Defined based on components of EAO Series 84 |
| Vibrations: | EN 60068-2-6:2008-10 / 10 – 150Hz / 2g |
| Shock: | EN 60068-2-27:2010-02 / 15g / 11ms |
| Approvals (emergency stop switch only) | EN 60947-5-1 / EN 60947-5-5 / EN 13850 / EN 60204 |
| Approvals (emergency stop switch only) | UL / CB IEC 60947 |
| Conformity | CE |

EAO reference number: **Part no. 73-00002.2**

EAO reserves the right to change specifications without further notice.

X-ON Electronics

Largest Supplier of Electrical and Electronic Components

Click to view similar products for [Emergency Stop Switches / E-Stop Switches](#) category:

Click to view products by [EAO](#) manufacturer:

Other Similar products are found below :

[84-6830.0020](#) [AVN302N-R](#) [3050.1302Y](#) [44-710](#) [84-6841.2B20](#) [ZA2BV05](#) [951FY000-WO](#) [ER6022-022N](#) [952+2000-00](#) [ES3S51653001](#)
[601+0000-OP](#) [E100-A2A22S05A](#) [XCSEA802](#) [XCSB502](#) [2TLA030051R0100](#) [D2D 1009M](#) [D2D 1013H](#) [AZM 170SK-02ZRKA 24VAC/DC](#)
[84-6820.0020A](#) [84-6820.0040](#) [XY2CH13250H29](#) [XCSDMR590L01M12](#) [XCSTA892](#) [XCSMP80L5](#) [FB1W-HW1B-M220B](#) [FB1W-HW1B-](#)
[X401R](#) [84-5221.2B20](#) [AZM KEY \(M5\)](#) [AZ 17/170-B15](#) [AZM 161SK-12/12RKA-110/230](#) [AZM 415-11/11ZPK 24VAC/DC](#) [AZM 415-](#)
[11/11ZPKA 24VAC/DC](#) [AZM 161-B1S](#) [AZ 15/16-B1-2245](#) [AZ 17/170-B11](#) [AZ 17-11ZI B5](#) [BNS 40S-12Z 10,0M](#) [AZ 16-02ZVRK-ST](#)
[AZ/AZM 415-B2](#) [AZ/AZM 415-B3](#) [MZM 100-B1.1](#) [A-K8P-M12-S-G-5M-BK-2-X-A-4-69](#) [A-K8P-M12-S-G-10M-BK-2-X-A-4-69](#) [A-K5P-](#)
[M12-S-G-10M-BK-2-X-A-4-69](#) [A-K4P-M12-S-G-2M-BK-2-X-A-4-69](#) [AZ/AZM201-B30-RTAG1P1-SZ](#) [SK-BETÄTIGER M3](#) [SK-BET.M4](#)
[KPL. M.KAP.](#) [BETÄTIGER A1 KPL.](#) [SKT-U1Z M3](#)