

Series 84

Characteristics

The compact 22.5 mm Series 84 is especially suited for:

- Flush design
- Raised design
- PCB mounting

The extremely small mounting depth makes this series highly suited for installation in flat, narrow casings. In combination with PCB fitting, Series 84 offers optional HALO illumination with attractive combination options and a wide variety of designs.

Functions

The Series 84 incorporates the following functions:

- Indicator
- Pushbutton
- Illuminated pushbutton
- E-STOP switch

Market segments

The EAO Series 84 is especially suited for applications in the segments:

- Public transport
- Machinery and Automation
- Construction machines and special-purpose vehicles
- Lifting and moving
- Panel building
- Medicinal technology
- Laboratory and measuring equipment

Please refer to the EAO website to obtain detailed information regarding this series www.products.eao.com
Configure a product to your exact needs and request a quotation.



Overview**Flush design**

Indicator	4
Illuminated pushbutton	6
Pushbutton	10
Indicator with halo illumination	14
Pushbutton with halo illumination	16
Indicator with halo illumination (multi-colour)	18
Pushbutton with halo illumination (multi-colour)	19

Raised design

Emergency-stop switch	20
Stop switch	22

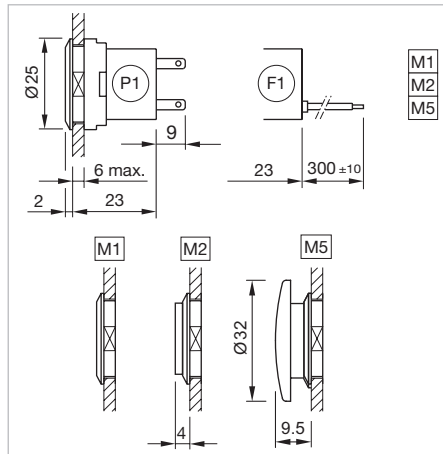
Accessories**24****Drawings****51****Technical data****53****Application guidelines****58****Index****61**

84 Flush design

Indicator standard

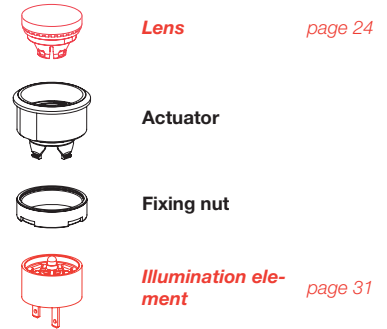


Product can differ from the current configuration.



Dimensions [mm]
 F1 = Flat ribbon cable,
 P1 = Plug-in terminal 2.8 x 0.8 mm,
 M1 = Lens level with bezel,
 M2 = Lens raised above bezel
 M5 = Mushroom-head cap

Equipment consisting of (schematic overview)

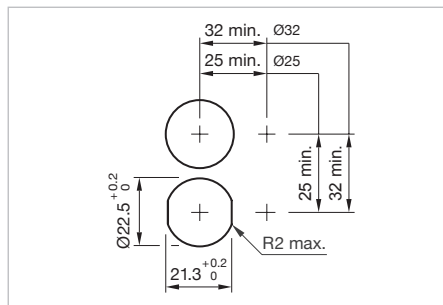


Each Part Number listed below includes all the black components shown in the 3D-drawing.


To obtain a complete unit, please select the red components from the pages shown.

Additional Information

- Illuminated lens, non-illuminated bezel
- The colour of anodized aluminium parts can vary due to technical production reasons



Mounting cut-outs [mm]

Front protection	Front ring	Part No.	Weight
 <p>Indicator actuator standard, Front dimension Ø 25 mm</p>	Plastic black	84-3100.0	0.004 kg
	Plastic black	84-0100.0	0.003 kg
	Aluminium natural anodized	84-0200.7	0.008 kg

Indicator PCB standard

Equipment consisting of (schematic overview)



Lens *page 24*



Actuator



Fixing nut



Mounting flange *page 37*



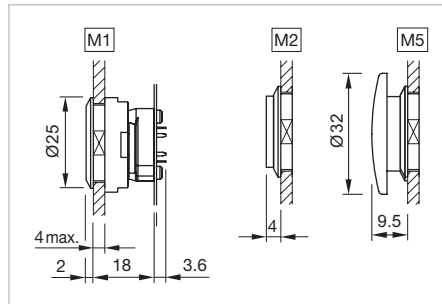
LED *page 39*



Illumination element *page 36*

Each Part Number listed below includes all the black components shown in the 3D-drawing.

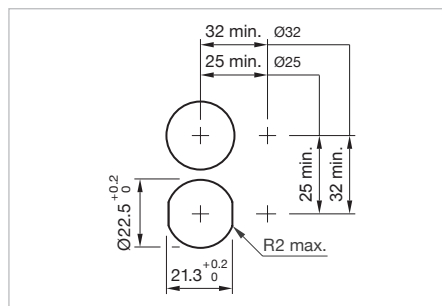
To obtain a complete unit, please select the red components from the pages shown.



Dimensions [mm]
 M1 = Lens level with bezel
 M2 = Lens raised above bezel
 M5 = Mushroom-head cap




Product can differ from the current configuration.



Mounting cut-outs [mm]

Additional Information

- Illuminated lens, non-illuminated bezel
- The colour of anodized aluminium parts can vary due to technical production reasons

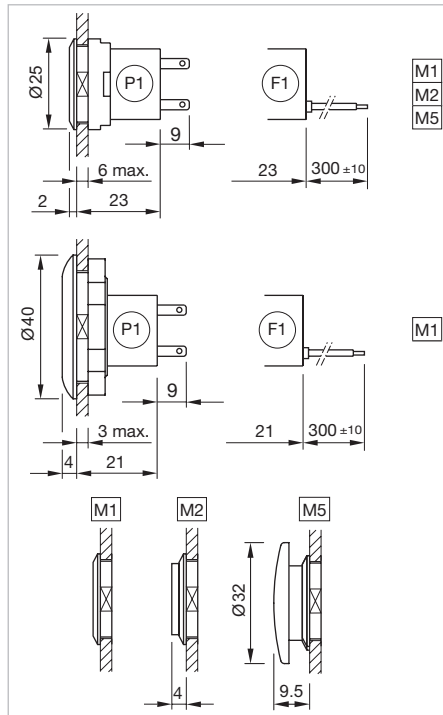
Front protection	Front ring	Part No.	Weight
 <p>Indicator actuator PCB standard, Front dimension Ø 25 mm</p>	Plastic black	84-3100.0	0.004 kg
	Plastic black	84-0100.0	0.003 kg
	Aluminium natural anodized	84-0200.7	0.008 kg

84 Flush design

Illuminated pushbutton standard

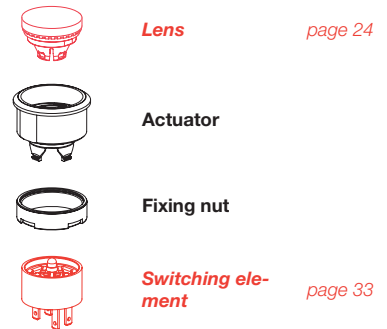


Product can differ from the current configuration.



Dimensions [mm]
 F1 = Flat ribbon cable,
 P1 = Plug-in terminal 2.8 x 0.8 mm,
 M1 = Lens level with bezel,
 M2 = Lens raised above bezel,
 M5 = Mushroom-head cap

Equipment consisting of (schematic overview)

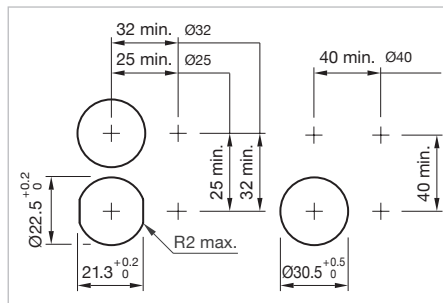


Each Part Number listed below includes all the black components shown in the 3D-drawing.

To obtain a complete unit, please select the red components from the pages shown.

Additional Information

- Illuminated lens, non-illuminated bezel
- The colour of anodized aluminium parts can vary due to technical production reasons



Mounting cut-outs [mm]

Front protection	Front ring	Switching action	Part No.	Wiring diagram	Weight
	Illuminated pushbutton standard, Front dimension Ø 40 mm				
IP 67	Aluminium natural anodized	B	84-1221.7	1	0.022 kg
	Illuminated pushbutton standard, Front dimension Ø 25 mm				
IP 40	Plastic black	B	84-2101.0	1	0.004 kg
IP 67	Plastic black	B	84-1101.0	1	0.003 kg
	Aluminium black anodized	B	84-1201.0	1	0.008 kg
	Aluminium red anodized	B	84-1201.2	1	0.008 kg

Front protection	Front ring	Switching action	Part No.	Wiring diagram	Weight
IP 67	Aluminium gold anodized	B	84-1201.4	1	0.008 kg
	Aluminium olive-green anodized	B	84-1201.5	1	0.008 kg
	Aluminium blue anodized	B	84-1201.6	1	0.008 kg
	Aluminium natural anodized	B	84-1201.7	1	0.008 kg

Switching action: B = Momentary

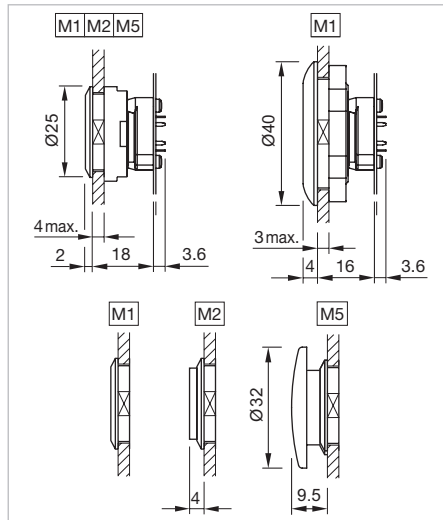


84 Flush design

Illuminated pushbutton PCB standard

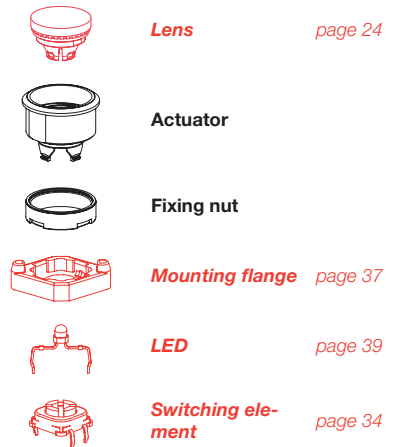


Product can differ from the current configuration.



Dimensions [mm]
 M1 = Lens level with bezel,
 M2 = Lens raised above bezel,
 M5 = Mushroom-head cap

Equipment consisting of (schematic overview)

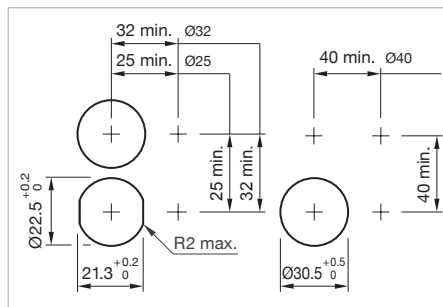


Each Part Number listed below includes all the black components shown in the 3D-drawing.

To obtain a complete unit, please select the red components from the pages shown.

Additional Information

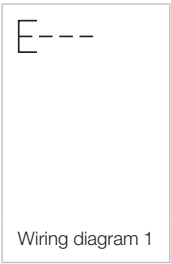
- Illuminated lens, non-illuminated bezel
- The colour of anodized aluminium parts can vary due to technical production reasons



Mounting cut-outs [mm]

Front protection	Front ring	Switching action	Part No.	Wiring diagram	Weight
	Illuminated pushbutton actuator PCB standard, Front dimension Ø 40 mm				
IP 67	Aluminium natural anodized	B	84-1221.7	1	0.022 kg
	Illuminated pushbutton actuator PCB standard, Front dimension Ø 25 mm				
IP 40	Plastic black	B	84-2101.0	1	0.004 kg
IP 67	Plastic black	B	84-1101.0	1	0.003 kg
	Aluminium black anodized	B	84-1201.0	1	0.008 kg
	Aluminium red anodized	B	84-1201.2	1	0.008 kg
	Aluminium gold anodized	B	84-1201.4	1	0.008 kg
	Aluminium olive-green anodized	B	84-1201.5	1	0.008 kg
	Aluminium blue anodized	B	84-1201.6	1	0.008 kg
	Aluminium natural anodized	B	84-1201.7	1	0.008 kg

Switching action: B = Momentary

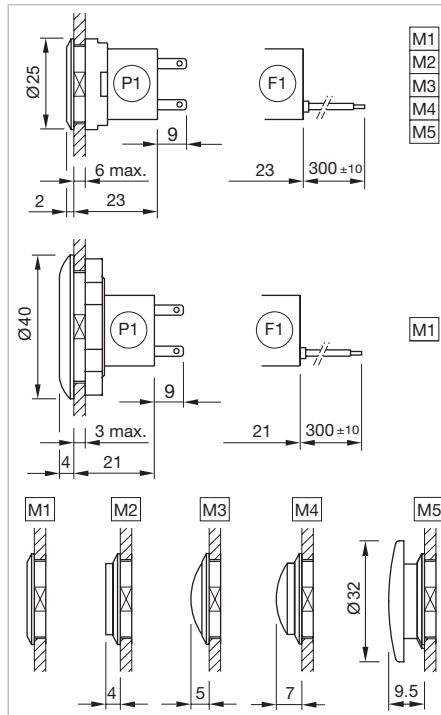


84 Flush design

Pushbutton standard

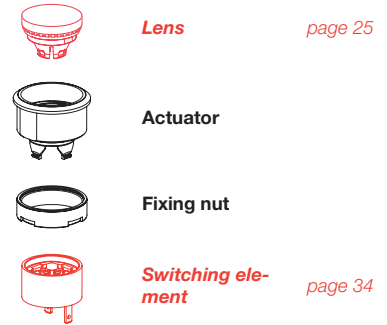


Product can differ from the current configuration.



Dimensions [mm]
 F1 = Flat ribbon cable,
 P1 = Plug-in terminal 2.8 x 0.8 mm,
 M1 = Lens level with bezel,
 M2 = Lens raised above bezel,
 M3 = Lens konvexe level with bezel,
 M4 = Lens konvexe raised above bezel,
 M5 = Mushroom-head cap

Equipment consisting of (schematic overview)

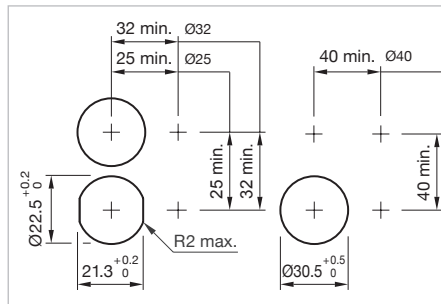


Each Part Number listed below includes all the black components shown in the 3D-drawing.

To obtain a complete unit, please select the red components from the pages shown.


Additional Information

- Non-illuminated lens and bezel
- The colour of anodized aluminium parts can vary due to technical production reasons



Mounting cut-outs [mm]

Front protection	Front ring	Switching action	Part No.	Wiring diagram	Weight
Pushbutton actuator standard, Front dimension Ø 40 mm					
IP 67	Aluminium natural anodized	B	84-1221.7	1	0.022 kg

Front protection	Front ring	Switching action	Part No.	Wiring diagram	Weight
 <p>Pushbutton actuator standard, Front dimension Ø 25 mm</p>					
IP 40	Plastic black	B	84-2101.0	1	0.004 kg
IP 67	Plastic black	B	84-1101.0	1	0.003 kg
	Aluminium black anodized	B	84-1201.0	1	0.008 kg
	Aluminium red anodized	B	84-1201.2	1	0.008 kg
	Aluminium gold anodized	B	84-1201.4	1	0.008 kg
	Aluminium olive-green anodized	B	84-1201.5	1	0.008 kg
	Aluminium blue anodized	B	84-1201.6	1	0.008 kg
	Aluminium natural anodized	B	84-1201.7	1	0.008 kg

Switching action: B = Momentary

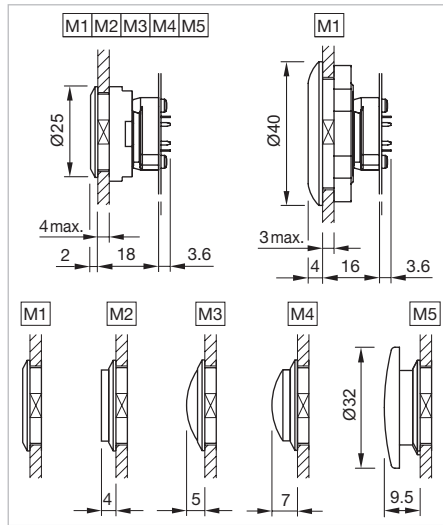


84 Flush design

Pushbutton PCB standard



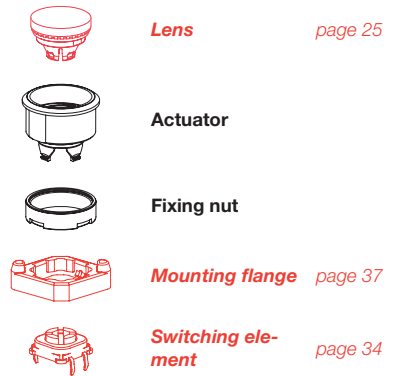
Product can differ from the current configuration.



Dimensions [mm]

F1 = Flat ribbon cable,
 P1 = Plug-in terminal 2.8 x 0.8 mm,
 M1 = Lens level with bezel,
 M2 = Lens raised above bezel,
 M3 = Lens konvexe level with bezel,
 M4 = Lens konvexe raised above bezel,
 M5 = Mushroom-head cap

Equipment consisting of (schematic overview)

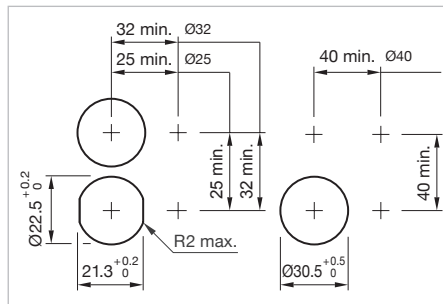


Each Part Number listed below includes all the black components shown in the 3D-drawing.


To obtain a complete unit, please select the red components from the pages shown.


Additional Information

- Non-illuminated lens and bezel
- The colour of anodized aluminium parts can vary due to technical production reasons



Mounting cut-outs [mm]

Front protection	Front ring	Switching action	Part No.	Wiring diagram	Weight
					
Pushbutton actuator PCB standard, Front dimension Ø 40 mm					
IP 67	Aluminium natural anodized	B	84-1221.7	1	0.022 kg

Front protection	Front ring	Switching action	Part No.	Wiring diagram	Weight
 <p>Pushbutton actuator PCB standard, Front dimension Ø 25 mm</p>					
IP 40	Plastic black	B	84-2101.0	1	0.004 kg
IP 67	Plastic black	B	84-1101.0	1	0.003 kg
	Aluminium black anodized	B	84-1201.0	1	0.008 kg
	Aluminium red anodized	B	84-1201.2	1	0.008 kg
	Aluminium gold anodized	B	84-1201.4	1	0.008 kg
	Aluminium olive-green anodized	B	84-1201.5	1	0.008 kg
	Aluminium blue anodized	B	84-1201.6	1	0.008 kg
	Aluminium natural anodized	B	84-1201.7	1	0.008 kg

Switching action: B = Momentary

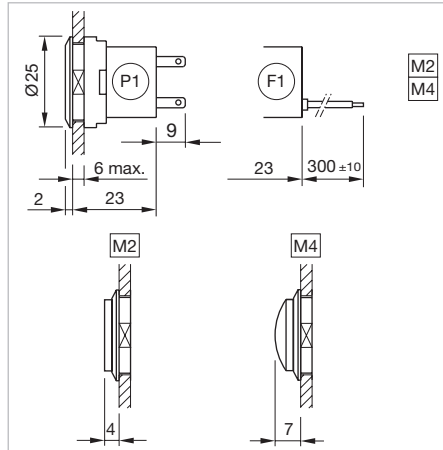


84 Flush design

Indicator with halo illumination standard, IP 67

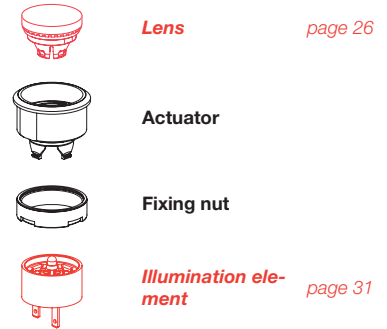


Product can differ from the current configuration.



Dimensions [mm]
 F1 = Flat ribbon cable,
 P1 = Plug-in terminal 2.8 x 0.8 mm,
 M2 = Lens raised above bezel,
 M4 = Lens convex raised above bezel

Equipment consisting of (schematic overview)

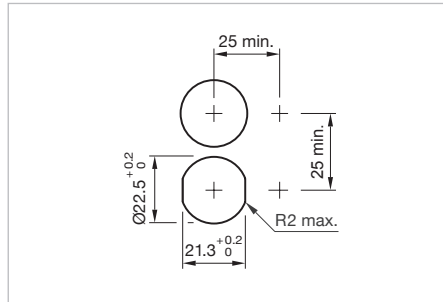


Each Part Number listed below includes all the black components shown in the 3D-drawing.


To obtain a complete unit, please select the red components from the pages shown.

Additional Information

- Front bezel illuminated
- Accessories for halo illumination: Essential lenses Part No. 84-7202.x00A and 84-7205.x00A









Mounting cut-outs [mm]

Front ring	Part No.	Weight
 <p>Indicator actuator with halo illumination standard, Front dimension Ø 25 mm</p> <p>Plastic colourless translucent</p>	84-0090.7	0.006 kg

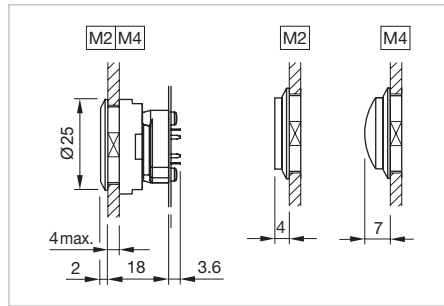
Indicator with halo illumination PCB standard, IP 67

Equipment consisting of (schematic overview)

	Lens	page 26
	Actuator	
	Fixing nut	
	Mounting flange	page 37
	LED	page 39
	Illumination element	page 36

Each Part Number listed below includes all the black components shown in the 3D-drawing.

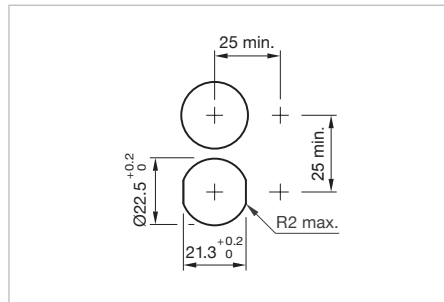
To obtain a complete unit, please select the red components from the pages shown.



Dimensions [mm]
M2 = Lens raised above bezel,
M4 = Lens convex raised above bezel




Product can differ from the current configuration.



Mounting cut-outs [mm]

Additional Information

- Front bezel illuminated
- Accessories for halo illumination: Essential lenses Part No. 84-7202.x00A and 84-7205.x00A

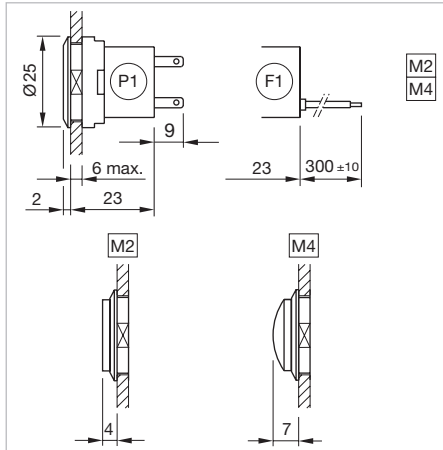
Front ring	Part No.	Weight
 <p>Indicator actuator with halo illumination PCB standard, Front dimension Ø 25 mm</p> <p>Plastic colourless translucent</p>	84-0090.7	0.006 kg

84 Flush design

Pushbutton actuator with halo illumination standard, IP 67







Product can differ from the current configuration.



Dimensions [mm]
 F1 = Flat ribbon cable,
 P1 = Plug-in terminal 2.8 x 0.8 mm,
 M2 = Lens raised above bezel,
 M4 = Lens convexe raised above bezel

Equipment consisting of (schematic overview)

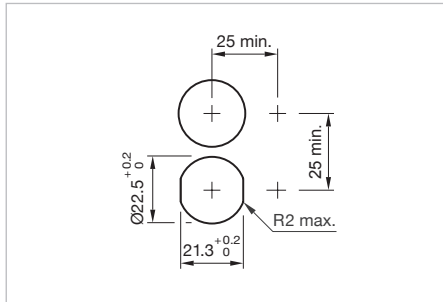
-  **Lens** page 26
-  **Actuator**
-  **Fixing nut**
-  **Switching element** page 33

Each Part Number listed below includes all the black components shown in the 3D-drawing.


To obtain a complete unit, please select the red components from the pages shown.

Additional Information

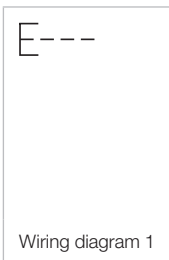
- Front bezel illuminated
- Accessories for halo illumination: Essential lenses Part No. 84-7202.x00A and 84-7205.x00A



Mounting cut-outs [mm]







Front ring	Switching action	Part No.	Wiring diagram	Weight
				
Pushbutton actuator with halo illumination standard, Front dimension Ø 25 mm				
Plastic colourless translucent	B	84-1091.7	1	0.006 kg

Switching action: B = Momentary



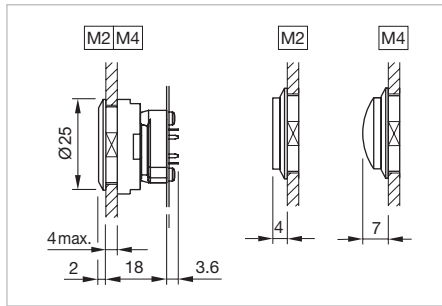
Pushbutton with halo illumination PCB standard, IP 67

Equipment consisting of (schematic overview)

-  **Lens** page 26
-  **Actuator**
-  **Fixing nut**
-  **Mounting flange** page 37
-  **LED** page 39
-  **Switching element** page 34

Each Part Number listed below includes all the black components shown in the 3D-drawing.

To obtain a complete unit, please select the red components from the pages shown.



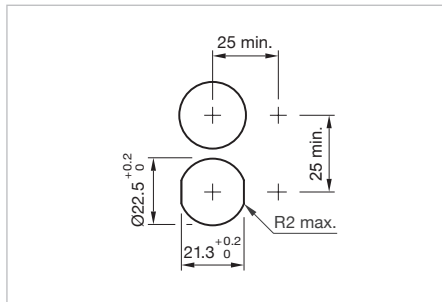
Dimensions [mm]
 M2 = Lens raised above bezel,
 M4 = Lens convex raised above bezel




Product can differ from the current configuration.

Additional Information

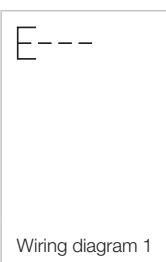
- Front bezel illuminated
- Accessories for halo illumination: Essential lenses Part No. 84-7202.x00A and 84-7205.x00A



Mounting cut-outs [mm]

Front ring	Switching action	Part No.	Wiring diagram	Weight
				
Pushbutton actuator with halo illumination PCB standard, Front dimension Ø 25 mm				
Plastic colourless translucent	B	84-1091.7	1	0.006 kg

Switching action: B = Momentary

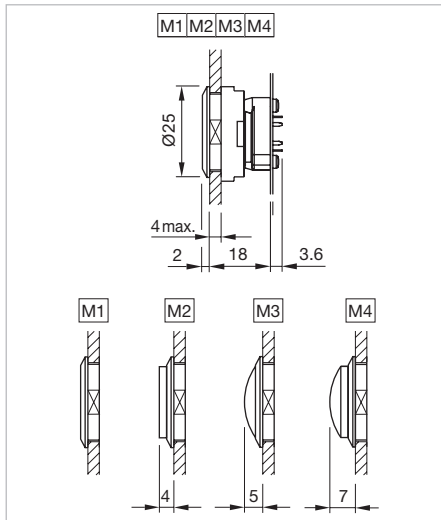


84 Flush design

Indicator for ring illumination (multicolor) PCB or Halo Compact, IP 67

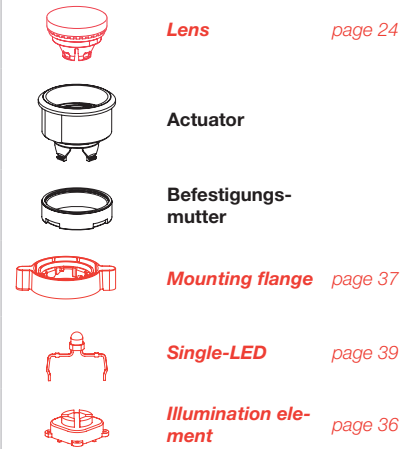


Product can differ from the current configuration.



Dimensions [mm]
 M1 = Lens level with bezel,
 M2 = Lens raised above bezel,
 M3 = Lens konvexe level with bezel,
 M4 = Lens konvexe raised above bezel

Equipment consisting of (schematic overview)

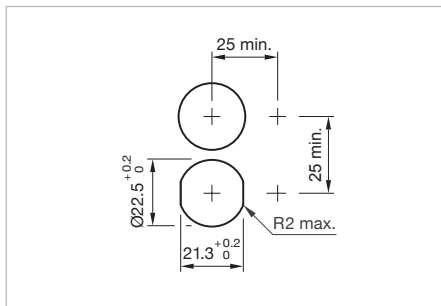


Each Part Number listed below includes all the black components shown in the 3D-drawing.


To obtain a complete unit, please select the red components from the pages shown.

Additional Information

- The LEDs are not part of delivery.
 Recommendation: Osram Hyper Mini TOPLED





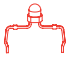



Mounting cut-outs [mm]

Front ring	Part No.	Weight
 <p>Indicator actuator for ring illumination (multicolor) PCB or Halo Compact, Front dimension Ø 25 mm</p> <p>Plastic colourless transparent</p>	84-0080.7	0.006 kg

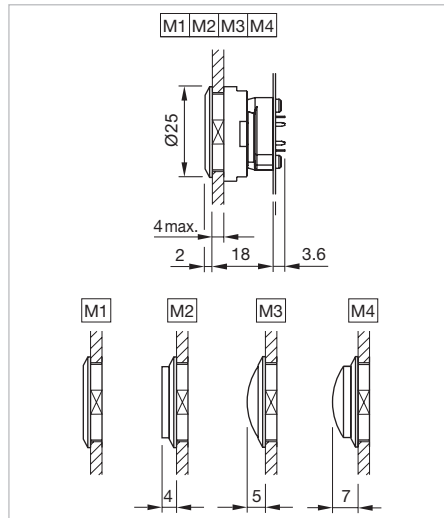
Pushbutton for ring illumination (multicolor) PCB or Halo Compact, IP 67

Equipment consisting of (schematic overview)

-  **Lens** page 24
-  **Actuator**
-  **Fixing nut**
-  **Mounting flange** page 37
-  **LED** page 39
-  **Switching element** page 34

Each Part Number listed below includes all the black components shown in the 3D-drawing.

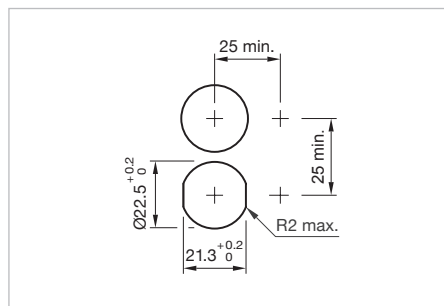
To obtain a complete unit, please select the red components from the pages shown.



Dimensions [mm]
 M1 = Lens level with bezel,
 M2 = Lens raised above bezel,
 M3 = Lens konvexe level with bezel,
 M4 = Lens konvexe raised above bezel




Product can differ from the current configuration.



Mounting cut-outs [mm]

Additional Information

- The LEDs are not part of delivery.
 Recommendation: Osram Hyper Mini TOPLED

Front ring	Switching action	Part No.	Wiring diagram	Weight
				
Pushbutton actuator for ring illumination (multicolor) PCB or Halo Compact, Front dimension Ø 25 mm				
Plastic colourless transparent	B	84-1081.7	1	0.006 kg

Switching action: B = Momentary

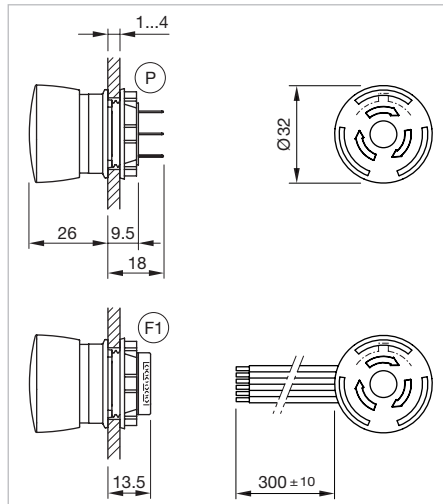


84 Raised design

Emergency-stop switch complete, foolproof EN IEC 60947-5-5, IP 65



Product can differ from the current configuration.



Dimensions [mm]
 F1 = Flat ribbon cable,
 P = Plug-in terminal 2.8 x 0.5 mm

Equipment consisting of (schematic overview)



Actuator

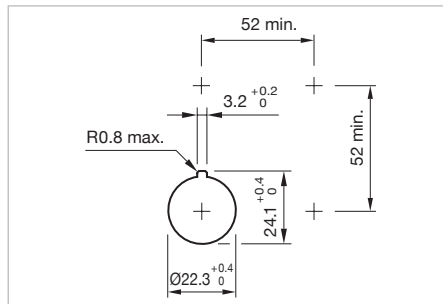


Fixing nut


Each Part Number listed below includes all the black components shown in the 3D-drawing.


Additional Information

- Lens plastic red
- Switching action maintain
- Twist to unlock clockwise
- Application as per DIN EN ISO 13850 and EN 60204-1
- Standard version: Flat ribbon-cable length 300 mm or plug-in terminal 2.8 x 0.5 mm
- Other options on request: Customisation of flat ribbon-cable and connectors
- Luminosity and wave length scattering caused by LED manufacturing processes may cause slight variations in the illumination

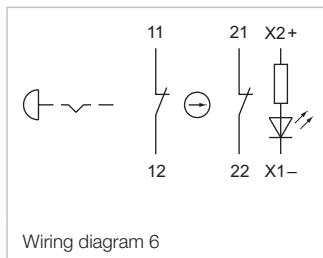
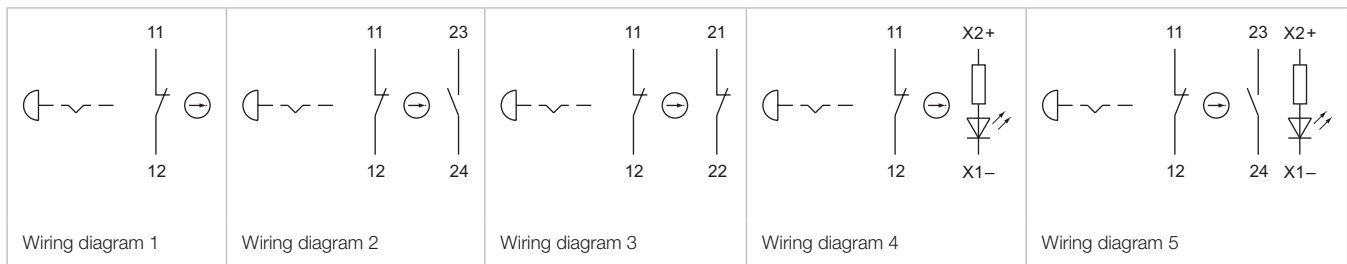


Mounting cut-outs [mm]

Product attribute	LED colour	Contacts	Terminal	Part No.	Component layout	Wiring diagram	Weight
	Position indication ring green	1 NC	Flat ribbon cable	84-5120.0040	1	1	0.036 kg
		1 NC + 1 NO	Flat ribbon cable	84-5130.0040	1	2	0.036 kg
		2 NC	Flat ribbon cable	84-5140.0040	1	3	0.036 kg
	Single-LED red	1 NC	Flat ribbon cable	84-5121.2B40	1	4	0.036 kg
		1 NC + 1 NO	Flat ribbon cable	84-5131.2B40	1	5	0.036 kg
		2 NC	Flat ribbon cable	84-5141.2B40	1	6	0.036 kg
Position indication ring black		1 NC	Flat ribbon cable	84-5020.0040	1	1	0.036 kg
		1 NC + 1 NO	Flat ribbon cable	84-5030.0040	1	2	0.036 kg
		2 NC	Flat ribbon cable	84-5040.0040	1	3	0.036 kg
	Single-LED red	1 NC	Flat ribbon cable	84-5021.2B40	1	4	0.036 kg
		1 NC + 1 NO	Flat ribbon cable	84-5031.2B40	1	5	0.036 kg
		2 NC	Flat ribbon cable	84-5041.2B40	1	6	0.036 kg

Product attribute	LED colour	Contacts	Terminal	Part No.	Component layout	Wiring diagram	Weight
 <p>Emergency-stop switch complete, foolproof EN IEC 60947-5-5, Front dimension Ø 32 mm</p>							
Position indication ring green		1 NC	Plug 2.8 x 0.5 mm	84-5120.0020	2	1	0.028 kg
		1 NC + 1 NO	Plug 2.8 x 0.5 mm	84-5130.0020	2	2	0.028 kg
		2 NC	Plug 2.8 x 0.5 mm	84-5140.0020	2	3	0.028 kg
	Single-LED red	1 NC	Plug 2.8 x 0.5 mm	84-5121.2B20	2	3	0.028 kg
		1 NC + 1 NO	Plug 2.8 x 0.5 mm	84-5131.2B20	2	5	0.028 kg
		2 NC	Plug 2.8 x 0.5 mm	84-5141.2B20	2	6	0.028 kg
Position indication ring black		1 NC	Plug 2.8 x 0.5 mm	84-5020.0020	2	1	0.028 kg
		1 NC + 1 NO	Plug 2.8 x 0.5 mm	84-5030.0020	2	2	0.028 kg
		2 NC	Plug 2.8 x 0.5 mm	84-5040.0020	2	3	0.028 kg
	Single-LED red	1 NC	Plug 2.8 x 0.5 mm	84-5021.2B20	2	4	0.028 kg
		1 NC + 1 NO	Plug 2.8 x 0.5 mm	84-5031.2B20	2	5	0.028 kg
		2 NC	Plug 2.8 x 0.5 mm	84-5041.2B20	2	6	0.028 kg

Contacts: NC = Normally closed, NO = Normally open
 The component layouts you will find from page 51

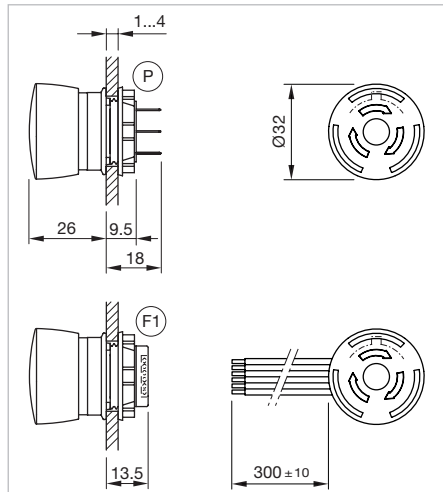


84 Raised design

Stop switch complete grey, IP 65



Product can differ from the current configuration.



Dimensions [mm]
 F1 = Flat ribbon cable,
 P = Plug-in terminal 2.8 x 0.5 mm

Equipment consisting of (schematic overview)



Actuator

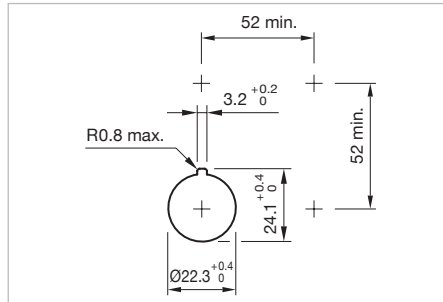


Fixing nut


Each Part Number listed below includes all the black components shown in the 3D-drawing.


Additional Information

- Lens plastic grey
- Switching action maintain
- Position indication ring black
- Twist to unlock clockwise
- Standard version: Flat ribbon-cable length 300 mm or plug-in terminal 2.8 x 0.5 mm
- Other options on request: Customisation of flat ribbon-cable and connectors
- Luminosity and wave length scattering caused by LED manufacturing processes may cause slight variations in the illumination

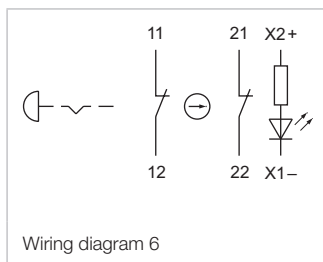
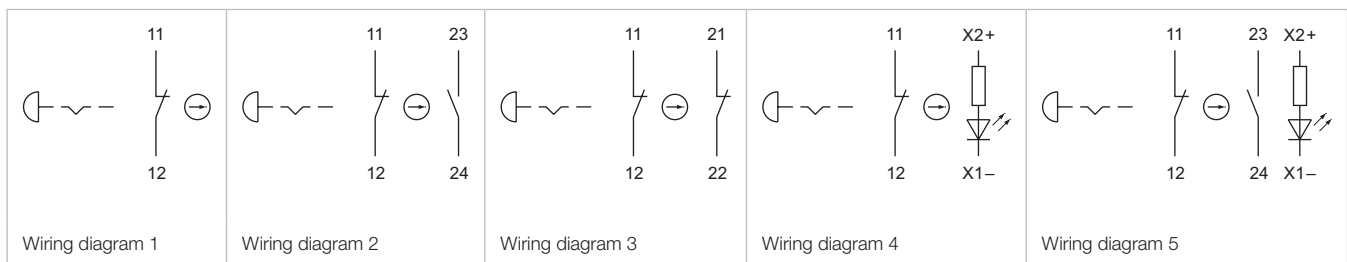


Mounting cut-outs [mm]

LED colour	Contacts	Terminal	Part No.	Component layout	Wiring diagram	Weight	
 <p>Stop switch complete grey, Front dimension Ø 32 mm</p>	1 NC	Flat ribbon cable	84-6820.0040	1	1	0.036 kg	
	1 NC + 1 NO	Flat ribbon cable	84-6830.0040	1	2	0.036 kg	
	2 NC	Flat ribbon cable	84-6840.0040	1	3	0.036 kg	
	Single-LED red	1 NC	Flat ribbon cable	84-6821.2B40	1	4	0.036 kg
		1 NC + 1 NO	Flat ribbon cable	84-6831.2B40	1	5	0.036 kg
		2 NC	Flat ribbon cable	84-6841.2B40	1	6	0.036 kg

LED colour	Contacts	Terminal	Part No.	Component layout	Wiring diagram	Weight	
 <p>Stop switch complete grey, Front dimension Ø 32 mm</p>	1 NC	Plug 2.8 x 0.5 mm	84-6820.0020	2	1	0.028 kg	
	1 NC + 1 NO	Plug 2.8 x 0.5 mm	84-6830.0020	2	2	0.028 kg	
	2 NC	Plug 2.8 x 0.5 mm	84-6840.0020	2	3	0.028 kg	
	Single-LED red	1 NC	Plug 2.8 x 0.5 mm	84-6821.2B20	2	4	0.028 kg
		1 NC + 1 NO	Plug 2.8 x 0.5 mm	84-6831.2B20	2	5	0.028 kg
		2 NC	Plug 2.8 x 0.5 mm	84-6841.2B20	2	6	0.028 kg

Contacts: NC = Normally closed, NO = Normally open
 The component layouts you will find from page 51




Front

Lens plastic

Additional Information


- Lens profile flat

Product attribute	Dimension	Lens	Mounting type	Part No.	Weight
 Lens plastic					
illuminative	Ø 19.7 mm	red transparent	level with bezel	84-7111.200	0.001 kg
		orange transparent	level with bezel	84-7111.300	0.001 kg
		yellow transparent	level with bezel	84-7111.400	0.001 kg
		green transparent	level with bezel	84-7111.500	0.001 kg
		blue transparent	level with bezel	84-7111.600	0.001 kg
		colourless transparent	level with bezel	84-7111.700	0.001 kg
non-illuminative	Ø 19.7 mm	black opaque	level with bezel	84-7121.000	0.001 kg
		grey opaque	level with bezel	84-7121.800	0.001 kg
illuminative	Ø 19.7 mm	red transparent	raised above bezel	84-7115.200	0.001 kg
		orange transparent	raised above bezel	84-7115.300	0.001 kg
		yellow transparent	raised above bezel	84-7115.400	0.001 kg
		green transparent	raised above bezel	84-7115.500	0.001 kg
		blue transparent	raised above bezel	84-7115.600	0.001 kg
		colourless transparent	raised above bezel	84-7115.700	0.001 kg
non-illuminative	Ø 19.7 mm	black opaque	raised above bezel	84-7125.000	0.001 kg
		grey opaque	raised above bezel	84-7125.800	0.001 kg

Marking plate

Additional Information

- Can be hot stamped

Marking plate	Part No.	Weight
 Legend plate for lens plastic		
Plastic colourless transparent	61-9707.7	0.001 kg

Lens plastic with symbol

Additional Information


- Lens profile flat
- Illuminative
- The silvery coat is being applied on the lens (screen print) with an additional protective lacquer. Further information see «Technical data»

Dimension	Lens	Mounting type	Symbol	Part No.	Weight
 <p>Lens plastic with symbol</p>					
Ø 19.7 mm	red transparent	level with bezel	Ring	84-7111.201	0.002 kg
	orange transparent	level with bezel	Ring	84-7111.301	0.002 kg
	yellow transparent	level with bezel	Ring	84-7111.401	0.002 kg
	green transparent	level with bezel	Ring	84-7111.501	0.002 kg
	blue transparent	level with bezel	Ring	84-7111.601	0.002 kg
	colourless transparent	level with bezel	Ring	84-7111.701	0.002 kg
 <p>Lens plastic with symbol</p>					
Ø 19.7 mm	red transparent	level with bezel	ON/OFF	84-7111.202	0.002 kg
	green transparent	level with bezel	ON/OFF	84-7111.502	0.002 kg
	blue transparent	level with bezel	ON/OFF	84-7111.602	0.002 kg
	colourless transparent	level with bezel	ON/OFF	84-7111.702	0.002 kg
 <p>Lens plastic with symbol</p>					
Ø 19.7 mm	red transparent	level with bezel	Stand by	84-7111.203	0.002 kg
	green transparent	level with bezel	Stand by	84-7111.503	0.002 kg
	blue transparent	level with bezel	Stand by	84-7111.603	0.002 kg
	colourless transparent	level with bezel	Stand by	84-7111.703	0.002 kg


Lens metal

Additional Information

- The colour of anodized aluminium parts can vary due to technical production reasons

Product attribute	Dimension	Lens	Mounting type	Part No.	Weight
 <p>Lens metal</p>					
flat	Ø 19.7 mm	Aluminium black anodized	level with bezel	84-7201.000	0.003 kg
	Ø 19.7 mm	Aluminium red anodized	level with bezel	84-7201.200	0.003 kg



84 Accessories

Product attribute	Dimension	Lens	Mounting type	Part No.	Weight
flat	Ø 19.7 mm	Aluminium gold anodized	level with bezel	84-7201.400	0.003 kg
		Aluminium olive-green anodized	level with bezel	84-7201.500	0.003 kg
		Aluminium blue anodized	level with bezel	84-7201.600	0.003 kg
		Aluminium natural anodized	level with bezel	84-7201.800	0.003 kg
		Aluminium black anodized	raised above bezel	84-7205.000	0.003 kg
		Aluminium red anodized	raised above bezel	84-7205.200	0.003 kg
		Aluminium gold anodized	raised above bezel	84-7205.400	0.003 kg
		Aluminium olive-green anodized	raised above bezel	84-7205.500	0.003 kg
		Aluminium blue anodized	raised above bezel	84-7205.600	0.003 kg
		Aluminium natural anodized	raised above bezel	84-7205.800	0.003 kg
 Lens metal					
convex (domed)	Ø 19.7 mm	Aluminium black anodized	level with bezel	84-7202.000	0.003 kg
		Aluminium red anodized	level with bezel	84-7202.200	0.003 kg
		Aluminium gold anodized	level with bezel	84-7202.400	0.003 kg
		Aluminium olive-green anodized	level with bezel	84-7202.500	0.003 kg
		Aluminium blue anodized	level with bezel	84-7202.600	0.003 kg
		Aluminium natural anodized	level with bezel	84-7202.800	0.003 kg

Lens for halo illumination

Additional Information





- Lens profile flat or convex (domed)
- The colour of anodized aluminium parts can vary due to technical production reasons

Product attribute	Dimension	Lens	Mounting type	Part No.	Weight
 Lens metal for halo illumination					
flat	Ø 19.7 mm	Aluminium black anodized	raised above bezel	84-7205.000A	0.003 kg
		Aluminium red anodized	raised above bezel	84-7205.200A	0.003 kg
		Aluminium gold anodized	raised above bezel	84-7205.400A	0.003 kg
		Aluminium olive-green anodized	raised above bezel	84-7205.500A	0.003 kg
		Aluminium blue anodized	raised above bezel	84-7205.600A	0.003 kg
		Aluminium natural anodized	raised above bezel	84-7205.800A	0.003 kg
 Lens metal for halo illumination					
convex (domed)	Ø 19.7 mm	Aluminium black anodized	raised above bezel	84-7202.000A	0.004 kg
		Aluminium red anodized	raised above bezel	84-7202.200A	0.004 kg
		Aluminium gold anodized	raised above bezel	84-7202.400A	0.004 kg
		Aluminium olive-green anodized	raised above bezel	84-7202.500B	0.004 kg
		Aluminium blue anodized	raised above bezel	84-7202.600A	0.004 kg
		Aluminium natural anodized	raised above bezel	84-7202.800A	0.004 kg

Lens for stop request pushbutton

Additional Information

- Lens profile flat
- With raised labelling symbol, TSI compliant
- The colour of anodized aluminium parts can vary due to technical production reasons


Dimension	Lens	Mounting type	Symbol	Part No.	Weight
	Lens metal for halo illumination with raised symbol				
Ø 19.7 mm	Aluminium natural anodized	raised above bezel	Door open	84-7205.804A	0.003 kg
	Lens metal for halo illumination with raised symbol				
Ø 19.7 mm	Aluminium natural anodized	raised above bezel	Wheelchair	84-7205.805A	0.003 kg
	Lens metal for halo illumination with raised symbol				
Ø 19.7 mm	Aluminium natural anodized	raised above bezel	Baby carriage	84-7205.806A	0.003 kg
	Lens metal for halo illumination with raised symbol				
Ø 19.7 mm	Aluminium natural anodized	raised above bezel	Bell	84-7205.808A	0.003 kg

84 Accessories


Lens metal with dot

Additional Information

- Lens profile flat
- The colour of anodized aluminium parts can vary due to technical production reasons

Product attribute	Dimension	Lens	Mounting type	Part No.	Weight
					
Lens metal with dot					
illuminative	Ø 19.7 mm	Aluminium black anodized	level with bezel	84-7211.000	0.002 kg
		Aluminium red anodized	level with bezel	84-7211.200	0.002 kg
		Aluminium gold anodized	level with bezel	84-7211.400	0.002 kg
		Aluminium olive-green anodized	level with bezel	84-7211.500	0.002 kg
		Aluminium blue anodized	level with bezel	84-7211.600	0.002 kg
		Aluminium natural anodized	level with bezel	84-7211.800	0.002 kg
		Aluminium black anodized	raised above bezel	84-7215.000	0.002 kg
		Aluminium red anodized	raised above bezel	84-7215.200	0.002 kg
		Aluminium gold anodized	raised above bezel	84-7215.400	0.002 kg
		Aluminium olive-green anodized	raised above bezel	84-7215.500	0.002 kg
		Aluminium blue anodized	raised above bezel	84-7215.600	0.002 kg
		Aluminium natural anodized	raised above bezel	84-7215.800	0.002 kg


Mushroom-head cap

Product attribute	Mushroom-head cap	Part No.	Weight
	Mushroom-head cap, Front dimension Ø 32 mm		
illuminative	Plastic blue	84-7114.600A	0.004 kg
non-illuminative	Plastic black	84-7124.000A	0.004 kg
	Plastic red	84-7124.200A	0.004 kg
	Plastic yellow	84-7124.400A	0.004 kg
	Plastic green	84-7124.500A	0.004 kg

Front protective cap, IP 68

Additional Information


- For flat lense profil only
- When using the front protection cover the external sealing in the actuator has to be removed

Material	Colour	Optics	Part No.	Weight
	Front protective cap			
Silicone	colourless	transparent	84-9103.7	0.001 kg

Legend frame

Additional Information

- For devices with front dimension Ø 25 mm, flush design
- The colour of anodized aluminium parts can vary due to technical production reasons


Dimension	Material	Colour	Mounting type	Part No.	Weight
	Legend frame				
30 x 50 x 0.75 mm	Aluminium	black anodized	adhesive	61-9980.0	0.001 kg

84 Accessories

Legend plate

Additional Information

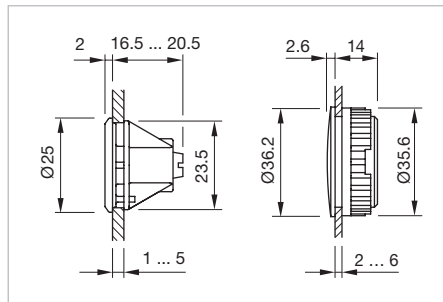
- For legend frame Part No. 61-9980.0
- The colour of anodized aluminium parts can vary due to technical production reasons

Dimension	Material	Colour	Mounting type	Part No.	Weight
 <p>Legend plate for legend frame</p>					
14.5 x 23.5 mm	Aluminium	natural anodized	adhesive	704.968.0	0.001 kg
		black anodized	adhesive	704.968.1	0.001 kg



Blind plug, IP 65

Additional Information

- The dimensions of the mounting cut-outs are shown in the product details
- Please note that bigger minimum distances are necessary



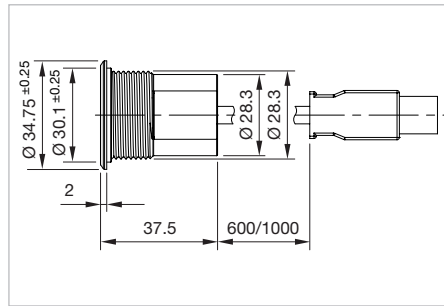
Dimensions [mm]

Product attribute	Dimension	Mounting cut-out	Material	Colour	Part No.	Weight
 <p>Blind plug</p>						
with this print version of the panel thickness is reduced to 2.5 mm max.	Ø 25 mm	Ø 22.5 mm	Plastic	black	61-9453.0	0.006 kg
 <p>Blind plug</p>						
	Ø 36 mm	Ø 30.5 mm	Plastic	black	704.964.8	0.007 kg


USB socket, IP20

Additional Information

- The dimensions of the mounting cut-outs are shown in the product details



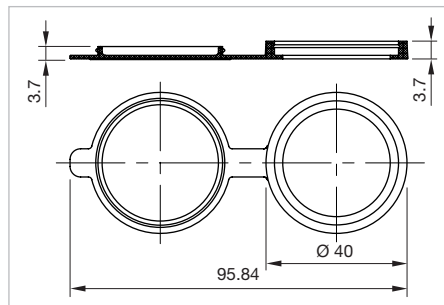
Dimensions [mm]

Product attribute	Material	Colour	Part No.	Weight
 <p>USB socket</p>				
USB 3.0 socket type A/A cable 60 cm	Plastic	black	84-3103.0000.1	0.066 kg
USB 3.0 socket type A/A cable 100 cm	Plastic	black	84-3103.0000.2	0.085 kg


Protection cover, IP 65

Additional Information

- When mounting the protective cover 84-916 make sure that the USB adapter is mounted in center position.




Dimensions [mm]

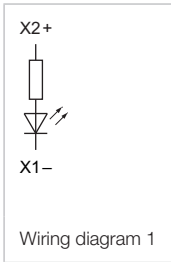
Product attribute	Dimension	Material	Colour	Part No.	Weight
 <p>Protection cover</p>					
for USB 3.0 sockets	Ø 36 mm	Plastic	black	84-916	0.007 kg

Illumination element, IP 40

Additional Information

- LED and built-in resistor included
- Standard version: Cable length 300 mm with insulated ferrule, plug-in terminal 2.8 x 0.8 mm
- Other options on request: Customisation of cable and connectors, rear side fully sealed (IP 67)
- Protection degree (rear side): IP 40, upgrade to IP 67 with plug Part No. 84-900 possible. With applications where strong vibrations occur, the plugs may become loose
- Luminosity and wave length variations caused by LED manufacturing processes may cause slight differences regarding the illumination

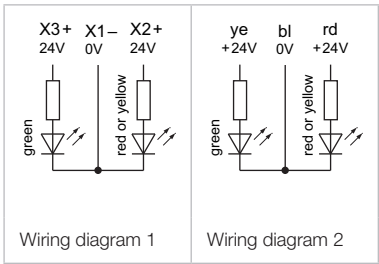
Protection degree	LED colour	Operating voltage	Operation current	Terminal	Part No.	Wiring diagram	Weight
 <p>Illumination element</p>							
IP 40	Single-LED red	12 VDC ±10 %	10 mA	Plug 2.8 x 0.8 mm	84-8001.2320	1	0.005 kg
	Single-LED yellow	12 VDC ±10 %	10 mA	Plug 2.8 x 0.8 mm	84-8001.4320	1	0.005 kg
	Single-LED green	12 VDC ±10 %	10 mA	Plug 2.8 x 0.8 mm	84-8001.5320	1	0.005 kg
	Single-LED blue	12 VDC ±10 %	10 mA	Plug 2.8 x 0.8 mm	84-8001.6320	1	0.005 kg
	Single-LED white	12 VDC ±10 %	10 mA	Plug 2.8 x 0.8 mm	84-8001.9320	1	0.005 kg
	Single-LED red	24 VDC ±10 %	10 mA	Plug 2.8 x 0.8 mm	84-8001.2620	1	0.005 kg
	Single-LED orange	24 VDC ±10 %	10 mA	Plug 2.8 x 0.8 mm	84-8001.3620	1	0.005 kg
	Single-LED yellow	24 VDC ±10 %	10 mA	Plug 2.8 x 0.8 mm	84-8001.4620	1	0.005 kg
	Single-LED green	24 VDC ±10 %	10 mA	Plug 2.8 x 0.8 mm	84-8001.5620	1	0.005 kg
	Single-LED blue	24 VDC ±10 %	10 mA	Plug 2.8 x 0.8 mm	84-8001.6620	1	0.005 kg
	Single-LED white	24 VDC ±10 %	10 mA	Plug 2.8 x 0.8 mm	84-8001.9620	1	0.005 kg
 <p>Illumination element</p>							
IP 40	Single-LED red	12 VDC ±10 %	10 mA	Flat ribbon cable	84-8001.2340	1	0.010 kg
	Single-LED yellow	12 VDC ±10 %	10 mA	Flat ribbon cable	84-8001.4340	1	0.010 kg
	Single-LED green	12 VDC ±10 %	10 mA	Flat ribbon cable	84-8001.5340	1	0.010 kg
	Single-LED white	12 VDC ±10 %	10 mA	Flat ribbon cable	84-8001.9340	1	0.010 kg
	Single-LED red	24 VDC ±10 %	10 mA	Flat ribbon cable	84-8001.2640	1	0.010 kg
	Single-LED orange	24 VDC ±10 %	10 mA	Flat ribbon cable	84-8001.3640	1	0.010 kg
	Single-LED yellow	24 VDC ±10 %	10 mA	Flat ribbon cable	84-8001.4640	1	0.010 kg
	Single-LED green	24 VDC ±10 %	10 mA	Flat ribbon cable	84-8001.5640	1	0.010 kg
	Single-LED blue	24 VDC ±10 %	10 mA	Flat ribbon cable	84-8001.6640	1	0.010 kg
	Single-LED white	24 VDC ±10 %	10 mA	Flat ribbon cable	84-8001.9640	1	0.010 kg



Illumination element bi-colour

- Additional Information**
- LED and built-in resistor included
 - Standard version: Cable length 300 mm with insulated ferrule, plug-in terminal 2.8 x 0.8 mm
 - Other options on request: Customisation of cable and connectors, rear side fully sealed (IP 67).
 - Best illumination level will be reached with aluminium lens with spot, Part No. 84-7215.x00 and 84-7211.x00
 - Protection degree (rear side): IP 40, upgrade to IP 67 with plug Part No. 84-900 possible. With applications where strong vibrations occur, the plugs may become loose
 - Cable connection IP 67, rear side fully sealed. The illumination element of the cable version cannot be disconnected from the actuator any longer
 - Luminosity and wave length variations caused by LED manufacturing processes may cause slight differences regarding the illumination



Protection degree	LED colour	Operating voltage	Operation current	Terminal	Part No.	Wiring diagram	Weight
<p>Illumination element with bi-colour illumination</p>							
IP 40	Bi-colour LED yellow/green	24 VDC ±10 %	20 mA	Plug 2.8 x 0.8 mm	84-8005.7620	1	0.005 kg
	Bi-colour LED red/green	24 VDC ±10 %	20 mA	Plug 2.8 x 0.8 mm	84-8005.8620	1	0.005 kg
<p>Illumination element with bi-colour illumination</p>							
IP 67	Bi-colour LED yellow/green	24 VDC ±10 %	20 mA	Flat ribbon cable	84-8005.7640	2	0.011 kg
	Bi-colour LED red/green	24 VDC ±10 %	20 mA	Flat ribbon cable	84-8005.8640	2	0.011 kg



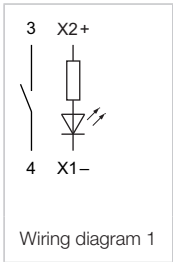
Switching element with illumination

Additional Information

- LED and built-in resistor included
- Standard version: Cable length 300 mm with insulated ferrule, plug-in terminal 2.8 x 0.8 mm
- Other options on request: Customisation of cable and connectors, rear side fully sealed (IP 67)
- Protection degree (rear side): IP 40, upgrade to IP 67 with plug Part No. 84-900 possible. With applications where strong vibrations occur, the plugs may become loose
- Luminosity and wave length variations caused by LED manufacturing processes may cause slight differences regarding the illumination


Protection degree	LED colour	Operating voltage	Operation current	Contacts	Terminal	Part No.	Wiring diagram	Weight
 <h3>Switching element with illumination</h3>								
IP 40	Single-LED red	12 VDC ±10 %	10 mA	1 NO	Plug 2.8 x 0.8 mm	84-8511.2320	1	0.006 kg
	Single-LED orange	12 VDC ±10 %	10 mA	1 NO	Plug 2.8 x 0.8 mm	84-8511.3320	1	0.006 kg
	Single-LED yellow	12 VDC ±10 %	10 mA	1 NO	Plug 2.8 x 0.8 mm	84-8511.4320	1	0.006 kg
	Single-LED green	12 VDC ±10 %	10 mA	1 NO	Plug 2.8 x 0.8 mm	84-8511.5320	1	0.006 kg
	Single-LED blue	12 VDC ±10 %	10 mA	1 NO	Plug 2.8 x 0.8 mm	84-8511.6320	1	0.006 kg
	Single-LED white	12 VDC ±10 %	10 mA	1 NO	Plug 2.8 x 0.8 mm	84-8511.9320	1	0.006 kg
	Single-LED red	24 VDC ±10 %	10 mA	1 NO	Plug 2.8 x 0.8 mm	84-8511.2620	1	0.006 kg
	Single-LED orange	24 VDC ±10 %	10 mA	1 NO	Plug 2.8 x 0.8 mm	84-8511.3620	1	0.006 kg
	Single-LED yellow	24 VDC ±10 %	10 mA	1 NO	Plug 2.8 x 0.8 mm	84-8511.4620	1	0.006 kg
	Single-LED green	24 VDC ±10 %	10 mA	1 NO	Plug 2.8 x 0.8 mm	84-8511.5620	1	0.006 kg
	Single-LED blue	24 VDC ±10 %	10 mA	1 NO	Plug 2.8 x 0.8 mm	84-8511.6620	1	0.006 kg
	Single-LED white	24 VDC ±10 %	10 mA	1 NO	Plug 2.8 x 0.8 mm	84-8511.9620	1	0.006 kg
 <h3>Switching element with illumination</h3>								
IP 40	Single-LED red	12 VDC ±10 %	10 mA	1 NO	Flat ribbon cable	84-8511.2340	1	0.015 kg
	Single-LED orange	12 VDC ±10 %	10 mA	1 NO	Flat ribbon cable	84-8511.3340	1	0.015 kg
	Single-LED yellow	12 VDC ±10 %	10 mA	1 NO	Flat ribbon cable	84-8511.4340	1	0.015 kg
	Single-LED green	12 VDC ±10 %	10 mA	1 NO	Flat ribbon cable	84-8511.5340	1	0.015 kg
	Single-LED blue	12 VDC ±10 %	10 mA	1 NO	Flat ribbon cable	84-8511.6340	1	0.015 kg
	Single-LED white	12 VDC ±10 %	10 mA	1 NO	Flat ribbon cable	84-8511.9340	1	0.015 kg
	Single-LED red	24 VDC ±10 %	10 mA	1 NO	Flat ribbon cable	84-8511.2640	1	0.015 kg
	Single-LED orange	24 VDC ±10 %	10 mA	1 NO	Flat ribbon cable	84-8511.3640	1	0.015 kg
	Single-LED yellow	24 VDC ±10 %	10 mA	1 NO	Flat ribbon cable	84-8511.4640	1	0.015 kg
	Single-LED green	24 VDC ±10 %	10 mA	1 NO	Flat ribbon cable	84-8511.5640	1	0.015 kg
	Single-LED blue	24 VDC ±10 %	10 mA	1 NO	Flat ribbon cable	84-8511.6640	1	0.015 kg
	Single-LED white	24 VDC ±10 %	10 mA	1 NO	Flat ribbon cable	84-8511.9640	1	0.015 kg

Contacts: NO = Normally open

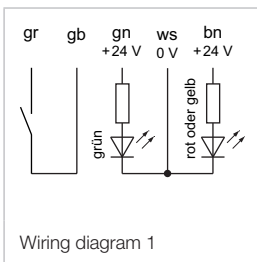


Switching element bi-colour

- Additional Information**
- LED and built-in resistor included
 - Protection degree IP 67, rear side fully sealed. The switching element cannot be disconnected from the actuator any longer
 - Best illumination level will be reached with aluminium lens with spot, Part No. 84-7215.x00 and 84-7211.x00
 - Standard version: Cable length 300 mm with insulated ferrule
 - Other options on request: Customisation of cable and connectors
 - Luminosity and wave length variations caused by LED manufacturing processes may cause slight differences regarding the illumination

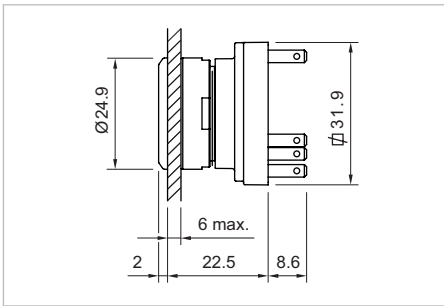
Protection degree	LED colour	Operating voltage	Operation current	Contacts	Terminal	Part No.	Wiring diagram	Weight
 <p>Switching element with bi-colour illumination</p>								
IP 67	Bi-colour LED red/green	24 VDC ±10 %	20 mA	1 NO	Flat ribbon cable	84-8515.8640	1	0.015 kg
	Bi-colour LED yellow/green	24 VDC ±10 %	20 mA	1 NO	Flat ribbon cable	84-8515.7640	1	0.015 kg

Contacts: NO = Normally open




84 Accessories

Switching element Halo Compact



Dimensions [mm]



LED-Farbe	Contacts	Terminal	Part No.	Wiring diagram	Weight
 <p>Switching element Halo Compact</p>					
red	1 S	Solder/Plug-in 2.8 x 0.8 mm	84-8716.2620	6	0.013 kg
yellow	1 S	Solder/Plug-in 2.8 x 0.8 mm	84-8716.4620	6	0.013 kg
green	1 S	Solder/Plug-in 2.8 x 0.8 mm	84-8716.5620	6	0.013 kg
blue	1 S	Solder/Plug-in 2.8 x 0.8 mm	84-8716.6620	6	0.013 kg
white	1 S	Solder/Plug-in 2.8 x 0.8 mm	84-8716.9620	6	0.013 kg
Bi-colour LED red/green	1 S	Solder/Plug-in 2.8 x 0.8 mm	84-8716.8620	6	0.013 kg

Contacts: NO = Normally open
The component layouts you will find from page 51

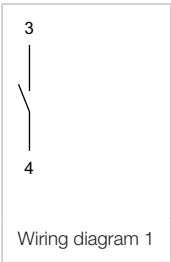
Switching element without illumination

Additional Information

- Standard version: Cable length 300 mm with insulated ferrule, plug-in terminal 2.8 x 0.8 mm
- Other options on request: Customisation of cable and connectors, rear side fully sealed (IP 67)
- Protection degree (rear side): IP 40, upgrade to IP 67 with plug Part No. 84-900 possible. With applications where strong vibrations occur, the plugs may become loose

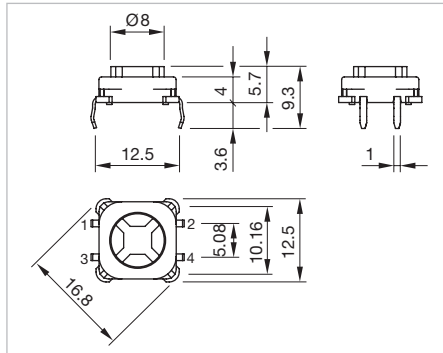
Protection degree	Contacts	Terminal	Part No.	Wiring diagram	Weight
 <p>Switching element without illumination</p>					
IP 40	1 NO	Plug 2.8 x 0.8 mm	84-8510.0020	1	0.005 kg
 <p>Switching element without illumination</p>					
IP 40	1 NO	Flat ribbon cable	84-8510.0040	1	0.010 kg

Contacts: NO = Normally open




Switching element PCB illuminative

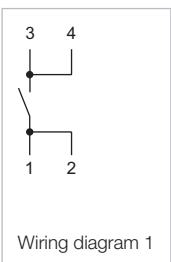
- Additional Information**
- The customer has to decide what series resistor shall be used to the LED
 - LED and mounting flange to be ordered separately



Dimensions [mm]

Contacts	Terminal	Switching action	Part No.	Component layout	Wiring diagram	Weight
 <p>Switching element PCB mounting illuminative</p>						
1 NO	PCB	B	92-851.342	3	1	0.001 kg

Contacts: NO = Normally open
 Switching action: B = Momentary
 The component layouts you will find from page 51

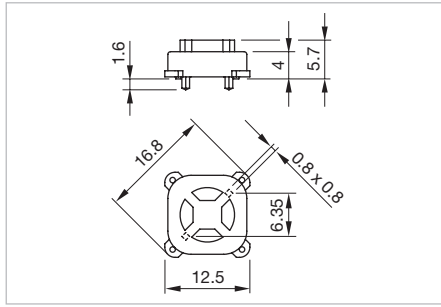


84 Accessories


Illumination element PCB

Additional Information

- The customer has to decide what series resistor shall be used to the LED
- LED and mounting flange to be ordered separately

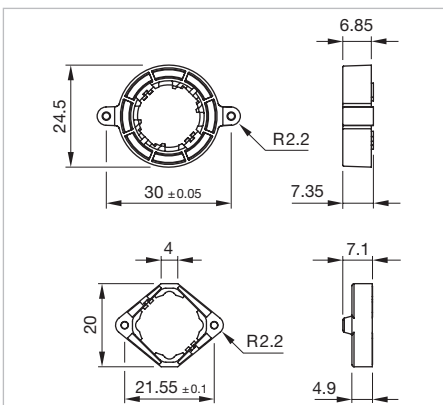


Dimensions [mm]



Terminal	Part No.	Component layout	Weight
 <p>Illumination element PCB mounting</p>			
PCB	92-800.042	4	0.001 kg

The component layouts you will find from page 51


Mounting flange




Dimensions [mm]

Product attribute	Part No.	Weight
 <p>Mounting flange</p>		
Halo illumination (illuminated multi-color bezel)	84-960.0	0.001 kg
 <p>Mounting flange</p>		
Standard version	92-960.0	0.001 kg

Flat receptacle

Product attribute	Part No.	Weight
 <p>Flat receptacle</p>		
2.8 x 0.8 mm plug-in terminal	84-9420	0.001 kg


Insulation sleeve

Product attribute	Part No.	Weight
 <p>Insulation sleeve</p>		
for flat receptacle 2.8 mm	31-929	0.001 kg

Plug

Additional Information

- For back protection IP67 of switching elements and illumination elements. Two plugs are necessary per element


Part No.	Weight
 <p>Plug</p>	
84-900	0.001 kg

Illumination

Single-LED, T1 Bi-Pin

Additional Information


- The customer has to decide what series resistor shall be used to the LED
- Luminosity and wave length scattering caused by LED manufacturing processes may cause slight variations in the illumination

LED colour	Forward voltage typ.	Lumi. intensity	Dom. wavelength	Part No.	Weight
 <p>Single-LED</p>					
Single-LED red	2.0 VDC @ 20 mA	160 mcd	625 nm	10-2601.3172S	0.001 kg
Single-LED orange	2.0 VDC @ 20 mA	165 mcd	605 nm	10-2601.3173S	0.001 kg
Single-LED yellow	2.9 VDC @ 20 mA	600 mcd	580 nm	10-2603.3174S	0.001 kg
Single-LED green	3.2 VDC @ 20 mA	650 mcd	525 nm	10-2603.3175S	0.001 kg
Single-LED blue	3.0 VDC @ 20 mA	250 mcd	467 nm	10-2603.3176S	0.001 kg
Single-LED white	3.2 VDC @ 20 mA	500 mcd	x=0.3/y=0.3 nm	10-2603.3178S	0.001 kg

Bi-colour-LED, T1 Bi-Pin

Additional Information

- The customer has to decide what series resistor shall be used to the LED
- Luminosity and wave length scattering caused by LED manufacturing processes may cause slight variations in the illumination





LED colour	Forward voltage typ.	Lumi. intensity	Dom. wavelength	Part No.	Weight
 <p>Bi-colour-LED</p>					
Bi-colour LED red/green	2.0/3.2 VDC @ 20 mA	380/650 mcd	628/525 nm	10-2603.320AL	0.001 kg
Bi-colour LED yellow/green	2.0/3.2 VDC @ 20 mA	480/380 mcd	588/525 nm	10-2603.320CL	0.001 kg

Emergency-stop and Stop pushbutton

Emergency-stop legend

Additional Information

- Front panel thickness 3 mm max.

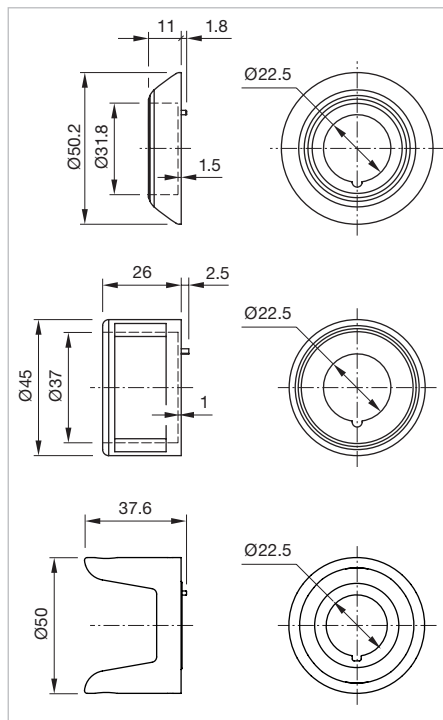
Dimension	Mounting cut-out	Marking	Colour	Part No.	Weight
					
Emergency-stop legend					
Ø 59 x 1 mm	Ø 22.5 mm	NOT AUS	yellow	704.963.5	0.011 kg
		EMERGENCY STOP	yellow	704.963.6	0.011 kg
		ARRET D'URGENCE	yellow	704.963.7	0.011 kg
		Symbol	yellow	704.963.8	0.011 kg
					
Emergency-stop legend					
Ø 59 x 1 mm	Ø 22.5 mm	Symbol	yellow	704.963.9	0.011 kg
					
Emergency-stop legend					
Ø 90 x 1 mm	Ø 22.5 mm	NOT AUS	yellow	704.963.0	0.011 kg
		EMERGENCY STOP	yellow	704.963.1	0.011 kg
		ARRET D'URGENCE	yellow	704.963.2	0.011 kg
		NOT HALT	yellow	704.963.3	0.011 kg
					
Emergency-stop legend					
Ø 90 x 1 mm	Ø 22.5 mm	Symbol	yellow	704.963.4	0.011 kg

84 Accessories




E-stop protective shroud

Additional Information



- Front panel thickness 1 ... 3 mm
- With anti-twist device
- When using a protective shroud the e-stop or stop-switch has to be turned by 180° to be mounted. See dimensional drawing
- The protection shroud Part No. 84-909 is not suitable for a proper use of emergency-stop. It can obstruct a spontaneous operation of the emergency-stop switch
- This shroud Part No. 84-906 is not compliant to EN ISO 13850. There are no restrictions when combined with stop switches.



Dimensions [mm]

Front protection	Dimension	Mounting cut-out	Marking	Material	Colour	Part No.	Weight
	E-stop protective shroud						
IP 65	Ø 50 mm	Ø 22.5 mm		Plastic	yellow	84-902	0.006 kg
			NOT - AUS	Plastic	yellow	84-902A	0.006 kg
IP 65	Ø 50 mm	Ø 22.5 mm	EMERGENCY STOP	Plastic	yellow	84-902B	0.006 kg
			NOT - HALT	Plastic	yellow	84-902D	0.006 kg
	E-stop protective shroud						
IP 40	Ø 45 mm	Ø 22.5 mm		Metal	yellow RAL 1003	84-909	0.021 kg
	E-stop protective shroud						
IP 65	Ø 50 mm	Ø 22.5 mm		Plastic	yellow RAL 1003	84-906	0.015 kg

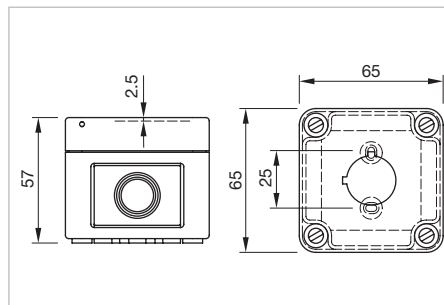
Fixing nut

Product attribute	Dimension	Material	Colour	Part No.	Weight
 Fixing nut					
For limited-space applications	Ø 28 mm	Plastic	black	84-905	0.002 kg
 Fixing nut					
Standard delivery	Ø 30 mm	Plastic	black	84-908	0.002 kg


Emergency-stop enclosure, IP 66

Additional Information

- Bottom grey similar RAL 7035; cover lead-sealable, yellow similar RAL 1004
- With mounting cut-out Ø22.5 mm, with anti-twist device
- Openings for cable gland M16 or M20



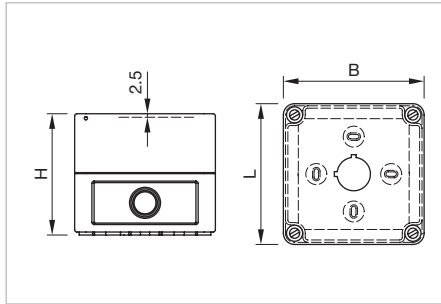
Dimensions [mm]

Dimension	Part No.	Weight
 Emergency-stop enclosure		
65 x 65 x 57 mm	84-910	0.099 kg






Stop switch enclosure, IP 66

Additional Information

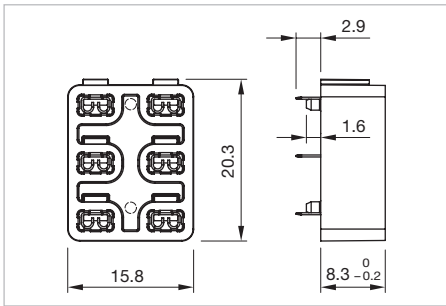
- Cover lead-sealable




Dimensions [mm]

Product attribute	Dimension	Material	Colour	Part No.	Weight
 <p>Enclosure</p>					
with mounting cut-out 1 x Ø 22.5 mm, with anti-twist device	L 94 x B 94 x H 81 mm	Plastic	grey, similar RAL 7035	704.945.1	0.211 kg
 <p>Enclosure</p>					
with mounting cut-out 2 x Ø 22.5 mm, with anti-twist device	L 130 x B 94 x H 81 mm	Plastic	grey, similar RAL 7035	704.945.2	0.251 kg
 <p>Enclosure</p>					
with mounting cut-out 3 x Ø 22.5 mm, with anti-twist device	L 180 x B 94 x H 81 mm	Plastic	grey, similar RAL 7035	704.945.3	0.313 kg
 <p>Enclosure</p>					
with mounting cut-out 4 x Ø 22.5 mm, with anti-twist device	L 180 x B 182 x H 110 mm	Plastic	grey, similar RAL 7035	704.945.4	0.572 kg
 <p>Enclosure</p>					
with mounting cut-out 6 x Ø 22.5 mm, with anti-twist device	L 180 x B 182 x H 110 mm	Plastic	grey, similar RAL 7035	704.945.5	0.568 kg

PCB plug-in base



Dimensions [mm]


Dimension	Pins	Terminal	Part No.	Component layout	Weight
 <p>PCB plug-in base</p>					
20.3 x 15.8 x 8.3 mm	axial	PCB	84-920	5	0.003 kg

The component layouts you will find from page 51

Cable gland, IP 68


Additional Information

- With traction relief


Product attribute	Thread	Material	Colour	Part No.	Weight
 <p>Cable gland</p>					
Clamping range Ø 4 ... 10 mm, thread length 8 mm	M16 x 1.5	Plastic	grey	61-9481.6	0.007 kg
Clamping range Ø 6 ... 12 mm, thread length 9 mm	M20 x 1.5	Plastic	grey	704.945.6	0.011 kg

84 Accessories

Flat receptacle

Product attribute	Part No.	Weight
 Flat receptacle		
2.8 x 0.5 mm plug-in terminal	31-946	0.001 kg

Insulation sleeve

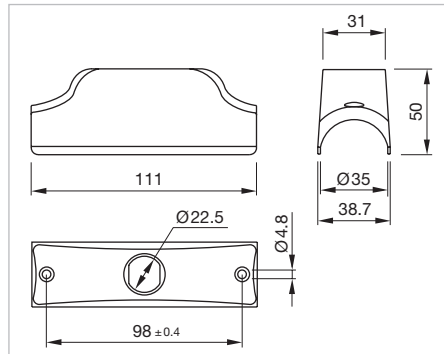
Product attribute	Part No.	Weight
 Insulation sleeve		
for flat receptacle 2.8 mm	31-929	0.001 kg

Stop request pushbutton


Housing pole mounting 35 mm

Additional Information

- Please note: The cut-out of the pole must read min. 22 mm and needs to be aligned with the switch
- Screws are not contained in the scope of supply



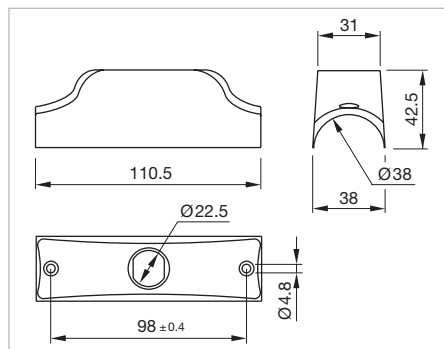
Dimensions [mm]

Material	Colour	Part No.	Weight
 <p>Housing pole mounting 35 mm</p>	yellow RAL 1023	84-9500.4	0.035 kg
	traffic blue RAL 5017	84-9500.6A	0.035 kg
	grey RAL 7016	84-9500.8	0.035 kg
	Plastic		


Housing pole mounting 38 mm

Additional Information

- Please note: The cut-out of the pole must read min. 22 mm and needs to be aligned with the switch
- Screws are not contained in the scope of supply



Dimensions [mm]

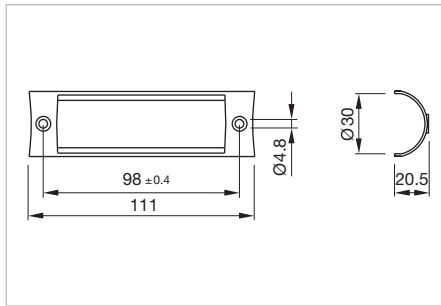
Material	Colour	Part No.	Weight	
 <p>Housing pole mounting 38 mm</p>	yellow RAL 1023	84-9600.4	0.030 kg	
	grey RAL 7016	84-9600.8	0.030 kg	
	Plastic			

84 Accessories


Adaptor reducing to 30 mm

Additional Information

- For housing, pole mounting 35 mm dia.



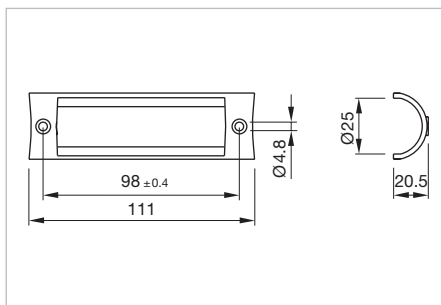
Dimensions [mm]

Material	Colour	Part No.	Weight
 Adaptor reducing to 30 mm			
Plastic	yellow RAL 1023	84-9700.4	0.024 kg
	grey RAL 7016	84-9700.8	0.024 kg


Adaptor reducing to 25 mm

Additional Information

- For housing, pole mounting 35 mm dia.



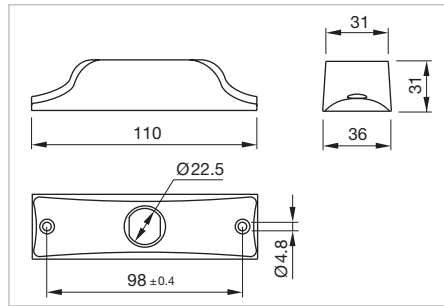
Dimensions [mm]

Material	Colour	Part No.	Weight
 Adaptor reducing to 25 mm			
Plastic	yellow RAL 1023	84-9300.4	0.008 kg
	grey RAL 7016	84-9300.8	0.008 kg


Housing wall mounting

Additional Information

- Please note: The cut-out of the pole must read min. 22 mm and needs to be aligned with the switch
- Screws are not contained in the scope of supply





Dimensions [mm]

Material	Colour	Part No.	Weight
 <p>Housing wall mounting</p>			
Plastic	yellow RAL 1023	84-9800.4	0.024 kg
	grey RAL 7016	84-9800.8	0.024 kg

Mounting


Mounting tool

Product attribute	Part No.	Weight
 <p>Mounting tool</p>		
for tightening or loosening the fixing nut, for emergency-stop and stop-switch	84-996	0.014 kg
 <p>Mounting tool</p>		
for tightening or loosening of fixing nut, for Indicator and Pushbutton	84-997	0.027 kg

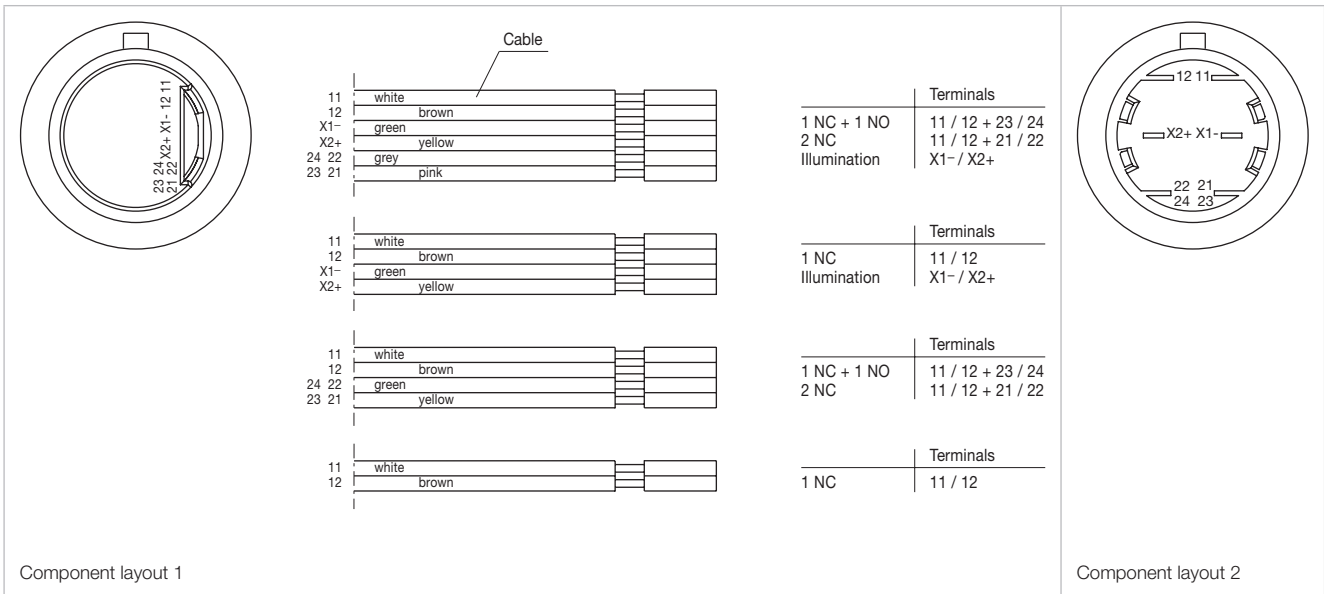
Dismantling tool

Additional Information

- For actuator dismantling of switching element, illumination element and mounting flange

Part No.	Weight
 <p>Combined dismantling tool</p>	
84-918	0.008 kg

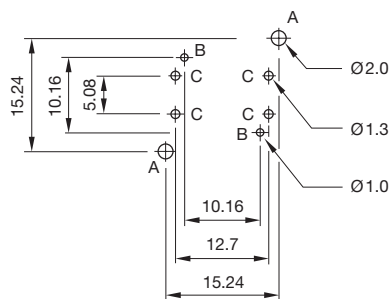
Drawings



Single-LED

Drilling plan (element side)

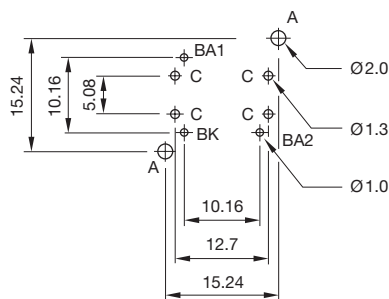
- A Fixing holes for mounting flange (92-960.0)
- B Holes for LED
- C Holes for contact pins
Pad max. Ø 2.5 mm
Through-connection recommended



Bi-colour-LED

Drilling plan (element side)

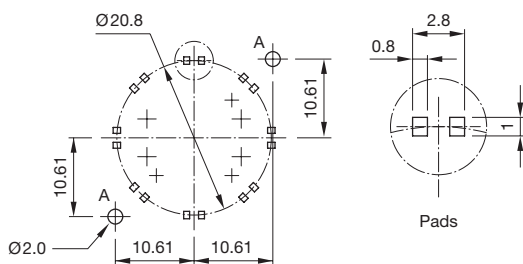
- A Fixing holes for mounting flange (92-960.0)
- B Holes for Bi-colour LED:
BA1 (green) + BA2 (yellow or red) = Anodes, BK = Cathode
- C Holes for contact pins
Pad max. Ø 2.5 mm
Through-connection recommended



Hyper mini Top-LED

Drilling plan (element side)

- A Fixing holes for mounting flange (84-960.0)

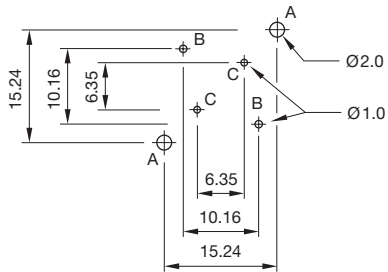


Component layout 3

Single-LED

Drilling plan (element side)

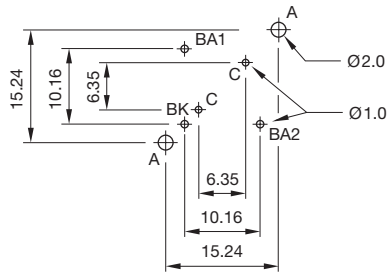
- A Fixing holes for mounting flange (92-960.0)
- B Holes for LED
- C Holes for centering pins



Bi-colour-LED

Drilling plan (element side)

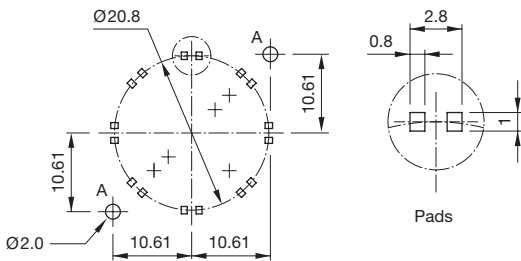
- A Fixing holes for mounting flange (92-960.0)
- B Holes for Bi-colour LED;
 - BA1 (green) + BA2 (yellow or red) = Anodes, BC = Cathode
- C Holes for centering pins



Hyper mini Top-LED

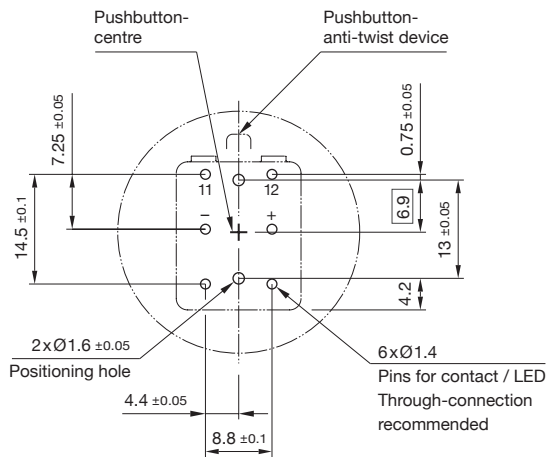
Drilling plan (element side)

- A Fixing holes for mounting flange (84-960.0)

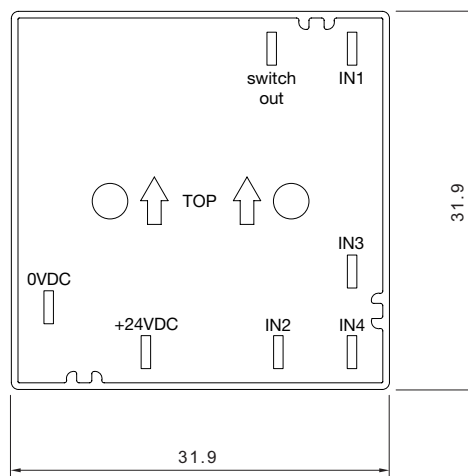


Component layout 4

Drilling plan (element side)



Component layout 5



Component layout 6

Emergency-stop
Switching system

The double-break switching system can be supplied for the following switching functions:

1 Normally closed, 2 Normally closed, 1 Normally closed + 1 Normally open.

The Normally closed contacts have forced opening according to EN IEC 60947-5-1

Material
Connection cable

Polyvinylchloride (PVC), operating temperature up to +65 °C

Mushroom-head cap

Polybutylenterephthalate (PBT), as per UL 94 V0 (red items)

Actuator housing

Polyamide (PA 66), as per UL 94 V0, Flat ribbon cable-cover
Polyamide (PA 6.6), as per UL 94 V0

Material of contact

Silver alloy gold plated

Mechanical characteristics
Front panel thickness

Standard 1 ... 4 mm
with EMERGENCY-STOP protective shroud Part No. 84-902
1 ... 3 mm

Mounting cut-outs

Ø22.3 mm as per EN IEC 60947-5-1 with anti-twist device

Terminals

Soldering terminals 2.8 x 0.5 mm (solderable), CuSn6 tin-plated
Flat ribbon cable 2-, 4-, or 6-poles 0.35 mm² (AWG 22)

Tightening torque

Fixing nut 80 Ncm

Actuating force

22 N ±4 N

Actuating travel

approx. 4 mm to release the internal operation part

Mechanical lifetime

≥ 50 000 cycles of operations

Electrical characteristics
Standards

The devices comply with: EN IEC 60947-5-1, EN IEC 60947-5-5 (EMERGENCY-STOP), DIN EN ISO 13850, EN IEC 60204

Illumination

LED red with pole reversal, constant current source
Operation Voltage 5 VDC ... 30 VDC
Current consumption 9.7 mA ... 12.4 mA

Rated Operational Voltage U_e

250 VAC, as per EN IEC 60947-1

Rated Insulation Voltage U_i

250 V, as per EN IEC 60947-1

Rated Impulse Withstand Voltage U_{imp}

2.5 kV, as per EN IEC 60947-1

Contact resistance

New state ≤ 50 mΩ, as per DIN IEC 60512-2-3

Isolation resistance

> 10¹¹ Ω between the open contacts at 500 VDC, as per DIN IEC 60512-3-1

Electrical life

≥ 50 000 cycles of operations (inductive cosφ 0.4), as per EN IEC 60947-5-1

Voltage	120 VAC	240 VAC	125 VDC	250 VDC
Current	3 A	1.5 A	0.55 A	0.27 A

Reduced load ≥ 50 000 cycles of operations (resistive)

Voltage	1 VAC/DC	42 VAC/DC
Current	100 mA	200 mA

Conventional free air thermal current I_{th}

5 A, as per EN IEC 60947-5-1

the maximum current in continuous operation and at ambient temperature must not exceed the quoted maximum values.

Switch rating

Switch rating AC with silver contact (gold plated), service category AC-15, as per EN IEC 60947-5-1

Voltage	120 VAC	240 VAC
Current	3 A	1.5 A

Switch rating DC for silver contact (gold plated), service category DC-13, as per EN IEC 60947-5-1

Voltage (VDC)	12 VDC	24 VDC	48 VDC	60 VDC	125 VDC	250 VDC
Current Plug	5 A	4 A	2.1 A	1.7 A	0.55 A	0.27 A
Current Cable	3 A	3 A	2.1 A	1.7 A	0.55 A	0.27 A

Recommended minimum operational data

Silver contacts (gold plated)

Voltage	1 VAC/DC
Current	1 mA

Electric strength

500 VAC, 50 Hz, 1 min, as per DIN IEC 60512-2

Rated conditional short-circuit current

1000 A, type of short-circuit unit 6 A gG, as per EN IEC 60947-5-1

Protection class

Class II, as per EN IEC 60947-5

Overvoltage category

II, as per EN IEC 60947-1

Degree of pollution

3, as per EN IEC 60947-1

Environmental conditions

Storage temperature

-25 °C ... +80 °C

Operating temperature

-25 °C ... +65 °C

Front protection

IP 65, as per EN IEC 60529

Shock resistance

(semi-sinusoidal)

max. 150 m/s², pulse width 11 ms, 3-axis,
as per EN IEC 60068-2-27

Vibration resistance

(sinusoidal)

max. 50 m/s² at 10 Hz ... 500 Hz, 10 cycles, 3-axis,
as per EN IEC 60068-2-6

Climate resistance

Damp heat, cyclic

96 hours, +25 °C/97 %, +55 °C/93 % relative humidity,
as per EN IEC 60068-2-30

Damp heat, steady

56 days, +40 °C/93 % relative humidity,
as per EN IEC 60068-2-78

Dry heat

96 hours, +70 °C, as per EN IEC 60068-2-2

Low temperature

96 hours, -40 °C, as per EN IEC 60068-2-1

Saline mist

96 Stunden, +35 °C in chemical solution NaCl,
as per EN IEC 60068-2-11

Approvals

Approbations

CB (IEC 60947)

UL

NFF

Declaration of conformity

CE

Switching element illuminated pushbutton

Switching system

Short-travel switching system with 2 independent contact points and tactile operation.

Guarantees reliable switching even of very light loads.

Fitted with 1 normally open contact.

Material

Connection cable

Polyvinylchloride (PVC), short-time heat-resistant up to 105 °C

Material of contact

Silver alloy gold plated

Switching element

Thermoplastic polyester (PET, PBT), as per UL 94 V0 and Polyacetale (POM), as per UL 94 HB

Mechanical characteristics

Terminals

Plug-in terminals 2.8 x 0.8 mm (solderable)

Flat ribbon cable 0.5 mm²

PCB terminal

Actuating force

4.0 N ± 0.2 N (measured at the lens)

Actuating travel

~0.5 mm

Rebound time

≤ 1 ms

Resistance to heat of soldering

250 °C, 3 s (PCB assembly)

320 °C, 3 s (when using a soldering iron)

Mechanical lifetime

≥ 1 million cycles of operations

Electrical characteristics

Illumination

Single-Chip LED, green, orange, red, yellow, white and blue

Operation Voltage 12 VDC 24 VDC

Current consumption 10 mA 10 mA

Contact resistance

Starting value (initial) ≤ 100 mΩ, as per DIN IEC 60512-2

Isolation resistance

≥ 1 GΩ between all terminals at 100 VDC,
as per DIN IEC 60512-3-1

Electrical life

as per EN IEC 60512-5

5 million cycles of operation	24 VAC, 50 mA at 480 Ω
5 million cycles of operation	24 VAC, 100 mA at 240 Ω
2 million cycles of operation	42 VAC, 50 mA at 840 Ω
2 million cycles of operation	42 VAC, 100 mA at 420 Ω
300 000 cycles of operation	42 VAC, 100 mA at $\cos\varphi$ 0.4
250 000 cycles of operation	42 VAC, 200 mA at $\cos\varphi$ 0.395
1 million cycles of operation	12 VDC, 250 mA at 48 Ω
1 million cycles of operation	24 VDC, 50 mA at 480 Ω
1 million cycles of operation	24 VDC, 100 mA at 240 Ω
5 million cycles of operation	42 VDC, 25 mA at 1680 Ω
1.5 million cycles of operation	42 VDC, 50 mA at 840 Ω
100 000 cycles of operation	42 VDC, 100 mA at 420 Ω
500 000 cycles of operation	24 VDC, 200 mA at L/R = 30 ms
300 000 cycles of operation	42 VDC, 100 mA at L/R = 30 ms
100 000 cycles of operation	42 VDC, 200 mA at L/R = 30 ms

Switch rating

Voltage 50 mVAC/DC ... 42 VAC/DC
 Current 10 µA ... 100 mA
 Power max. 2 W

Electric strength

500 VAC, 50 Hz, 1 min, as per DIN IEC 60512-2

Storage temperature

-40 °C ... +85 °C

Operating temperature

-25 °C ... +70 °C

Protection degree

Back protection:
 IP 40, standard version
 IP 67, fully sealed version, with mounted actuator only.

Shock resistance

(semi-sinusoidal)
 max. 100 m/s², pulse width 11 ms, 3-axis,
 as per EN IEC 60068-2-27

Vibration resistance

(sinusoidal)
 max. 50 m/s² at 10 Hz ... 500 Hz, 10 cycles, 3-axis,
 as per EN IEC 60068-2-6

Environmental conditions

Switching element Halo Compact

Switch configuration

A complete switch requires a halo compact programmable switch actuator body (transparent) and a lens. If the switch needs lens illumination in addition then a translucent plastic lens or aluminium lens with a window is required.

Use Halo Compact with illuminated pushbutton actuator (Part No. 84-1081.7) or with the indicator actuator (Part No. 84-0080.7).

The illumination style is selected by the connection of 24V to the pins.

Material

Housing

Ixef 1521 nature (PA)
 Hotmelt (sealing compound)

Material of contact

Silver alloy, gold-plated

The materials used comply with the high EAO standards relating to quality, functional safety, service life and design.

Mechanical characteristics

Terminals

Soldering/plug-in terminals
 2.8 x 0.8 mm (solderable)

Actuating force

4.0 N ± 0.2 N
 (measured at the lens)

Actuating distance

~0.5 mm

Mechanical lifetime

≥ 1 million cycles of operations

Electrical characteristics

Switching element

Short-travel snap-action switching system with two independent contact points and tactile operation.

Number of contacts: one normal open contact

Output
 Electronic high-side switch

Pre-configured light sequences
 - Full illumination
 - Blinking (interval: 1 second)
 - Rotating/chasing (one full rotation per second)
 - Process (changeover a group of 4 LEDs per second)

Special feature
 Integrated electronic switch for maintained action
 (High-side switch)

Operating voltage

24 VDC ± 10 %
Max. 100 mA

Current consumption

< 80 mA

LED-colours

All versions available with eight SMD LEDs for halo illumination plus one single LED (3mm) for central illumination. The following variants are available:

- 8 x red LEDs + 1 white single LED
- 8 x green LEDs + 1 white single LED
- 8 x yellow LEDs + 1 white single LED
- 8 x white LEDs + 1 white single LED
- 8 x blue LEDs + 1 white single LED
- 8 x red/green bi-colour LEDs + 1 white single LED

Light sequences central LED		IN1	IN2	IN3
not illuminated	illuminated			
1	–	0VDC	0VDC	0VDC
2	–	+24VDC	0VDC	0VDC
3	–	0VDC	+24VDC	0VDC
4	–	+24VDC	+24VDC	0VDC
–	5	0VDC	0VDC	+24VDC
–	6	+24VDC	0VDC	+24VDC
–	7	0VDC	+24VDC	+24VDC
–	8	+24VDC	+24VDC	+24VDC

* Functionen of light sequence:
1/5 = Full illumination
2/6 = Blink
3/7 = Rotation
4/8 = Process

Shock resistance

(semi-sinusoidal)
max. 100 m/s², pulse width 6 ms, 3-axis,
as per EN IEC 60068-2-27

Vibration resistance

(sinusoidal)
max. 50 m/s² at 10 Hz ... 500 Hz, 10 cycles, 3-axis,
as per EN IEC 60068-2-6

Ambient conditions

Storage temperature

–40 °C to +85 °C

Operating temperature

–25 °C to +70 °C

Degree of protection

IP67 front protection
(with actuator Part No. 84-1081.7 and 84-0080.7)

Approvals

Declaration of conformity

CE
ESD

Actuator

Material

Lens

Polycarbonate (PC), as per UL 94 V2 or Aluminium anodised

Actuator housing

Polyetherimid (PEI), as per UL 94 V0 or Aluminium anodised

Mechanical characteristics

Mounting cut-outs

Ø 22.5 mm and Ø 30.5 mm

Tightening torque

Fixing nut max. 80 Ncm

Actuating force

4.0 N ± 0.2 N (measured at the lens)

Actuating travel

Total switching travel 1.2 mm

Mechanical lifetime

≥ 1 million cycles of operations

Electrical characteristics

Electrostatic breakdown value

Plastic case ≥ 15 kV
Aluminium case ≥ 5 kV
as per IEC 61000-4-2, mounted in plastic front panel

Environmental conditions

Storage temperature

-40 °C bis +85 °C

Operating temperature

-25 °C bis +70 °C

Front protection

IP 67 and IP40, as per EN IEC 60529

Climate resistance

Damp heat, cyclic

96 hours, +25 °C/97 %, +55 °C/93 % relative humidity,
as per EN IEC 60068-2-30

Damp heat, state

56 days, +40 °C/93 % relative humidity,
as per EN IEC 60068-2-78

Rapid change of temperature

100 cycles, -40 °C ... +80 °C, as per EN IEC 60068-2-14

EAO reserves the right to alter specifications without further notice.

Approvals

Approbations

EBC

NFF

Declaration of conformity

CE

TSI/PRM

84 Application guidelines

Suppressor circuits

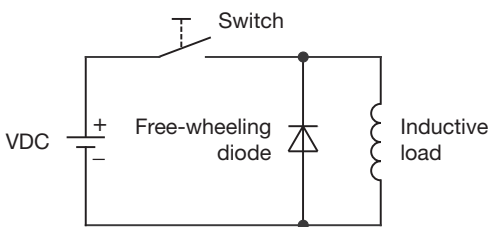
When switching inductive loads such as relays, DC motors, and DC solenoids, it is always important to absorb surges (e.g. with a diode) to protect the contacts. When these inductive loads are switched off, a counter emf can severely damage switch contacts and greatly shorten lifetime.

Fig. 1 shows an inductive load with a free-wheeling diode connected in parallel. This free-wheeling diode provides a path for the inductor current to flow when the current is interrupted by the switch. Without this free-wheeling diode, the voltage across the coil will be limited only by dielectric breakdown voltages of the circuit or parasitic elements of the coil. This voltage can be kilovolts in amplitude even when nominal circuit voltages are low (e.g. 12VDC) see Fig. 2.

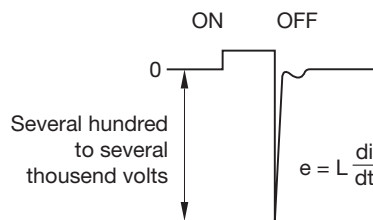
The free-wheeling diode should be chosen so that the reverse breakdown voltage is greater than the voltage driving the inductive load. The DC blocking voltage (V_R) of the free-wheeling diode can be found in the datasheet of a diode. The forward current should be equal or greater than the maximum current flowing through the load.

To get an efficient protection, the free-wheeling diode must be connected as close as possible to the inductive load!

Switching with inductive load
Fig. 1



Counter EMF
over load without free-wheeling diode
Fig. 2



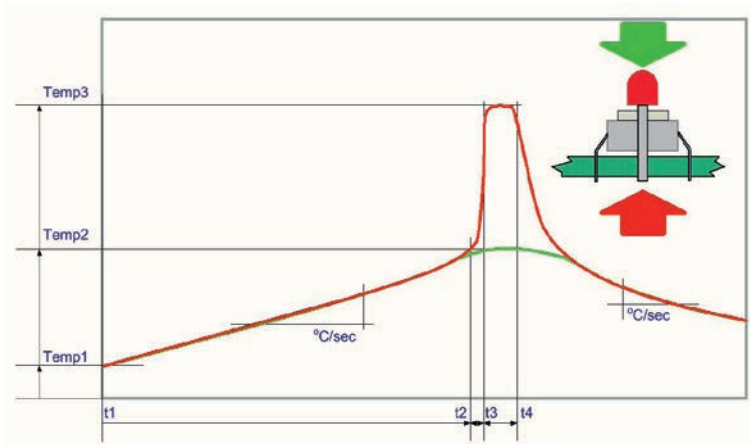
Note for soldering

Process parameter for wave soldering

Basic specification for wave soldering J-STD 75 W4C

Maximum temperature on the component side of the pcb (Temperature must not exceed during the entire processing)	120 °C
Preheating phase (t1 ... t2) Ramp up	70 ... 120 sec typ. + 1°C/sec
Ramp up to maximum temperature (t2 ... t3)	not defined
Maximum temperature on the soldering side (Temp 3) Maximum time of soldering process (t3 ... t4)	250 °C 3 sec
Ramp down at 170 °C:	typ. -2 °C/sec

Temperature curve wave soldering



Green curve: Temperature on the component side of the pcb
 Red curve: Temperature on the soldering side of the pcb

Room temperature: Temp 1

Preheating: Temperature process = Temp 1 ... Temp 2
 Process time = t1 ... t2

Ramp up to soldering temperature: Process time = t2 ... t3

Soldering phase: Temperature process = Temp 3
 Process time = t3 ... t4

Iron soldering

Basic specification for iron soldering IEC 60068-2-20

Maximum temperature at tip of iron: 320 °C

Maximum soldering time: 3 sec

Cleaning/Lacquering

The switching elements are not sealed. Cleaning up the PCB may damage the contacts in the switching elements. For this reason, the following points should be noted:

- When soldering make sure that the flux does not pass on the upper side of the PCB.
- When cleaning the PCB with detergents ensure that no dust or other debris may get inside of the switching elements.
- Ensure that no lacquer penetrates into the interior of the switching element when lacquering the PCB.

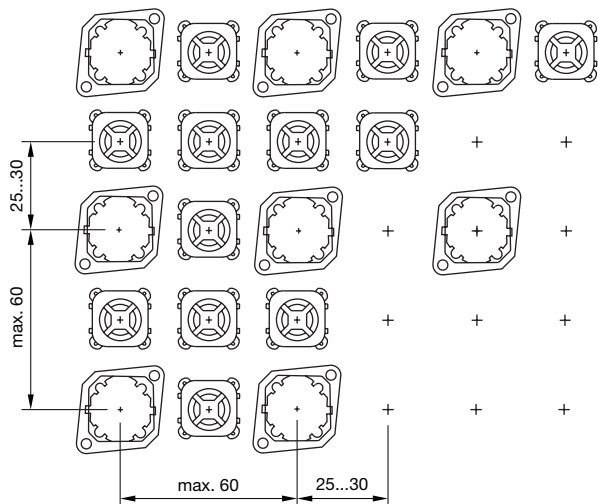
Storage of components

To obtain the optimum solderability of the components, the following points should be noted during storage:

- Do not store components in locations with high temperature or humidity.
- Do not expose components to corrosive gases.
- Avoid direct sunlight for a long period.

84 Application guidelines

Arrangement mounting flange for switching- and illumination element, PCB mounting



The arrangement of the mounting flanges and their number is determined by the size of the front panel or PCB. To ensure uniform, tactile switching, we recommend a layout of the flanges as per adjacent sketch.

For large PCBs with several switching elements we recommend the following procedure:

1. Fit the actuator to the front panel.
2. Clip the mounting flange to the rear of the intended actuator.
3. Screw the PCB with the components soldered to it to the assembled mounting flange.

This arrangement applies to PCBs 1.6 mm thick.

Dismantling mounting flange

The tool Part No. 84-998 must be used for removing the mounting flange from the actuator. Before removing the flange, the PCB fixing screws must be loosened.

Index from Part No.

Part No.	Page	Part No.	Page	Part No.	Page	Part No.	Page
10-2601.3172S.....	40	84-2101.0.....	8	84-7125.800.....	24	84-8511.2640.....	34
10-2601.3173S.....	40	84-2101.0.....	11	84-7201.000.....	25	84-8511.3320.....	34
10-2603.3174S.....	40	84-2101.0.....	13	84-7201.200.....	25	84-8511.3340.....	34
10-2603.3175L.....	40	84-3100.0.....	4	84-7201.400.....	26	84-8511.3620.....	34
10-2603.3176L.....	40	84-3100.0.....	5	84-7201.500.....	26	84-8511.3640.....	34
10-2603.3178L.....	40	84-3103.0000.1.....	31	84-7201.600.....	26	84-8511.4320.....	34
10-2603.320AL.....	40	84-3103.0000.2.....	31	84-7201.800.....	26	84-8511.4340.....	34
10-2603.320CL.....	40	84-5020.0020.....	21	84-7202.000.....	26	84-8511.4620.....	34
31-929.....	39	84-5020.0040.....	20	84-7202.000A.....	26	84-8511.4640.....	34
31-929.....	46	84-5021.2B20.....	21	84-7202.200.....	26	84-8511.5320.....	34
31-946.....	46	84-5021.2B40.....	20	84-7202.200A.....	26	84-8511.5340.....	34
61-9453.0.....	30	84-5030.0020.....	21	84-7202.400.....	26	84-8511.5620.....	34
61-9481.6.....	45	84-5030.0040.....	20	84-7202.400A.....	26	84-8511.5640.....	34
61-9707.7.....	24	84-5031.2B20.....	21	84-7202.500.....	26	84-8511.6320.....	34
61-9980.0.....	29	84-5031.2B40.....	20	84-7202.500B.....	26	84-8511.6340.....	34
704.945.1.....	44	84-5040.0020.....	21	84-7202.600.....	26	84-8511.6620.....	34
704.945.2.....	44	84-5040.0040.....	20	84-7202.600A.....	26	84-8511.6640.....	34
704.945.3.....	44	84-5041.2B20.....	21	84-7202.800.....	26	84-8511.9320.....	34
704.945.4.....	44	84-5041.2B40.....	20	84-7202.800A.....	26	84-8511.9340.....	34
704.945.5.....	44	84-5120.0020.....	21	84-7205.000.....	26	84-8511.9620.....	34
704.945.6.....	45	84-5120.0040.....	20	84-7205.000A.....	26	84-8511.9640.....	34
704.963.0.....	41	84-5121.2B20.....	21	84-7205.200.....	26	84-8515.7640.....	35
704.963.1.....	41	84-5121.2B40.....	20	84-7205.200A.....	26	84-8515.8640.....	35
704.963.2.....	41	84-5130.0020.....	21	84-7205.400.....	26	84-8716.2620.....	36
704.963.3.....	41	84-5130.0040.....	20	84-7205.400A.....	26	84-8716.4620.....	36
704.963.4.....	41	84-5131.2B20.....	21	84-7205.500.....	26	84-8716.5620.....	36
704.963.5.....	41	84-5131.2B40.....	20	84-7205.500A.....	26	84-8716.6620.....	36
704.963.6.....	41	84-5140.0020.....	21	84-7205.600.....	26	84-8716.8620.....	36
704.963.7.....	41	84-5140.0040.....	20	84-7205.600A.....	26	84-8716.9620.....	36
704.963.8.....	41	84-5141.2B20.....	21	84-7205.800.....	26	84-900.....	39
704.963.9.....	41	84-5141.2B40.....	20	84-7205.800A.....	26	84-902.....	42
704.964.8.....	30	84-6820.0020.....	23	84-7205.804A.....	27	84-902A.....	42
704.968.0.....	30	84-6820.0040.....	22	84-7205.805A.....	27	84-902B.....	42
704.968.1.....	30	84-6821.2B20.....	23	84-7205.806A.....	27	84-902D.....	42
84-0080.7.....	18	84-6821.2B40.....	22	84-7205.808A.....	27	84-905.....	43
84-0090.7.....	14	84-6830.0020.....	23	84-7211.000.....	28	84-906.....	42
84-0090.7.....	15	84-6830.0040.....	22	84-7211.200.....	28	84-908.....	43
84-0100.0.....	4	84-6831.2B20.....	23	84-7211.400.....	28	84-909.....	42
84-0100.0.....	5	84-6831.2B40.....	22	84-7211.500.....	28	84-910.....	43
84-0200.7.....	4	84-6840.0020.....	23	84-7211.600.....	28	84-9103.7.....	29
84-0200.7.....	5	84-6840.0040.....	22	84-7211.800.....	28	84-916.....	31
84-1081.7.....	19	84-6841.2B20.....	23	84-7215.000.....	28	84-918.....	50
84-1091.7.....	16	84-6841.2B40.....	22	84-7215.200.....	28	84-920.....	45
84-1091.7.....	17	84-7111.200.....	24	84-7215.400.....	28	84-9300.4.....	48
84-1101.0.....	6	84-7111.201.....	25	84-7215.500.....	28	84-9300.8.....	48
84-1101.0.....	8	84-7111.202.....	25	84-7215.600.....	28	84-9420.....	39
84-1101.0.....	11	84-7111.203.....	25	84-7215.800.....	28	84-9500.4.....	47
84-1101.0.....	13	84-7111.300.....	24	84-8001.2320.....	32	84-9500.6A.....	47
84-1201.0.....	6	84-7111.301.....	25	84-8001.2340.....	32	84-9500.8.....	47
84-1201.0.....	8	84-7111.400.....	24	84-8001.2620.....	32	84-960.0.....	38
84-1201.0.....	11	84-7111.401.....	25	84-8001.2640.....	32	84-9600.4.....	47
84-1201.0.....	13	84-7111.500.....	24	84-8001.3620.....	32	84-9600.8.....	47
84-1201.2.....	6	84-7111.501.....	25	84-8001.3640.....	32	84-9700.4.....	48
84-1201.2.....	8	84-7111.502.....	25	84-8001.4320.....	32	84-9700.8.....	48
84-1201.2.....	11	84-7111.503.....	25	84-8001.4340.....	32	84-9800.4.....	49
84-1201.2.....	13	84-7111.600.....	24	84-8001.4620.....	32	84-9800.8.....	49
84-1201.4.....	7	84-7111.601.....	25	84-8001.4640.....	32	84-996.....	50
84-1201.4.....	8	84-7111.602.....	25	84-8001.5320.....	32	84-997.....	50
84-1201.4.....	11	84-7111.603.....	25	84-8001.5340.....	32	92-800.042.....	38
84-1201.4.....	13	84-7111.700.....	24	84-8001.5620.....	32	92-851.342.....	37
84-1201.5.....	7	84-7111.701.....	25	84-8001.5640.....	32	92-960.0.....	38
84-1201.5.....	8	84-7111.702.....	25	84-8001.6320.....	32		
84-1201.5.....	11	84-7111.703.....	25	84-8001.6620.....	32		
84-1201.5.....	13	84-7114.600A.....	29	84-8001.6640.....	32		
84-1201.6.....	7	84-7115.200.....	24	84-8001.9320.....	32		
84-1201.6.....	8	84-7115.300.....	24	84-8001.9340.....	32		
84-1201.6.....	11	84-7115.400.....	24	84-8001.9620.....	32		
84-1201.6.....	13	84-7115.500.....	24	84-8001.9640.....	32		
84-1201.7.....	7	84-7115.600.....	24	84-8005.7620.....	33		
84-1201.7.....	8	84-7115.700.....	24	84-8005.7640.....	33		
84-1201.7.....	11	84-7121.000.....	24	84-8005.8620.....	33		
84-1201.7.....	13	84-7121.800.....	24	84-8005.8640.....	33		
84-1221.7.....	6	84-7124.000A.....	29	84-8510.0020.....	36		
84-1221.7.....	8	84-7124.200A.....	29	84-8510.0040.....	36		
84-1221.7.....	10	84-7124.400A.....	29	84-8511.2320.....	34		
84-1221.7.....	12	84-7124.500A.....	29	84-8511.2340.....	34		
84-2101.0.....	6	84-7125.000.....	24	84-8511.2620.....	34		

X-ON Electronics

Largest Supplier of Electrical and Electronic Components

Click to view similar products for [Pushbutton Switches](#) category:

Click to view products by [EAO](#) manufacturer:

Other Similar products are found below :

[8940K2012](#) [8971K1133](#) [LW1L-M1C10V-A](#) [LW1L-M1C70-A](#) [LW2L-A1C20M-GD](#) [LW2L-M1C20M-A](#) [60324L](#) [M22-D-R-GB0/K11](#) [M7E-HRN2](#) [67021K512](#) [67081K512X](#) [701PB580](#) [7199K101](#) [810K12910](#) [810KSV30B](#) [MML21EA2ADK](#) [MML21KA3ABK](#)
[MML23KA3AC05K-001](#) [MML23KW3AA01W](#) [8418K2](#) [8442K3](#) [8450K1](#) [860K11911T01A](#) [861901](#) [861K11911T01A07](#)
[861K13810T00A14](#) [861K13911](#) [8646AB6X718UL](#) [8646ABUL](#) [9001KXRK](#) [907AYY100](#) [PMHD155A1](#) [9533CD4+U574+U4922](#) [95-414.000](#) [99-450.837](#) [99-453.837](#) [PV3H2B0NN-341](#) [1203MRA](#) [A22NZBGANGA](#) [A22NZBNANGA](#) [A22NZMPATRA](#) [A2PMA1X03EC56](#)
[A3A-5123-02](#) [A3A-7140](#) [A3A-7310](#) [A3A-7340](#) [A3U-TMW-A2C-5M](#) [A595](#) [12037A2ULCSA](#) [ABD122N-B](#)