

Actuator

92-
343.700



<https://eao.com/p/92-343.700>

Your product:



92-343.700 Actuator

FRONT

Front dimension:	18,8 mm x 18,8 mm
Front form:	square
Front bezel colour:	White
Front bezel material:	Plastic

MOUNTING

Design:	PCB
Mounting type:	Panel mounting

OPERATING-/INDICATION PART

Lens colour:	Colourless
Lens material:	Plastic
Lens illumination:	illuminative
Lens shape:	flush
Lens optics:	transparent

ELECTRICAL CHARACTERISTICS

Switching voltage and switching current:	Switching voltage	min. 50 m VAC/DC max. 42 VAC/DC
	Switching current	min. 10 µA AC/DC max. 100 mA AC/DC
	Power rating	max. 2 W
Electrical lifetime:	500 000 cycles of operation at 42VDC, 50mA, according to IEC 6512-5-9c	
Electric strength:	500 VAC, 50 Hz, 1 minute according to IEC 60512-5-9c	
Electrostatic discharge (ESD):		

15 kV

MECHANICAL CHARACTERISTIC

Switching action:	Momentary
Switching system:	Short-travel element
Switching system:	Short-travel switching system with 2 independent contact points Guarantees reliable switching even of very light loads. Fitted with 1 normally open contact.
Mechanical lifetime:	≥1 Mio. cycles of operation
Operating force:	2.7 N ±1 N switching element, 5 N lens
Operating Travel:	ca. 0.4 mm switching element
Tightening torque:	Fixing nut max. 0.5 Nm, Fixing screw mounting flange 0.4 Nm
Weight:	0.003 kg

AMBIENT CONDITION

IP front protection:	IP67
IP Protection:	IP67 front side
Operating temperature:	- 25 °C ... + 70 °C
Storage temperature:	- 40 °C ... + 80 °C
Shock resistance:	Max. 500 m/s ² , pulse width, 3-axis (sinusoidal EN IEC 60068-2-27)
Vibration resistance:	Max. 100 m / s ² from 10 Hz ... 500 Hz, 10 cycles, 3-axis (sinusoidal EN IEC 60068-2-6)

CERTIFICATE

Approbations:	CQC
Conformities:	CE, UKCA, 2011 / 65 / EC (RoHS), 2014 / 35 / EU (LVD)
REACH:	REACH compliant
RoHS:	RoHS compliant

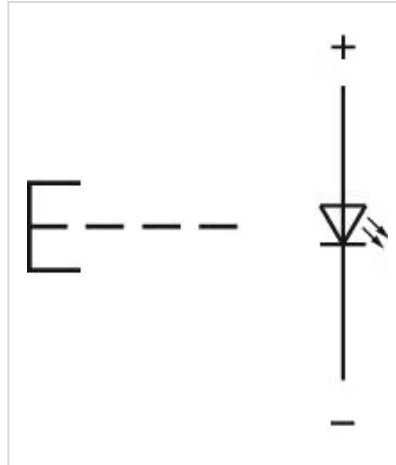
OTHER

Short Description:	Actuator, 18,8 mm x 18,8 mm, flush, illuminative, Colourless, Plastic, transparent, square, White, Plastic, Momentary, IP67
Dimension:	18.8 mm x 18.8 mm
Housing colour:	White

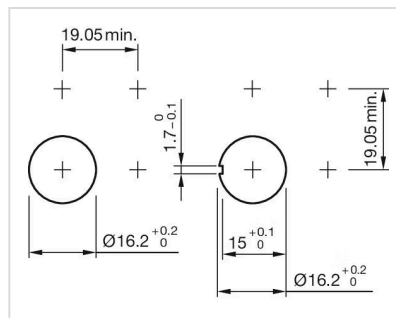
Housing material:

Plastic

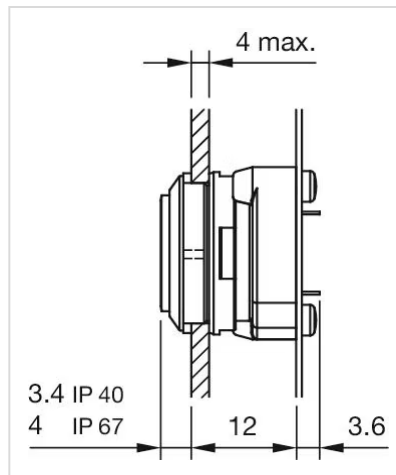
Wiring diagrams:



Mounting cut-outs:



Dimension drawings:



Where to Buy

X-ON Electronics

Largest Supplier of Electrical and Electronic Components

Click to view similar products for [Switch Bezels](#) / [Switch Caps](#) category:

Click to view products by [EAO manufacturer](#):

Other Similar products are found below :

[896809000](#) [LW2A-B1-G](#) [7527](#) [76](#) [760203000](#) [760503000](#) [766601000](#) [785105000](#) [785106000](#) [79211759](#) [MG12KB](#) [MH11](#) [MHU31](#)
[MJ1216](#) [MJ33](#) [MJ612](#) [908-1634](#) [95CAP-011](#) [11-932.7](#) [99-902.9](#) [99-909.5](#) [99-920.8](#) [A0261A](#) [11-931.2](#) [11-936](#) [AKTSC22B](#) [AT496F](#)
[AT496H](#) [161006](#) [1825068-3](#) [187-1872](#) [188-1471](#) [1DFBLK](#) [1DS30](#) [1KBS1116](#) [C159](#) [1TS00](#) [1X02](#) [1X03](#) [908-1632](#) [29PN](#) [2C00](#) [2D032](#)
[2D091](#) [2F204](#) [2J3](#) [2K00](#) [304-1871](#) [304-1875](#) [SK2AA00410](#)