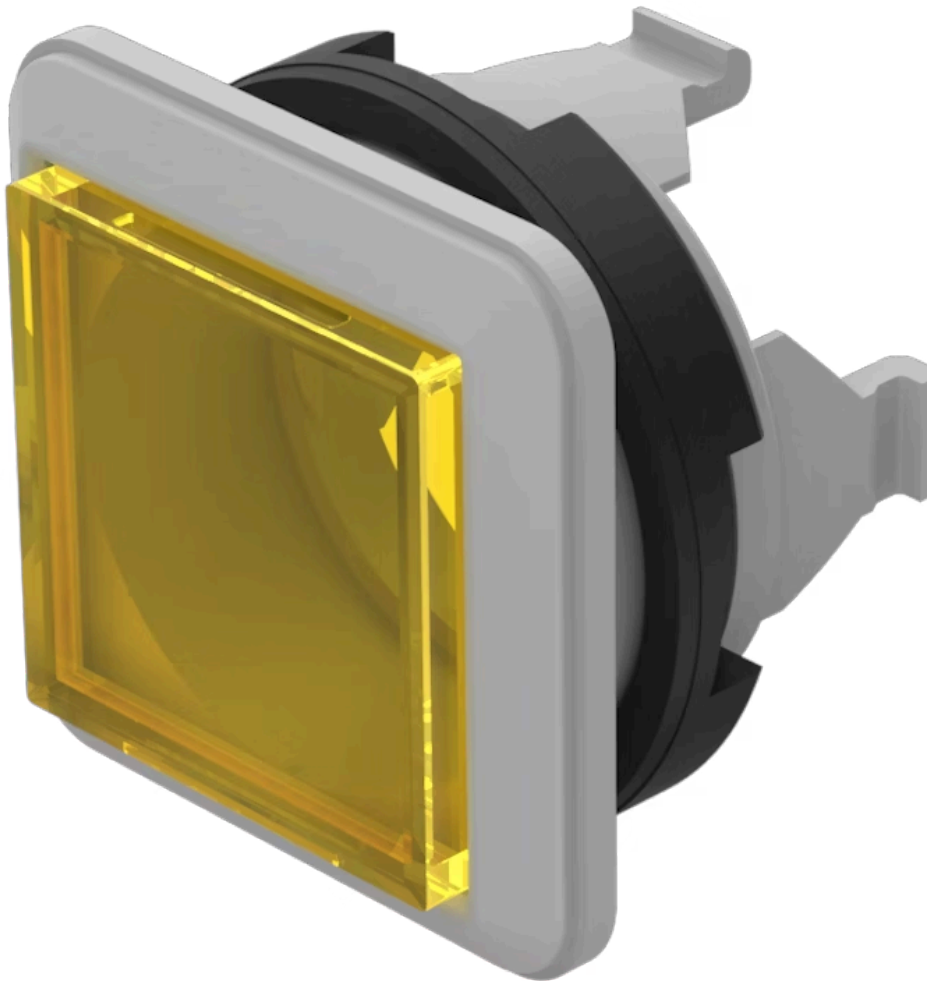


Actuator

92-
358.400



<https://eao.com/p/92-358.400>

Your product:



92-358.400 Actuator

FRONT

Front dimension:	18,4 mm x 18,4 mm
Front form:	square
Front bezel colour:	White
Front bezel material:	Plastic

MOUNTING

Design:	PCB
Mounting type:	Panel mounting

OPERATING-/INDICATION PART

Lens colour:	Yellow
Lens material:	Plastic
Lens illumination:	illuminative
Lens shape:	flush
Lens optics:	transparent
Illumination colour:	Yellow

ELECTRICAL CHARACTERISTICS

Switching voltage and switching current:	Switching voltage	min. 50 m VAC/DC max. 42 VAC/DC
	Switching current	min. 10 μ A AC/DC max. 100 mA AC/DC
	Power rating	max. 2 W

Electrical lifetime: 500 000 cycles of operation at 42VDC, 50mA, according to IEC 6512-5-9c

Electric strength:

500 VAC, 50 Hz, 1 minute according to IEC 60512-5-9c

Electrostatic discharge (ESD): 15 kV

MECHANICAL CHARACTERISTIC

Switching action: Momentary

Switching system: Short-travel element

Switching system: Short-travel switching system with 2 independent contact points
Guarantees reliable switching even of very light loads. Fitted with 1 normally open contact.

Mechanical lifetime: ≥ 1 Mio. cycles of operation

Operating force: 2.7 N \pm 1 N switching element, 5 N lens

Operating Travel: ca. 0.4 mm switching element

Tightening torque: Fixing nut max. 0.5 Nm, Fixing screw mounting flange 0.4 Nm

Weight: 0.003 kg

AMBIENT CONDITION

IP front protection: IP40

IP Protection: IP40 front side

Operating temperature: - 25 °C ... + 70 °C

Storage temperature: - 40 °C ... + 80 °C

Shock resistance: Max. 500 m/s², pulse width, 3-axis (sinusoidal EN IEC 60068-2-27)

Vibration resistance: Max. 100 m / s² from 10 Hz ... 500 Hz, 10 cycles, 3-axis (sinusoidal EN IEC 60068-2-6)

CERTIFICATE

Approbations: CQC

Conformities: CE, UKCA, 2011 / 65 / EC (RoHS), 2014 / 35 / EU (LVD)

REACH: REACH compliant

RoHS: RoHS compliant

OTHER

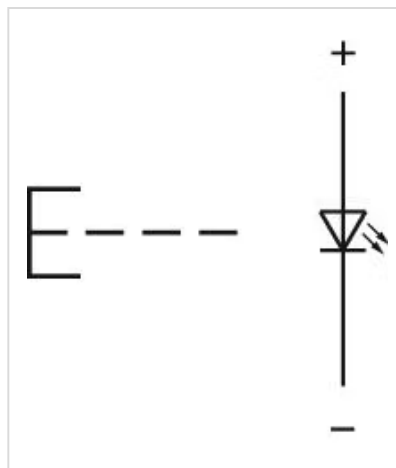
Short Description: Actuator, 18,4 mm x 18,4 mm, flush, illuminative, Yellow, Plastic, transparent, square, White, Plastic, Momentary, IP40, Yellow

Dimension: 18.4 mm x 18.4 mm

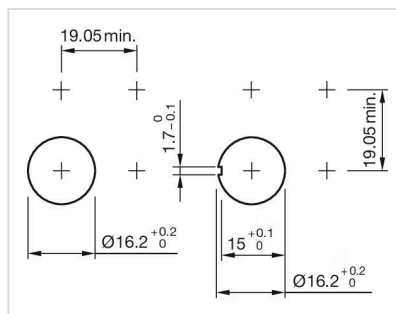
Housing colour: White

Housing material: Plastic

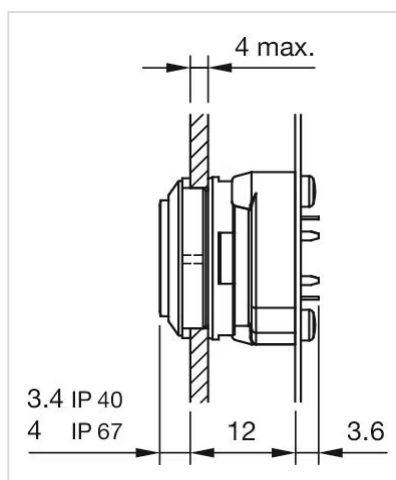
Wiring diagrams:



Mounting cut-outs:



Dimension drawings:



Where to Buy

X-ON Electronics

Largest Supplier of Electrical and Electronic Components

Click to view similar products for [Switch Actuators](#) category:

Click to view products by [EAO](#) manufacturer:

Other Similar products are found below :

[LW1B-A0L](#) [LW1B-M0](#) [9PA24](#) [A019307](#) [HW1F-3G](#) [HW4L-M0](#) [200-.704-00](#) [JS-10008](#) [JS-10083](#) [JS-10118](#) [JS-10133](#) [JS-10277](#) [JS-150](#)
[JS-552](#) [JS-555](#) [JS-6-B](#) [JS-91](#) [JS-94](#) [SAPT654133](#) [SW53AA2](#) [468-10243-001](#) [317-1153-017](#) [JM-13](#) [JS-138-B](#) [JS-143-B](#) [JS-49](#) [JS-551](#) [JS-](#)
[5-C](#) [KRR12](#) [LLDPZ00-000](#) [500-102](#) [030-2196-006](#) [110164](#) [51-378.FAD](#) [0714-0260](#) [6PA187-E6](#) [JS-85](#) [FS/012-016](#) [3SU1030-0AA30-](#)
[0AA0](#) [3SU1030-0AA60-0AA0](#) [52PP3W1](#) [VH1-01-XP](#) [110163](#) [CW4P-00](#) [KRR22NXXXX](#) [JS-556](#) [A018327](#) [SMCA2DP](#) [3206](#) [LS2Z52E](#)