

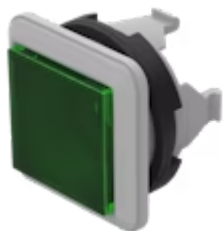
Actuator

92-
358.500



<https://eao.com/p/92-358.500>

Your product:



92-358.500 Actuator

FRONT

Front bezel material:	Plastic
Front bezel colour:	White
Front dimension:	18,4 mm x 18,4 mm
Front form:	square

MOUNTING

Design:	PCB
----------------	-----

OPERATING-/INDICATION PART

Lens material:	Plastic
Illumination colour:	Green
Lens shape:	flush
Lens colour:	Green
Lens illumination:	illuminative
Lens optics:	transparent

ELECTRICAL CHARACTERISTICS

Electric strength:	500 VAC, 50 Hz, 1 minute according to IEC 60512-5-9c
Electrical lifetime:	500 000 cycles of operation at 42VDC, 50mA, according to IEC 6512-5-9c
Electrostatic discharge (ESD):	15 kV
Switching voltage and switching current:	

Switching voltage	min. 50 m VAC/DC max. 42 VAC/DC
Switching current	min. 10 μ A AC/DC max. 100 mA AC/DC
Power rating	max. 2 W

MECHANICAL CHARACTERISTIC

Switching system:	Short-travel element
Operating force:	2.7 N \pm 1 N switching element, 5 N lens
Operating Travel:	ca. 0.4 mm switching element
Mechanical lifetime:	\geq 1 Mio. cycles of operation
Switching system:	Short-travel switching system with 2 independent contact points Guarantees reliable switching even of very light loads. Fitted with 1 normally open contact.
Tightening torque:	Fixing nut max. 0.5 Nm, Fixing screw mounting flange 0.4 Nm
Weight:	0.003 kg
Switching action:	Momentary

AMBIENT CONDITION

Operating temperature:	- 25 °C ... + 70 °C
Vibration resistance:	Max. 100 m / s ² from 10 Hz ... 500 Hz, 10 cycles, 3-axis (sinusoidal EN IEC 60068-2-6)
Shock resistance:	Max. 500 m/s ² , pulse width, 3-axis (sinusoidal EN IEC 60068-2-27)
IP Protection:	IP40 front side
Storage temperature:	- 40 °C ... + 80 °C

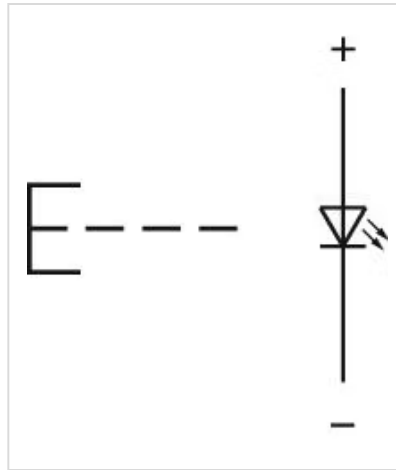
CERTIFICATE

Approbations:	CQC
Conformities:	CE, UKCA, 2011 / 65 / EC (RoHS), 2014 / 35 / EU (LVD)

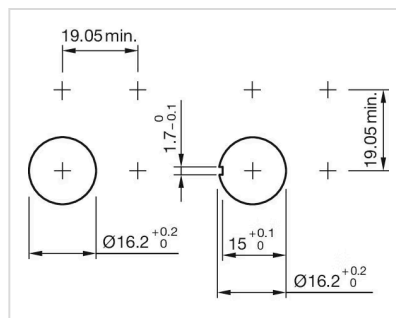
OTHER

Dimension:	18.4 mm x 18.4 mm
Housing material:	Plastic
Short Description:	Actuator, 18,4 mm x 18,4 mm, flush, illuminative, Green, Plastic, transparent, square, White, Plastic, Momentary, Green
Housing colour:	White

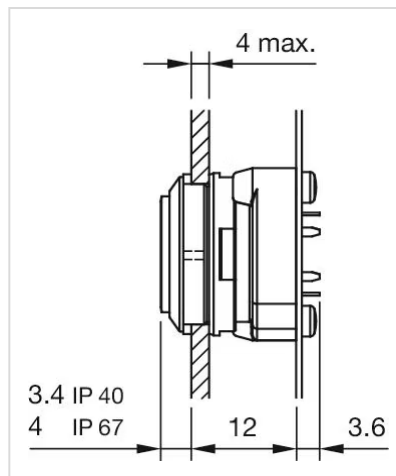
Wiring diagrams:



Mounting cut-outs:



Dimension drawings:



X-ON Electronics

Largest Supplier of Electrical and Electronic Components

Click to view similar products for [Switch Actuators](#) category:

Click to view products by [EAO](#) manufacturer:

Other Similar products are found below :

[LW1B-A0L](#) [LW1B-M0](#) [9PA24](#) [A019307](#) [HW1F-3G](#) [HW4L-M0](#) [200-.704-00](#) [JS-10008](#) [JS-10083](#) [JS-10118](#) [JS-10133](#) [JS-10277](#) [JS-150](#)
[JS-552](#) [JS-555](#) [JS-6-B](#) [JS-91](#) [JS-94](#) [SAPT654133](#) [SW53AA2](#) [LW2L-A0](#) [468-10243-001](#) [317-1153-017](#) [JM-13](#) [JS-138-B](#) [JS-143-B](#) [JS-49](#)
[JS-551](#) [JS-5-C](#) [KRR12](#) [LLDPZ00-000](#) [500-102](#) [030-2196-006](#) [110164](#) [51-378.FAD](#) [0714-0260](#) [6PA187-E6](#) [JS-85](#) [SAPT654133/BLK](#)
[FS/012-016](#) [3SU1030-0AA30-0AA0](#) [3SU1030-0AA60-0AA0](#) [52PP3W1](#) [VH1-01-XP](#) [110163](#) [CW4P-00](#) [KRR22NXXXX](#) [JS-556](#) [A018327](#)
[SMCA2DP](#)