

## Series 04

*Versatile. Robust and reliable.*

<https://eao.com/04>



# 04 Information about the Series

## Key advantages

- Versatile and reliable range of products
- Ideal for driver's cabs
- Modern and robust design
- Safe and ergonomically friendly in use
- Pronounced tactile feedback
- Customised and standardised markings

## Typical application areas

- Driver's desks
- Control panels
- Control cabinets
- Special vehicles
- Machinery

## Functions

- Pushbutton
- Illuminated pushbutton
- Mushroom-head pushbutton
- Selector switch
- Keylock switch
- Key insert switch
- Lever switch
- Indicator
- Potentiometer
- Stop switch
- Emergency stop switch

## Design

- Flush
- Raised

## IP front protection

- IP40
- IP54
- IP65
- IP67

## Rating

- 500 VAC (10 A)

## Mounting cut-outs

- Ø 22.3 mm
- Ø 30.5 mm
- 30 mm x 30 mm

## Terminal

- Plug-in terminal
- Double plug-in terminal
- Screw terminal
- Push-in terminal (PIT)

## Lens Material

- Aluminium
- Stainless steel
- Plastic

## Markings

- Engraving
- Hot stamping
- Pad printing
- Screen print
- Under eloxal printing

## Approvals

- CB (IEC 60947)
- CCC
- CSA
- DNV GL (previously Germanischer Lloyd)
- GOST
- NFF 16-102
- UL

## Conformities

- CE
- EN 45545
- ECE R 118
- 2006/42/EU (MD)
- 2011/65/EU (RoHS)
- REACH



## Flush design

|   |     |    |
|---|-----|----|
| Pushbutton square   | 52  | 01 |
| Pushbutton round  | 54  | 02 |
| Pushbutton square   | 56  | 03 |
| Pushbutton round  | 57  | 04 |
| Illuminated pushbutton square                                 | 58  | 09 |
| Illuminated pushbutton round                                  | 60  | 14 |
| Illuminated pushbutton square                                 | 62  | 17 |
| Illuminated pushbutton round                                  | 63  | 18 |
| Mushroom-head pushbutton                                      | 64  | 19 |
| Selector switch illuminated, 2 positions, short lever, square | 65  | 22 |
| Selector switch illuminated 2 positions short lever, round    | 66  | 31 |
| Selector switch 2 positions short lever, square               | 67  | 41 |
| Selector switch 2 positions, short lever, round               | 68  | 45 |
| Selector switch 2 positions, short lever, square              | 69  | 51 |
| Selector switch 2 positions, short lever, round               | 70  | 56 |
| Selector switch illuminated, 2 positions, long lever, square  | 71  | 57 |
| Selector switch illuminated, 2 positions, long lever, round   | 72  | 61 |
| Selector switch 2 positions, long lever, square               | 73  | 70 |
| Selector switch 2 positions, long lever, round                | 74  | 71 |
| Selector switch 2 positions, 12 o'clock, long lever, square   | 75  | 82 |
| Selector switch 2 positions, long lever, round                | 76  | 84 |
| Selector switch illuminated, 3 positions, short lever, square | 77  | 92 |
| Selector switch illuminated, 3 positions, short lever, round  | 79  | 96 |
| Selector switch 3 positions, short lever, square              | 81  |    |
| Selector switch 3 positions, short lever, round               | 82  |    |
| Selector switch illuminated, 3 positions, long lever, square  | 83  |    |
| Selector switch illuminated, 3 positions long lever, round    | 85  |    |
| Selector switch 3 positions, long lever, square               | 87  |    |
| Selector switch 3 positions, long lever, round                | 88  |    |
| Selector rotary switch, short lever rounded, round            | 89  |    |
| Selector rotary switch, short lever, square                   | 90  |    |
| Selector rotary switch short lever, round                     | 91  |    |
| Selector rotary switch, long lever rounded, round             | 92  |    |
| Selector rotary switch long lever, square                     | 93  |    |
| Selector rotary switch long lever, round                      | 94  |    |
| Keylock switch 2 positions, square                            | 95  |    |
| Keylock switch 2 positions, round                             | 96  |    |
| Keylock switch 3 positions, square                            | 97  |    |
| Keylock switch 3 positions, round                             | 99  |    |
| Keylock rotary switch   | 100 |    |
| Key-insert switch 2 positions                                 | 101 |    |
| Key-insert switch 3 positions                                 | 102 |    |
| Key-insert switch 3 positions, conductor switch               | 103 |    |
| Lever switch  | 104 |    |
| Indicator square  | 105 |    |
| Indicator round   | 106 |    |
| Indicator square  | 107 |    |
| Indicator round   | 108 |    |
| Flasher without LED square                                    | 109 |    |
| Flasher without LED round                                     | 111 |    |
| Flasher square  | 112 |    |

# 04 Index

## Flush design

|    |               |     |
|----|---------------|-----|
| 01 | Flasher round | 113 |
|    | Buzzer        | 114 |
| 02 | Potentiometer | 115 |
|    | Stop switch   | 116 |

## Raised design

|    |   |     |
|----|---|-----|
|    | Pushbutton square   | 117 |
|    | Pushbutton round  | 119 |
| 04 | Pushbutton square   | 122 |
|    | Pushbutton round  | 123 |
| 09 | Illuminated pushbutton square                                 | 124 |
|    | Illuminated pushbutton round                                  | 126 |
| 14 | Illuminated pushbutton square                                 | 128 |
|    | Illuminated pushbutton round                                  | 129 |
| 17 | Mushroom-head pushbutton                                      | 130 |
|    | Mushroom-head pushbutton illuminated                          | 132 |
| 18 | Selector switch illuminated, 2 positions, short lever, square | 133 |
|    | Selector switch illuminated, 2 positions, short lever, round  | 134 |
| 19 | Selector switch 2 positions, short lever, square              | 135 |
|    | Selector switch 2 positions, short lever, round               | 136 |
| 22 | Selector switch 2 positions, short lever, square              | 137 |
|    | Selector switch 2 positions, short lever, round               | 138 |
| 31 | Selector switch illuminated, 2 positions, long lever, square  | 139 |
|    | Selector switch illuminated, 2 positions, long lever, round   | 140 |
| 41 | Selector switch 2 positions, long lever, square               | 141 |
|    | Selector switch 2 positions, long lever, round                | 142 |
| 45 | Selector switch 2 positions, long lever, square               | 143 |
|    | Selector switch 2 positions, long lever, round                | 144 |
| 51 | Selector switch illuminated, 3 positions, short lever, square | 145 |
|    | Selector switch illuminated, 3 positions, short lever, round  | 147 |
| 56 | Selector switch 3 positions, short lever, square              | 149 |
|    | Selector switch 3 positions, short lever, round               | 150 |
| 57 | Selector switch illuminated, 3 positions, long lever, square  | 151 |
|    | Selector switch illuminated, 3 positions, long lever, round   | 153 |
| 61 | Selector switch 3 positions, long lever, square               | 155 |
|    | Selector switch 3 positions, long lever, round                | 156 |
| 70 | Selector rotary switch, short lever, rounded, square          | 157 |
|    | Selector rotary switch, short lever rounded, round            | 158 |
| 71 | Selector rotary switch, short lever, square                   | 159 |
|    | Selector rotary switch, short lever, round                    | 160 |
| 82 | Selector rotary switch, long lever rounded, square            | 161 |
|    | Selector rotary switch, long lever rounded, round             | 162 |
| 84 | Selector rotary switch, long lever, square                    | 163 |
|    | Selector rotary switch, long lever, round                     | 164 |
| 92 | Keylock switch 2 positions, square                            | 165 |
|    | Keylock switch 2 positions, round                             | 166 |
| 96 | Keylock switch 3 positions, square                            | 167 |
|    | Keylock switch 3 positions, round                             | 168 |
|    | Indicator full-face illumination compact, round               | 169 |
|    | Indicator full-face illumination compact, round               | 171 |
|    | Indicator full-face illumination, square                      | 172 |
|    | Indicator full-face illumination, round                       | 173 |

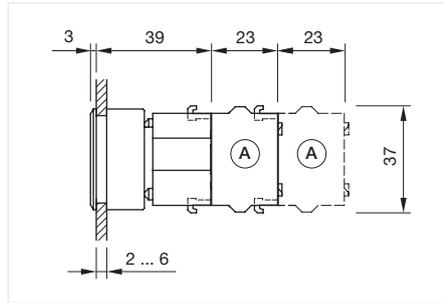
|   |            |
|---|------------|
| <b>Raised design</b>                              |            |
| Indicator full-face illumination, square          | 174        |
| Indicator full-face illumination, round           | 175        |
| Indicator front illumination, square              | 176        |
| Indicator front illumination, round               | 178        |
| Indicator front illumination, square              | 180        |
| Indicator front illumination, round               | 181        |
| Flasher full-face illumination, square            | 182        |
| Flasher full-face illumination, round             | 183        |
| Flasher full-face illumination, square            | 185        |
| Flasher full-face illumination, round             | 186        |
| Flasher front illumination, square                | 187        |
| Flasher front illumination, round                 | 189        |
| Flasher front illumination, square                | 191        |
| Flasher front illumination, round                 | 192        |
| Buzzer  | 193        |
| Potentiometer                                     | 194        |
| Stop switch Ø 37 mm                               | 195        |
| Stop switch Ø 40 mm                               | 196        |
| Emergency stop switch, foolproof EN IEC 60974-5-5 | 197        |
| Emergency call switch                             | 198        |
| <b>Components</b>                                 | <b>199</b> |
| <b>Accessories</b>                                | <b>237</b> |
| <b>Technical data</b>                             | <b>250</b> |
| <b>Marking</b>                                    | <b>263</b> |
| <b>Application guidelines</b>                     | <b>269</b> |

# 04 Flush design

## Pushbutton square, IP65



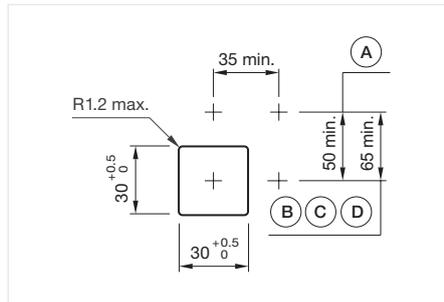
Product can differ from the current configuration.



Dimensions [mm]  
A = Screw terminal

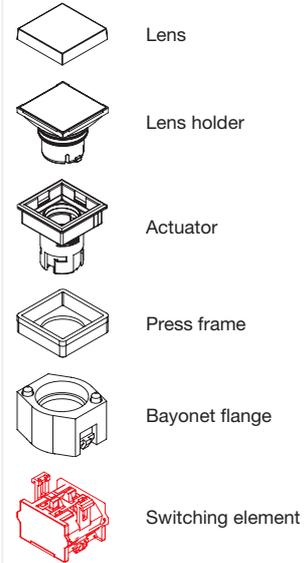
### General information

- Max. 3 switching elements can be clipped on



Mounting cut-outs [mm]  
A = Screw terminal  
B = Push-in terminal (PIT)  
C = Plug-in terminal 6.3 mm x 0.8 mm  
D = Double plug-in terminal 6.3 mm x 0.8 mm

### Equipment consisting of (schematic overview)



Page 213

Each Part Number listed below includes all the black components shown in the 3D-drawing.

To obtain a complete unit, please select the red components from the pages shown.



### Actuator, Front dimension 35 mm x 35 mm

| Switching action | Front bezel colour | Front bezel material | Lens colour | Lens material | Housing colour | Housing material | Part No.    | Wiring diagram |
|------------------|--------------------|----------------------|-------------|---------------|----------------|------------------|-------------|----------------|
| Momentary        | Black              | Plastic              | Black       | Plastic       | Black          | Plastic          | 704.209.000 | 72             |
|                  | Black              | Plastic              | Red         | Plastic       | Black          | Plastic          | 704.209.200 | 72             |
|                  | Black              | Plastic              | Yellow      | Plastic       | Black          | Plastic          | 704.209.400 | 72             |
|                  | Black              | Plastic              | Green       | Plastic       | Black          | Plastic          | 704.209.500 | 72             |
|                  | Black              | Plastic              | Blue        | Plastic       | Black          | Plastic          | 704.209.600 | 72             |
|                  | Black              | Plastic              | Colourless  | Plastic       | Black          | Plastic          | 704.209.700 | 72             |
|                  | Silver             | Plastic              | Black       | Plastic       | Black          | Plastic          | 704.210.008 | 72             |
|                  | Silver             | Plastic              | Red         | Plastic       | Black          | Plastic          | 704.210.208 | 72             |
|                  | Silver             | Plastic              | Yellow      | Plastic       | Black          | Plastic          | 704.210.408 | 72             |
|                  | Silver             | Plastic              | Green       | Plastic       | Black          | Plastic          | 704.210.508 | 72             |
|                  | Silver             | Plastic              | Blue        | Plastic       | Black          | Plastic          | 704.210.608 | 72             |
|                  | Silver             | Plastic              | Colourless  | Plastic       | Black          | Plastic          | 704.210.708 | 72             |
| Maintained       | Black              | Plastic              | Red         | Plastic       | Black          | Plastic          | 704.239.200 | 73             |
|                  | Black              | Plastic              | Yellow      | Plastic       | Black          | Plastic          | 704.239.400 | 73             |
|                  | Black              | Plastic              | Blue        | Plastic       | Black          | Plastic          | 704.239.600 | 73             |
|                  | Black              | Plastic              | Colourless  | Plastic       | Black          | Plastic          | 704.239.700 | 73             |
|                  | Silver             | Plastic              | Red         | Plastic       | Black          | Plastic          | 704.240.208 | 73             |
|                  | Silver             | Plastic              | Yellow      | Plastic       | Black          | Plastic          | 704.240.408 | 73             |
|                  | Silver             | Plastic              | Green       | Plastic       | Black          | Plastic          | 704.240.508 | 73             |
|                  | Silver             | Plastic              | Colourless  | Plastic       | Black          | Plastic          | 704.240.708 | 73             |

## Wiring diagrams

|  |  |
|--|--|
|  <p>Wiring diagram 72</p> |  <p>Wiring diagram 73</p> |
|--|--|

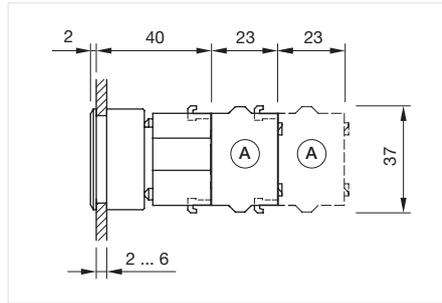
- 01
- 02
- 03
- 04**
- 09
- 14
- 17
- 18
- 19
- 22
- 31
- 41
- 45
- 51
- 56
- 57
- 61
- 70
- 71
- 82
- 84
- 92
- 96

# 04 Flush design

## Pushbutton round, IP65



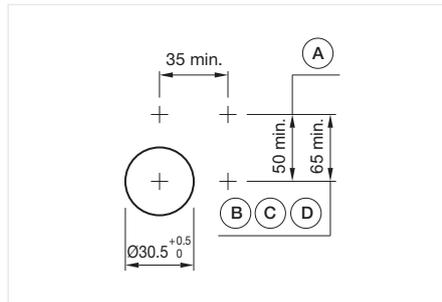
Product can differ from the current configuration.



Dimensions [mm]  
A = Screw terminal

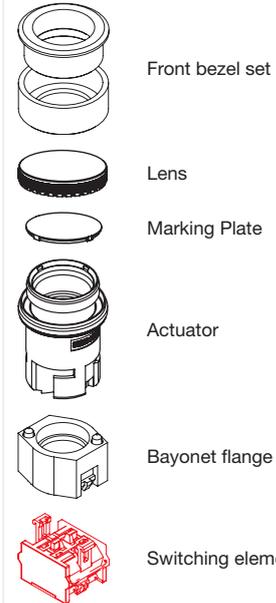
### General information

- Max. 3 switching elements can be clipped on
- The colour of anodised aluminium parts can vary due to technical production reasons



Mounting cut-outs [mm]  
A = Screw terminal  
B = Push-in terminal (PIT)  
C = Plug-in terminal 6.3 mm x 0.8 mm  
D = Double plug-in terminal 6.3 mm x 0.8 mm

### Equipment consisting of (schematic overview)



Each Part Number listed below includes all the black components shown in the 3D-drawing.

To obtain a complete unit, please select the red components from the pages shown.

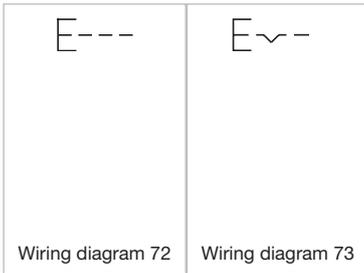
Page 213



### Actuator, Front dimension Ø 35 mm

| Switching action | Front bezel colour | Front bezel material | Front bezel surface | Lens colour | Lens material | Housing colour | Housing material | Part No.    | Wiring diagram |
|------------------|--------------------|----------------------|---------------------|-------------|---------------|----------------|------------------|-------------|----------------|
| Momentary        | Nature             | Aluminium            | anodised            | Black       | Aluminium     | Grey           | Plastic          | 704.011.018 | 72             |
|                  | Nature             | Aluminium            | anodised            | Red         | Aluminium     | Grey           | Plastic          | 704.011.218 | 72             |
|                  | Nature             | Aluminium            | anodised            | Gold        | Aluminium     | Grey           | Plastic          | 704.011.418 | 72             |
|                  | Nature             | Aluminium            | anodised            | Olive green | Aluminium     | Grey           | Plastic          | 704.011.518 | 72             |
|                  | Nature             | Aluminium            | anodised            | Blue        | Aluminium     | Grey           | Plastic          | 704.011.618 | 72             |
|                  | Nature             | Aluminium            | anodised            | Nature      | Aluminium     | Grey           | Plastic          | 704.011.818 | 72             |
|                  | Nature             | Aluminium            | anodised            | Black       | Plastic       | Grey           | Plastic          | 704.012.018 | 72             |
|                  | Nature             | Aluminium            | anodised            | Red         | Plastic       | Grey           | Plastic          | 704.012.218 | 72             |
|                  | Nature             | Aluminium            | anodised            | Yellow      | Plastic       | Grey           | Plastic          | 704.012.418 | 72             |
|                  | Nature             | Aluminium            | anodised            | Green       | Plastic       | Grey           | Plastic          | 704.012.518 | 72             |
|                  | Nature             | Aluminium            | anodised            | Blue        | Plastic       | Grey           | Plastic          | 704.012.618 | 72             |
|                  | Nature             | Aluminium            | anodised            | Colourless  | Plastic       | Grey           | Plastic          | 704.012.718 | 72             |
| Maintained       | Nature             | Aluminium            | anodised            | Black       | Plastic       | Grey           | Plastic          | 704.042.018 | 73             |
|                  | Nature             | Aluminium            | anodised            | Red         | Plastic       | Grey           | Plastic          | 704.042.218 | 73             |
|                  | Nature             | Aluminium            | anodised            | Yellow      | Plastic       | Grey           | Plastic          | 704.042.418 | 73             |
|                  | Nature             | Aluminium            | anodised            | Green       | Plastic       | Grey           | Plastic          | 704.042.518 | 73             |
|                  | Nature             | Aluminium            | anodised            | Blue        | Plastic       | Grey           | Plastic          | 704.042.618 | 73             |
|                  | Nature             | Aluminium            | anodised            | Colourless  | Plastic       | Grey           | Plastic          | 704.042.718 | 73             |

## Wiring diagrams



01

02

03

**04**

09

14

17

18

19

22

31

41

45

51

56

57

61

70

71

82

84

92

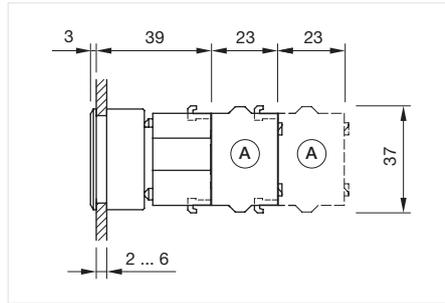
96

# 04 Flush design

## Pushbutton square, IP65



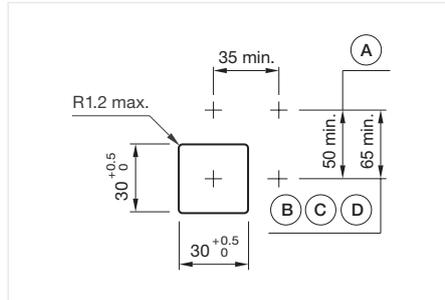
Product can differ from the current configuration.



Dimensions [mm]  
A = Screw terminal

### General information

- Max. 3 switching elements can be clipped on



Mounting cut-outs [mm]  
A = Screw terminal  
B = Push-in terminal (PIT)  
C = Plug-in terminal 6.3 mm x 0.8 mm  
D = Double plug-in terminal 6.3 mm x 0.8 mm

### Equipment consisting of (schematic overview)

|  |                   |          |
|--|-------------------|----------|
|  | Lens              | Page 199 |
|  | Lens holder       | Page 201 |
|  | Actuator          |          |
|  | Press frame       |          |
|  | Bayonet flange    | Page 203 |
|  | Switching element | Page 213 |

Each Part Number listed below includes all the black components shown in the 3D-drawing.

To obtain a complete unit, please select the red components from the pages shown.



Actuator, Front dimension 35 mm x 35 mm

| Switching action | Front bezel colour | Front bezel material | Housing colour | Housing material | Part No.  | Wiring diagram |
|------------------|--------------------|----------------------|----------------|------------------|-----------|----------------|
| Momentary        | Black              | Plastic              | Black          | Plastic          | 704.741.0 | 72             |
|                  | Silver             | Plastic              | Black          | Plastic          | 704.741.8 | 72             |
| Maintained       | Black              | Plastic              | Black          | Plastic          | 704.742.0 | 73             |
|                  | Silver             | Plastic              | Black          | Plastic          | 704.742.8 | 73             |

## Wiring diagrams

|                   |                   |
|-------------------|-------------------|
|                   |                   |
| Wiring diagram 72 | Wiring diagram 73 |

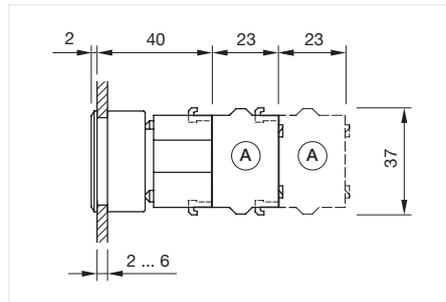
## Pushbutton round, IP65

### Equipment consisting of (schematic overview)

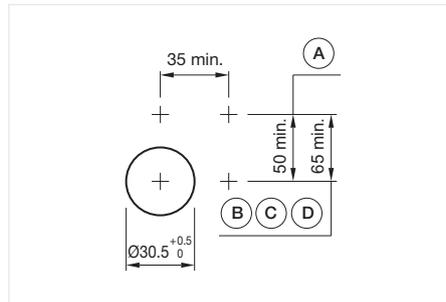
|   |                   |          |
|---|-------------------|----------|
|  | Front bezel set   | Page 202 |
|  | Lens              | Page 199 |
|  | Marking Plate     | Page 201 |
|  | Actuator          |          |
|  | Bayonet flange    | Page 203 |
|  | Switching element | Page 213 |

Each Part Number listed below includes all the black components shown in the 3D-drawing.

To obtain a complete unit, please select the red components from the pages shown.



Dimensions [mm]  
A = Screw terminal



Mounting cut-outs [mm]  
A = Screw terminal  
B = Push-in terminal (PIT)  
C = Plug-in terminal 6.3 mm x 0.8 mm  
D = Double plug-in terminal 6.3 mm x 0.8 mm



Product can differ from the current configuration.

### General information

- Max. 3 switching elements can be clipped on
- The colour of anodised aluminium parts can vary due to technical production reasons



Actuator, Front dimension Ø 35 mm

| Switching action | Housing colour | Housing material | Part No.  | Wiring diagram |
|------------------|----------------|------------------|-----------|----------------|
| Momentary        | Grey           | Plastic          | 704.631.1 | 72             |
| Maintained       | Grey           | Plastic          | 704.632.1 | 73             |

### Wiring diagrams

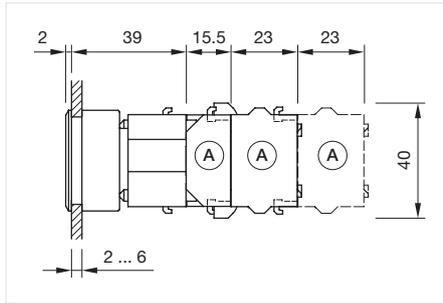
|   |   |
|---|---|
|  |  |
| Wiring diagram 72   | Wiring diagram 73   |

# 04 Flush design

## Illuminated pushbutton square, IP65



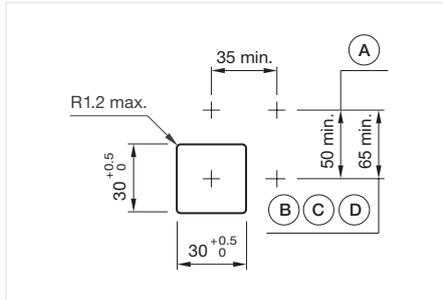
Product can differ from the current configuration.



Dimensions [mm]  
A = Screw terminal

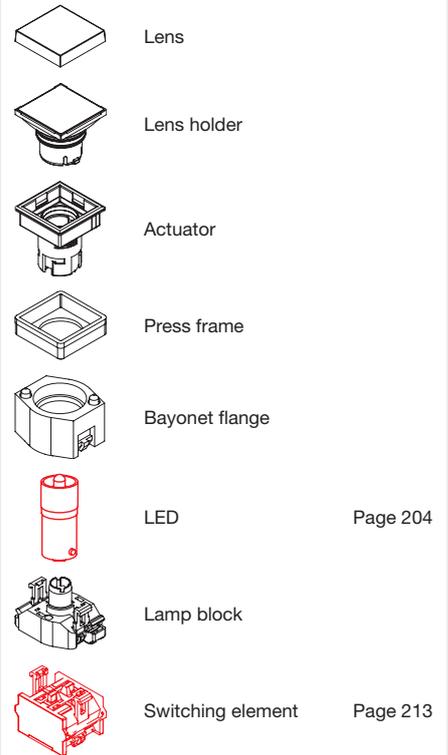
### General information

- Max. 3 switching elements can be clipped on
- The lamp block will be delivered with screw terminal



Mounting cut-outs [mm]  
A = Screw terminal  
B = Push-in terminal (PIT)  
C = Plug-in terminal 6.3 mm x 0.8 mm  
D = Double plug-in terminal 6.3 mm x 0.8 mm

### Equipment consisting of (schematic overview)



Each Part Number listed below includes all the black components shown in the 3D-drawing.

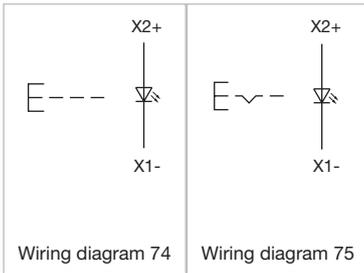
To obtain a complete unit, please select the red components from the pages shown.



Actuator, Front dimension 35 mm x 35 mm

| Switching action | Front bezel colour | Front bezel material | Lens colour | Lens material | Housing colour | Housing material | Part No.    | Wiring diagram |
|------------------|--------------------|----------------------|-------------|---------------|----------------|------------------|-------------|----------------|
| Momentary        | Black              | Plastic              | Red         | Plastic       | Black          | Plastic          | 704.229.200 | 74             |
|                  | Black              | Plastic              | Yellow      | Plastic       | Black          | Plastic          | 704.229.400 | 74             |
|                  | Black              | Plastic              | Green       | Plastic       | Black          | Plastic          | 704.229.500 | 74             |
|                  | Black              | Plastic              | Blue        | Plastic       | Black          | Plastic          | 704.229.600 | 74             |
|                  | Black              | Plastic              | Colourless  | Plastic       | Black          | Plastic          | 704.229.700 | 74             |
|                  | Silver             | Plastic              | Red         | Plastic       | Black          | Plastic          | 704.230.208 | 74             |
|                  | Silver             | Plastic              | Yellow      | Plastic       | Black          | Plastic          | 704.230.408 | 74             |
|                  | Silver             | Plastic              | Green       | Plastic       | Black          | Plastic          | 704.230.508 | 74             |
|                  | Silver             | Plastic              | Blue        | Plastic       | Black          | Plastic          | 704.230.608 | 74             |
|                  | Silver             | Plastic              | Colourless  | Plastic       | Black          | Plastic          | 704.230.708 | 74             |
| Maintained       | Black              | Plastic              | Red         | Plastic       | Black          | Plastic          | 704.259.200 | 75             |
|                  | Black              | Plastic              | Yellow      | Plastic       | Black          | Plastic          | 704.259.400 | 75             |
|                  | Black              | Plastic              | Green       | Plastic       | Black          | Plastic          | 704.259.500 | 75             |
|                  | Black              | Plastic              | Blue        | Plastic       | Black          | Plastic          | 704.259.600 | 75             |
|                  | Black              | Plastic              | Colourless  | Plastic       | Black          | Plastic          | 704.259.700 | 75             |
|                  | Silver             | Plastic              | Red         | Plastic       | Black          | Plastic          | 704.260.208 | 75             |
|                  | Silver             | Plastic              | Yellow      | Plastic       | Black          | Plastic          | 704.260.408 | 75             |
|                  | Silver             | Plastic              | Green       | Plastic       | Black          | Plastic          | 704.260.508 | 75             |
|                  | Silver             | Plastic              | Blue        | Plastic       | Black          | Plastic          | 704.260.608 | 75             |
|                  | Silver             | Plastic              | Colourless  | Plastic       | Black          | Plastic          | 704.260.708 | 75             |

## Wiring diagrams



- 01
- 02
- 03
- 04**
- 09
- 14
- 17
- 18
- 19
- 22
- 31
- 41
- 45
- 51
- 56
- 57
- 61
- 70
- 71
- 82
- 84
- 92
- 96



**EAO Downloads.**  
[www.eao.com/downloads](http://www.eao.com/downloads)  
*EAO creates possibilities. Since 1947.*



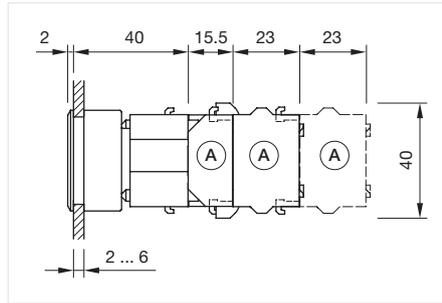
On our website you can download technical data, assembly instructions, catalogs, brochures and much more.

# 04 Flush design

## Illuminated pushbutton round, IP65



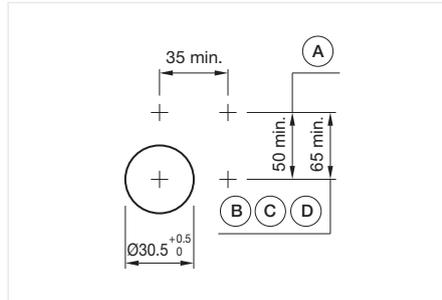
Product can differ from the current configuration.



Dimensions [mm]  
A = Screw terminal

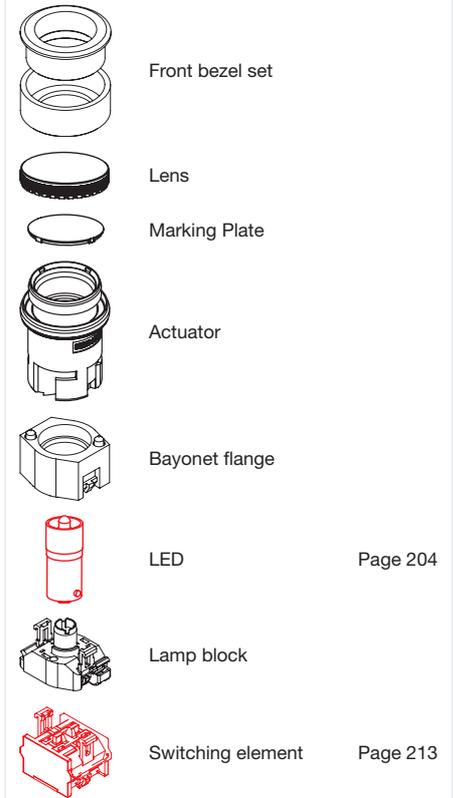
### General information

- Max. 3 switching elements can be clipped on
- The lamp block will be delivered with screw terminal
- The colour of anodised aluminium parts can vary due to technical production reasons



Mounting cut-outs [mm]  
A = Screw terminal  
B = Push-in terminal (PIT)  
C = Plug-in terminal 6.3 mm x 0.8 mm  
D = Double plug-in terminal 6.3 mm x 0.8 mm

### Equipment consisting of (schematic overview)



Each Part Number listed below includes all the black components shown in the 3D-drawing.

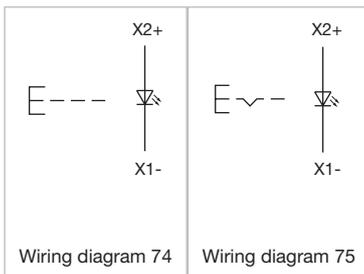
To obtain a complete unit, please select the red components from the pages shown.



Actuator, Front dimension Ø 35 mm

| Switching action | Front bezel colour | Front bezel material | Front bezel surface | Lens colour | Lens material | Housing colour | Housing material | Part No.    | Wiring diagram |
|------------------|--------------------|----------------------|---------------------|-------------|---------------|----------------|------------------|-------------|----------------|
| Momentary        | Nature             | Aluminium            | anodised            | Red         | Plastic       | Grey           | Plastic          | 704.032.218 | 74             |
|                  | Nature             | Aluminium            | anodised            | Yellow      | Plastic       | Grey           | Plastic          | 704.032.418 | 74             |
|                  | Nature             | Aluminium            | anodised            | Green       | Plastic       | Grey           | Plastic          | 704.032.518 | 74             |
|                  | Nature             | Aluminium            | anodised            | Blue        | Plastic       | Grey           | Plastic          | 704.032.618 | 74             |
|                  | Nature             | Aluminium            | anodised            | Colourless  | Plastic       | Grey           | Plastic          | 704.032.718 | 74             |
| Maintained       | Nature             | Aluminium            | anodised            | Red         | Plastic       | Grey           | Plastic          | 704.062.218 | 75             |
|                  | Nature             | Aluminium            | anodised            | Yellow      | Plastic       | Grey           | Plastic          | 704.062.418 | 75             |
|                  | Nature             | Aluminium            | anodised            | Green       | Plastic       | Grey           | Plastic          | 704.062.518 | 75             |
|                  | Nature             | Aluminium            | anodised            | Blue        | Plastic       | Grey           | Plastic          | 704.062.618 | 75             |
|                  | Nature             | Aluminium            | anodised            | Colourless  | Plastic       | Grey           | Plastic          | 704.062.718 | 75             |

## Wiring diagrams



### Modern. Tactile and long-lasting. *Series 04 illuminated selector switches.*

Intuitive and reliable operation for enhanced safety in public transportation.

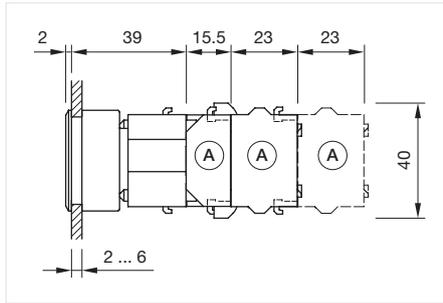
- Bright, single or bi-colour LED illumination
- Modern, ergonomic design
- Rounded edges (in accordance with DIN 5566-1)
- Excellent tactile feedback
- Long service life and robust construction
- Wide range of possible combinations and options

# 04 Flush design

## Illuminated pushbutton square, IP65



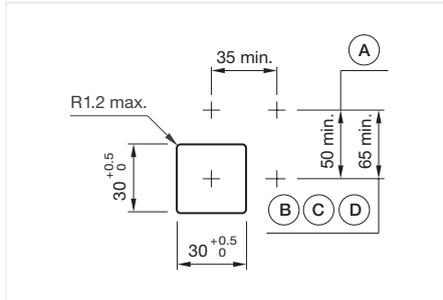
Product can differ from the current configuration.



Dimensions [mm]  
A = Screw terminal

### General information

- Max. 3 switching elements can be clipped on



Mounting cut-outs [mm]  
A = Screw terminal  
B = Push-in terminal (PIT)  
C = Plug-in terminal 6.3 mm x 0.8 mm  
D = Double plug-in terminal 6.3 mm x 0.8 mm

### Equipment consisting of (schematic overview)

|  |                   |          |
|--|-------------------|----------|
|  | Lens              | Page 199 |
|  | Lens holder       | Page 201 |
|  | Actuator          |          |
|  | Press frame       |          |
|  | Bayonet flange    | Page 203 |
|  | LED               | Page 204 |
|  | Lamp block        | Page 210 |
|  | Switching element | Page 213 |

Each Part Number listed below includes all the black components shown in the 3D-drawing.

To obtain a complete unit, please select the red components from the pages shown.



Actuator, Front dimension 35 mm x 35 mm

| Switching action | Front bezel colour | Front bezel material | Housing colour | Housing material | Part No.  | Wiring diagram |
|------------------|--------------------|----------------------|----------------|------------------|-----------|----------------|
| Momentary        | Black              | Plastic              | Black          | Plastic          | 704.741.0 | 72             |
|                  | Silver             | Plastic              | Black          | Plastic          | 704.741.8 | 72             |
| Maintained       | Black              | Plastic              | Black          | Plastic          | 704.742.0 | 73             |
|                  | Silver             | Plastic              | Black          | Plastic          | 704.742.8 | 73             |

## Wiring diagrams

|                   |                   |
|-------------------|-------------------|
|                   |                   |
| Wiring diagram 72 | Wiring diagram 73 |

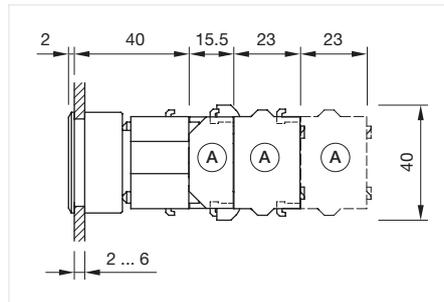
## Illuminated pushbutton round, IP65

### Equipment consisting of (schematic overview)

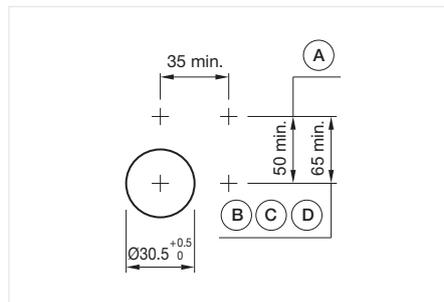
|   |                   |          |
|---|-------------------|----------|
|    | Front bezel set   | Page 202 |
|    | Lens              | Page 199 |
|    | Marking Plate     | Page 201 |
|    | Actuator          |          |
|    | Bayonet flange    | Page 203 |
|    | LED               | Page 204 |
|   | Lamp block        | Page 210 |
|  | Switching element | Page 213 |

Each Part Number listed below includes all the black components shown in the 3D-drawing.

To obtain a complete unit, please select the red components from the pages shown.



Dimensions [mm]  
A = Screw terminal



Mounting cut-outs [mm]  
A = Screw terminal  
B = Push-in terminal (PIT)  
C = Plug-in terminal 6.3 mm x 0.8 mm  
D = Double plug-in terminal 6.3 mm x 0.8 mm



Product can differ from the current configuration.

### General information

- Max. 3 switching elements can be clipped on
- The colour of anodised aluminium parts can vary due to technical production reasons



Actuator, Front dimension Ø 35 mm

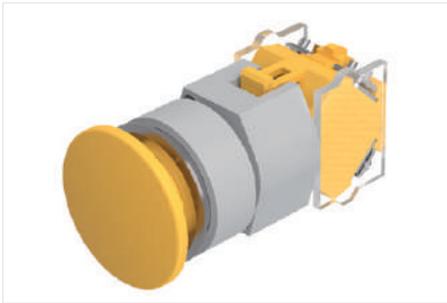
| Switching action | Housing colour | Housing material | Part No.  | Wiring diagram |
|------------------|----------------|------------------|-----------|----------------|
| Momentary        | Grey           | Plastic          | 704.631.1 | 72             |
| Maintained       | Grey           | Plastic          | 704.632.1 | 73             |

### Wiring diagrams

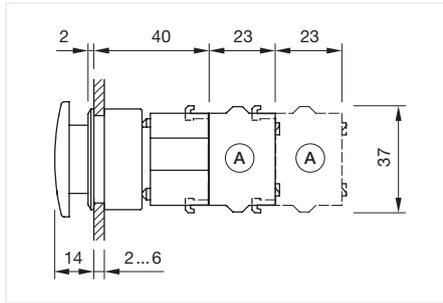
|                   |                   |
|-------------------|-------------------|
|                   |                   |
| Wiring diagram 72 | Wiring diagram 73 |

# 04 Flush design

## Mushroom-head pushbutton, IP65



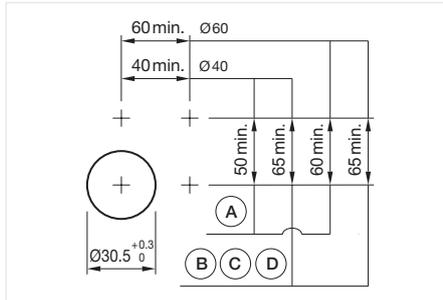
Product can differ from the current configuration.



Dimensions [mm]  
A = Screw terminal

### General information

- Max. 3 switching elements can be clipped on
- The colour of anodised aluminium parts can vary due to technical production reasons



Mounting cut-outs [mm]  
A = Screw terminal  
B = Push-in terminal (PIT)  
C = Plug-in terminal 6.3 mm x 0.8 mm  
D = Double plug-in terminal 6.3 mm x 0.8 mm

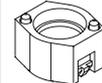
### Equipment consisting of (schematic overview)



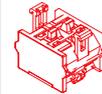
Actuator



Pressure ring



Bayonet flange



Switching element

Page 213

Each Part Number listed below includes all the black components shown in the 3D-drawing.

To obtain a complete unit, please select the red components from the pages shown.



### Actuator, Front dimension Ø 40 mm

| Switching action | Front bezel colour | Front bezel material | Front bezel surface | Lens colour | Lens material | Housing colour | Housing material | Part No.    | Wiring diagram |
|------------------|--------------------|----------------------|---------------------|-------------|---------------|----------------|------------------|-------------|----------------|
| Momentary        | Black              | Aluminium            | anodised            | Red         | Plastic       | Grey           | Plastic          | 704.071.210 | 72             |
|                  | Nature             | Aluminium            | anodised            | Red         | Plastic       | Grey           | Plastic          | 704.071.218 | 72             |
|                  | Black              | Aluminium            | anodised            | Yellow      | Plastic       | Grey           | Plastic          | 704.071.410 | 72             |
|                  | Nature             | Aluminium            | anodised            | Yellow      | Plastic       | Grey           | Plastic          | 704.071.418 | 72             |

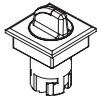
## Wiring diagrams

E---

Wiring diagram 72

## Selector switch illuminated, 2 positions, short lever, square, IP65

### Equipment consisting of (schematic overview)



Actuator



Press frame



Bayonet flange



LED

Page 204



Lamp block

Page 210

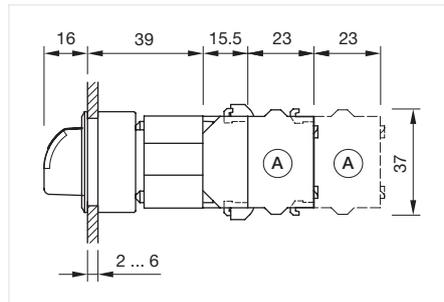


Switching element

Page 213

Each Part Number listed below includes all the black components shown in the 3D-drawing.

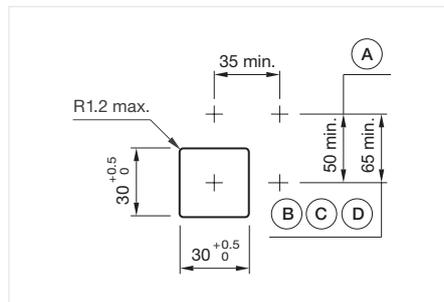
To obtain a complete unit, please select the red components from the pages shown.



Dimensions [mm]  
A = Screw terminal



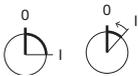
Product can differ from the current configuration.



Mounting cut-outs [mm]  
A = Screw terminal  
B = Push-in terminal (PIT)  
C = Plug-in terminal 6.3 mm x 0.8 mm  
D = Double plug-in terminal 6.3 mm x 0.8 mm

### General information

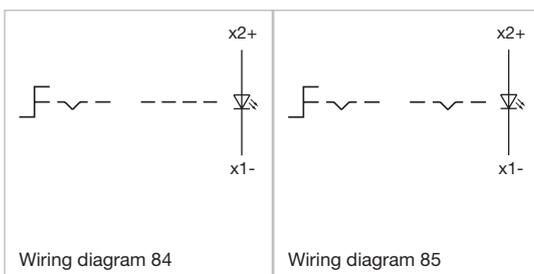
- Max. 3 switching elements can be clipped on



Actuator, Front dimension 35 mm x 35 mm

| Switching action  | Front bezel colour | Front bezel material | Switching angle | Part No.     | Wiring diagram |
|-------------------|--------------------|----------------------|-----------------|--------------|----------------|
| Rest - Maintained | Black              | Plastic              | 90° right       | 704.510.000I | 85             |
|                   | Silver             | Plastic              | 90° right       | 704.510.008I | 85             |
| Rest - Momentary  | Black              | Plastic              | 42° right       | 704.512.000I | 84             |
|                   | Silver             | Plastic              | 42° right       | 704.512.008I | 84             |

### Wiring diagrams

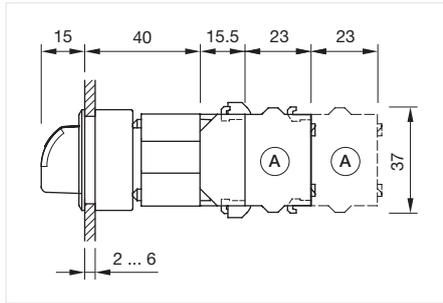


# 04 Flush design

## Selector switch illuminated 2 positions short lever, round, IP65



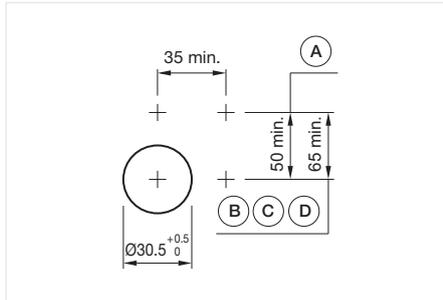
Product can differ from the current configuration.



Dimensions [mm]  
X = Screw terminal

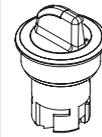
### General information

- Max. 3 switching elements can be clipped on
- The colour of anodised aluminium parts can vary due to technical production reasons



Mounting cut-outs [mm]  
A = Screw terminal  
B = Push-in terminal (PIT)  
C = Plug-in terminal 6.3 mm x 0.8 mm  
D = Double plug-in terminal 6.3 mm x 0.8 mm

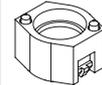
### Equipment consisting of (schematic overview)



Actuator



Pressure ring

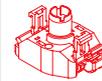


Bayonet flange



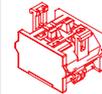
LED

Page 204



Lamp block

Page 210

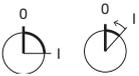


Switching element

Page 213

Each Part Number listed below includes all the black components shown in the 3D-drawing.

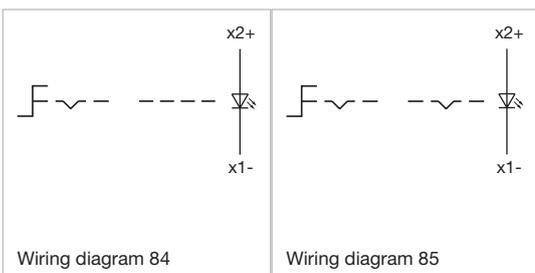
To obtain a complete unit, please select the red components from the pages shown.



Actuator, Front dimension Ø 35 mm

| Switching action  | Front bezel colour | Front bezel material | Switching angle | Front bezel surface | Part No.     | Wiring diagram |
|-------------------|--------------------|----------------------|-----------------|---------------------|--------------|----------------|
| Rest - Maintained | Black              | Aluminium            | 90° right       | anodised            | 704.411.010I | 85             |
|                   | Nature             | Aluminium            | 90° right       | anodised            | 704.411.018I | 85             |
| Rest - Momentary  | Black              | Aluminium            | 42° right       | anodised            | 704.413.010I | 84             |
|                   | Nature             | Aluminium            | 42° right       | anodised            | 704.413.018I | 84             |

### Wiring diagrams



Wiring diagram 84

Wiring diagram 85

## Selector switch 2 positions short lever, square, IP65

### Equipment consisting of (schematic overview)



Actuator



Press frame



Bayonet flange

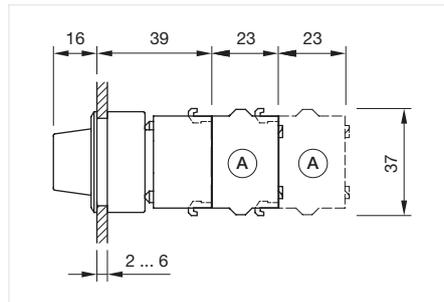


Switching element

Page 213

Each Part Number listed below includes all the black components shown in the 3D-drawing.

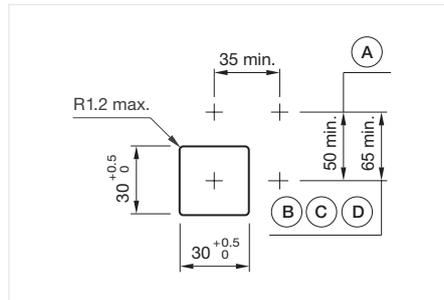
To obtain a complete unit, please select the red components from the pages shown.



Dimensions [mm]  
A = Screw terminal



Product can differ from the current configuration.



Mounting cut-outs [mm]  
A = Screw terminal  
B = Push-in terminal (PIT)  
C = Plug-in terminal 6.3 mm x 0.8 mm  
D = Double plug-in terminal 6.3 mm x 0.8 mm

### General information

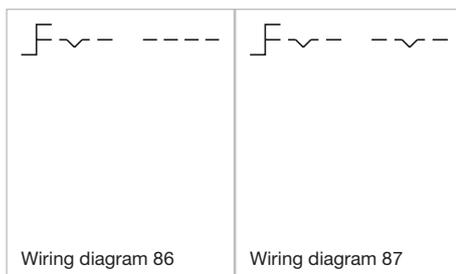
- Max. 3 switching elements can be clipped on



Actuator, Front dimension 35 mm x 35 mm

| Switching action  | Front bezel colour | Front bezel material | Switching angle | Part No.    | Wiring diagram |
|-------------------|--------------------|----------------------|-----------------|-------------|----------------|
| Rest - Maintained | Black              | Plastic              | 90° right       | 704.510.000 | 87             |
|                   | Silver             | Plastic              | 90° right       | 704.510.008 | 87             |
| Rest - Momentary  | Black              | Plastic              | 42° right       | 704.512.000 | 86             |
|                   | Silver             | Plastic              | 42° right       | 704.512.008 | 86             |

### Wiring diagrams



Wiring diagram 86

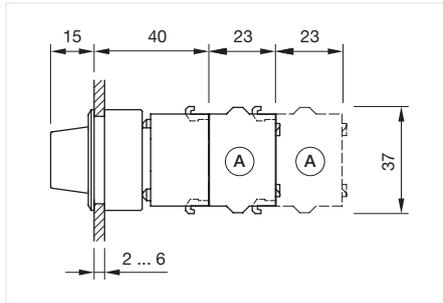
Wiring diagram 87

# 04 Flush design

## Selector switch 2 positions, short lever, round, IP65



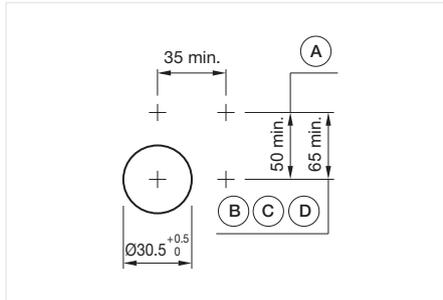
Product can differ from the current configuration.



Dimensions [mm]  
A = Screw terminal

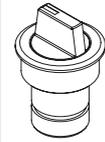
### General information

- Max. 3 switching elements can be clipped on
- The colour of anodised aluminium parts can vary due to technical production reasons



Mounting cut-outs [mm]  
A = Screw terminal  
B = Push-in terminal (PIT)  
C = Plug-in terminal 6.3 mm x 0.8 mm  
D = Double plug-in terminal 6.3 mm x 0.8 mm

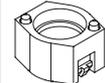
### Equipment consisting of (schematic overview)



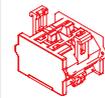
Actuator



Pressure ring



Bayonet flange

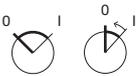


Switching element

Page 213

Each Part Number listed below includes all the black components shown in the 3D-drawing.

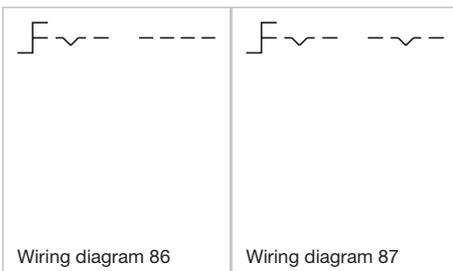
To obtain a complete unit, please select the red components from the pages shown.



Actuator, Front dimension Ø 35 mm

| Switching action  | Front bezel colour | Front bezel material | Switching angle | Front bezel surface | Part No.    | Wiring diagram |
|-------------------|--------------------|----------------------|-----------------|---------------------|-------------|----------------|
| Rest - Maintained | Black              | Aluminium            | 90° right       | anodised            | 704.411.010 | 87             |
|                   | Nature             | Aluminium            | 90° right       | anodised            | 704.411.018 | 87             |
| Rest - Momentary  | Black              | Aluminium            | 42° right       | anodised            | 704.413.010 | 86             |
|                   | Nature             | Aluminium            | 42° right       | anodised            | 704.413.018 | 86             |

### Wiring diagrams



## Selector switch 2 positions, short lever, square, IP65

### Equipment consisting of (schematic overview)



Actuator



Press frame



Bayonet flange

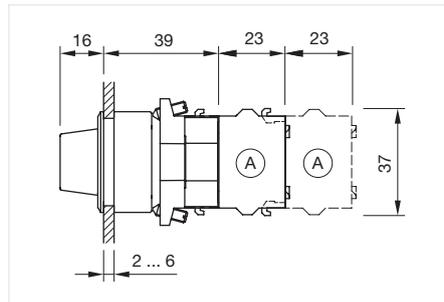


Switching element

Page 213

Each Part Number listed below includes all the black components shown in the 3D-drawing.

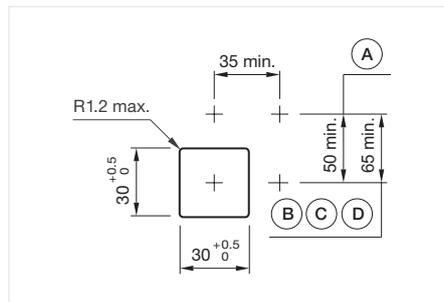
To obtain a complete unit, please select the red components from the pages shown.



Dimensions [mm]  
A = Screw terminal



Product can differ from the current configuration.



Mounting cut-outs [mm]  
A = Screw terminal  
B = Push-in terminal (PIT)  
C = Plug-in terminal 6.3 mm x 0.8 mm  
D = Double plug-in terminal 6.3 mm x 0.8 mm

### General information

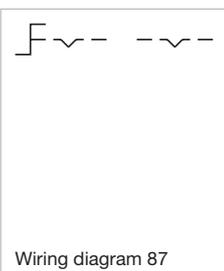
- Max. 3 switching elements can be clipped on



Actuator, Front dimension 35 mm x 35 mm

| Switching action  | Front bezel colour | Front bezel material | Switching angle | Part No.       | Wiring diagram |
|-------------------|--------------------|----------------------|-----------------|----------------|----------------|
| Rest - Maintained | Black              | Plastic              | 90° right       | 704.510.000.12 | 87             |
|                   | Silver             | Plastic              | 90° right       | 704.510.008.12 | 87             |

### Wiring diagrams

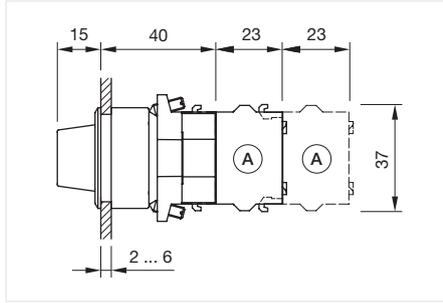


# 04 Flush design

## Selector switch 2 positions, short lever, round, IP65



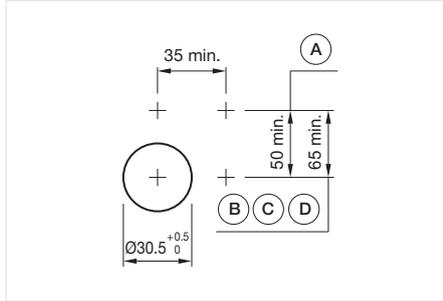
Product can differ from the current configuration.



Dimensions [mm]  
X = Screw terminal

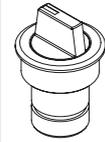
### General information

- Max. 3 switching elements can be clipped on
- The colour of anodised aluminium parts can vary due to technical production reasons



Mounting cut-outs [mm]  
A = Screw terminal  
B = Push-in terminal (PIT)  
C = Plug-in terminal 6.3 mm x 0.8 mm  
D = Double plug-in terminal 6.3 mm x 0.8 mm

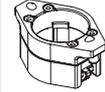
### Equipment consisting of (schematic overview)



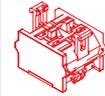
Actuator



Pressure ring



Bayonet flange



Switching element

Page 213

Each Part Number listed below includes all the black components shown in the 3D-drawing.

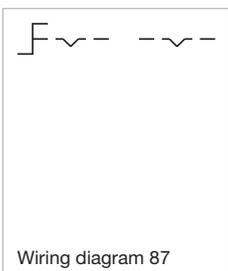
To obtain a complete unit, please select the red components from the pages shown.



Actuator, Front dimension  $\varnothing$  35 mm

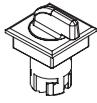
| Switching action  | Front bezel colour | Front bezel material | Switching angle | Front bezel surface | Part No.       | Wiring diagram |
|-------------------|--------------------|----------------------|-----------------|---------------------|----------------|----------------|
| Rest - Maintained | Black              | Aluminium            | 90° right       | anodised            | 704.411.010.12 | 87             |
|                   | Nature             | Aluminium            | 90° right       | anodised            | 704.411.018.12 | 87             |

### Wiring diagrams



## Selector switch illuminated, 2 positions, long lever, square, IP65

### Equipment consisting of (schematic overview)



Actuator



Press frame



Bayonet flange



LED

Page 204



Lamp block

Page 210

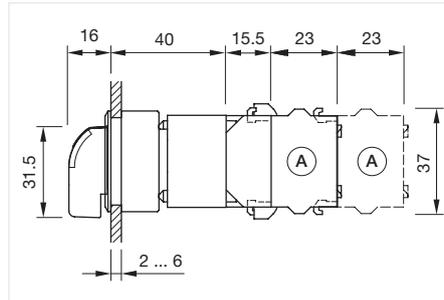


Switching element

Page 213

Each Part Number listed below includes all the black components shown in the 3D-drawing.

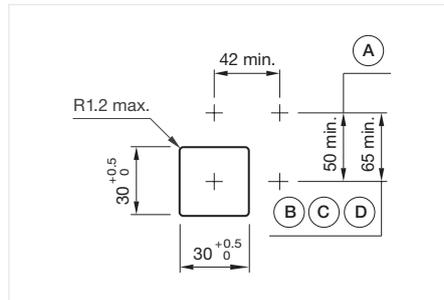
To obtain a complete unit, please select the red components from the pages shown.



Dimensions [mm]  
A = Screw terminal



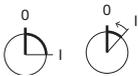
Product can differ from the current configuration.



Mounting cut-outs [mm]  
A = Screw terminal  
B = Push-in terminal (PIT)  
C = Plug-in terminal 6.3 mm x 0.8 mm  
D = Double plug-in terminal 6.3v x 0.8 mm

### General information

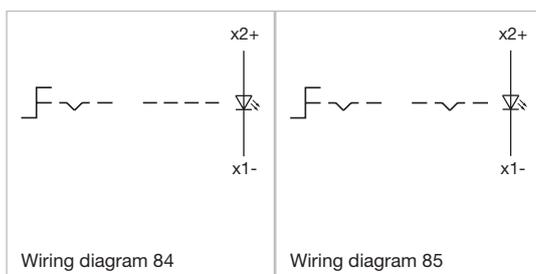
- Max. 3 switching elements can be clipped on



Actuator, Front dimension 35 mm x 35 mm

| Switching action  | Front bezel colour | Front bezel material | Switching angle | Part No.     | Wiring diagram |
|-------------------|--------------------|----------------------|-----------------|--------------|----------------|
| Rest - Maintained | Black              | Plastic              | 90° right       | 704.300.000I | 85             |
|                   | Silver             | Plastic              | 90° right       | 704.300.008I | 85             |
| Rest - Momentary  | Black              | Plastic              | 42° right       | 704.302.000I | 84             |
|                   | Silver             | Plastic              | 42° right       | 704.302.008I | 84             |

### Wiring diagrams

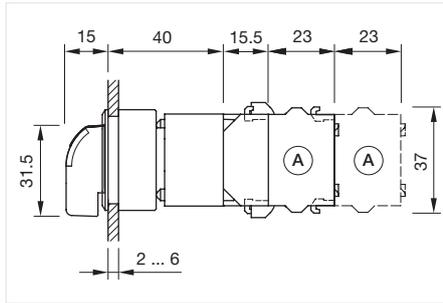


# 04 Flush design

## Selector switch illuminated, 2 positions, long lever, round, IP65



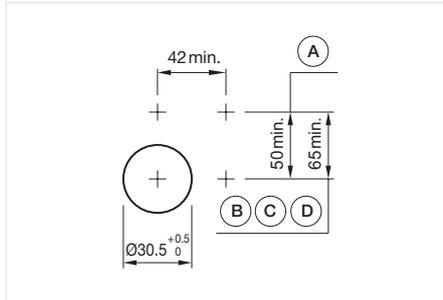
Product can differ from the current configuration.



Dimensions [mm]  
A = Screw terminal

### General information

- Max. 3 switching elements can be clipped on
- The colour of anodised aluminium parts can vary due to technical production reasons

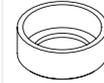


Mounting cut-outs [mm]  
A = Screw terminal  
B = Push-in terminal (PIT)  
C = Plug-in terminal 6.3 mm x 0.8 mm  
D = Double plug-in terminal 6.3 mm x 0.8 mm

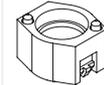
### Equipment consisting of (schematic overview)



Actuator



Pressure ring

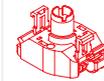


Bayonet flange



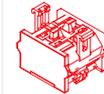
LED

Page 204



Lamp block

Page 210

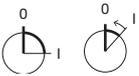


Switching element

Page 213

Each Part Number listed below includes all the black components shown in the 3D-drawing.

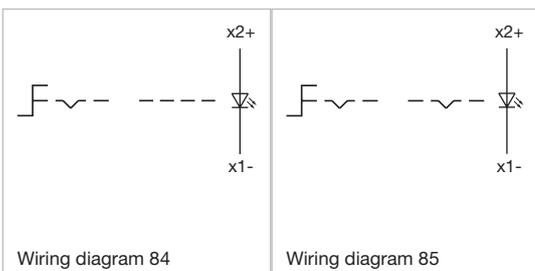
To obtain a complete unit, please select the red components from the pages shown.



Actuator, Front dimension Ø 35 mm

| Switching action  | Front bezel colour | Front bezel material | Switching angle | Front bezel surface | Part No.     | Wiring diagram |
|-------------------|--------------------|----------------------|-----------------|---------------------|--------------|----------------|
| Rest - Maintained | Black              | Aluminium            | 90° right       | anodised            | 704.101.010I | 85             |
|                   | Nature             | Aluminium            | 90° right       | anodised            | 704.101.018I | 85             |
| Rest - Momentary  | Nature             | Aluminium            | 42° right       | anodised            | 704.103.018I | 84             |

### Wiring diagrams

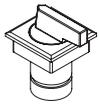


Wiring diagram 84

Wiring diagram 85

## Selector switch 2 positions, long lever, square, IP65

### Equipment consisting of (schematic overview)



Actuator



Press frame



Bayonet flange

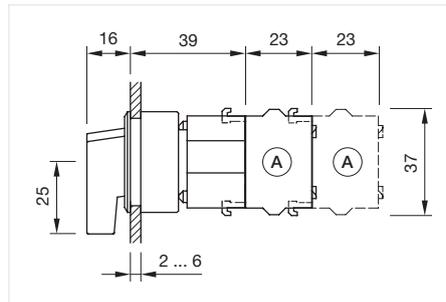


Switching element

Page 213

Each Part Number listed below includes all the black components shown in the 3D-drawing.

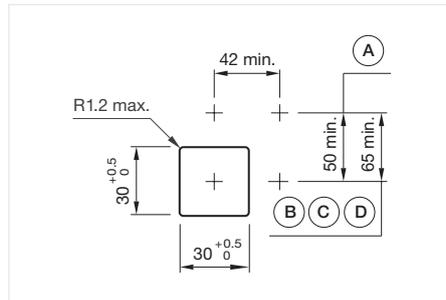
To obtain a complete unit, please select the red components from the pages shown.



Dimensions [mm]  
A = Screw terminal



Product can differ from the current configuration.



Mounting cut-outs [mm]  
A = Screw terminal  
B = Push-in terminal (PIT)  
C = Plug-in terminal 6.3 mm x 0.8 mm  
D = Double plug-in terminal 6.3v x 0.8 mm

### General information

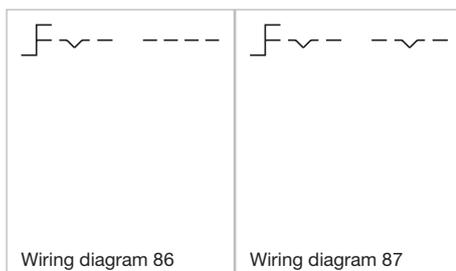
- Max. 3 switching elements can be clipped on



Actuator, Front dimension 35 mm x 35 mm

| Switching action  | Front bezel colour | Front bezel material | Switching angle | Part No.    | Wiring diagram |
|-------------------|--------------------|----------------------|-----------------|-------------|----------------|
| Rest - Maintained | Black              | Plastic              | 90° right       | 704.300.000 | 87             |
|                   | Silver             | Plastic              | 90° right       | 704.300.008 | 87             |
| Rest - Momentary  | Black              | Plastic              | 42° right       | 704.302.000 | 86             |
|                   | Silver             | Plastic              | 42° right       | 704.302.008 | 86             |

### Wiring diagrams



Wiring diagram 86

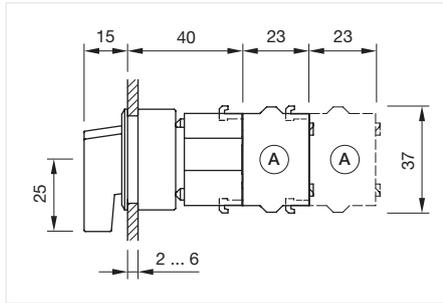
Wiring diagram 87

# 04 Flush design

## Selector switch 2 positions, long lever, round, IP65



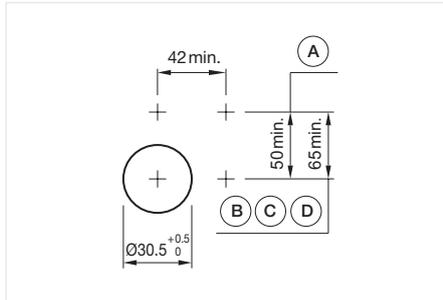
Product can differ from the current configuration.



Dimensions [mm]  
A = Screw terminal

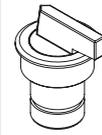
### General information

- Max. 3 switching elements can be clipped on
- The colour of anodised aluminium parts can vary due to technical production reasons



Mounting cut-outs [mm]  
A = Screw terminal  
B = Push-in terminal (PIT)  
C = Plug-in terminal 6.3 mm x 0.8 mm  
D = Double plug-in terminal 6.3 mm x 0.8 mm

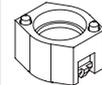
### Equipment consisting of (schematic overview)



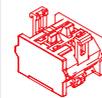
Actuator



Pressure ring



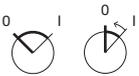
Bayonet flange



Switching element Page 213

Each Part Number listed below includes all the black components shown in the 3D-drawing.

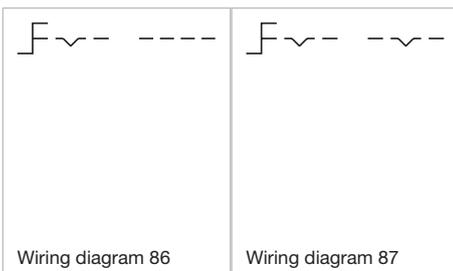
To obtain a complete unit, please select the red components from the pages shown.



Actuator, Front dimension Ø 35 mm

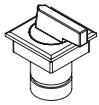
| Switching action  | Front bezel colour | Front bezel material | Switching angle | Front bezel surface | Part No.    | Wiring diagram |
|-------------------|--------------------|----------------------|-----------------|---------------------|-------------|----------------|
| Rest - Maintained | Black              | Aluminium            | 90° right       | anodised            | 704.101.010 | 87             |
|                   | Nature             | Aluminium            | 90° right       | anodised            | 704.101.018 | 87             |
| Rest - Momentary  | Nature             | Aluminium            | 42° right       | anodised            | 704.103.018 | 86             |

### Wiring diagrams



## Selector switch 2 positions, 12 o'clock, long lever, square, IP65

### Equipment consisting of (schematic overview)



Actuator



Press frame



Bayonet flange

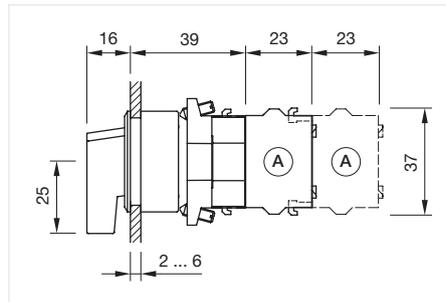


Switching element

Page 213

Each Part Number listed below includes all the black components shown in the 3D-drawing.

To obtain a complete unit, please select the red components from the pages shown.



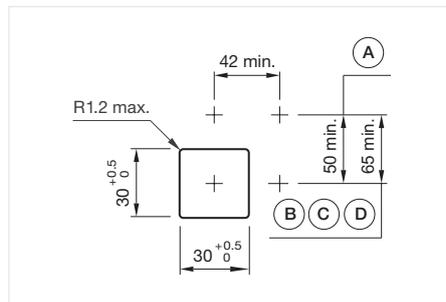
Dimensions [mm]  
A = Screw terminal



Product can differ from the current configuration.

### General information

- Max. 3 switching elements can be clipped on



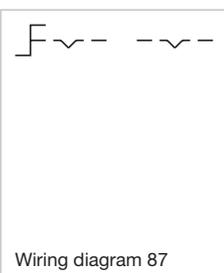
Mounting cut-outs [mm]  
A = Screw terminal  
B = Push-in terminal (PIT)  
C = Plug-in terminal 6.3 mm x 0.8 mm  
D = Double plug-in terminal 6.3v x 0.8 mm



Actuator, Front dimension 35 mm x 35 mm

| Switching action  | Front bezel colour | Front bezel material | Switching angle | Part No.       | Wiring diagram |
|-------------------|--------------------|----------------------|-----------------|----------------|----------------|
| Rest - Maintained | Black              | Plastic              | 90° right       | 704.300.000.12 | 87             |
|                   | Silver             | Plastic              | 90° right       | 704.300.008.12 | 87             |

### Wiring diagrams

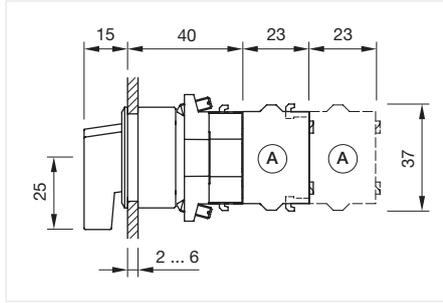


# 04 Flush design

## Selector switch 2 positions, long lever, round, IP65



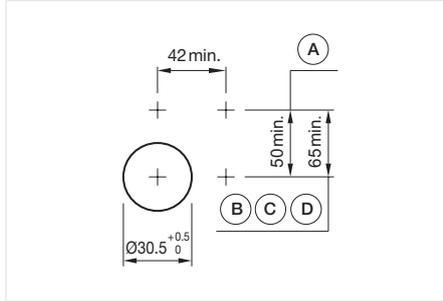
Product can differ from the current configuration.



Dimensions [mm]  
A = Screw terminal

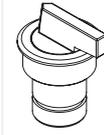
### General information

- Max. 3 switching elements can be clipped on
- The colour of anodised aluminium parts can vary due to technical production reasons



Mounting cut-outs [mm]  
A = Screw terminal  
B = Push-in terminal (PIT)  
C = Plug-in terminal 6.3 mm x 0.8 mm  
D = Double plug-in terminal 6.3 mm x 0.8 mm

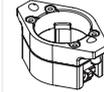
### Equipment consisting of (schematic overview)



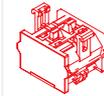
Actuator



Pressure ring



Bayonet flange



Switching element

Page 213

Each Part Number listed below includes all the black components shown in the 3D-drawing.

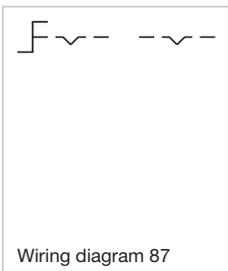
To obtain a complete unit, please select the red components from the pages shown.



Actuator, Front dimension Ø 35 mm

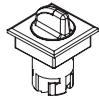
| Switching action  | Front bezel colour | Front bezel material | Switching angle | Front bezel surface | Part No.       | Wiring diagram |
|-------------------|--------------------|----------------------|-----------------|---------------------|----------------|----------------|
| Rest - Maintained | Black              | Aluminium            | 90° right       | anodised            | 704.101.010.12 | 87             |
|                   | Nature             | Aluminium            | 90° right       | anodised            | 704.101.018.12 | 87             |

### Wiring diagrams



## Selector switch illuminated, 3 positions, short lever, square, IP65

### Equipment consisting of (schematic overview)



Actuator



Press frame



Bayonet flange



LED

Page 204



Lamp block

Page 210

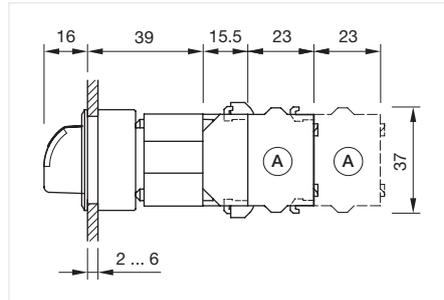


Switching element

Page 213

Each Part Number listed below includes all the black components shown in the 3D-drawing.

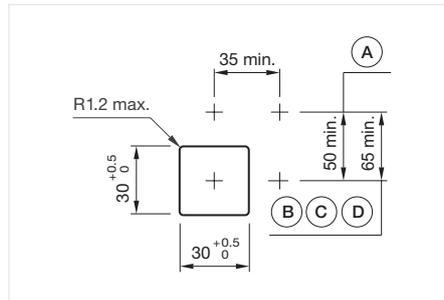
To obtain a complete unit, please select the red components from the pages shown.



Dimensions [mm]  
A = Screw terminal



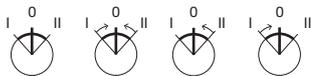
Product can differ from the current configuration.



Mounting cut-outs [mm]  
A = Screw terminal  
B = Push-in terminal (PIT)  
C = Plug-in terminal 6.3 mm x 0.8 mm  
D = Double plug-in terminal 6.3 mm x 0.8 mm

### General information

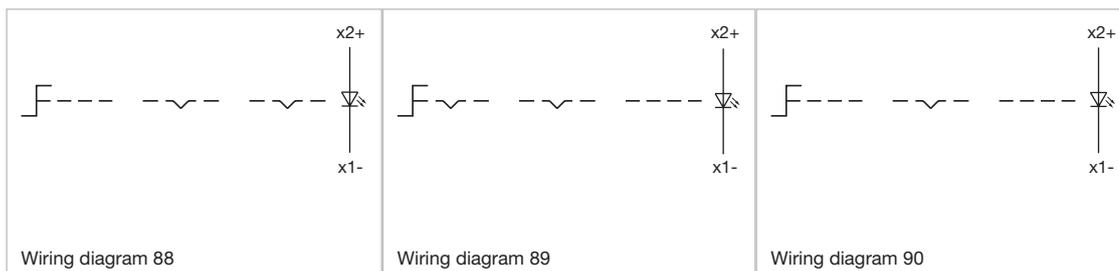
- Max. 3 switching elements can be clipped on



Actuator, Front dimension 35 mm x 35 mm

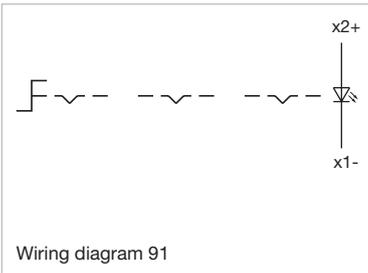
| Switching action               | Front bezel colour | Front bezel material | Switching angle      | Part No.     | Wiring diagram |
|--------------------------------|--------------------|----------------------|----------------------|--------------|----------------|
| Maintained - Rest - Maintained | Black              | Plastic              | 42° left / 42° right | 704.502.000I | 91             |
|                                | Silver             | Plastic              | 42° left / 42° right | 704.502.008I | 91             |
| Momentary - Rest - Momentary   | Black              | Plastic              | 42° left / 42° right | 704.504.000I | 90             |
|                                | Silver             | Plastic              | 42° left / 42° right | 704.504.008I | 90             |
| Maintained - Rest - Momentary  | Black              | Plastic              | 42° left / 42° right | 704.506.000I | 89             |
|                                | Silver             | Plastic              | 42° left / 42° right | 704.506.008I | 89             |
| Momentary - Rest - Maintained  | Black              | Plastic              | 42° left / 42° right | 704.508.000I | 88             |
|                                | Silver             | Plastic              | 42° left / 42° right | 704.508.008I | 88             |

### Wiring diagrams



# 04 Flush design

## Wiring diagrams



Follow us.  
We are on LinkedIn!  
*EAO creates possibilities. Since 1947.*



**[Come take a look at our LinkedIn profile today!](https://www.linkedin.com/company/eao/)** *Be sure to give us a follow so that you can fully interact with us.*

<https://www.linkedin.com/company/eao/>

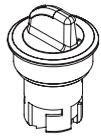
[www.eao.com](http://www.eao.com)

**eao** ■

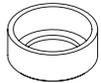
Your Expert Partner for Human Machine Interfaces

## Selector switch illuminated, 3 positions, short lever, round, IP65

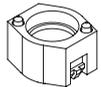
### Equipment consisting of (schematic overview)



Actuator



Pressure ring

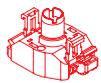


Bayonet flange



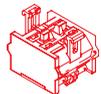
LED

Page 204



Lamp block

Page 210

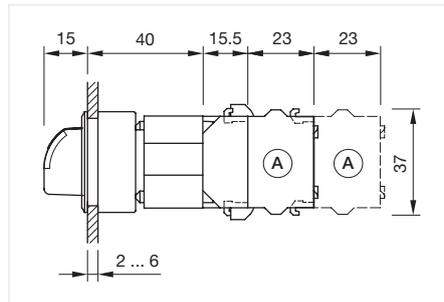


Switching element

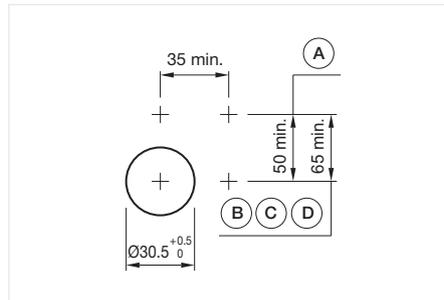
Page 213

Each Part Number listed below includes all the black components shown in the 3D-drawing.

To obtain a complete unit, please select the red components from the pages shown.



Dimensions [mm]  
X = Screw terminal



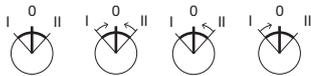
Mounting cut-outs [mm]  
A = Screw terminal  
B = Push-in terminal (PIT)  
C = Plug-in terminal 6.3 mm x 0.8 mm  
D = Double plug-in terminal 6.3 mm x 0.8 mm



Product can differ from the current configuration.

### General information

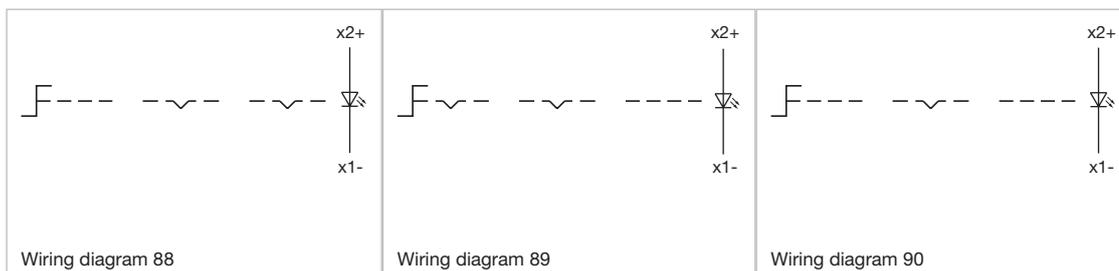
- Max. 3 switching elements can be clipped on
- The colour of anodised aluminium parts can vary due to technical production reasons



Actuator, Front dimension Ø 35 mm

| Switching action               | Front bezel colour | Front bezel material | Switching angle      | Front bezel surface | Part No.     | Wiring diagram |
|--------------------------------|--------------------|----------------------|----------------------|---------------------|--------------|----------------|
| Maintained - Rest - Maintained | Black              | Aluminium            | 42° left / 42° right | anodised            | 704.403.010I | 91             |
|                                | Nature             | Aluminium            | 42° left / 42° right | anodised            | 704.403.018I | 91             |
| Momentary - Rest - Momentary   | Black              | Aluminium            | 42° left / 42° right | anodised            | 704.405.010I | 90             |
|                                | Nature             | Aluminium            | 42° left / 42° right | anodised            | 704.405.018I | 90             |
| Maintained - Rest - Momentary  | Black              | Aluminium            | 42° left / 42° right | anodised            | 704.407.010I | 89             |
|                                | Nature             | Aluminium            | 42° left / 42° right | anodised            | 704.407.018I | 89             |
| Momentary - Rest - Maintained  | Black              | Aluminium            | 42° left / 42° right | anodised            | 704.409.010I | 88             |
|                                | Nature             | Aluminium            | 42° left / 42° right | anodised            | 704.409.018I | 88             |

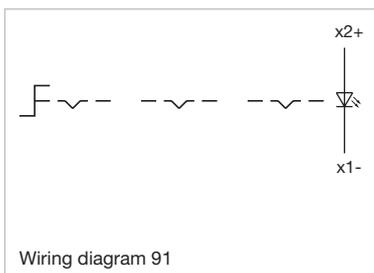
### Wiring diagrams



# 04 Flush design

- 01
- 02
- 03
- 04**
- 09
- 14
- 17
- 18
- 19
- 22
- 31
- 41
- 45
- 51
- 56
- 57
- 61
- 70
- 71
- 82
- 84
- 92
- 96

## Wiring diagrams



## Selector switch 3 positions, short lever, square, IP65

### Equipment consisting of (schematic overview)



Actuator



Press frame



Bayonet flange

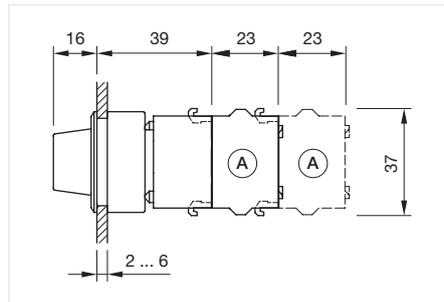


Switching element

Page 213

Each Part Number listed below includes all the black components shown in the 3D-drawing.

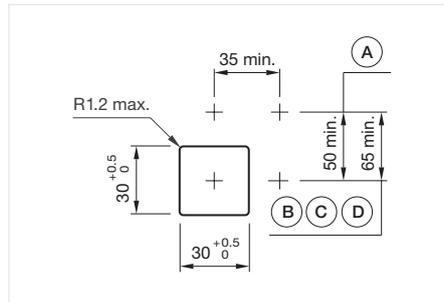
To obtain a complete unit, please select the red components from the pages shown.



Dimensions [mm]  
A = Screw terminal



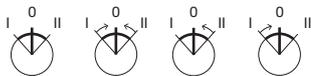
Product can differ from the current configuration.



Mounting cut-outs [mm]  
A = Screw terminal  
B = Push-in terminal (PIT)  
C = Plug-in terminal 6.3 mm x 0.8 mm  
D = Double plug-in terminal 6.3 mm x 0.8 mm

### General information

- Max. 3 switching elements can be clipped on



Actuator, Front dimension 35 mm x 35 mm

| Switching action               | Front bezel colour | Front bezel material | Switching angle      | Part No.    | Wiring diagram |
|--------------------------------|--------------------|----------------------|----------------------|-------------|----------------|
| Maintained - Rest - Maintained | Black              | Plastic              | 42° left / 42° right | 704.502.000 | 95             |
|                                | Silver             | Plastic              | 42° left / 42° right | 704.502.008 | 95             |
| Momentary - Rest - Momentary   | Black              | Plastic              | 42° left / 42° right | 704.504.000 | 94             |
|                                | Silver             | Plastic              | 42° left / 42° right | 704.504.008 | 94             |
| Maintained - Rest - Momentary  | Black              | Plastic              | 42° left / 42° right | 704.506.000 | 93             |
|                                | Silver             | Plastic              | 42° left / 42° right | 704.506.008 | 93             |
| Momentary - Rest - Maintained  | Black              | Plastic              | 42° left / 42° right | 704.508.000 | 92             |
|                                | Silver             | Plastic              | 42° left / 42° right | 704.508.008 | 92             |

### Wiring diagrams

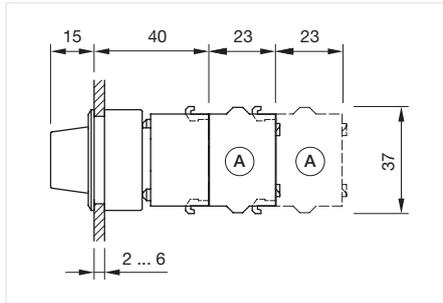
|                          |                          |                          |                          |
|--------------------------|--------------------------|--------------------------|--------------------------|
| <p>Wiring diagram 92</p> | <p>Wiring diagram 93</p> | <p>Wiring diagram 94</p> | <p>Wiring diagram 95</p> |
|--------------------------|--------------------------|--------------------------|--------------------------|

# 04 Flush design

## Selector switch 3 positions, short lever, round, IP65



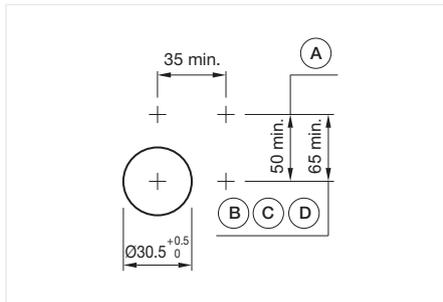
Product can differ from the current configuration.



Dimensions [mm]  
A = Screw terminal

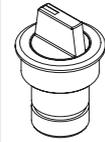
### General information

- Max. 3 switching elements can be clipped on
- The colour of anodised aluminium parts can vary due to technical production reasons

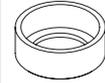


Mounting cut-outs [mm]  
A = Screw terminal  
B = Push-in terminal (PIT)  
C = Plug-in terminal 6.3 mm x 0.8 mm  
D = Double plug-in terminal 6.3 mm x 0.8 mm

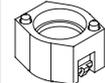
### Equipment consisting of (schematic overview)



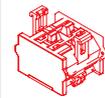
Actuator



Pressure ring



Bayonet flange

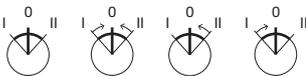


Switching element

Page 213

Each Part Number listed below includes all the black components shown in the 3D-drawing.

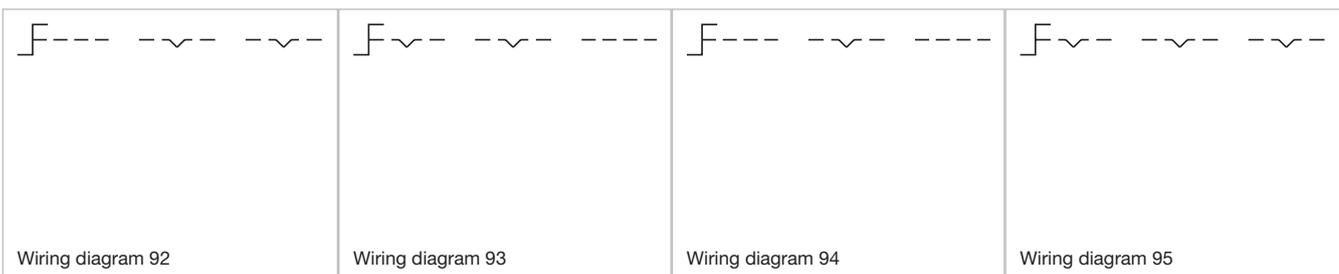
To obtain a complete unit, please select the red components from the pages shown.



Actuator, Front dimension Ø 35 mm

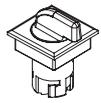
| Switching action               | Front bezel colour | Front bezel material | Switching angle      | Front bezel surface | Part No.    | Wiring diagram |
|--------------------------------|--------------------|----------------------|----------------------|---------------------|-------------|----------------|
| Maintained - Rest - Maintained | Black              | Aluminium            | 42° left / 42° right | anodised            | 704.403.010 | 95             |
|                                | Nature             | Aluminium            | 42° left / 42° right | anodised            | 704.403.018 | 95             |
| Momentary - Rest - Momentary   | Black              | Aluminium            | 42° left / 42° right | anodised            | 704.405.010 | 94             |
|                                | Nature             | Aluminium            | 42° left / 42° right | anodised            | 704.405.018 | 94             |
| Maintained - Rest - Momentary  | Black              | Aluminium            | 42° left / 42° right | anodised            | 704.407.010 | 93             |
|                                | Nature             | Aluminium            | 42° left / 42° right | anodised            | 704.407.018 | 93             |
| Momentary - Rest - Maintained  | Black              | Aluminium            | 42° left / 42° right | anodised            | 704.409.010 | 92             |
|                                | Nature             | Aluminium            | 42° left / 42° right | anodised            | 704.409.018 | 92             |

### Wiring diagrams



## Selector switch illuminated, 3 positions, long lever, square, IP65

### Equipment consisting of (schematic overview)



Actuator



Press frame

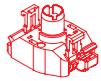


Bayonet flange



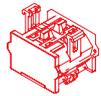
LED

Page 204



Lamp block

Page 210

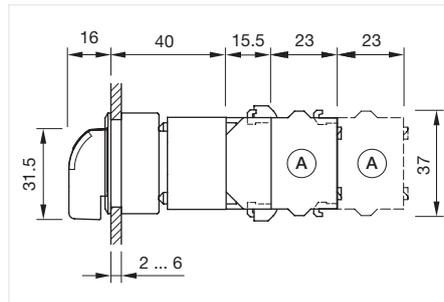


Switching element

Page 213

Each Part Number listed below includes all the black components shown in the 3D-drawing.

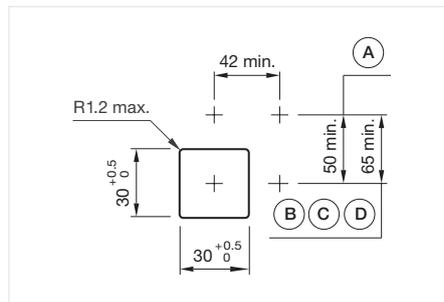
To obtain a complete unit, please select the red components from the pages shown.



Dimensions [mm]  
A = Screw terminal



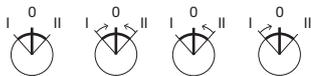
Product can differ from the current configuration.



Mounting cut-outs [mm]  
A = Screw terminal  
B = Push-in terminal (PIT)  
C = Plug-in terminal 6.3 mm x 0.8 mm  
D = Double plug-in terminal 6.3v x 0.8 mm

### General information

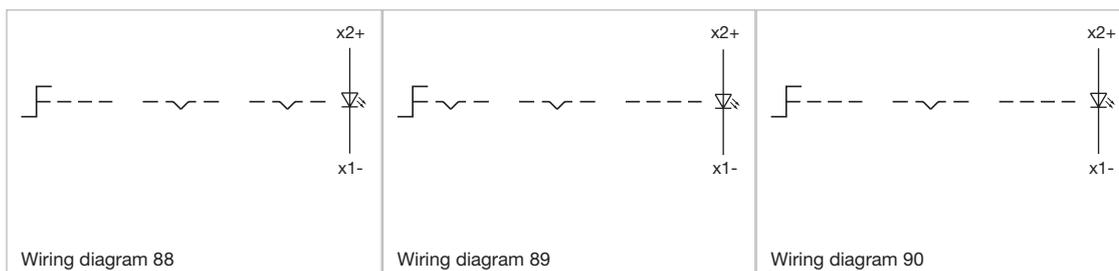
- Max. 3 switching elements can be clipped on



Actuator, Front dimension 35 mm x 35 mm

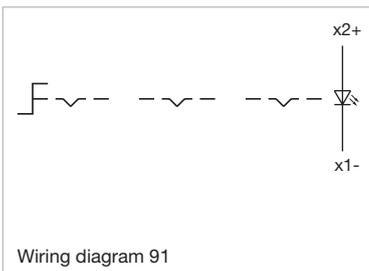
| Switching action               | Front bezel colour | Front bezel material | Switching angle      | Part No.     | Wiring diagram |
|--------------------------------|--------------------|----------------------|----------------------|--------------|----------------|
| Maintained - Rest - Maintained | Black              | Plastic              | 42° left / 42° right | 704.292.000I | 91             |
|                                | Silver             | Plastic              | 42° left / 42° right | 704.292.008I | 91             |
| Momentary - Rest - Momentary   | Black              | Plastic              | 42° left / 42° right | 704.294.000I | 90             |
|                                | Silver             | Plastic              | 42° left / 42° right | 704.294.008I | 90             |
| Maintained - Rest - Momentary  | Black              | Plastic              | 42° left / 42° right | 704.296.000I | 89             |
|                                | Silver             | Plastic              | 42° left / 42° right | 704.296.008I | 89             |
| Momentary - Rest - Maintained  | Black              | Plastic              | 42° left / 42° right | 704.298.000I | 88             |
|                                | Silver             | Plastic              | 42° left / 42° right | 704.298.008I | 88             |

### Wiring diagrams



# 04 Flush design

## Wiring diagrams



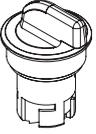
Modern. Tactile and long-lasting.  
*Series 04 illuminated selector switches.*

Intuitive and reliable operation for enhanced safety in public transportation.

- Bright, single or bi-colour LED illumination
- Modern, ergonomic design
- Rounded edges (in accordance with DIN 5566-1)
- Excellent tactile feedback
- Long service life and robust construction
- Wide range of possible combinations and options

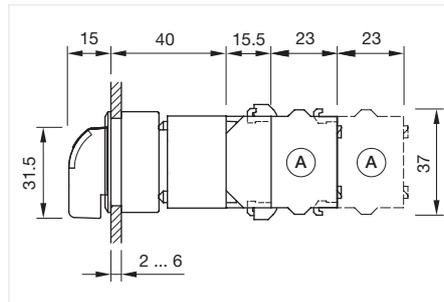
## Selector switch illuminated, 3 positions long lever, round, IP65

### Equipment consisting of (schematic overview)

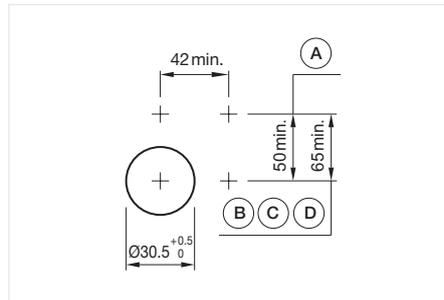
-  Actuator
-  Pressure ring
-  Bayonet flange
-  LED Page 204
-  Lamp block Page 210
-  Switching element Page 213

Each Part Number listed below includes all the black components shown in the 3D-drawing.

To obtain a complete unit, please select the red components from the pages shown.



Dimensions [mm]  
A = Screw terminal



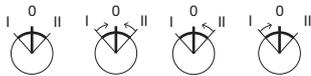
Mounting cut-outs [mm]  
A = Screw terminal  
B = Push-in terminal (PIT)  
C = Plug-in terminal 6.3 mm x 0.8 mm  
D = Double plug-in terminal 6.3 mm x 0.8 mm



Product can differ from the current configuration.

### General information

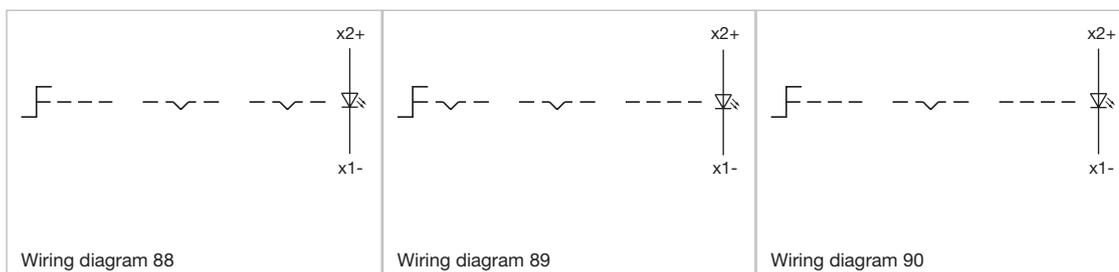
- Max. 3 switching elements can be clipped on
- The colour of anodised aluminium parts can vary due to technical production reasons



Actuator, Front dimension Ø 35 mm

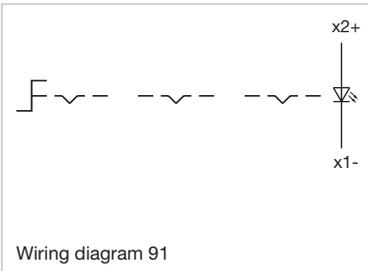
| Switching action               | Front bezel colour | Front bezel material | Switching angle      | Front bezel surface | Part No.     | Wiring diagram |
|--------------------------------|--------------------|----------------------|----------------------|---------------------|--------------|----------------|
| Maintained - Rest - Maintained | Black              | Aluminium            | 42° left / 42° right | anodised            | 704.093.010I | 91             |
|                                | Nature             | Aluminium            | 42° left / 42° right | anodised            | 704.093.018I | 91             |
| Momentary - Rest - Momentary   | Black              | Aluminium            | 42° left / 42° right | anodised            | 704.095.010I | 90             |
|                                | Nature             | Aluminium            | 42° left / 42° right | anodised            | 704.095.018I | 90             |
| Maintained - Rest - Momentary  | Black              | Aluminium            | 42° left / 42° right | anodised            | 704.097.010I | 89             |
|                                | Nature             | Aluminium            | 42° left / 42° right | anodised            | 704.097.018I | 89             |
| Momentary - Rest - Maintained  | Black              | Aluminium            | 42° left / 42° right | anodised            | 704.099.010I | 88             |
|                                | Nature             | Aluminium            | 42° left / 42° right | anodised            | 704.099.018I | 88             |

### Wiring diagrams



# 04 Flush design

## Wiring diagrams



Individual.  
According to customer requirements.  
*EAO creates possibilities. Since 1947.*



With our value-added services, we individually modify our standard components in accordance with our customers' needs – quickly and cost-effectively.

- Customer-specific marking
- Individual illumination
- Customized software
- Customized cables and connectors
- Mechanical and electronic adaptations
- Manufacturing of mounting sets

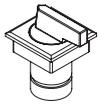
[www.eao.com](http://www.eao.com)

**eao** ■

Your Expert Partner for Human Machine Interfaces

## Selector switch 3 positions, long lever, square, IP65

### Equipment consisting of (schematic overview)



Actuator



Press frame



Bayonet flange

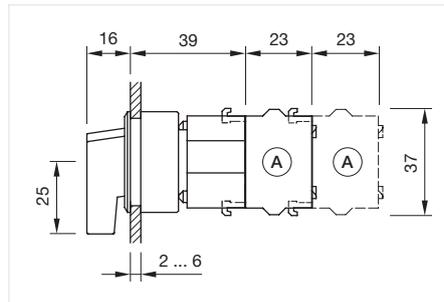


Switching element

Page 213

Each Part Number listed below includes all the black components shown in the 3D-drawing.

To obtain a complete unit, please select the red components from the pages shown.



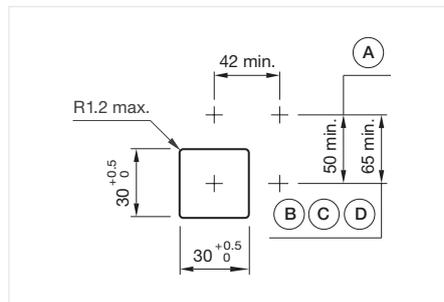
Dimensions [mm]  
A = Screw terminal



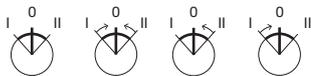
Product can differ from the current configuration.

### General information

- Max. 3 switching elements can be clipped on



Mounting cut-outs [mm]  
A = Screw terminal  
B = Push-in terminal (PIT)  
C = Plug-in terminal 6.3 mm x 0.8 mm  
D = Double plug-in terminal 6.3v x 0.8 mm



Actuator, Front dimension 35 mm x 35 mm

| Switching action               | Front bezel colour | Front bezel material | Switching angle      | Part No.    | Wiring diagram |
|--------------------------------|--------------------|----------------------|----------------------|-------------|----------------|
| Maintained - Rest - Maintained | Black              | Plastic              | 42° left / 42° right | 704.292.000 | 95             |
|                                | Silver             | Plastic              | 42° left / 42° right | 704.292.008 | 95             |
| Momentary - Rest - Momentary   | Black              | Plastic              | 42° left / 42° right | 704.294.000 | 94             |
|                                | Silver             | Plastic              | 42° left / 42° right | 704.294.008 | 94             |
| Maintained - Rest - Momentary  | Black              | Plastic              | 42° left / 42° right | 704.296.000 | 93             |
|                                | Silver             | Plastic              | 42° left / 42° right | 704.296.008 | 93             |
| Momentary - Rest - Maintained  | Black              | Plastic              | 42° left / 42° right | 704.298.000 | 92             |
|                                | Silver             | Plastic              | 42° left / 42° right | 704.298.008 | 92             |

### Wiring diagrams

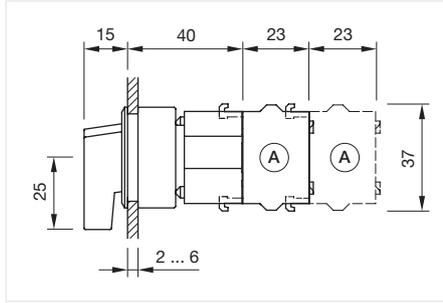
|                   |                   |                   |                   |
|-------------------|-------------------|-------------------|-------------------|
|                   |                   |                   |                   |
| Wiring diagram 92 | Wiring diagram 93 | Wiring diagram 94 | Wiring diagram 95 |

# 04 Flush design

## Selector switch 3 positions, long lever, round, IP65



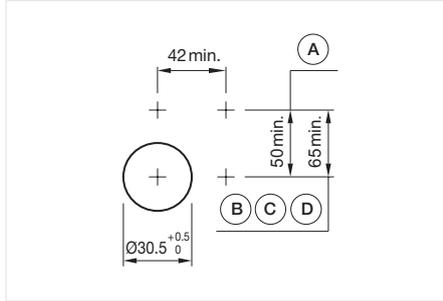
Product can differ from the current configuration.



Dimensions [mm]  
A = Screw terminal

### General information

- Max. 3 switching elements can be clipped on
- The colour of anodised aluminium parts can vary due to technical production reasons



Mounting cut-outs [mm]  
A = Screw terminal  
B = Push-in terminal (PIT)  
C = Plug-in terminal 6.3 mm x 0.8 mm  
D = Double plug-in terminal 6.3 mm x 0.8 mm

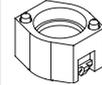
### Equipment consisting of (schematic overview)



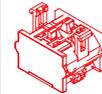
Actuator



Pressure ring



Bayonet flange

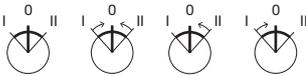


Switching element

Page 213

Each Part Number listed below includes all the black components shown in the 3D-drawing.

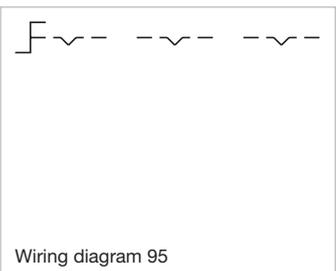
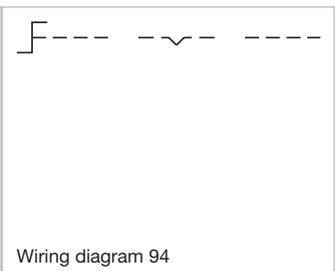
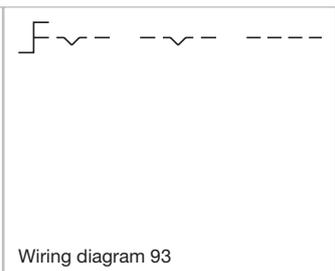
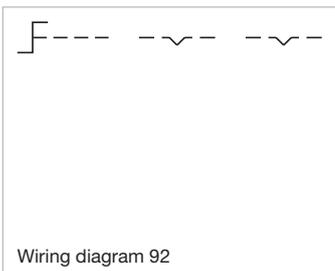
To obtain a complete unit, please select the red components from the pages shown.



Actuator, Front dimension Ø 35 mm

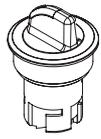
| Switching action               | Front bezel colour | Front bezel material | Switching angle      | Front bezel surface | Part No.    | Wiring diagram |
|--------------------------------|--------------------|----------------------|----------------------|---------------------|-------------|----------------|
| Maintained - Rest - Maintained | Black              | Aluminium            | 42° left / 42° right | anodised            | 704.093.010 | 95             |
|                                | Nature             | Aluminium            | 42° left / 42° right | anodised            | 704.093.018 | 95             |
| Momentary - Rest - Momentary   | Black              | Aluminium            | 42° left / 42° right | anodised            | 704.095.010 | 94             |
|                                | Nature             | Aluminium            | 42° left / 42° right | anodised            | 704.095.018 | 94             |
| Maintained - Rest - Momentary  | Black              | Aluminium            | 42° left / 42° right | anodised            | 704.097.010 | 93             |
|                                | Nature             | Aluminium            | 42° left / 42° right | anodised            | 704.097.018 | 93             |
| Momentary - Rest - Maintained  | Black              | Aluminium            | 42° left / 42° right | anodised            | 704.099.010 | 92             |
|                                | Nature             | Aluminium            | 42° left / 42° right | anodised            | 704.099.018 | 92             |

### Wiring diagrams



## Selector rotary switch, short lever rounded, round, IP65

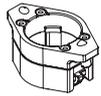
### Equipment consisting of (schematic overview)



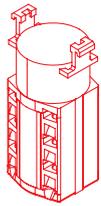
Actuator



Pressure ring



Bayonet flange

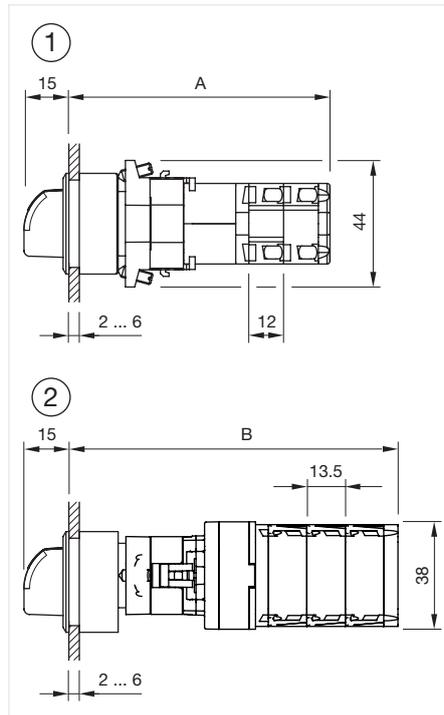


Switching element

Page 227

Each Part Number listed below includes all the black components shown in the 3D-drawing.

To obtain a complete unit, please select the red components from the pages shown.



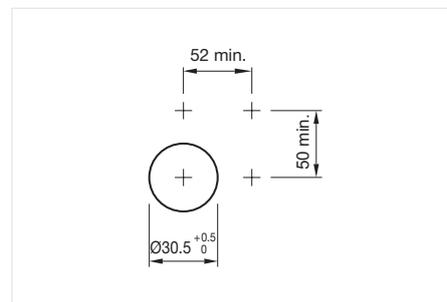
#### Dimensions [mm]

1 = Kraus & Naimer switching element

A = (Number of stages x 12) + 66.5 mm

2 = Santon switching element

B = (Number of stages x 13,5) + 66.5 mm



Mounting cut-outs [mm]



Product can differ from the current configuration.

#### General information

- The colour of anodised aluminium parts can vary due to technical production reasons



Actuator, Front dimension  $\varnothing 35$  mm

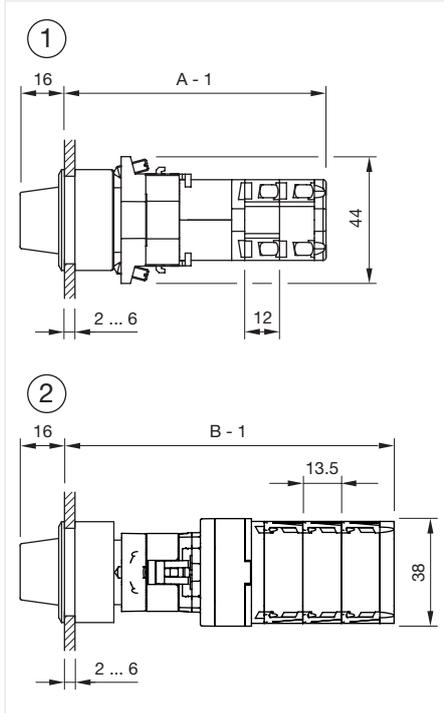
| Front bezel colour | Front bezel material | Switching positions | Front bezel surface | Part No.       |
|--------------------|----------------------|---------------------|---------------------|----------------|
| Black              | Aluminium            | Rest = 12 o'clock   | anodised            | 704.411.010KNI |
| Nature             | Aluminium            | Rest = 12 o'clock   | anodised            | 704.411.018KNI |
|                    | Aluminium            | Rest = 9 o'clock    | anodised            | 704.411.118KNI |

# 04 Flush design

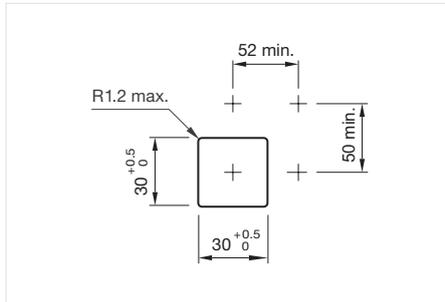
## Selector rotary switch, short lever, square, IP65



Product can differ from the current configuration.

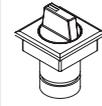


Dimensions [mm]  
 1 = Kraus & Naimer switching element  
 $A = (\text{Number of stages} \times 12) + 66.5 \text{ mm}$   
 2 = Santon switching element  
 $B = (\text{Number of stages} \times 13,5) + 65.5 \text{ mm}$

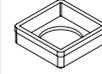


Mounting cut-outs [mm]

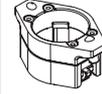
### Equipment consisting of (schematic overview)



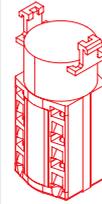
Actuator



Press frame



Bayonet flange



Switching element

Page 227

Each Part Number listed below includes all the black components shown in the 3D-drawing.

To obtain a complete unit, please select the red components from the pages shown.

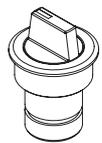


Actuator, Front dimension 35 mm x 35 mm

| Front bezel colour | Front bezel material | Switching positions | Part No.      |
|--------------------|----------------------|---------------------|---------------|
| Black              | Plastic              | Rest = 9 o'clock    | 704.510.100KN |
| Silver             | Plastic              | Rest = 9 o'clock    | 704.510.108KN |

## Selector rotary switch short lever, round, IP65

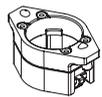
### Equipment consisting of (schematic overview)



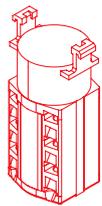
Actuator



Pressure ring



Bayonet flange

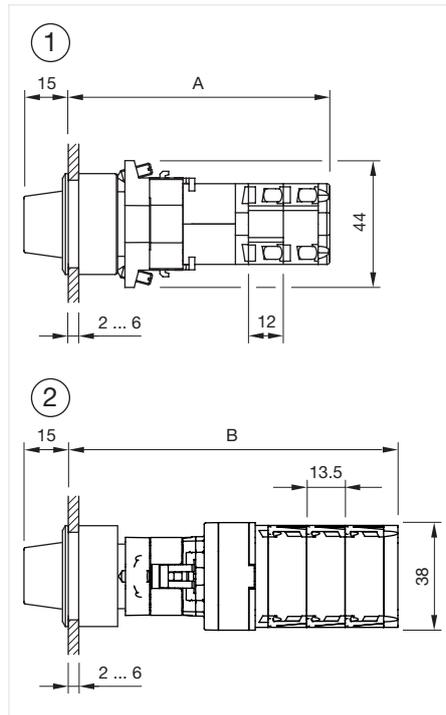


Switching element

Page 227

Each Part Number listed below includes all the black components shown in the 3D-drawing.

To obtain a complete unit, please select the red components from the pages shown.



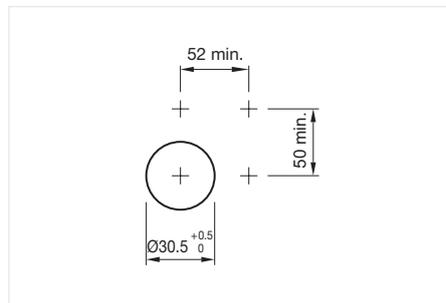
#### Dimensions [mm]

1 = Kraus & Naimer switching element

A = (Number of stages x 12) + 66.5 mm

2 = Santon switching element

B = (Number of stages x 13,5) + 66.5 mm



Mounting cut-outs [mm]



Product can differ from the current configuration.

#### General information

- The colour of anodised aluminium parts can vary due to technical production reasons



Actuator, Front dimension Ø 35 mm

| Front bezel colour | Front bezel material | Switching positions | Front bezel surface | Part No.      |
|--------------------|----------------------|---------------------|---------------------|---------------|
| Black              | Aluminium            | Rest = 12 o'clock   | anodised            | 704.411.010KN |
| Nature             | Aluminium            | Rest = 12 o'clock   | anodised            | 704.411.018KN |
| Black              | Aluminium            | Rest = 9 o'clock    | anodised            | 704.411.110KN |
| Nature             | Aluminium            | Rest = 9 o'clock    | anodised            | 704.411.118KN |

# 04 Flush design

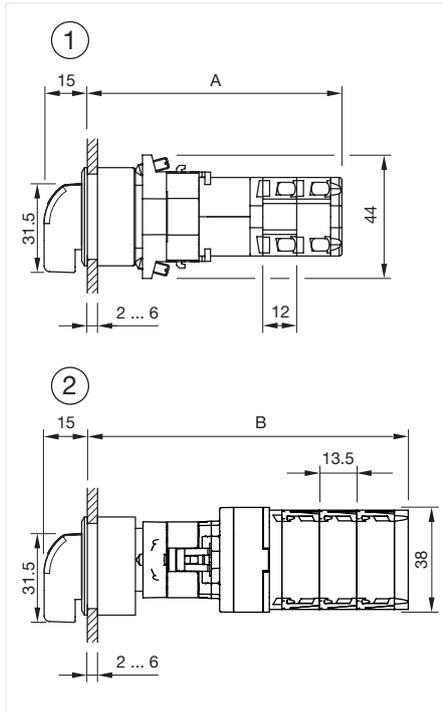
## Selector rotary switch, long lever rounded, round, IP65



Product can differ from the current configuration.

### General information

- The colour of anodised aluminium parts can vary due to technical production reasons



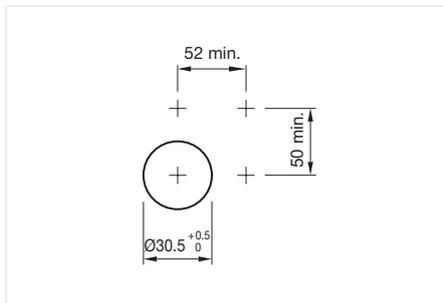
Dimensions [mm]

1 = Kraus & Naimer switching element

A = (Number of stages x 12) + 66.5 mm

2 = Santon switching element

B = (Number of stages x 13,5) + 65.5 mm



Mounting cut-outs [mm]

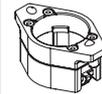
### Equipment consisting of (schematic overview)



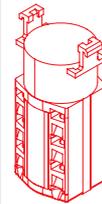
Actuator



Pressure ring



Bayonet flange



Switching element

Page 227

Each Part Number listed below includes all the black components shown in the 3D-drawing.

To obtain a complete unit, please select the red components from the pages shown.

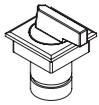


Actuator, Front dimension Ø 35 mm

| Front bezel colour | Front bezel material | Switching positions | Front bezel surface | Part No.       |
|--------------------|----------------------|---------------------|---------------------|----------------|
| Nature             | Aluminium            | Rest = 12 o'clock   | anodised            | 704.101.018KNI |
| Black              | Aluminium            | Rest = 9 o'clock    | anodised            | 704.101.110KNI |
| Nature             | Aluminium            | Rest = 9 o'clock    | anodised            | 704.101.118KNI |

## Selector rotary switch long lever, square, IP65

### Equipment consisting of (schematic overview)



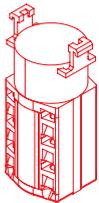
Actuator



Press frame



Bayonet flange

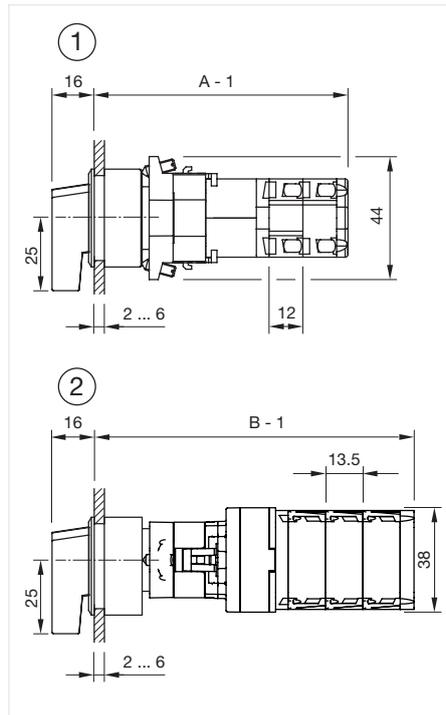


Switching element

Page 227

Each Part Number listed below includes all the black components shown in the 3D-drawing.

To obtain a complete unit, please select the red components from the pages shown.



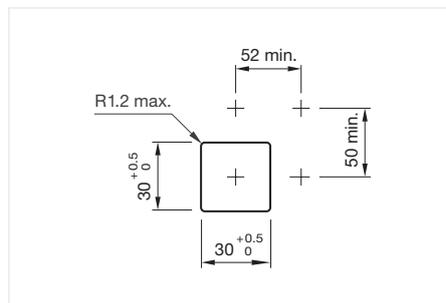
### Dimensions [mm]

1 = Kraus & Naimer switching element

A = (Number of stages x 12) + 66.5 mm

2 = Santon switching element

B = (Number of stages x 13,5) + 65.5 mm



### Mounting cut-outs [mm]



Product can differ from the current configuration.



### Actuator, Front dimension 35 mm x 35 mm

| Front bezel colour | Front bezel material | Switching positions | Part No.      |
|--------------------|----------------------|---------------------|---------------|
| Black              | Plastic              | Rest = 9 o'clock    | 704.300.100KN |
| Silver             | Plastic              | Rest = 9 o'clock    | 704.300.108KN |

# 04 Flush design

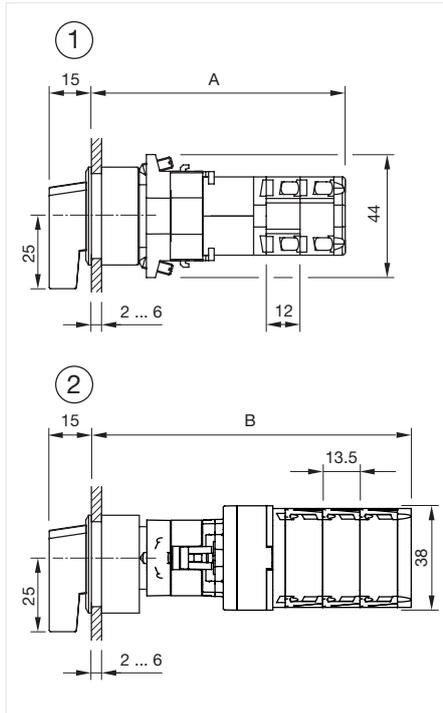
## Selector rotary switch long lever, round, IP65



Product can differ from the current configuration.

### General information

- The colour of anodised aluminium parts can vary due to technical production reasons



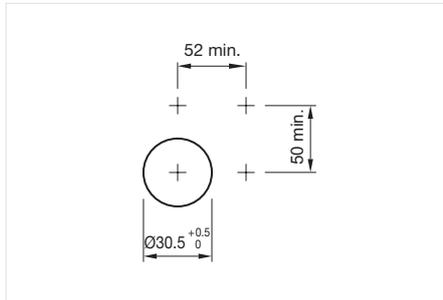
Dimensions [mm]

1 = Kraus & Naimer switching element

A = (Number of stages x 12) + 66.5 mm

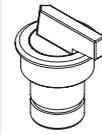
2 = Santon switching element

B = (Number of stages x 13,5) + 65.5 mm



Mounting cut-outs [mm]

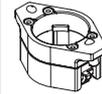
### Equipment consisting of (schematic overview)



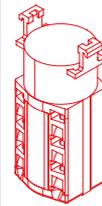
Actuator



Pressure ring



Bayonet flange



Switching element

Page 227

Each Part Number listed below includes all the black components shown in the 3D-drawing.

To obtain a complete unit, please select the red components from the pages shown.



### Actuator, Front dimension Ø 35 mm

| Front bezel colour | Front bezel material | Switching positions | Front bezel surface | Part No.      |
|--------------------|----------------------|---------------------|---------------------|---------------|
| Nature             | Aluminium            | Rest = 12 o'clock   | anodised            | 704.101.018KN |
| Black              | Aluminium            | Rest = 9 o'clock    | anodised            | 704.101.110KN |
| Nature             | Aluminium            | Rest = 9 o'clock    | anodised            | 704.101.118KN |

## Keylock switch 2 positions, square, IP65

### Equipment consisting of (schematic overview)



Actuator



Press frame



Bayonet flange

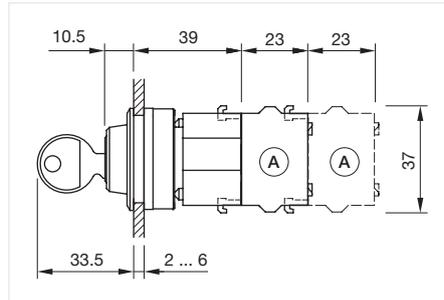


Switching element

Page 213

Each Part Number listed below includes all the black components shown in the 3D-drawing.

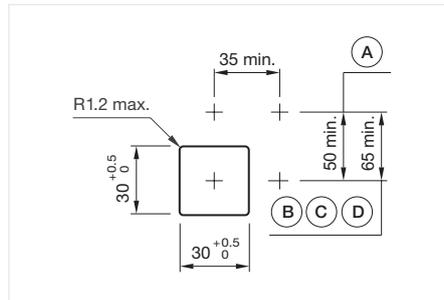
To obtain a complete unit, please select the red components from the pages shown.



Dimensions [mm]  
A = Screw terminal



Product can differ from the current configuration.



Mounting cut-outs [mm]  
A = Screw terminal  
B = Push-in terminal (PIT)  
C = Plug-in terminal 6.3 mm x 0.8 mm  
D = Double plug-in terminal 6.3 mm x 0.8 mm

### General information

- Max. 3 switching elements can be clipped on
- The standard lock Ronis 251

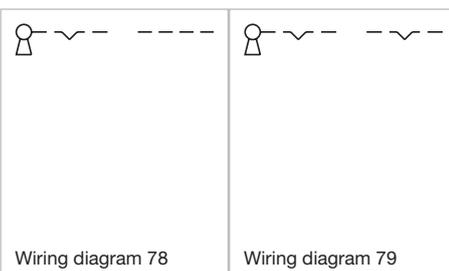


Actuator, Front dimension 35 mm x 35 mm

| Switching action          | Front bezel colour | Front bezel material | Switching angle | Part No.    | Wiring diagram |
|---------------------------|--------------------|----------------------|-----------------|-------------|----------------|
| Rest - Maintained (a)     | Black              | Plastic              | 90° right       | 704.340.000 | 79             |
|                           | Silver             | Plastic              | 90° right       | 704.340.008 | 79             |
| Rest (a) - Maintained     | Black              | Plastic              | 90° right       | 704.341.000 | 79             |
|                           | Silver             | Plastic              | 90° right       | 704.341.008 | 79             |
| Rest (a) - Maintained (a) | Black              | Plastic              | 90° right       | 704.342.000 | 79             |
|                           | Silver             | Plastic              | 90° right       | 704.342.008 | 79             |
| Rest (a) - Momentary      | Black              | Plastic              | 42° right       | 704.343.000 | 78             |
|                           | Silver             | Plastic              | 42° right       | 704.343.008 | 78             |

a = Key remove

### Wiring diagrams

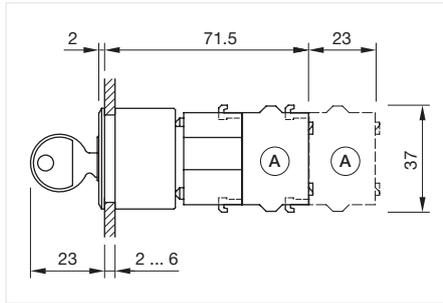


# 04 Flush design

## Keylock switch 2 positions, round, IP65



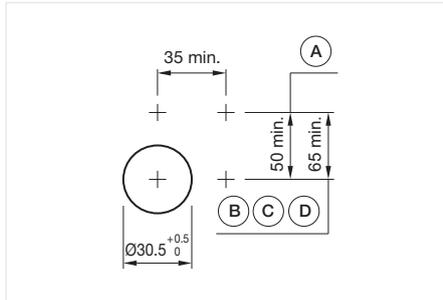
Product can differ from the current configuration.



Dimensions [mm]  
A = Screw terminal

### General information

- Max. 3 switching elements can be clipped on
- The standard lock Ronis 251
- The colour of anodised aluminium parts can vary due to technical production reasons



Mounting cut-outs [mm]  
A = Screw terminal  
B = Push-in terminal (PIT)  
C = Plug-in terminal 6.3 mm x 0.8 mm  
D = Double plug-in terminal 6.3 mm x 0.8 mm

### Equipment consisting of (schematic overview)



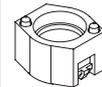
Actuator



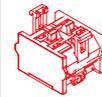
Anti-twist device



Pressure ring



Bayonet flange

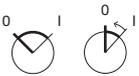


Switching element

Page 213

Each Part Number listed below includes all the black components shown in the 3D-drawing.

To obtain a complete unit, please select the red components from the pages shown.

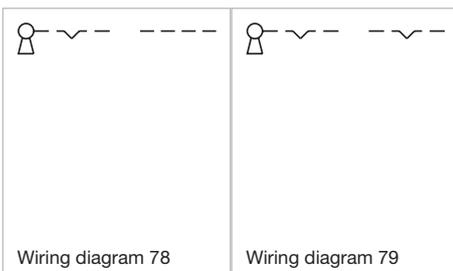


Actuator, Front dimension Ø 35 mm

| Switching action          | Front bezel colour | Front bezel material | Switching angle | Part No.    | Wiring diagram |
|---------------------------|--------------------|----------------------|-----------------|-------------|----------------|
| Rest - Maintained (a)     | Nature             | Aluminium            | 90° right       | 704.120.018 | 79             |
| Rest (a) - Maintained     | Nature             | Aluminium            | 90° right       | 704.121.018 | 79             |
| Rest (a) - Maintained (a) | Nature             | Aluminium            | 90° right       | 704.122.018 | 79             |
| Rest (a) - Momentary      | Nature             | Aluminium            | 42° right       | 704.123.018 | 78             |

a = Key remove

### Wiring diagrams



Wiring diagram 78

Wiring diagram 79

## Keylock switch 3 positions, square, IP65

### Equipment consisting of (schematic overview)



Actuator



Press frame



Bayonet flange

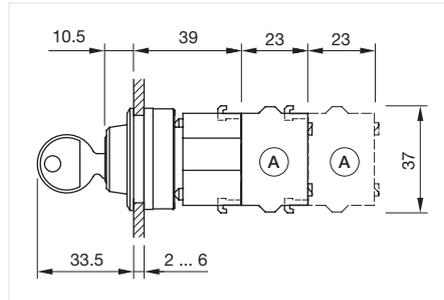


Switching element

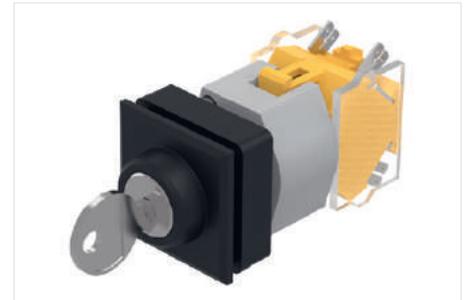
Page 213

Each Part Number listed below includes all the black components shown in the 3D-drawing.

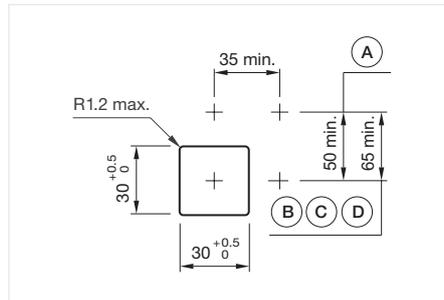
To obtain a complete unit, please select the red components from the pages shown.



Dimensions [mm]  
A = Screw terminal



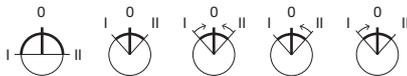
Product can differ from the current configuration.



Mounting cut-outs [mm]  
A = Screw terminal  
B = Push-in terminal (PIT)  
C = Plug-in terminal 6.3 mm x 0.8 mm  
D = Double plug-in terminal 6.3 mm x 0.8 mm

### General information

- Max. 3 switching elements can be clipped on
- The standard lock Ronis 251



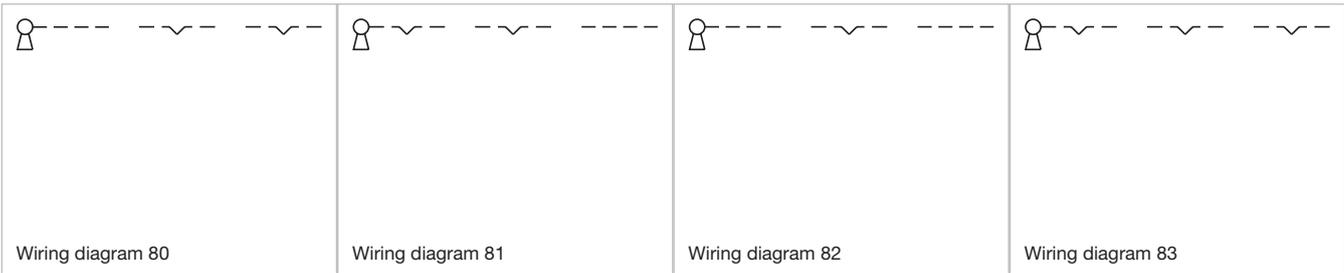
Actuator, Front dimension 35 mm x 35 mm

| Switching action                           | Front bezel colour | Front bezel material | Switching angle      | Part No.    | Wiring diagram |
|--|--------------------|----------------------|----------------------|-------------|----------------|
| Maintained (a) - Rest (a) - Maintained (a) | Black              | Plastic              | 90° left / 90° right | 704.333.000 | 83             |
|  | Silver             | Plastic              | 90° left / 90° right | 704.333.008 | 83             |
| Maintained - Rest (a) - Maintained         | Black              | Plastic              | 42° left / 42° right | 704.334.000 | 83             |
|  | Silver             | Plastic              | 42° left / 42° right | 704.334.008 | 83             |
| Momentary - Rest (a) - Momentary           | Black              | Plastic              | 42° left / 42° right | 704.335.000 | 82             |
|  | Silver             | Plastic              | 42° left / 42° right | 704.335.008 | 82             |
| Maintained (a) - Rest - Maintained (a)     | Black              | Plastic              | 42° left / 42° right | 704.336.000 | 83             |
|  | Silver             | Plastic              | 42° left / 42° right | 704.336.008 | 83             |
| Maintained (a) - Rest - Momentary          | Black              | Plastic              | 42° left / 42° right | 704.337.000 | 81             |
|  | Silver             | Plastic              | 42° left / 42° right | 704.337.008 | 81             |
| Momentary - Rest (a) - Maintained          | Black              | Plastic              | 42° left / 42° right | 704.338.000 | 80             |
|  | Silver             | Plastic              | 42° left / 42° right | 704.338.008 | 80             |
| Maintained (a) - Rest (a) - Momentary      | Black              | Plastic              | 42° left / 42° right | 704.344.000 | 81             |
|  | Silver             | Plastic              | 42° left / 42° right | 704.344.008 | 81             |

a = Key remove

# 04 Flush design

## Wiring diagrams



Follow us.  
We are on YouTube!  
*EAO ermöglicht. Seit 1947.*



[Come take a look at our YouTube profile today!](https://www.youtube.com/user/eaoswitches) *Be sure to give us a follow so that you can fully interact with us.*

<https://www.youtube.com/user/eaoswitches>

[www.eao.com](http://www.eao.com)

**eao** ■

Your Expert Partner for Human Machine Interfaces

## Keylock switch 3 positions, round, IP65

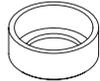
### Equipment consisting of (schematic overview)



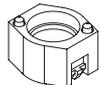
Actuator



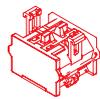
Anti-twist device



Pressure ring



Bayonet flange

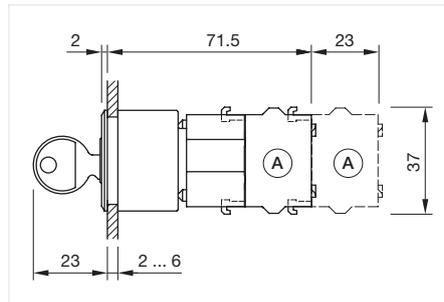


Switching element

Page 213

Each Part Number listed below includes all the black components shown in the 3D-drawing.

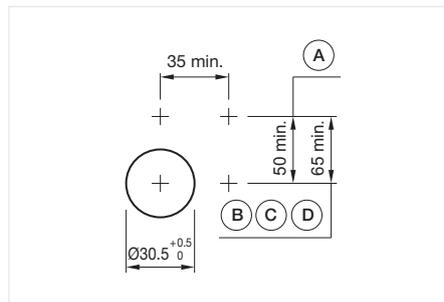
To obtain a complete unit, please select the red components from the pages shown.



Dimensions [mm]  
A = Screw terminal



Product can differ from the current configuration.



Mounting cut-outs [mm]  
A = Screw terminal  
B = Push-in terminal (PIT)  
C = Plug-in terminal 6.3 mm x 0.8 mm  
D = Double plug-in terminal 6.3 mm x 0.8 mm

### General information

- Max. 3 switching elements can be clipped on
- The standard lock Ronis 251
- The colour of anodised aluminium parts can vary due to technical production reasons

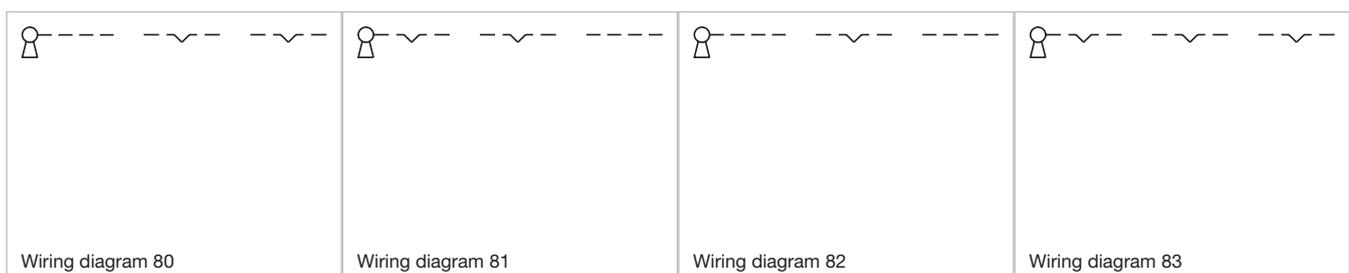


Actuator, Front dimension Ø 35 mm

| Switching action                           | Front bezel colour | Front bezel material | Switching angle      | Part No.    | Wiring diagram |
|--|--------------------|----------------------|----------------------|-------------|----------------|
| Maintained (a) - Rest (a) - Maintained (a) | Nature             | Aluminium            | 90° left / 90° right | 704.113.018 | 83             |
| Maintained - Rest (a) - Maintained         | Nature             | Aluminium            | 42° left / 42° right | 704.114.018 | 83             |
| Momentary - Rest (a) - Momentary           | Nature             | Aluminium            | 42° left / 42° right | 704.115.018 | 82             |
| Maintained (a) - Rest - Maintained (a)     | Nature             | Aluminium            | 42° left / 42° right | 704.116.018 | 83             |
| Maintained (a) - Rest - Momentary          | Nature             | Aluminium            | 42° left / 42° right | 704.117.018 | 81             |
| Momentary - Rest (a) - Maintained          | Nature             | Aluminium            | 42° left / 42° right | 704.118.018 | 80             |
| Maintained (a) - Rest (a) - Momentary      | Nature             | Aluminium            | 42° left / 42° right | 704.124.018 | 81             |

a = Key remove

### Wiring diagrams



# 04 Flush design

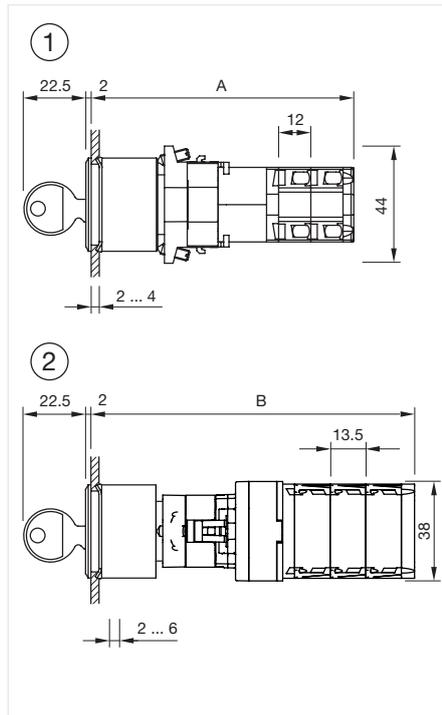
## Keylock rotary switch, IP65



Product can differ from the current configuration.

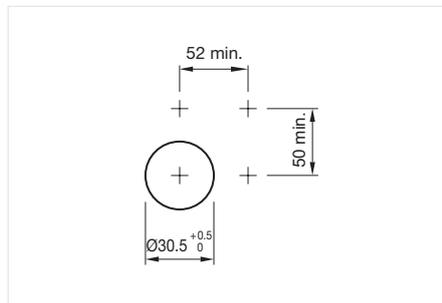
### General information

- The standard lock Ronis 251
- The colour of anodised aluminium parts can vary due to technical production reasons



Dimensions [mm]

- 1 = Kraus & Naimer switching element  
 A = (Number of stages x 12) + 66,5 mm  
 2 = Santon switching element  
 B = (Number of stages x 13,5) + 65,5 mm



Mounting cut-outs [mm]

### Equipment consisting of (schematic overview)



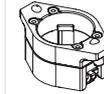
Actuator



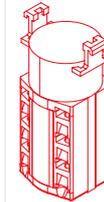
Anti-twist device



Pressure ring



Bayonet flange



Switching element

Page 227

Each Part Number listed below includes all the black components shown in the 3D-drawing.

To obtain a complete unit, please select the red components from the pages shown.



### Actuator, Front dimension Ø 35 mm

| Switching action      | Front bezel colour | Front bezel material | Switching positions | Part No.      |
|-----------------------|--------------------|----------------------|---------------------|---------------|
| Maintained - Rest (a) | Nature             | Aluminium            | Rest = 12 o'clock   | 704.123.018KN |
|                       | Nature             | Aluminium            | Rest = 9 o'clock    | 704.123.118KN |

a = Key remove

## Key-insert switch 2 positions , IP67

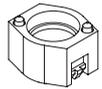
### Equipment consisting of (schematic overview)



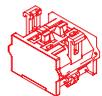
Actuator



Fixing nut



Bayonet flange

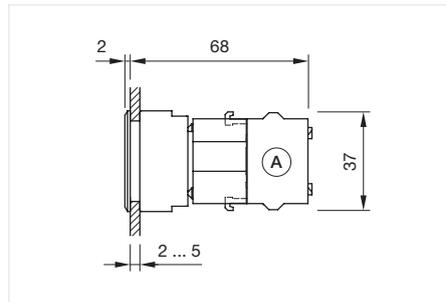


Switching element

Page 213

Each Part Number listed below includes all the black components shown in the 3D-drawing.

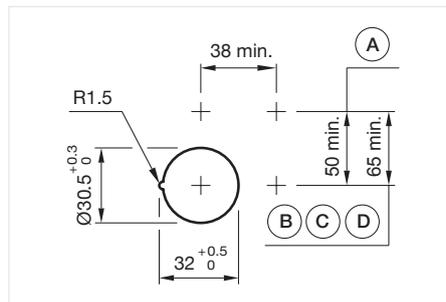
To obtain a complete unit, please select the red components from the pages shown.



Dimensions [mm]  
A = Screw terminal



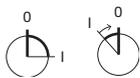
Product can differ from the current configuration.



Mounting cut-outs [mm]  
A = Screw terminal  
B = Push-in terminal (PIT)  
C = Plug-in terminal 6.3 mm x 0.8 mm  
D = Double plug-in terminal 6.3 mm x 0.8 mm

### General information

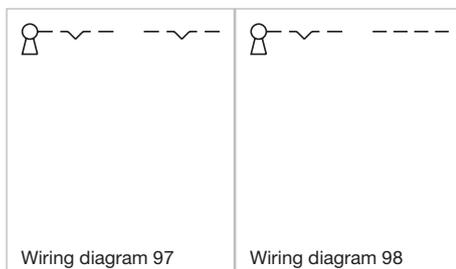
- Max. 3 switching elements can be clipped on
- In the Part-No. „x“ stands for not defined actuator



Actuator, Front dimension  $\varnothing$  38 mm

| Switching action  | Front bezel colour | Front bezel material | Switching angle | Part No.     | Wiring diagram |
|-------------------|--------------------|----------------------|-----------------|--------------|----------------|
| Rest - Maintained | Nature             | Stainless steel      | 90° right       | 704.101.0x28 | 97             |
| Rest - Momentary  | Nature             | Stainless steel      | 45° left        | 704.103.0x28 | 98             |

## Wiring diagrams

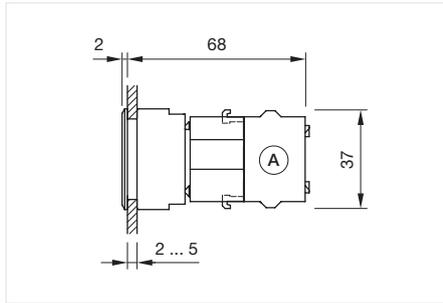


# 04 Flush design

## Key-insert switch 3 positions, IP67



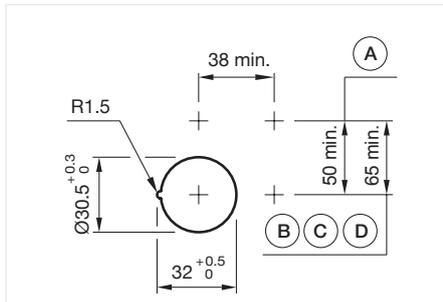
Product can differ from the current configuration.



Dimensions [mm]  
A = Screw terminal

### General information

- Max. 3 switching elements can be clipped on
- In the Part-No. „x“ stands for not defined actuator



Mounting cut-outs [mm]  
A = Screw terminal  
B = Push-in terminal (PIT)  
C = Plug-in terminal 6.3 mm x 0.8 mm  
D = Double plug-in terminal 6.3 mm x 0.8 mm

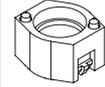
### Equipment consisting of (schematic overview)



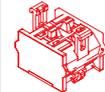
Actuator



Fixing nut



Bayonet flange

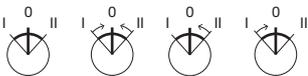


Switching element

Page 213

Each Part Number listed below includes all the black components shown in the 3D-drawing.

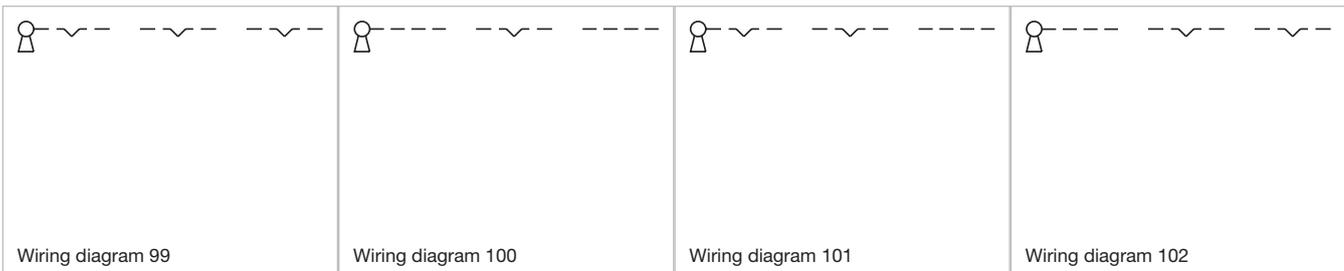
To obtain a complete unit, please select the red components from the pages shown.



Actuator, Front dimension  $\varnothing$  38 mm

| Switching action               | Front bezel colour | Front bezel material | Switching angle      | Part No.     | Wiring diagram |
|--------------------------------|--------------------|----------------------|----------------------|--------------|----------------|
| Maintained - Rest - Maintained | Nature             | Stainless steel      | 45° left / 45° right | 704.093.0x28 | 99             |
| Momentary - Rest - Momentary   | Nature             | Stainless steel      | 45° left / 45° right | 704.095.0x28 | 100            |
| Maintained - Rest - Momentary  | Nature             | Stainless steel      | 45° left / 45° right | 704.097.0x28 | 101            |
| Momentary - Rest - Maintained  | Nature             | Stainless steel      | 45° left / 45° right | 704.099.0x28 | 102            |

### Wiring diagrams



Wiring diagram 99

Wiring diagram 100

Wiring diagram 101

Wiring diagram 102

## Key-insert switch 3 positions, conductor switch, IP67

### Equipment consisting of (schematic overview)



Actuator



Actuator

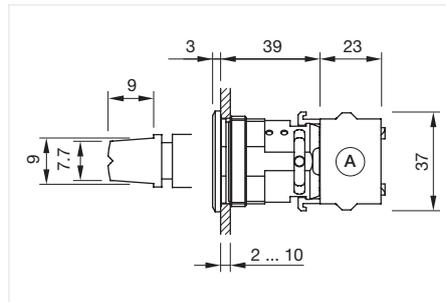


Switching element

Page 213

Each Part Number listed below includes all the black components shown in the 3D-drawing.

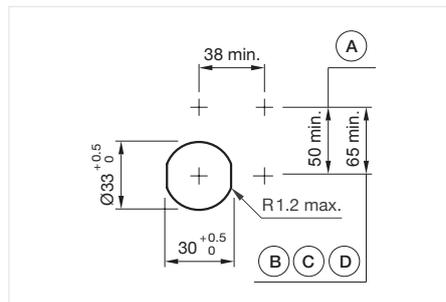
To obtain a complete unit, please select the red components from the pages shown.



Dimensions [mm]  
A = Screw terminal



Product can differ from the current configuration.



Mounting cut-outs [mm]  
A = Screw terminal  
B = Push-in terminal (PIT)  
C = Plug-in terminal 6.3 mm x 0.8 mm  
D = Double plug-in terminal 6.3 mm x 0.8 mm

### General information

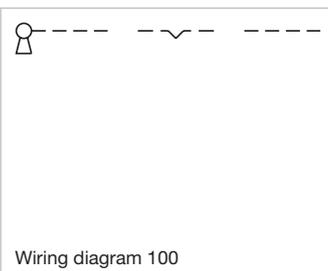
- Max. 1 switching element can be clipped on



Actuator, Front dimension Ø 38 mm

| Switching action             | Front bezel colour | Front bezel material | Switching angle      | Part No.      | Wiring diagram |
|------------------------------|--------------------|----------------------|----------------------|---------------|----------------|
| Momentary - Rest - Momentary | Nature             | Stainless steel      | 42° left / 42° right | 704.095.0T28N | 100            |

### Wiring diagrams



# 04 Flush design

## Lever switch, IP54



Product can differ from the current configuration.

### General information

- For all units are the levers 02 (black), 03, 04, 05, 06 (yellow) 13, 14, 15 and 16 available (levers 6 + 16 according UIC 612). Special levers on request
- Front bezel can also be delivered in black version
- Functions and properties, including lever style and switching positions of the lever switch are being produced according to customer specifications. Please contact your local EAO Sales Office
- Micro-switch contacts: The micro-switch is available with a silver contact or a gold plated silver contact. Contact without positive opening operation is used in the lever switches S41, S42 and S43
- Each lever switch includes a maximum of five micro-switches. Contact with positive opening operation is used in the lever switches S44 and S45. Each lever switch includes a maximum of four micro-switches



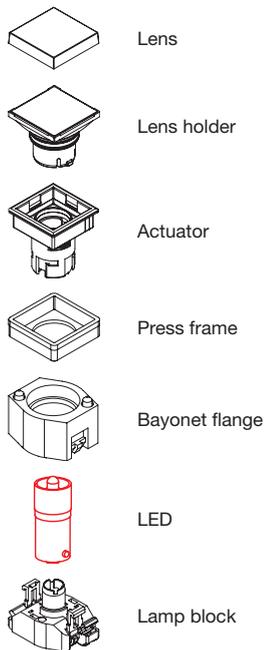
Actuator, Front dimension Ø 40 mm

| Product attributes  | Front bezel colour | Front bezel material | Front bezel surface | Switching system              | Contacts    | Part No.    |
|---|--------------------|----------------------|---------------------|-------------------------------|-------------|-------------|
| S41: Cage clamp 1.0 mm ... 1.5 mm <sup>2</sup> , 1 contact element                        | Nature             | Aluminium            | anodised            | Snap-action switching element | 1 NC / 1 NO | 704.151.XXX |
| S42: JST connector max. 0.2 mm <sup>2</sup> (counter plug is supplied), 1 contact element | Nature             | Aluminium            | anodised            | Snap-action switching element | 1 NC / 1 NO | 704.152.XXX |
| S43: Plug-in terminal 6.3 mm x 0.8 mm, 1 contact element                                  | Nature             | Aluminium            | anodised            | Snap-action switching element | 1 NC / 1 NO | 704.153.XXX |
| S44: Cage clamp 1.0 mm ... 1.5 mm <sup>2</sup> , 1 contact element positive open          | Nature             | Aluminium            | anodised            | Snap-action switching element | 1 NC / 1 NO | 704.154.XXX |
| S45: Screw terminal or plug-in terminal 6.3 mm x 0.8 mm, 1 contact element positive open  | Nature             | Aluminium            | anodised            | Snap-action switching element | 1 NC / 1 NO | 704.155.XXX |

Contacts: NC = Normally closed, NO = Normally open

## Indicator square, IP65

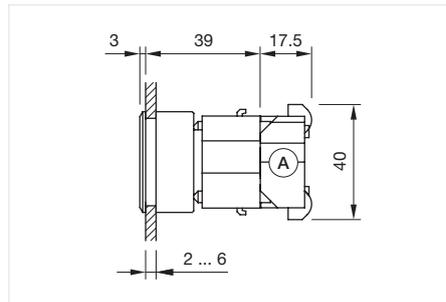
### Equipment consisting of (schematic overview)



Page 204

Each Part Number listed below includes all the black components shown in the 3D-drawing.

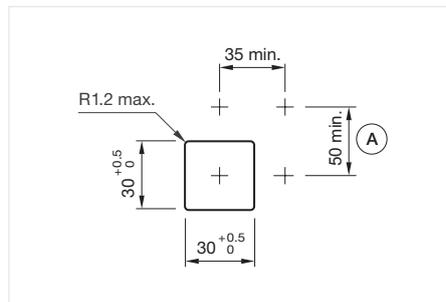
To obtain a complete unit, please select the red components from the pages shown.



Dimensions [mm]  
A = Screw terminal



Product can differ from the current configuration.



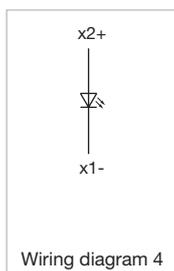
Mounting cut-outs [mm]  
A = Screw terminal



### Actuator, Front dimension 35 mm x 35 mm

| Housing colour | Housing material | Lens colour | Front bezel colour | Front bezel material | Marking plate colour | Marking plate optics | Part No.    | Wiring diagram |
|----------------|------------------|-------------|--------------------|----------------------|----------------------|----------------------|-------------|----------------|
| Black          | Plastic          | Red         | Silver             | Plastic              | White                | translucent          | 704.202.208 | 4              |
|                | Plastic          | Yellow      | Silver             | Plastic              | White                | translucent          | 704.202.408 | 4              |
|                | Plastic          | Green       | Silver             | Plastic              | White                | translucent          | 704.202.508 | 4              |
|                | Plastic          | Blue        | Silver             | Plastic              | White                | translucent          | 704.202.608 | 4              |
|                | Plastic          | Colourless  | Silver             | Plastic              | White                | translucent          | 704.202.708 | 4              |
|                | Plastic          | Red         | Black              | Plastic              | White                | translucent          | 704.206.200 | 4              |
|                | Plastic          | Yellow      | Black              | Plastic              | White                | translucent          | 704.206.400 | 4              |
|                | Plastic          | Green       | Black              | Plastic              | White                | translucent          | 704.206.500 | 4              |
|                | Plastic          | Blue        | Black              | Plastic              | White                | translucent          | 704.206.600 | 4              |
| Plastic        | Colourless       | Black       | Plastic            | White                | translucent          | 704.206.700          | 4           |                |

### Wiring diagrams

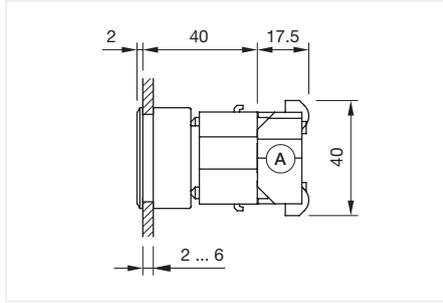


# 04 Flush design

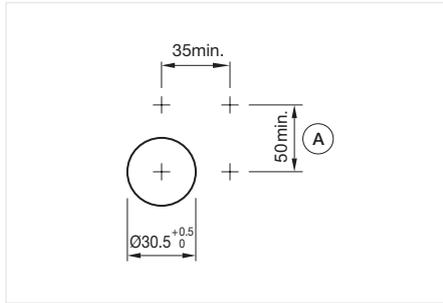
## Indicator round, IP65



Product can differ from the current configuration.

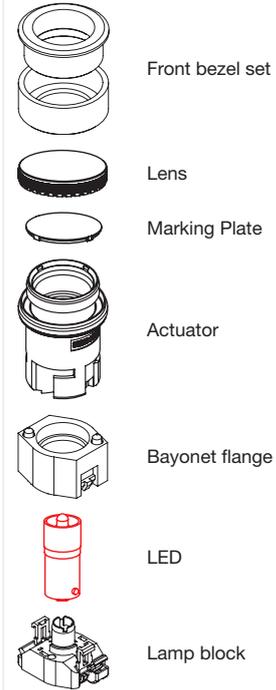


Dimensions [mm]  
A = Screw terminal



Mounting cut-outs [mm]  
A = Screw terminal

### Equipment consisting of (schematic overview)



Page 204

Each Part Number listed below includes all the black components shown in the 3D-drawing.

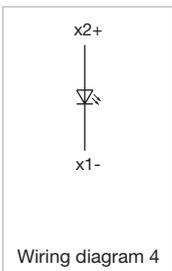
To obtain a complete unit, please select the red components from the pages shown.



### Actuator, Front dimension Ø 35 mm

| Housing colour | Housing material | Lens colour | Front bezel colour | Front bezel material | Front bezel surface | Part No.    | Wiring diagram |
|----------------|------------------|-------------|--------------------|----------------------|---------------------|-------------|----------------|
| Grey           | Plastic          | Red         | Nature             | Aluminium            | anodised            | 704.006.218 | 4              |
|                | Plastic          | Yellow      | Nature             | Aluminium            | anodised            | 704.006.418 | 4              |
|                | Plastic          | Green       | Nature             | Aluminium            | anodised            | 704.006.518 | 4              |
|                | Plastic          | Blue        | Nature             | Aluminium            | anodised            | 704.006.618 | 4              |
|                | Plastic          | Colourless  | Nature             | Aluminium            | anodised            | 704.006.718 | 4              |

## Wiring diagrams



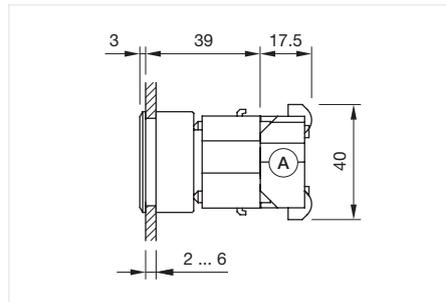
## Indicator square, IP65

### Equipment consisting of (schematic overview)

-  Lens Page 199
-  Lens holder Page 201
-  Actuator
-  Press frame
-  Bayonet flange Page 203
-  LED Page 204
-  Lamp block Page 210

Each Part Number listed below includes all the black components shown in the 3D-drawing.

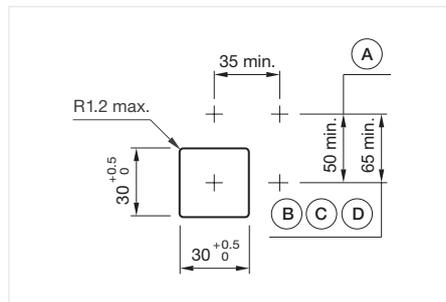
To obtain a complete unit, please select the red components from the pages shown.



Dimensions [mm]  
A = Screw terminal



Product can differ from the current configuration.



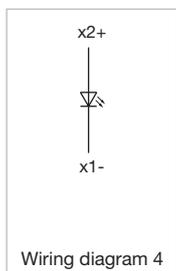
Mounting cut-outs [mm]  
A = Screw terminal  
B = Push-in terminal (PIT)  
C = Plug-in terminal 6.3 mm x 0.8 mm  
D = Double plug-in terminal 6.3 mm x 0.8 mm



Actuator, Front dimension 35 mm x 35 mm

| Housing colour | Housing material | Front bezel colour | Front bezel material | Part No.  | Wiring diagram |
|----------------|------------------|--------------------|----------------------|-----------|----------------|
| Black          | Plastic          | Black              | Plastic              | 704.743.0 | 4              |
|                | Plastic          | Silver             | Plastic              | 704.743.8 | 4              |

### Wiring diagrams

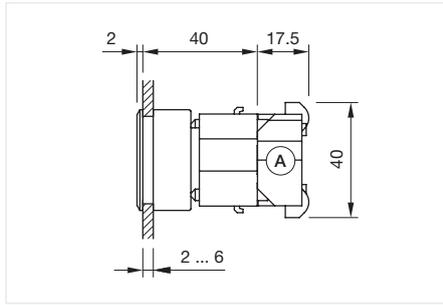


# 04 Flush design

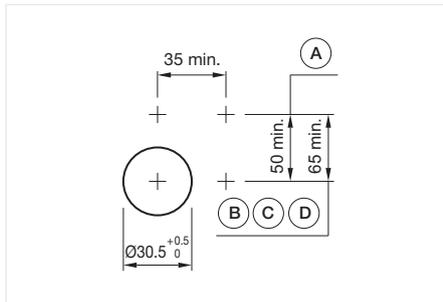
## Indicator round, IP65



Product can differ from the current configuration.



Dimensions [mm]  
A = Screw terminal



Mounting cut-outs [mm]  
A = Screw terminal  
B = Push-in terminal (PIT)  
C = Plug-in terminal 6.3 mm x 0.8 mm  
D = Double plug-in terminal 6.3 mm x 0.8 mm

### Equipment consisting of (schematic overview)

|  |                 |          |
|--|-----------------|----------|
|  | Front bezel set | Page 202 |
|  | Lens            | Page 199 |
|  | Marking Plate   | Page 201 |
|  | Actuator        |          |
|  | Bayonet flange  | Page 203 |
|  | LED             | Page 204 |
|  | Lamp block      | Page 210 |

Each Part Number listed below includes all the black components shown in the 3D-drawing.

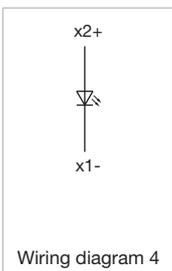
To obtain a complete unit, please select the red components from the pages shown.



Actuator, Front dimension Ø 35 mm

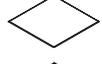
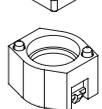
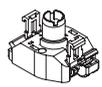
| Housing colour | Housing material | Part No.  | Wiring diagram |
|----------------|------------------|-----------|----------------|
| Grey           | Plastic          | 704.633.1 | 4              |

### Wiring diagrams



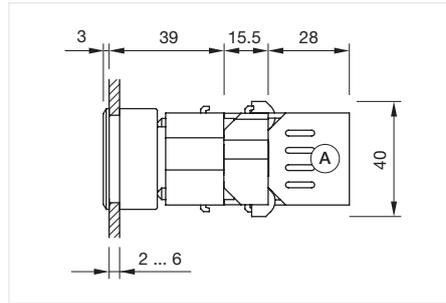
## Flasher without LED square, IP65

### Equipment consisting of (schematic overview)

-  Lens
-  Marking foil
-  Lens holder
-  Actuator
-  Press frame
-  Bayonet flange
-  LED Page 204
-  Lamp block
-  Flasher element Page 235

Each Part Number listed below includes all the black components shown in the 3D-drawing.

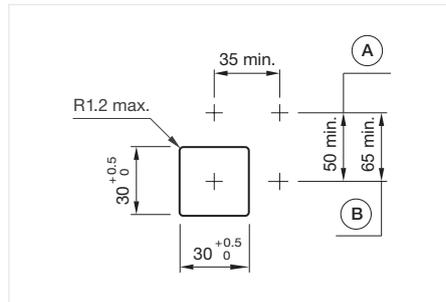
To obtain a complete unit, please select the red components from the pages shown.



Dimensions [mm]  
A = Screw terminal



Product can differ from the current configuration.



Mounting cut-outs [mm]  
A = Screw terminal  
B = Push-in terminal (PIT)

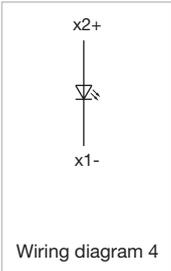


### Actuator, Front dimension 35 mm x 35 mm

| Housing colour | Housing material | Lens colour | Front bezel colour | Front bezel material | Marking plate colour | Marking plate optics | Part No.    | Wiring diagram |
|----------------|------------------|-------------|--------------------|----------------------|----------------------|----------------------|-------------|----------------|
| Black          | Plastic          | Red         | Silver             | Plastic              | White                | translucent          | 704.202.208 | 4              |
|                | Plastic          | Yellow      | Silver             | Plastic              | White                | translucent          | 704.202.408 | 4              |
|                | Plastic          | Green       | Silver             | Plastic              | White                | translucent          | 704.202.508 | 4              |
|                | Plastic          | Blue        | Silver             | Plastic              | White                | translucent          | 704.202.608 | 4              |
|                | Plastic          | Colourless  | Silver             | Plastic              | White                | translucent          | 704.202.708 | 4              |
|                | Plastic          | Red         | Black              | Plastic              | White                | translucent          | 704.206.200 | 4              |
|                | Plastic          | Yellow      | Black              | Plastic              | White                | translucent          | 704.206.400 | 4              |
|                | Plastic          | Green       | Black              | Plastic              | White                | translucent          | 704.206.500 | 4              |
|                | Plastic          | Blue        | Black              | Plastic              | White                | translucent          | 704.206.600 | 4              |
| Plastic        | Colourless       | Black       | Plastic            | White                | translucent          | 704.206.700          | 4           |                |

# 04 Flush design

## Wiring diagrams



*As a successful company with production sites around the world, EAO is actively committed to the effective implementation of a sustainable environmental policy.*

We act responsibly. In our environmental focus, we set benchmarks for ourselves, our products and our customers. Throughout our entire value chain, we think and work in a way that is resource-efficient and environmentally-friendly. When selecting our components and raw materials, we ensure that we have partnerships in place with certified manufacturers and that we adhere to EC guidelines on hazardous materials (RoHS).

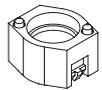
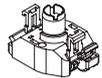


Your Expert Partner for Human Machine Interfaces

[www.eao.com](http://www.eao.com)

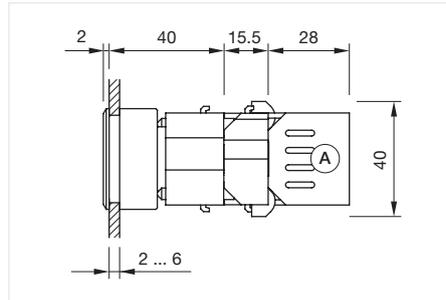
## Flasher without LED round, IP65

### Equipment consisting of (schematic overview)

-  Front bezel set
-  Lens
-  Marking Plate
-  Actuator
-  Bayonet flange
-  LED Page 204
-  Lamp block
-  Flasher element Page 235

Each Part Number listed below includes all the black components shown in the 3D-drawing.

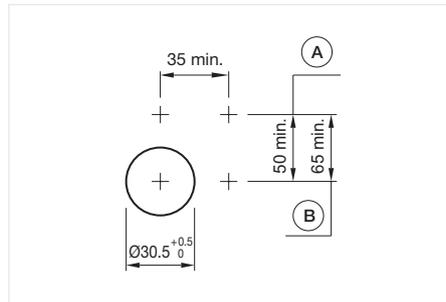
To obtain a complete unit, please select the red components from the pages shown.



Dimensions [mm]  
A = Screw terminal



Product can differ from the current configuration.



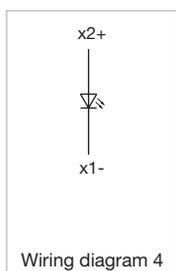
Mounting cut-outs [mm]  
A = Screw terminal  
B = Push-in terminal (PIT)



### Actuator, Front dimension Ø 35 mm

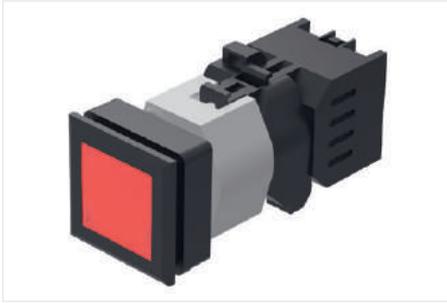
| Housing colour | Housing material | Lens colour | Front bezel colour | Front bezel material | Front bezel surface | Part No.    | Wiring diagram |
|----------------|------------------|-------------|--------------------|----------------------|---------------------|-------------|----------------|
| Grey           | Plastic          | Red         | Nature             | Aluminium            | anodised            | 704.006.218 | 4              |
|                | Plastic          | Yellow      | Nature             | Aluminium            | anodised            | 704.006.418 | 4              |
|                | Plastic          | Green       | Nature             | Aluminium            | anodised            | 704.006.518 | 4              |
|                | Plastic          | Blue        | Nature             | Aluminium            | anodised            | 704.006.618 | 4              |
|                | Plastic          | Colourless  | Nature             | Nature               | Aluminium           | anodised    | 704.006.718    |

### Wiring diagrams

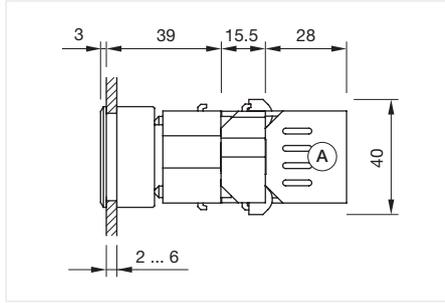


# 04 Flush design

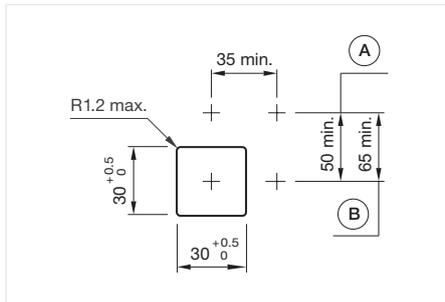
## Flasher square, IP65



Product can differ from the current configuration.



Dimensions [mm]  
A = Screw terminal



Mounting cut-outs [mm]  
A = Screw terminal  
B = Push-in terminal (PIT)

### Equipment consisting of (schematic overview)

|  |                 |          |
|--|-----------------|----------|
|   | Lens            | Page 199 |
|   | Lens holder     | Page 201 |
|   | Actuator        |          |
|   | Press frame     |          |
|   | Bayonet flange  | Page 203 |
|   | LED             | Page 204 |
|   | Lamp block      | Page 210 |
|  | Flasher element | Page 235 |

Each Part Number listed below includes all the black components shown in the 3D-drawing.

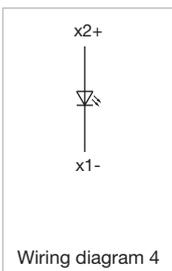
To obtain a complete unit, please select the red components from the pages shown.



Actuator, Front dimension 35 mm x 35 mm

| Housing colour | Housing material | Front bezel colour | Front bezel material | Part No.  | Wiring diagram |
|----------------|------------------|--------------------|----------------------|-----------|----------------|
| Black          | Plastic          | Black              | Plastic              | 704.743.0 | 4              |
|                | Plastic          | Silver             | Plastic              | 704.743.8 | 4              |

### Wiring diagrams



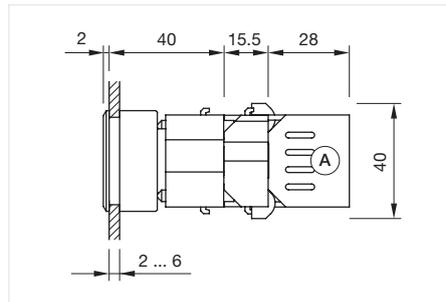
## Flasher round, IP65

### Equipment consisting of (schematic overview)

|   |                 |          |
|---|-----------------|----------|
|    | Front bezel set | Page 202 |
|    | Lens            | Page 199 |
|    | Marking Plate   | Page 201 |
|    | Actuator        |          |
|    | Bayonet flange  | Page 203 |
|    | LED             | Page 204 |
|   | Lamp block      | Page 210 |
|  | Flasher element | Page 235 |

Each Part Number listed below includes all the black components shown in the 3D-drawing.

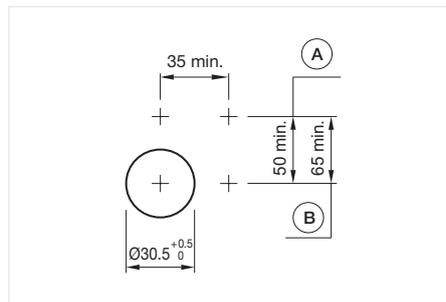
To obtain a complete unit, please select the red components from the pages shown.



Dimensions [mm]  
A = Screw terminal



Product can differ from the current configuration.



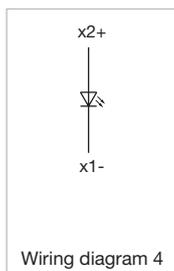
Mounting cut-outs [mm]  
A = Screw terminal  
B = Push-in terminal (PIT)



Actuator, Front dimension  $\varnothing$  35 mm

| Housing colour | Housing material | Part No.  | Wiring diagram |
|----------------|------------------|-----------|----------------|
| Grey           | Plastic          | 704.633.1 | 4              |

### Wiring diagrams

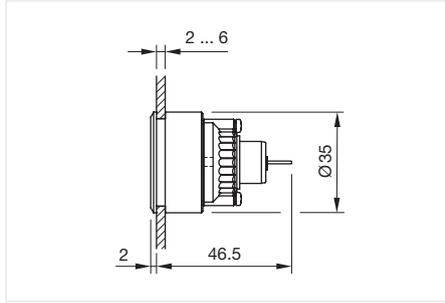


# 04 Flush design

## Buzzer, IP40



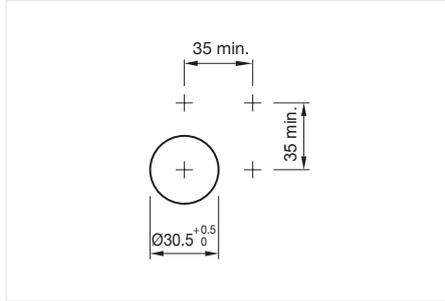
Product can differ from the current configuration.



Dimensions [mm]

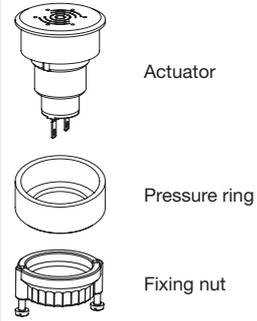
### General information

- Further information see Technical data



Mounting cut-outs [mm]

### Equipment consisting of (schematic overview)



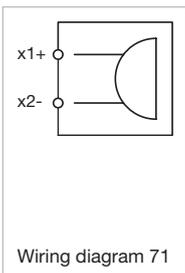
Each Part Number listed below includes all the black components shown in the 3D-drawing.



Actuator, Front dimension Ø 35 mm

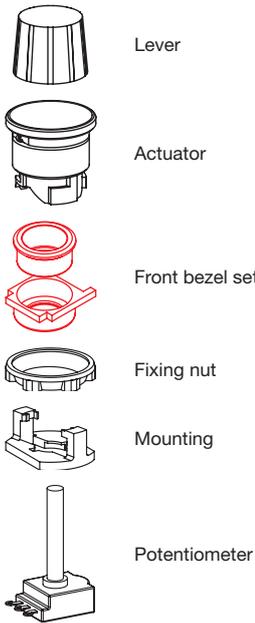
| Terminal         | Operating voltage | Front cap colour | Front cap material | Front cap surface | Part No.   | Wiring diagram |
|------------------|-------------------|------------------|--------------------|-------------------|------------|----------------|
| Plug-in terminal | 24 V DC           | Black            | Aluminium          | anodised          | 14-810.910 | 71             |
|                  | 24 V DC           | Nature           | Aluminium          | anodised          | 14-810.918 | 71             |

## Wiring diagrams



## Potentiometer, IP65

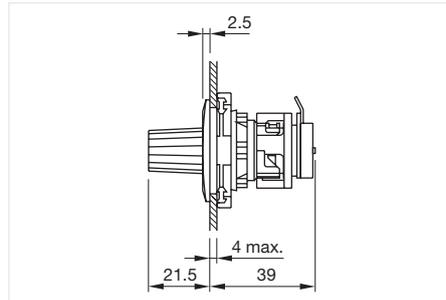
### Equipment consisting of (schematic overview)



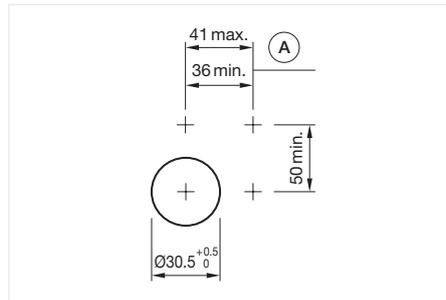
Page 202

Each Part Number listed below includes all the black components shown in the 3D-drawing.

To obtain a complete unit, please select the red components from the pages shown.



Dimensions [mm]



Mounting cut-outs [mm]  
A = Action range of aligning pins



Product can differ from the current configuration.

### General information

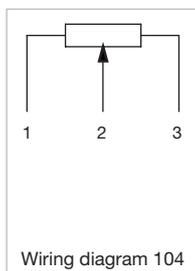
- For front dimensions 36 mm x 36 mm,  $\varnothing$  36 mm



Actuator, Front dimension  $\varnothing$  36 mm

| Housing material | Front bezel colour | Front bezel material | Front bezel surface | Resistance | Part No.       | Wiring diagram |
|------------------|--------------------|----------------------|---------------------|------------|----------------|----------------|
| Plastic          |                    | Metal                | matt chrome         | 10 kOhm    | 44-745.20-10K1 | 104            |
|                  | Matt grey          | Plastic              |                     | 10 kOhm    | 44-745.60-10K1 | 104            |

## Wiring diagrams



# 04 Flush design

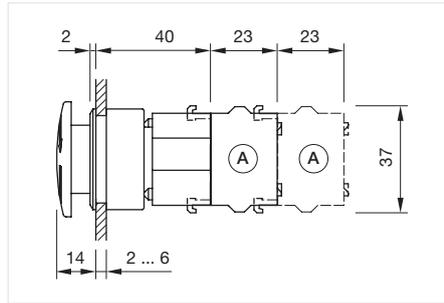
## Stop switch, IP65



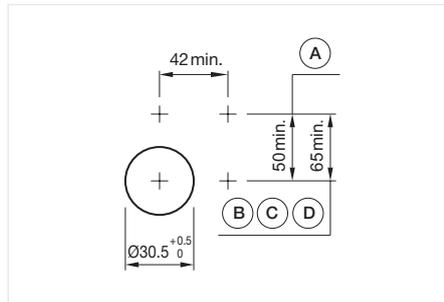
Product can differ from the current configuration.

### General information

- Max. 3 switching elements can be clipped on
- Twist to unlock clockwise



Dimensions [mm]  
A = Screw terminal



Mounting cut-outs [mm]  
A = Screw terminal  
B = Push-in terminal (PIT)  
C = Plug-in terminal 6.3 mm x 0.8 mm  
D = Double plug-in terminal 6.3 mm x 0.8 mm

### Equipment consisting of (schematic overview)



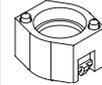
Actuator



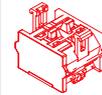
Anti-twist device



Pressure ring



Bayonet flange



Switching element

Page 213

Each Part Number listed below includes all the black components shown in the 3D-drawing.

To obtain a complete unit, please select the red components from the pages shown.



Actuator, Front dimension Ø 40 mm

| Switching action | Lens colour | Front bezel colour | Front bezel material | Front bezel surface | Marking | Part No.    | Wiring diagram |
|------------------|-------------|--------------------|----------------------|---------------------|---------|-------------|----------------|
| Maintained       | Red         | Black              | Aluminium            | anodised            | Arrows  | 704.074.210 | 76             |
|                  | Red         | Nature             | Aluminium            | anodised            | Arrows  | 704.075.218 | 76             |
|                  | Red         | Black              | Aluminium            | anodised            | Stop    | 704.075.310 | 76             |
|                  | Red         | Nature             | Aluminium            | anodised            | Stop    | 704.075.318 | 76             |

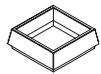
## Wiring diagrams



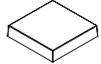
Wiring diagram 76

## Pushbutton square, IP67

### Equipment consisting of (schematic overview)



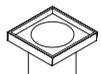
Front bezel



Lens



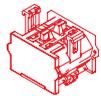
Lens holder



Actuator



Bayonet flange

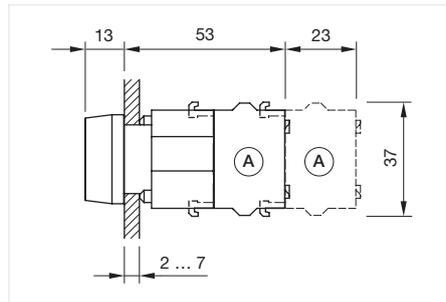


Switching element

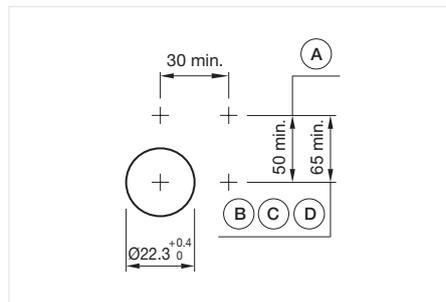
Page 213

Each Part Number listed below includes all the black components shown in the 3D-drawing.

To obtain a complete unit, please select the red components from the pages shown.



Dimensions [mm]  
A = Screw terminal



Mounting cut-outs [mm]  
A = Screw terminal  
B = Push-in terminal (PIT)  
C = Plug-in terminal 6.3 mm x 0.8 mm  
D = Double plug-in terminal 6.3 mm x 0.8 mm



Product can differ from the current configuration.

### General information

- Max. 3 switching elements can be clipped on



### Actuator, Front dimension 30 mm x 30 mm

| Switching action | Front bezel colour | Front bezel material | Lens colour | Lens material | Housing colour | Housing material | Part No.  | Wiring diagram |
|------------------|--------------------|----------------------|-------------|---------------|----------------|------------------|-----------|----------------|
| Momentary        | Black              | Plastic              | Black       | Plastic       | Black          | Plastic          | 704.209.0 | 72             |
|                  | Black              | Plastic              | Red         | Plastic       | Black          | Plastic          | 704.209.2 | 72             |
|                  | Black              | Plastic              | Yellow      | Plastic       | Black          | Plastic          | 704.209.4 | 72             |
|                  | Black              | Plastic              | Green       | Plastic       | Black          | Plastic          | 704.209.5 | 72             |
|                  | Black              | Plastic              | Blue        | Plastic       | Black          | Plastic          | 704.209.6 | 72             |
|                  | Black              | Plastic              | Colourless  | Plastic       | Black          | Plastic          | 704.209.7 | 72             |
|                  | Grey               | Plastic              | Black       | Plastic       | Black          | Plastic          | 704.210.0 | 72             |
|                  | Grey               | Plastic              | Red         | Plastic       | Black          | Plastic          | 704.210.2 | 72             |
|                  | Grey               | Plastic              | Yellow      | Plastic       | Black          | Plastic          | 704.210.4 | 72             |
|                  | Grey               | Plastic              | Green       | Plastic       | Black          | Plastic          | 704.210.5 | 72             |
|                  | Grey               | Plastic              | Blue        | Plastic       | Black          | Plastic          | 704.210.6 | 72             |
|                  | Grey               | Plastic              | Colourless  | Plastic       | Black          | Plastic          | 704.210.7 | 72             |
| Maintained       | Black              | Plastic              | Black       | Plastic       | Black          | Plastic          | 704.239.0 | 73             |
|                  | Black              | Plastic              | Red         | Plastic       | Black          | Plastic          | 704.239.2 | 73             |
|                  | Black              | Plastic              | Green       | Plastic       | Black          | Plastic          | 704.239.5 | 73             |
|                  | Black              | Plastic              | Colourless  | Plastic       | Black          | Plastic          | 704.239.7 | 73             |
|                  | Grey               | Plastic              | Black       | Plastic       | Black          | Plastic          | 704.240.0 | 73             |
|                  | Grey               | Plastic              | Red         | Plastic       | Black          | Plastic          | 704.240.2 | 73             |
|                  | Grey               | Plastic              | Yellow      | Plastic       | Black          | Plastic          | 704.240.4 | 73             |
|                  | Grey               | Plastic              | Green       | Plastic       | Black          | Plastic          | 704.240.5 | 73             |
| Grey             | Plastic            | Colourless           | Plastic     | Black         | Plastic        | 704.240.7        | 73        |                |

# 04 Raised design

## Wiring diagrams

E---

E~--

Wiring diagram 72

Wiring diagram 73



Modern. Tactile and long-lasting.  
*Series 04 illuminated selector switches.*

Intuitive and reliable operation for enhanced safety in public transportation.

- Bright, single or bi-colour LED illumination
- Modern, ergonomic design
- Rounded edges (in accordance with DIN 5566-1)
- Excellent tactile feedback
- Long service life and robust construction
- Wide range of possible combinations and options

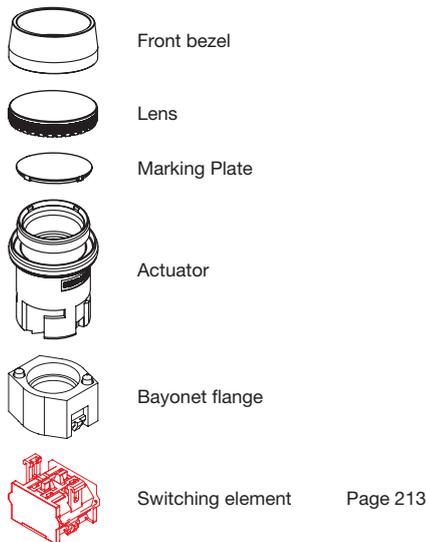
[www.eao.com](http://www.eao.com)

**eao** ■

Your Expert Partner for Human Machine Interfaces

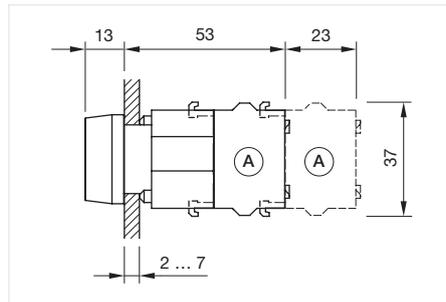
## Pushbutton round

### Equipment consisting of (schematic overview)



Each Part Number listed below includes all the black components shown in the 3D-drawing.

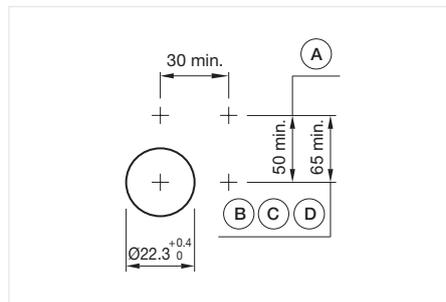
To obtain a complete unit, please select the red components from the pages shown.



Dimensions [mm]  
A = Screw terminal



Product can differ from the current configuration.



Mounting cut-outs [mm]  
A = Screw terminal  
B = Push-in terminal (PIT)  
C = Plug-in terminal 6.3 mm x 0.8 mm  
D = Double plug-in terminal 6.3 mm x 0.8 mm

### General information

- Max. 3 switching elements can be clipped on



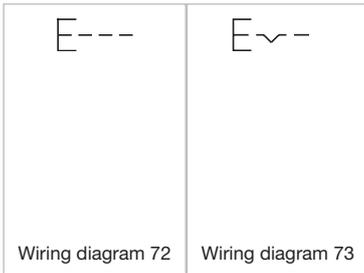
### Actuator, Front dimension Ø 29 mm

| Switching action | Front bezel colour | Front bezel material | Front bezel surface | Lens colour | Lens material | Housing colour | Housing material | IP front protection | Part No.  | Wiring diagram |
|------------------|--------------------|----------------------|---------------------|-------------|---------------|----------------|------------------|---------------------|-----------|----------------|
| Momentary        | Black              | Plastic              |                     | Black       | Plastic       | Grey           | Plastic          | IP65                | 704.009.0 | 72             |
|                  | Black              | Plastic              |                     | Red         | Plastic       | Grey           | Plastic          | IP65                | 704.009.2 | 72             |
|                  | Black              | Plastic              |                     | Yellow      | Plastic       | Grey           | Plastic          | IP65                | 704.009.4 | 72             |
|                  | Black              | Plastic              |                     | Green       | Plastic       | Grey           | Plastic          | IP65                | 704.009.5 | 72             |
|                  | Black              | Plastic              |                     | Blue        | Plastic       | Grey           | Plastic          | IP65                | 704.009.6 | 72             |
|                  | Grey               | Plastic              |                     | Colourless  | Plastic       | Grey           | Plastic          | IP65                | 704.009.7 | 72             |
|                  | Grey               | Plastic              |                     | Black       | Plastic       | Grey           | Plastic          | IP65                | 704.010.0 | 72             |
|                  | Grey               | Plastic              |                     | Red         | Plastic       | Grey           | Plastic          | IP65                | 704.010.2 | 72             |
|                  | Grey               | Plastic              |                     | Yellow      | Plastic       | Grey           | Plastic          | IP65                | 704.010.4 | 72             |
|                  | Grey               | Plastic              |                     | Green       | Plastic       | Grey           | Plastic          | IP65                | 704.010.5 | 72             |
|                  | Grey               | Plastic              |                     | Blue        | Plastic       | Grey           | Plastic          | IP65                | 704.010.6 | 72             |
|                  | Grey               | Plastic              |                     | Colourless  | Plastic       | Grey           | Plastic          | IP65                | 704.010.7 | 72             |
|                  | Nature             | Aluminium            | anodised            | Black       | Aluminium     | Grey           | Plastic          | IP65                | 704.011.0 | 72             |

# 04 Raised design

| Switching action | Front bezel colour | Front bezel material | Front bezel surface | Lens colour | Lens material | Housing colour | Housing material | IP front protection | Part No.  | Wiring diagram |
|------------------|--------------------|----------------------|---------------------|-------------|---------------|----------------|------------------|---------------------|-----------|----------------|
| Momentary        | Nature             | Aluminium            | anodised            | Red         | Aluminium     | Grey           | Plastic          | IP65                | 704.011.2 | 72             |
|                  | Nature             | Aluminium            | anodised            | Gold        | Aluminium     | Grey           | Plastic          | IP65                | 704.011.4 | 72             |
|                  | Nature             | Aluminium            | anodised            | Olive green | Aluminium     | Grey           | Plastic          | IP65                | 704.011.5 | 72             |
|                  | Nature             | Aluminium            | anodised            | Blue        | Aluminium     | Grey           | Plastic          | IP65                | 704.011.6 | 72             |
|                  | Nature             | Aluminium            | anodised            | Nature      | Aluminium     | Grey           | Plastic          | IP65                | 704.011.8 | 72             |
|                  | Nature             | Aluminium            | anodised            | Black       | Plastic       | Grey           | Plastic          | IP65                | 704.012.0 | 72             |
|                  | Nature             | Aluminium            | anodised            | Red         | Plastic       | Grey           | Plastic          | IP65                | 704.012.2 | 72             |
|                  | Nature             | Aluminium            | anodised            | Yellow      | Plastic       | Grey           | Plastic          | IP65                | 704.012.4 | 72             |
|                  | Nature             | Aluminium            | anodised            | Green       | Plastic       | Grey           | Plastic          | IP65                | 704.012.5 | 72             |
|                  | Nature             | Aluminium            | anodised            | Blue        | Plastic       | Grey           | Plastic          | IP65                | 704.012.6 | 72             |
| Nature           | Aluminium          | anodised             | Colourless          | Plastic     | Grey          | Plastic        | IP65             | 704.012.7           | 72        |                |
| Maintained       | Black              | Plastic              |                     | Black       | Plastic       | Grey           | Plastic          | IP65                | 704.039.0 | 73             |
|                  | Black              | Plastic              |                     | Red         | Plastic       | Grey           | Plastic          | IP65                | 704.039.2 | 73             |
|                  | Black              | Plastic              |                     | Yellow      | Plastic       | Grey           | Plastic          | IP65                | 704.039.4 | 73             |
|                  | Black              | Plastic              |                     | Green       | Plastic       | Grey           | Plastic          | IP65                | 704.039.5 | 73             |
|                  | Black              | Plastic              |                     | Blue        | Plastic       | Grey           | Plastic          | IP65                | 704.039.6 | 73             |
|                  | Black              | Plastic              |                     | Colourless  | Plastic       | Grey           | Plastic          | IP65                | 704.039.7 | 73             |
|                  | Grey               | Plastic              |                     | Black       | Plastic       | Grey           | Plastic          | IP65                | 704.040.0 | 73             |
|                  | Grey               | Plastic              |                     | Red         | Plastic       | Grey           | Plastic          | IP65                | 704.040.2 | 73             |
|                  | Grey               | Plastic              |                     | Yellow      | Plastic       | Grey           | Plastic          | IP65                | 704.040.4 | 73             |
|                  | Grey               | Plastic              |                     | Green       | Plastic       | Grey           | Plastic          | IP65                | 704.040.5 | 73             |
|                  | Grey               | Plastic              |                     | Blue        | Plastic       | Grey           | Plastic          | IP65                | 704.040.6 | 73             |
|                  | Grey               | Plastic              |                     | Colourless  | Plastic       | Grey           | Plastic          | IP65                | 704.040.7 | 73             |
|                  | Nature             | Aluminium            | anodised            | Black       | Aluminium     | Grey           | Plastic          | IP65                | 704.041.0 | 73             |
|                  | Nature             | Aluminium            | anodised            | Red         | Aluminium     | Grey           | Plastic          | IP65                | 704.041.2 | 73             |
|                  | Nature             | Aluminium            | anodised            | Olive green | Aluminium     | Grey           | Plastic          | IP65                | 704.041.5 | 73             |
|                  | Nature             | Aluminium            | anodised            |             | Aluminium     | Grey           | Plastic          | IP65                | 704.041.6 | 73             |
|                  | Nature             | Aluminium            | anodised            | Nature      | Aluminium     | Grey           | Plastic          | IP65                | 704.041.8 | 73             |
|                  | Nature             | Aluminium            | anodised            | Black       | Plastic       | Grey           | Plastic          | IP65                | 704.042.0 | 73             |
|                  | Nature             | Aluminium            | anodised            | Red         | Plastic       | Grey           | Plastic          | IP65                | 704.042.2 | 73             |
|                  | Nature             | Aluminium            | anodised            | Yellow      | Plastic       | Grey           | Plastic          | IP65                | 704.042.4 | 73             |
| Nature           | Aluminium          | anodised             | Green               | Plastic     | Grey          | Plastic        | IP65             | 704.042.5           | 73        |                |
| Nature           | Aluminium          | anodised             | Blue                | Plastic     | Grey          | Plastic        | IP65             | 704.042.6           | 73        |                |
| Nature           | Aluminium          | anodised             | Colourless          | Plastic     | Grey          | Plastic        | IP65             | 704.042.7           | 73        |                |
| Momentary        | Nature             | Aluminium            | anodised            | Black       | Plastic       | Grey           | Plastic          | IP67                | 704.013.0 | 72             |
|                  | Nature             | Aluminium            | anodised            | Red         | Plastic       | Grey           | Plastic          | IP67                | 704.013.2 | 72             |
|                  | Nature             | Aluminium            | anodised            | Yellow      | Plastic       | Grey           | Plastic          | IP67                | 704.013.4 | 72             |
|                  | Nature             | Aluminium            | anodised            | Green       | Plastic       | Grey           | Plastic          | IP67                | 704.013.5 | 72             |
|                  | Nature             | Aluminium            | anodised            | Blue        | Plastic       | Grey           | Plastic          | IP67                | 704.013.6 | 72             |
|                  | Nature             | Aluminium            | anodised            | Colourless  | Plastic       | Grey           | Plastic          | IP67                | 704.013.7 | 72             |
| Maintained       | Nature             | Aluminium            | anodised            | Black       | Plastic       | Grey           | Plastic          | IP67                | 704.043.0 | 73             |
|                  | Nature             | Aluminium            | anodised            | Red         | Plastic       | Grey           | Plastic          | IP67                | 704.043.2 | 73             |
|                  | Nature             | Aluminium            | anodised            | Colourless  | Plastic       | Grey           | Plastic          | IP67                | 704.043.7 | 73             |

Wiring diagrams



01  
02  
03  
**04**  
09  
14  
17  
18  
19  
22  
31  
41  
45  
51  
56  
57  
61  
70  
71  
82  
84  
92  
96



**EAO.**  
Award winning.  
*EAO creates possibilities. Since 1947.*



**EAO provides outstanding design** – based almost exclusively on functional and technological considerations.

EAO's products and solutions have won numerous design awards over the years.

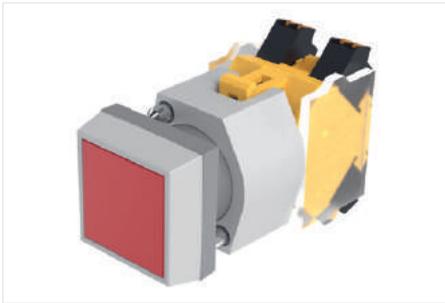
[www.eao.com](http://www.eao.com)



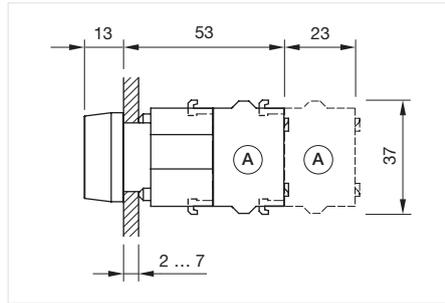
Your Expert Partner for Human Machine Interfaces

# 04 Raised design

## Pushbutton square, IP65



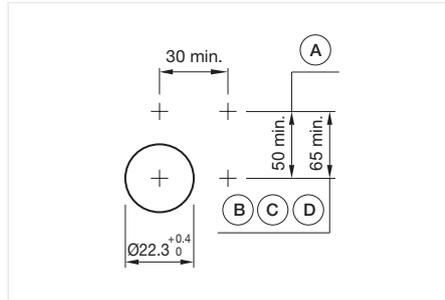
Product can differ from the current configuration.



Dimensions [mm]  
A = Screw terminal

### General information

- Max. 3 switching elements can be clipped on



Mounting cut-outs [mm]  
A = Screw terminal  
B = Push-in terminal (PIT)  
C = Plug-in terminal 6.3 mm x 0.8 mm  
D = Double plug-in terminal 6.3 mm x 0.8 mm

### Equipment consisting of (schematic overview)

|  |                   |          |
|--|-------------------|----------|
|  | Front bezel       | Page 202 |
|  | Lens              | Page 199 |
|  | Lens holder       | Page 201 |
|  | Actuator          |          |
|  | Bayonet flange    | Page 203 |
|  | Switching element | Page 213 |

Each Part Number listed below includes all the black components shown in the 3D-drawing.

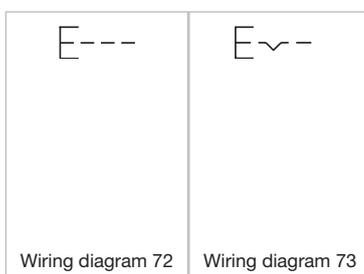
To obtain a complete unit, please select the red components from the pages shown.



Actuator, Front dimension 30 mm x 30 mm

| Switching action | Housing colour | Housing material | Part No.  | Wiring diagram |
|------------------|----------------|------------------|-----------|----------------|
| Momentary        | Black          | Plastic          | 704.731.0 | 72             |
|                  | Grey           | Plastic          | 704.731.1 | 72             |
| Maintained       | Black          | Plastic          | 704.732.0 | 73             |
|                  | Grey           | Plastic          | 704.732.1 | 73             |

## Wiring diagrams



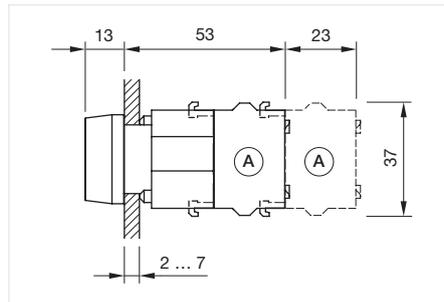
## Pushbutton round, IP65

### Equipment consisting of (schematic overview)

-  Front bezel Page 202
-  Lens Page 199
-  Marking Plate Page 201
-  Actuator
-  Bayonet flange Page 203
-  Switching element Page 213

Each Part Number listed below includes all the black components shown in the 3D-drawing.

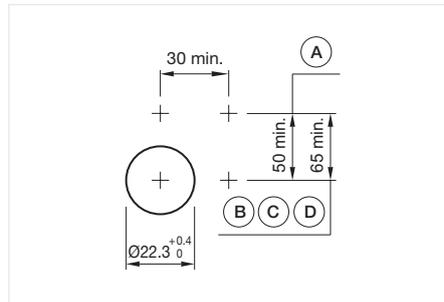
To obtain a complete unit, please select the red components from the pages shown.



Dimensions [mm]  
A = Screw terminal



Product can differ from the current configuration.



Mounting cut-outs [mm]  
A = Screw terminal  
B = Push-in terminal (PIT)  
C = Plug-in terminal 6.3 mm x 0.8 mm  
D = Double plug-in terminal 6.3 mm x 0.8 mm

### General information

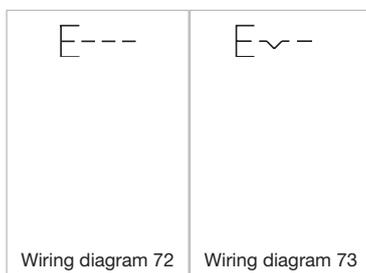
- Frontring with protective cover to be mounted with a torque of 0.4 Nm onto actuator
- Max. 3 switching elements can be clipped on



Actuator, Front dimension  $\varnothing$  29 mm

| Switching action | Housing colour | Housing material | Part No.  | Wiring diagram |
|------------------|----------------|------------------|-----------|----------------|
| Momentary        | Grey           | Plastic          | 704.631.1 | 72             |
| Maintained       | Grey           | Plastic          | 704.632.1 | 73             |

### Wiring diagrams

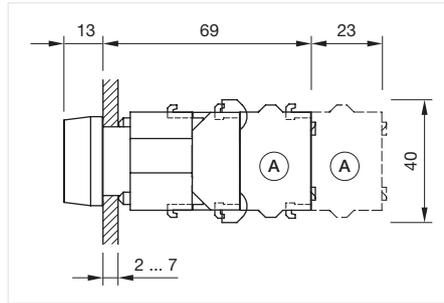


# 04 Raised design

## Illuminated pushbutton square, IP65



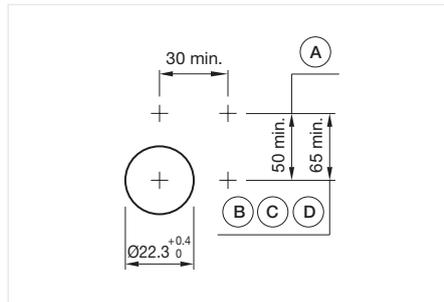
Product can differ from the current configuration.



Dimensions [mm]  
A = Screw terminal

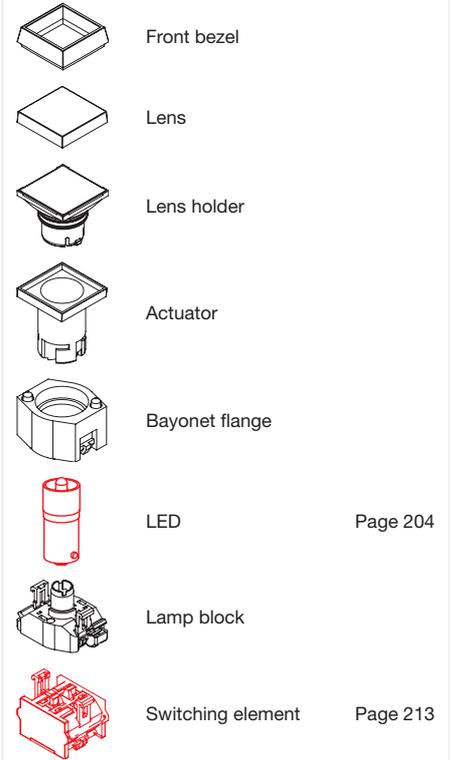
### General information

- Max. 3 switching elements can be clipped on



Mounting cut-outs [mm]  
A = Screw terminal  
B = Push-in terminal (PIT)  
C = Plug-in terminal 6.3 mm x 0.8 mm  
D = Double plug-in terminal 6.3 mm x 0.8 mm

### Equipment consisting of (schematic overview)



Each Part Number listed below includes all the black components shown in the 3D-drawing.

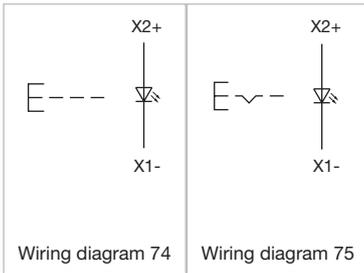
To obtain a complete unit, please select the red components from the pages shown.



### Actuator, Front dimension 30 mm x 30 mm

| Switching action | Front bezel colour | Front bezel material | Lens colour | Lens material | Housing colour | Housing material | Part No.  | Wiring diagram |
|------------------|--------------------|----------------------|-------------|---------------|----------------|------------------|-----------|----------------|
| Momentary        | Black              | Plastic              | Red         | Plastic       | Black          | Plastic          | 704.229.2 | 74             |
|                  | Black              | Plastic              | Yellow      | Plastic       | Black          | Plastic          | 704.229.4 | 74             |
|                  | Black              | Plastic              | Green       | Plastic       | Black          | Plastic          | 704.229.5 | 74             |
|                  | Black              | Plastic              | Blue        | Plastic       | Black          | Plastic          | 704.229.6 | 74             |
|                  | Black              | Plastic              | Colourless  | Plastic       | Black          | Plastic          | 704.229.7 | 74             |
|                  | Grey               | Plastic              | Red         | Plastic       | Black          | Plastic          | 704.230.2 | 74             |
|                  | Grey               | Plastic              | Yellow      | Plastic       | Black          | Plastic          | 704.230.4 | 74             |
|                  | Grey               | Plastic              | Green       | Plastic       | Black          | Plastic          | 704.230.5 | 74             |
|                  | Grey               | Plastic              | Blue        | Plastic       | Black          | Plastic          | 704.230.6 | 74             |
|                  | Grey               | Plastic              | Colourless  | Plastic       | Black          | Plastic          | 704.230.7 | 74             |
| Maintained       | Black              | Plastic              | Red         | Plastic       | Black          | Plastic          | 704.259.2 | 75             |
|                  | Black              | Plastic              | Yellow      | Plastic       | Black          | Plastic          | 704.259.4 | 75             |
|                  | Black              | Plastic              | Green       | Plastic       | Black          | Plastic          | 704.259.5 | 75             |
|                  | Black              | Plastic              | Blue        | Plastic       | Black          | Plastic          | 704.259.6 | 75             |
|                  | Black              | Plastic              | Colourless  | Plastic       | Black          | Plastic          | 704.259.7 | 75             |
|                  | Grey               | Plastic              | Red         | Plastic       | Black          | Plastic          | 704.260.2 | 75             |
|                  | Grey               | Plastic              | Yellow      | Plastic       | Black          | Plastic          | 704.260.4 | 75             |
|                  | Grey               | Plastic              | Green       | Plastic       | Black          | Plastic          | 704.260.5 | 75             |
|                  | Grey               | Plastic              | Blue        | Plastic       | Black          | Plastic          | 704.260.6 | 75             |
|                  | Grey               | Plastic              | Colourless  | Plastic       | Black          | Plastic          | 704.260.7 | 75             |

## Wiring diagrams



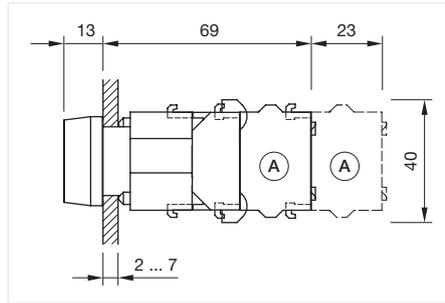
- 01
- 02
- 03
- 04**
- 09
- 14
- 17
- 18
- 19
- 22
- 31
- 41
- 45
- 51
- 56
- 57
- 61
- 70
- 71
- 82
- 84
- 92
- 96

# 04 Raised design

## Illuminated pushbutton round



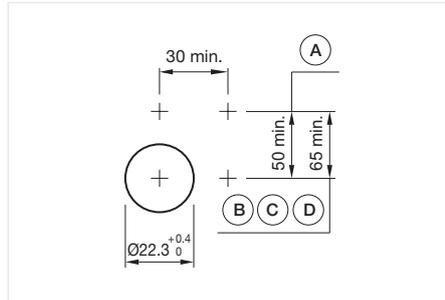
Product can differ from the current configuration.



Dimensions [mm]  
A = Screw terminal

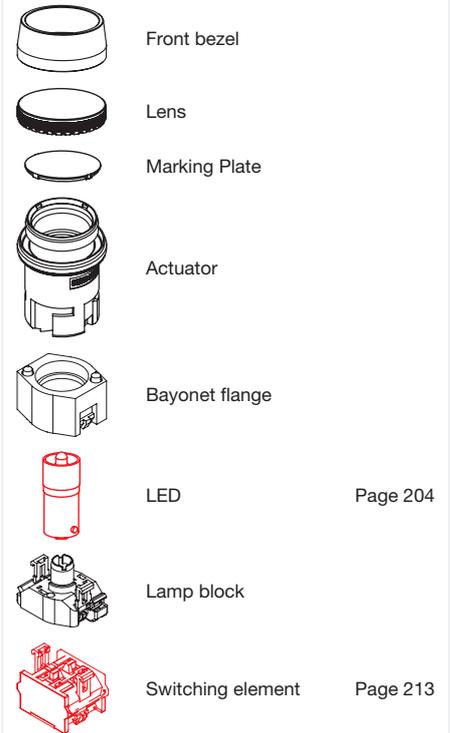
### General information

- Frontring with protective cover to be mounted with a torque of 0.4 Nm onto actuator
- Max. 3 switching elements can be clipped on
- The colour of anodised aluminium parts can vary due to technical production reasons



Mounting cut-outs [mm]  
A = Screw terminal  
B = Push-in terminal (PIT)  
C = Plug-in terminal 6.3 mm x 0.8 mm  
D = Double plug-in terminal 6.3 mm x 0.8 mm

### Equipment consisting of (schematic overview)



Each Part Number listed below includes all the black components shown in the 3D-drawing.

To obtain a complete unit, please select the red components from the pages shown.

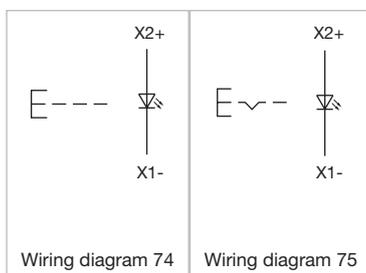


### Actuator, Front dimension Ø 29 mm

| Switching action | Front bezel colour | Front bezel material | Front bezel surface | Lens colour | Lens material | Housing colour | Housing material | Part No.  | Wiring diagram |    |
|------------------|--------------------|----------------------|---------------------|-------------|---------------|----------------|------------------|-----------|----------------|----|
| Momentary        | Black              | Plastic              |                     | Red         | Plastic       | Grey           | Plastic          | 704.029.2 | 74             |    |
|                  | Black              | Plastic              |                     | Yellow      | Plastic       | Grey           | Plastic          | 704.029.4 | 74             |    |
|                  | Black              | Plastic              |                     | Green       | Plastic       | Grey           | Plastic          | 704.029.5 | 74             |    |
|                  | Black              | Plastic              |                     | Blue        | Plastic       | Grey           | Plastic          | 704.029.6 | 74             |    |
|                  | Black              | Plastic              |                     | Colourless  | Plastic       | Grey           | Plastic          | 704.029.7 | 74             |    |
|                  | Grey               | Plastic              |                     | Red         | Plastic       | Grey           | Plastic          | 704.030.2 | 74             |    |
|                  | Grey               | Plastic              |                     | Yellow      | Plastic       | Grey           | Plastic          | 704.030.4 | 74             |    |
|                  | Grey               | Plastic              |                     | Green       | Plastic       | Grey           | Plastic          | 704.030.5 | 74             |    |
|                  | Grey               | Plastic              |                     | Blue        | Plastic       | Grey           | Plastic          | 704.030.6 | 74             |    |
|                  | Grey               | Plastic              |                     | Colourless  | Plastic       | Grey           | Plastic          | 704.030.7 | 74             |    |
|                  | Nature             | Aluminium            | anodised            |             | Red           | Plastic        | Grey             | Plastic   | 704.032.2      | 74 |
|                  | Nature             | Aluminium            | anodised            |             | Yellow        | Plastic        | Grey             | Plastic   | 704.032.4      | 74 |
| Nature           | Aluminium          | anodised             |                     | Green       | Plastic       | Grey           | Plastic          | 704.032.5 | 74             |    |
| Nature           | Aluminium          | anodised             |                     | Blue        | Plastic       | Grey           | Plastic          | 704.032.6 | 74             |    |
| Nature           | Aluminium          | anodised             |                     | Colourless  | Plastic       | Grey           | Plastic          | 704.032.7 | 74             |    |
| Nature           | Aluminium          | anodised             |                     | Red         | Plastic       | Grey           | Plastic          | 704.033.2 | 74             |    |

| Switching action | Front bezel colour | Front bezel material | Front bezel surface | Lens colour | Lens material | Housing colour | Housing material | Part No.  | Wiring diagram |
|------------------|--------------------|----------------------|---------------------|-------------|---------------|----------------|------------------|-----------|----------------|
| Momentary        | Nature             | Aluminium            | anodised            | Yellow      | Plastic       | Grey           | Plastic          | 704.033.4 | 74             |
|                  | Nature             | Aluminium            | anodised            | Green       | Plastic       | Grey           | Plastic          | 704.033.5 | 74             |
|                  | Nature             | Aluminium            | anodised            | Blue        | Plastic       | Grey           | Plastic          | 704.033.6 | 74             |
|                  | Nature             | Aluminium            | anodised            | Colour-less | Plastic       | Grey           | Plastic          | 704.033.7 | 74             |
| Maintained       | Black              | Plastic              |                     | Red         | Plastic       | Grey           | Plastic          | 704.059.2 | 75             |
|                  | Black              | Plastic              |                     | Yellow      | Plastic       | Grey           | Plastic          | 704.059.4 | 75             |
|                  | Black              | Plastic              |                     | Green       | Plastic       | Grey           | Plastic          | 704.059.5 | 75             |
|                  | Black              | Plastic              |                     | Colour-less | Plastic       | Grey           | Plastic          | 704.059.7 | 75             |
|                  | Grey               | Plastic              |                     | Red         | Plastic       | Grey           | Plastic          | 704.060.2 | 75             |
|                  | Grey               | Plastic              |                     | Yellow      | Plastic       | Grey           | Plastic          | 704.060.4 | 75             |
|                  | Grey               | Plastic              |                     | Green       | Plastic       | Grey           | Plastic          | 704.060.5 | 75             |
|                  | Grey               | Plastic              |                     | Blue        | Plastic       | Grey           | Plastic          | 704.060.6 | 75             |
|                  | Grey               | Plastic              |                     | Colour-less | Plastic       | Grey           | Plastic          | 704.060.7 | 75             |
|                  | Nature             | Aluminium            | anodised            | Red         | Plastic       | Grey           | Plastic          | 704.062.2 | 75             |
|                  | Nature             | Aluminium            | anodised            | Yellow      | Plastic       | Grey           | Plastic          | 704.062.4 | 75             |
|                  | Nature             | Aluminium            | anodised            | Green       | Plastic       | Grey           | Plastic          | 704.062.5 | 75             |
|                  | Nature             | Aluminium            | anodised            | Blue        | Plastic       | Grey           | Plastic          | 704.062.6 | 75             |
|                  | Nature             | Aluminium            | anodised            | Colour-less | Plastic       | Grey           | Plastic          | 704.062.7 | 75             |
|                  | Nature             | Aluminium            | anodised            | Red         | Plastic       | Grey           | Plastic          | 704.063.2 | 75             |
|                  | Nature             | Aluminium            | anodised            | Yellow      | Plastic       | Grey           | Plastic          | 704.063.4 | 75             |
|                  | Nature             | Aluminium            | anodised            | Green       | Plastic       | Grey           | Plastic          | 704.063.5 | 75             |
|                  | Nature             | Aluminium            | anodised            | Blue        | Plastic       | Grey           | Plastic          | 704.063.6 | 75             |
|                  | Nature             | Aluminium            | anodised            | Colour-less | Plastic       | Grey           | Plastic          | 704.063.7 | 75             |

## Wiring diagrams

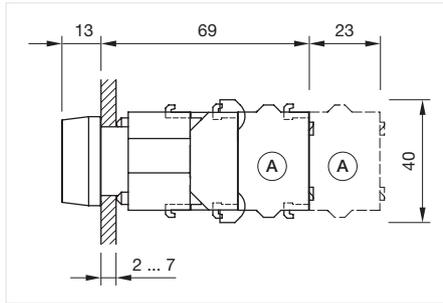


# 04 Raised design

## Illuminated pushbutton square, IP65



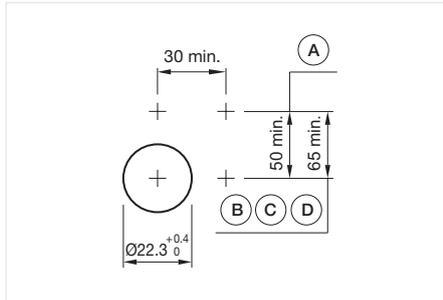
Product can differ from the current configuration.



Dimensions [mm]  
A = Screw terminal

### General information

- Frontring with protective cover to be mounted with a torque of 0.4 Nm onto actuator
- Max. 3 switching elements can be clipped on



Mounting cut-outs [mm]  
A = Screw terminal  
B = Push-in terminal (PIT)  
C = Plug-in terminal 6.3 mm x 0.8 mm  
D = Double plug-in terminal 6.3 mm x 0.8 mm

### Equipment consisting of (schematic overview)

|  |                   |          |
|--|-------------------|----------|
|  | Front bezel       | Page 202 |
|  | Lens              | Page 199 |
|  | Lens holder       | Page 201 |
|  | Actuator          |          |
|  | Bayonet flange    | Page 203 |
|  | LED               | Page 204 |
|  | Lamp block        | Page 210 |
|  | Switching element | Page 213 |

Each Part Number listed below includes all the black components shown in the 3D-drawing.

To obtain a complete unit, please select the red components from the pages shown.



Actuator, Front dimension 30 mm x 30 mm

| Switching action | Housing colour | Housing material | Part No.  | Wiring diagram |
|------------------|----------------|------------------|-----------|----------------|
| Momentary        | Black          | Plastic          | 704.731.0 | 72             |
|                  | Grey           | Plastic          | 704.731.1 | 72             |
| Maintained       | Black          | Plastic          | 704.732.0 | 73             |
|                  | Grey           | Plastic          | 704.732.1 | 73             |

## Wiring diagrams

|                   |                   |
|-------------------|-------------------|
|                   |                   |
| Wiring diagram 72 | Wiring diagram 73 |

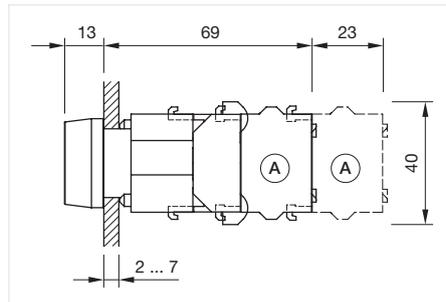
## Illuminated pushbutton round, IP65

### Equipment consisting of (schematic overview)

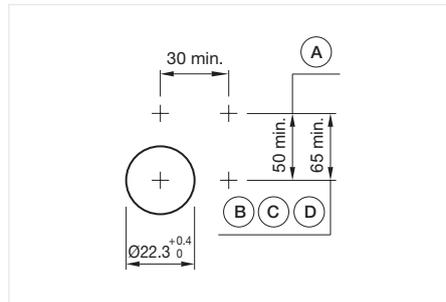
|  |                   |          |
|--|-------------------|----------|
|   | Front bezel       | Page 202 |
|   | Lens              | Page 199 |
|   | Marking Plate     | Page 201 |
|   | Actuator          |          |
|   | Bayonet flange    | Page 203 |
|   | LED               | Page 204 |
|   | Lamp block        | Page 210 |
|  | Switching element | Page 213 |

Each Part Number listed below includes all the black components shown in the 3D-drawing.

To obtain a complete unit, please select the red components from the pages shown.



Dimensions [mm]  
A = Screw terminal



Mounting cut-outs [mm]  
A = Screw terminal  
B = Push-in terminal (PIT)  
C = Plug-in terminal 6.3 mm x 0.8 mm  
D = Double plug-in terminal 6.3 mm x 0.8 mm



Product can differ from the current configuration.

### General information

- Frontring with protective cover to be mounted with a torque of 0.4 Nm onto actuator
- Max. 3 switching elements can be clipped on



Actuator, Front dimension Ø 29 mm

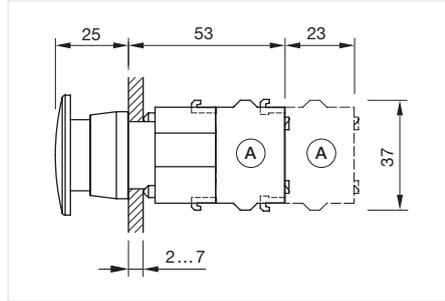
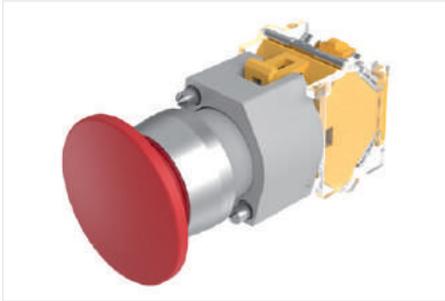
| Switching action | Housing colour | Housing material | Part No.  | Wiring diagram |
|------------------|----------------|------------------|-----------|----------------|
| Momentary        | Grey           | Plastic          | 704.631.1 | 72             |
| Maintained       | Grey           | Plastic          | 704.632.1 | 73             |

### Wiring diagrams

|                   |                   |
|-------------------|-------------------|
|                   |                   |
| Wiring diagram 72 | Wiring diagram 73 |

# 04 Raised design

## Mushroom-head pushbutton, IP65

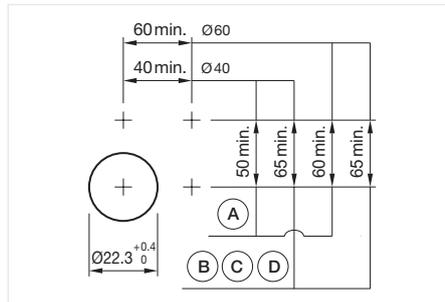


Product can differ from the current configuration.

Dimensions [mm]  
A = Screw terminal

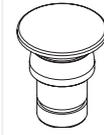
### General information

- Max. 3 switching elements can be clipped on
- The colour of anodised aluminium parts can vary due to technical production reasons

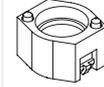


Mounting cut-outs [mm]  
A = Screw terminal  
B = Push-in terminal (PIT)  
C = Plug-in terminal 6.3 mm x 0.8 mm  
D = Double plug-in terminal 6.3 mm x 0.8 mm

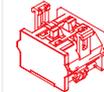
### Equipment consisting of (schematic overview)



Actuator



Bayonet flange



Switching element

Page 213

Each Part Number listed below includes all the black components shown in the 3D-drawing.

To obtain a complete unit, please select the red components from the pages shown.



### Actuator, Front dimension Ø 40 mm

| Switching action | Front bezel colour | Front bezel material | Front bezel surface | Lens colour | Lens material | Housing colour | Housing material | Part No.   | Wiring diagram |
|------------------|--------------------|----------------------|---------------------|-------------|---------------|----------------|------------------|------------|----------------|
| Momentary        | Grey               | Plastic              |                     | Black       | Plastic       | Grey           | Plastic          | 704.070.0  | 72             |
|                  | Grey               | Plastic              |                     | Red         | Plastic       | Grey           | Plastic          | 704.070.2  | 72             |
|                  | Grey               | Plastic              |                     | Yellow      | Plastic       | Grey           | Plastic          | 704.070.4  | 72             |
|                  | Grey               | Plastic              |                     | Green       | Plastic       | Grey           | Plastic          | 704.070.5  | 72             |
|                  | Nature             | Aluminium            | anodised            | Black       | Plastic       | Grey           | Plastic          | 704.071.0  | 72             |
|                  | Nature             | Aluminium            | anodised            | Red         | Plastic       | Grey           | Plastic          | 704.071.2  | 72             |
|                  | Nature             | Aluminium            | anodised            | Yellow      | Plastic       | Grey           | Plastic          | 704.071.4  | 72             |
|                  | Nature             | Aluminium            | anodised            | Green       | Plastic       | Grey           | Plastic          | 704.071.5  | 72             |
|                  | Nature             | Aluminium            | anodised            | Red         | Aluminium     | Grey           | Plastic          | 704.079.2  | 72             |
| Maintained       | Grey               | Plastic              |                     | Black       | Plastic       | Grey           | Plastic          | 704.072.0  | 73             |
|                  | Grey               | Plastic              |                     | Red         | Plastic       | Grey           | Plastic          | 704.072.2  | 73             |
|                  | Nature             | Aluminium            | anodised            | Black       | Plastic       | Grey           | Plastic          | 704.073.0  | 73             |
|                  | Nature             | Aluminium            | anodised            | Red         | Plastic       | Grey           | Plastic          | 704.073.2  | 73             |
|                  | Nature             | Aluminium            | anodised            | Yellow      | Plastic       | Grey           | Plastic          | 704.073.4  | 73             |
|                  | Nature             | Aluminium            | anodised            | Green       | Plastic       | Grey           | Plastic          | 704.073.5  | 73             |
|                  | Nature             | Aluminium            | anodised            | Red         | Aluminium     | Grey           | Plastic          | 704.075.21 | 73             |

## Wiring diagrams

|                   |                   |
|-------------------|-------------------|
| E---              | E~--              |
| Wiring diagram 72 | Wiring diagram 73 |

|           |
|-----------|
| 01        |
| 02        |
| 03        |
| <b>04</b> |
| 09        |
| 14        |
| 17        |
| 18        |
| 19        |
| 22        |
| 31        |
| 41        |
| 45        |
| 51        |
| 56        |
| 57        |
| 61        |
| 70        |
| 71        |
| 82        |
| 84        |
| 92        |
| 96        |



### Modern. Tactile and long-lasting. *Series 04 illuminated selector switches.*

Intuitive and reliable operation for enhanced safety in public transportation.

- Bright, single or bi-colour LED illumination
- Modern, ergonomic design
- Rounded edges (in accordance with DIN 5566-1)
- Excellent tactile feedback
- Long service life and robust construction
- Wide range of possible combinations and options

[www.eao.com](http://www.eao.com)

**eao** ■

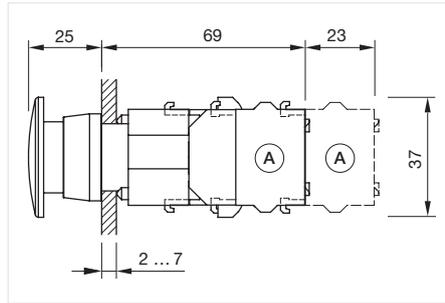
Your Expert Partner for Human Machine Interfaces

# 04 Raised design

## Mushroom-head pushbutton illuminated, IP65



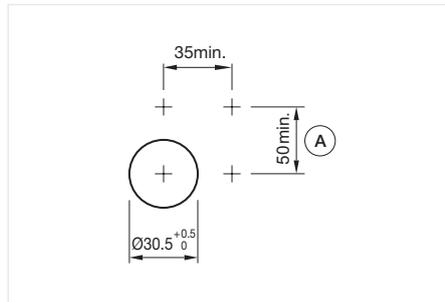
Product can differ from the current configuration.



Dimensions [mm]  
A = Screw terminal

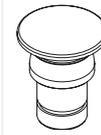
### General information

- Max. 3 switching elements can be clipped on
- The lamp block will be delivered with screw terminal

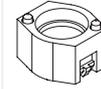


Mounting cut-outs [mm]  
A = Screw terminal

### Equipment consisting of (schematic overview)



Actuator

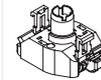


Bayonet flange

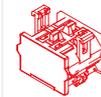


LED

Page 204



Lamp block



Switching element

Page 213

Each Part Number listed below includes all the black components shown in the 3D-drawing.

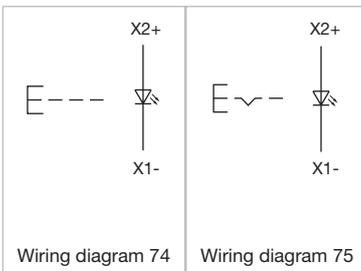
To obtain a complete unit, please select the red components from the pages shown.



### Actuator, Front dimension Ø 40 mm

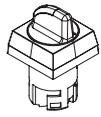
| Switching action | Front bezel colour | Front bezel material | Lens colour | Lens material | Housing colour | Housing material | Part No.  | Wiring diagram |
|------------------|--------------------|----------------------|-------------|---------------|----------------|------------------|-----------|----------------|
| Momentary        | Grey               | Plastic              | Red         | Plastic       | Grey           | Plastic          | 704.084.2 | 74             |
|                  | Grey               | Plastic              | Yellow      | Plastic       | Grey           | Plastic          | 704.084.4 | 74             |
|                  | Grey               | Plastic              | Green       | Plastic       | Grey           | Plastic          | 704.084.5 | 74             |
|                  | Grey               | Plastic              | Blue        | Plastic       | Grey           | Plastic          | 704.084.6 | 74             |
|                  | Grey               | Plastic              | Colourless  | Plastic       | Grey           | Plastic          | 704.084.7 | 74             |
| Maintained       | Grey               | Plastic              | Red         | Plastic       | Grey           | Plastic          | 704.086.2 | 75             |
|                  | Grey               | Plastic              | Yellow      | Plastic       | Grey           | Plastic          | 704.086.4 | 75             |
|                  | Grey               | Plastic              | Green       | Plastic       | Grey           | Plastic          | 704.086.5 | 75             |

### Wiring diagrams

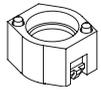


## Selector switch illuminated, 2 positions, short lever, square, IP65

### Equipment consisting of (schematic overview)



Actuator

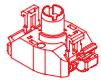


Bayonet flange



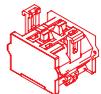
LED

Page 204



Lamp block

Page 210

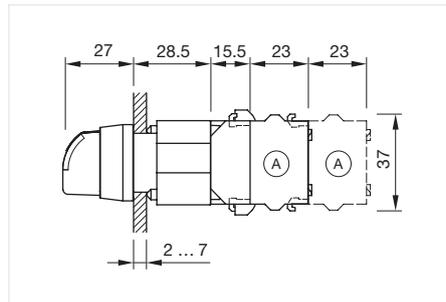


Switching element

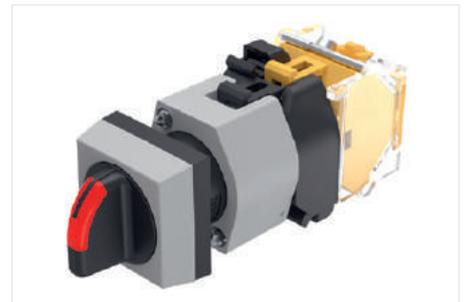
Page 213

Each Part Number listed below includes all the black components shown in the 3D-drawing.

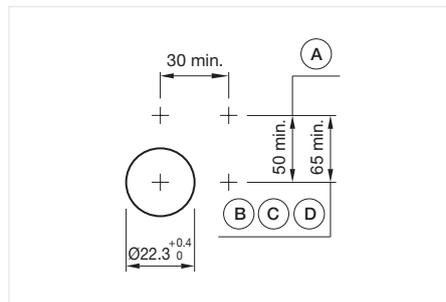
To obtain a complete unit, please select the red components from the pages shown.



Dimensions [mm]  
A = Screw terminal



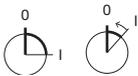
Product can differ from the current configuration.



Mounting cut-outs [mm]  
A = Screw terminal  
B = Push-in terminal (PIT)  
C = Plug-in terminal 6.3 mm x 0.8 mm  
D = Double plug-in terminal 6.3 mm x 0.8 mm

### General information

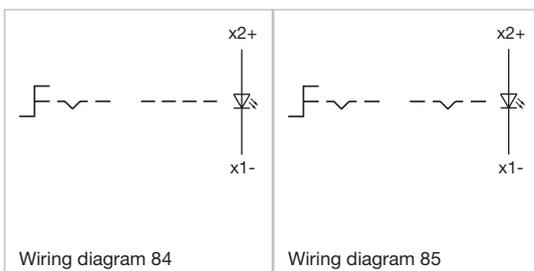
- Max. 3 switching elements can be clipped on



Actuator, Front dimension 30 mm x 30 mm

| Switching action  | Front bezel colour | Front bezel material | Switching angle | Part No.   | Wiring diagram |
|-------------------|--------------------|----------------------|-----------------|------------|----------------|
| Rest - Maintained | Grey               | Plastic              | 90° right       | 704.510.0i | 85             |
| Rest - Momentary  | Grey               | Plastic              | 42° right       | 704.512.0i | 84             |

### Wiring diagrams



Wiring diagram 84

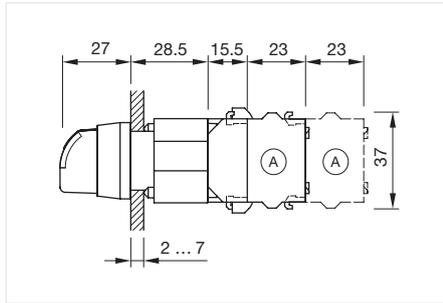
Wiring diagram 85

# 04 Raised design

## Selector switch illuminated, 2 positions, short lever, round, IP65



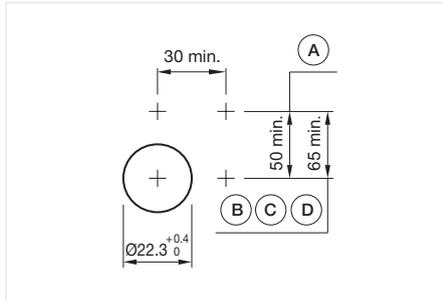
Product can differ from the current configuration.



Dimensions [mm]  
A = Screw terminal

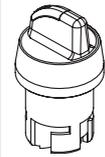
### General information

- Max. 3 switching elements can be clipped on
- The colour of anodised aluminium parts can vary due to technical production reasons

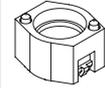


Mounting cut-outs [mm]  
A = Screw terminal  
B = Push-in terminal (PIT)  
C = Plug-in terminal 6.3 mm x 0.8 mm  
D = Double plug-in terminal 6.3 mm x 0.8 mm

### Equipment consisting of (schematic overview)



Actuator

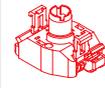


Bayonet flange



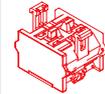
LED

Page 204



Lamp block

Page 210



Switching element

Page 213

Each Part Number listed below includes all the black components shown in the 3D-drawing.

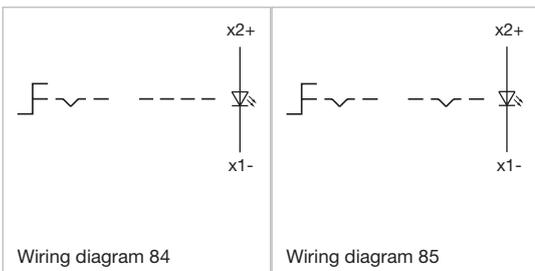
To obtain a complete unit, please select the red components from the pages shown.



Actuator, Front dimension Ø 29 mm

| Switching action  | Front bezel colour | Front bezel material | Switching angle           | Front bezel surface | Part No.   | Wiring diagram |
|-------------------|--------------------|----------------------|---------------------------|---------------------|------------|----------------|
| Rest - Maintained | Grey               | Plastic              | 90° right                 |                     | 704.410.0i | 85             |
|                   | Grey               | Plastic              | 90° right (-45° ... +45°) |                     | 704.410.1i | 85             |
|                   | Nature             | Aluminium            | 90° right                 | anodised            | 704.411.0i | 85             |
| Rest - Momentary  | Grey               | Plastic              | 42° right                 |                     | 704.412.0i | 84             |
|                   | Nature             | Aluminium            | 42° right                 | anodised            | 704.413.0i | 84             |

### Wiring diagrams

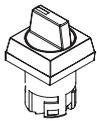


Wiring diagram 84

Wiring diagram 85

## Selector switch 2 positions, short lever, square, IP65

### Equipment consisting of (schematic overview)



Actuator



Bayonet flange

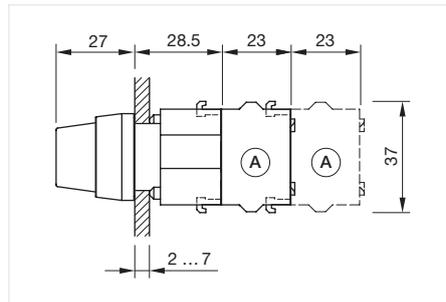


Switching element

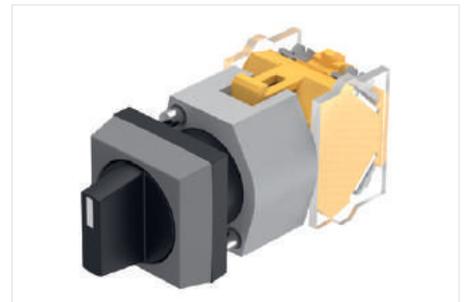
Page 213

Each Part Number listed below includes all the black components shown in the 3D-drawing.

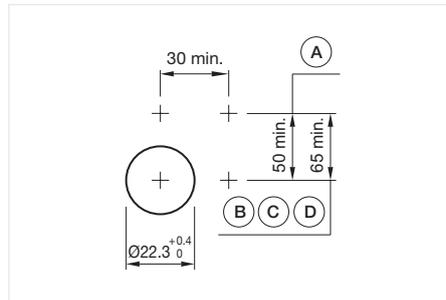
To obtain a complete unit, please select the red components from the pages shown.



Dimensions [mm]  
A = Screw terminal



Product can differ from the current configuration.



Mounting cut-outs [mm]  
A = Screw terminal  
B = Push-in terminal (PIT)  
C = Plug-in terminal 6.3 mm x 0.8 mm  
D = Double plug-in terminal 6.3 mm x 0.8 mm

### General information

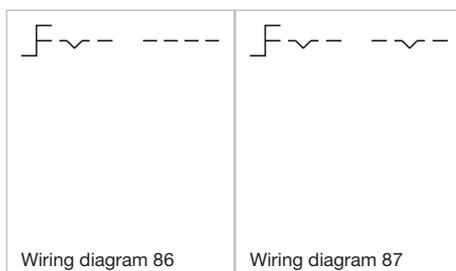
- Max. 3 switching elements can be clipped on



Actuator, Front dimension 30 mm x 30 mm

| Switching action  | Front bezel colour | Front bezel material | Switching angle | Part No.  | Wiring diagram |
|-------------------|--------------------|----------------------|-----------------|-----------|----------------|
| Rest - Maintained | Grey               | Plastic              | 90° right       | 704.510.0 | 87             |
| Rest - Momentary  | Grey               | Plastic              | 42° right       | 704.512.0 | 86             |

### Wiring diagrams

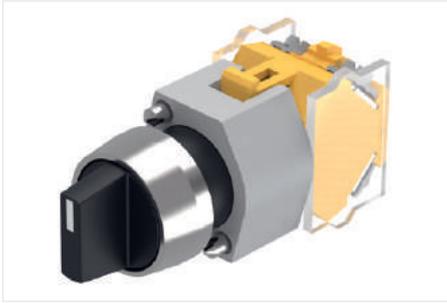


Wiring diagram 86

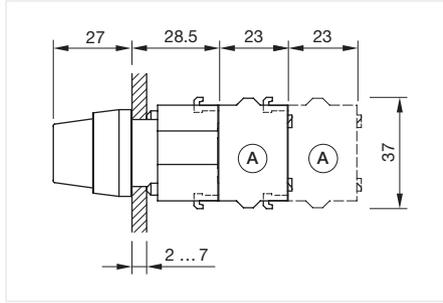
Wiring diagram 87

# 04 Raised design

## Selector switch 2 positions, short lever, round, IP65



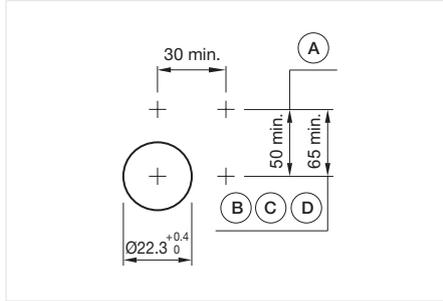
Product can differ from the current configuration.



Dimensions [mm]  
A = Screw terminal

### General information

- Max. 3 switching elements can be clipped on
- The colour of anodised aluminium parts can vary due to technical production reasons

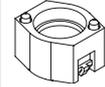


Mounting cut-outs [mm]  
A = Screw terminal  
B = Push-in terminal (PIT)  
C = Plug-in terminal 6.3 mm x 0.8 mm  
D = Double plug-in terminal 6.3 mm x 0.8 mm

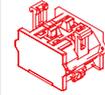
### Equipment consisting of (schematic overview)



Actuator



Bayonet flange

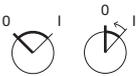


Switching element

Page 213

Each Part Number listed below includes all the black components shown in the 3D-drawing.

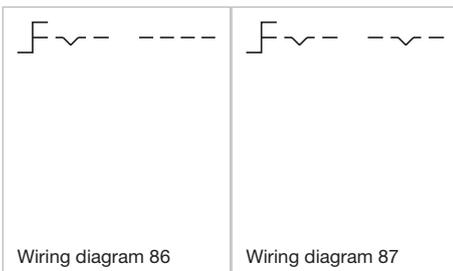
To obtain a complete unit, please select the red components from the pages shown.



Actuator, Front dimension Ø 29 mm

| Switching action  | Front bezel colour | Front bezel material | Switching angle | Front bezel surface | Part No.  | Wiring diagram |
|-------------------|--------------------|----------------------|-----------------|---------------------|-----------|----------------|
| Rest - Maintained | Grey               | Plastic              | 90° right       |                     | 704.410.0 | 87             |
|                   | Nature             | Aluminium            | 90° right       | anodised            | 704.411.0 | 87             |
| Rest - Momentary  | Grey               | Plastic              | 42° right       |                     | 704.412.0 | 86             |
|                   | Nature             | Aluminium            | 42° right       | anodised            | 704.413.0 | 86             |

## Wiring diagrams

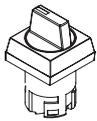


Wiring diagram 86

Wiring diagram 87

## Selector switch 2 positions, short lever, square, IP65

### Equipment consisting of (schematic overview)



Actuator



Bayonet flange

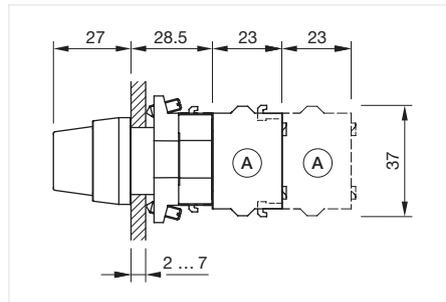


Switching element

Page 213

Each Part Number listed below includes all the black components shown in the 3D-drawing.

To obtain a complete unit, please select the red components from the pages shown.



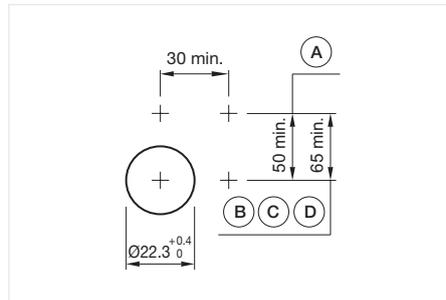
Dimensions [mm]  
A = Screw terminal



Product can differ from the current configuration.

### General information

- Max. 3 switching elements can be clipped on



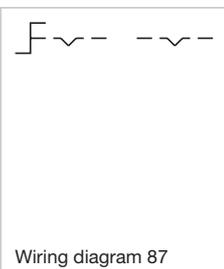
Mounting cut-outs [mm]  
A = Screw terminal  
B = Push-in terminal (PIT)  
C = Plug-in terminal 6.3 mm x 0.8 mm  
D = Double plug-in terminal 6.3 mm x 0.8 mm



Actuator, Front dimension 30 mm x 30 mm

| Switching action  | Front bezel colour | Front bezel material | Switching angle | Part No.     | Wiring diagram |
|-------------------|--------------------|----------------------|-----------------|--------------|----------------|
| Rest - Maintained | Grey               | Plastic              | 90° right       | 704.510.0.12 | 87             |

## Wiring diagrams



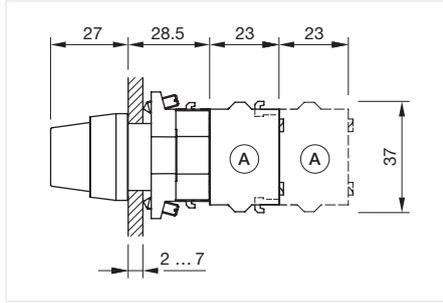
Wiring diagram 87

# 04 Raised design

## Selector switch 2 positions, short lever, round, IP65



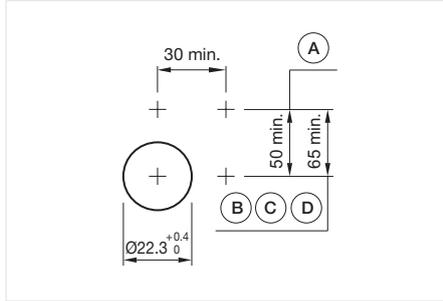
Product can differ from the current configuration.



Dimensions [mm]  
A = Screw terminal

### General information

- Max. 3 switching elements can be clipped on
- The colour of anodised aluminium parts can vary due to technical production reasons



Mounting cut-outs [mm]  
A = Screw terminal  
B = Push-in terminal (PIT)  
C = Plug-in terminal 6.3 mm x 0.8 mm  
D = Double plug-in terminal 6.3 mm x 0.8 mm

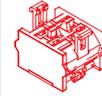
### Equipment consisting of (schematic overview)



Actuator



Bayonet flange



Switching element

Page 213

Each Part Number listed below includes all the black components shown in the 3D-drawing.

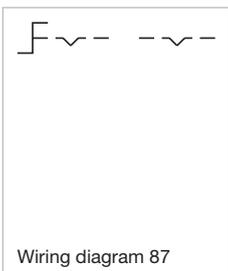
To obtain a complete unit, please select the red components from the pages shown.



Actuator, Front dimension  $\varnothing$  29 mm

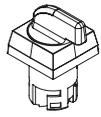
| Switching action  | Front bezel colour | Front bezel material | Switching angle | Front bezel surface | Part No.      | Wiring diagram |
|-------------------|--------------------|----------------------|-----------------|---------------------|---------------|----------------|
| Rest - Maintained | Grey               | Plastic              | 90° right       |                     | 704.410.0.12  | 87             |
|                   | Nature             | Aluminium            | 90° right       | anodised            | 704.411.0.12  | 87             |
|                   | Nature             | Aluminium            | 90° right       | anodised            | 704.411.0B.12 | 87             |

### Wiring diagrams

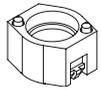


## Selector switch illuminated, 2 positions, long lever, square, IP65

### Equipment consisting of (schematic overview)



Actuator

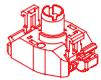


Bayonet flange



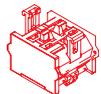
LED

Page 204



Lamp block

Page 210

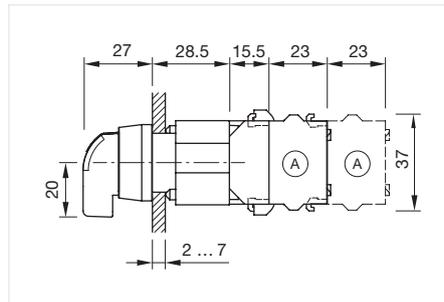


Switching element

Page 213

Each Part Number listed below includes all the black components shown in the 3D-drawing.

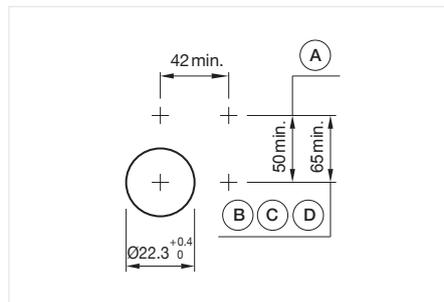
To obtain a complete unit, please select the red components from the pages shown.



Dimensions [mm]  
A = Screw terminal



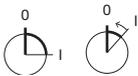
Product can differ from the current configuration.



Mounting cut-outs [mm]  
A = Screw terminal  
B = Push-in terminal (PIT)  
C = Plug-in terminal 6.3 mm x 0.8 mm  
D = Double plug-in terminal 6.3 mm x 0.8 mm

### General information

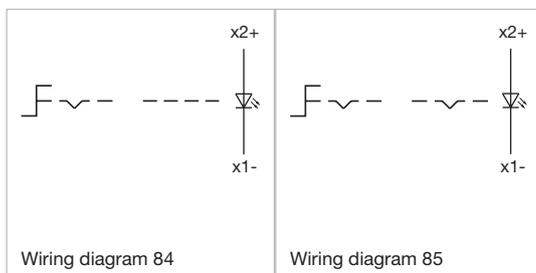
- Max. 3 switching elements can be clipped on



Actuator, Front dimension 30 mm x 30 mm

| Switching action  | Front bezel colour | Front bezel material | Switching angle | Part No.   | Wiring diagram |
|-------------------|--------------------|----------------------|-----------------|------------|----------------|
| Rest - Maintained | Grey               | Plastic              | 90° right       | 704.300.0i | 85             |
| Rest - Momentary  | Grey               | Plastic              | 42° right       | 704.302.0i | 84             |

### Wiring diagrams

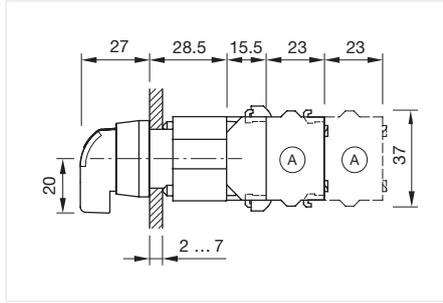


# 04 Raised design

## Selector switch illuminated, 2 positions, long lever, round, IP65



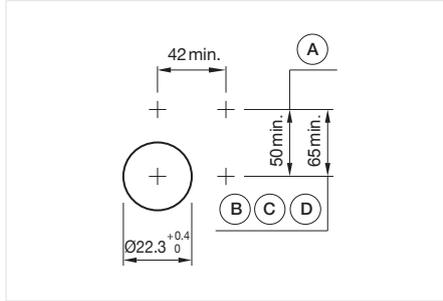
Product can differ from the current configuration.



Dimensions [mm]  
A = Screw terminal

### General information

- Max. 3 switching elements can be clipped on
- The colour of anodised aluminium parts can vary due to technical production reasons



Mounting cut-outs [mm]  
A = Screw terminal  
B = Push-in terminal (PIT)  
C = Plug-in terminal 6.3 mm x 0.8 mm  
D = Double plug-in terminal 6.3 mm x 0.8 mm

### Equipment consisting of (schematic overview)



Actuator

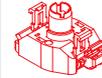


Bayonet flange



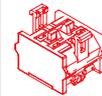
LED

Page 204



Lamp block

Page 210

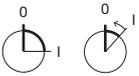


Switching element

Page 213

Each Part Number listed below includes all the black components shown in the 3D-drawing.

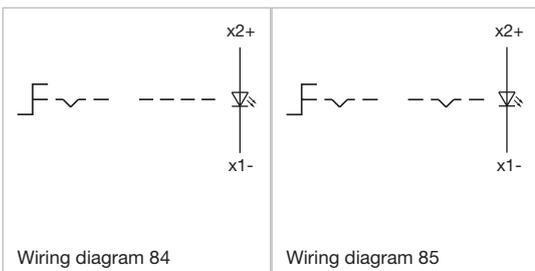
To obtain a complete unit, please select the red components from the pages shown.



Actuator, Front dimension Ø 29 mm

| Switching action  | Front bezel colour | Front bezel material | Switching angle | Front bezel surface | Part No.   | Wiring diagram |
|-------------------|--------------------|----------------------|-----------------|---------------------|------------|----------------|
| Rest - Maintained | Grey               | Plastic              | 90° right       |                     | 704.100.0i | 85             |
|                   | Nature             | Aluminium            | 90° right       | anodised            | 704.101.0i | 85             |
| Rest - Momentary  | Grey               | Plastic              | 42° right       |                     | 704.102.0i | 84             |
|                   | Nature             | Aluminium            | 42° right       | anodised            | 704.103.0i | 84             |

### Wiring diagrams

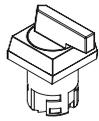


Wiring diagram 84

Wiring diagram 85

## Selector switch 2 positions, long lever, square, IP65

### Equipment consisting of (schematic overview)



Actuator



Bayonet flange

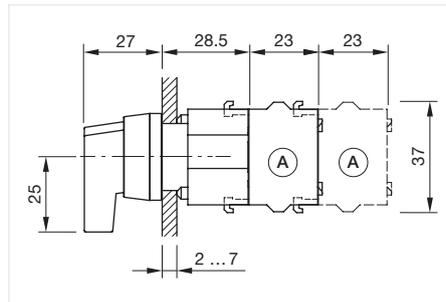


Switching element

Page 213

Each Part Number listed below includes all the black components shown in the 3D-drawing.

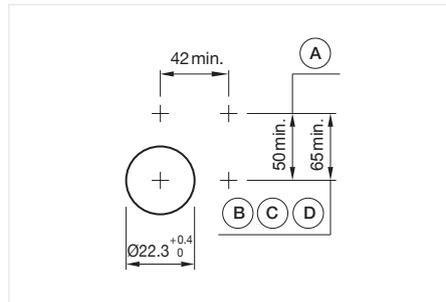
To obtain a complete unit, please select the red components from the pages shown.



Dimensions [mm]  
A = Screw terminal



Product can differ from the current configuration.



Mounting cut-outs [mm]  
A = Screw terminal  
B = Push-in terminal (PIT)  
C = Plug-in terminal 6.3 mm x 0.8 mm  
D = Double plug-in terminal 6.3 mm x 0.8 mm

### General information

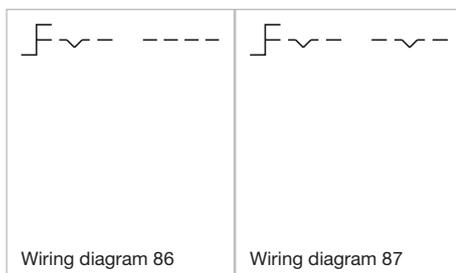
- Max. 3 switching elements can be clipped on



Actuator, Front dimension 30 mm x 30 mm

| Switching action  | Front bezel colour | Front bezel material | Switching angle | Part No.  | Wiring diagram |
|-------------------|--------------------|----------------------|-----------------|-----------|----------------|
| Rest - Maintained | Grey               | Plastic              | 90° right       | 704.300.0 | 87             |
| Rest - Momentary  | Grey               | Plastic              | 42° right       | 704.302.0 | 86             |

### Wiring diagrams

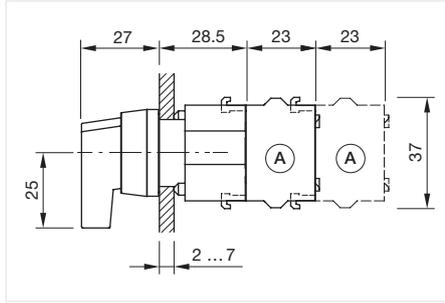


# 04 Raised design

## Selector switch 2 positions, long lever, round, IP65



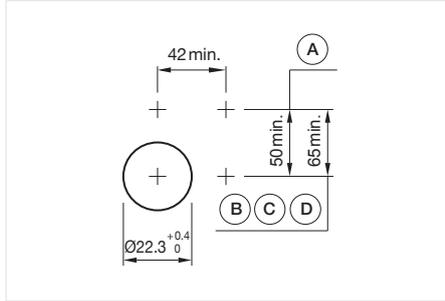
Product can differ from the current configuration.



Dimensions [mm]  
A = Screw terminal

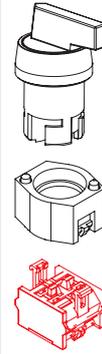
### General information

- Max. 3 switching elements can be clipped on
- The colour of anodised aluminium parts can vary due to technical production reasons



Mounting cut-outs [mm]  
A = Screw terminal  
B = Push-in terminal (PIT)  
C = Plug-in terminal 6.3 mm x 0.8 mm  
D = Double plug-in terminal 6.3 mm x 0.8 mm

### Equipment consisting of (schematic overview)



Actuator

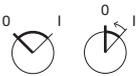
Bayonet flange

Switching element

Page 213

Each Part Number listed below includes all the black components shown in the 3D-drawing.

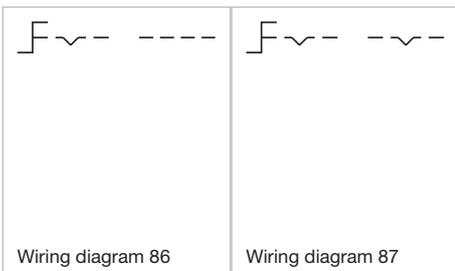
To obtain a complete unit, please select the red components from the pages shown.



Actuator, Front dimension Ø 29 mm

| Switching action  | Front bezel colour | Front bezel material | Switching angle | Front bezel surface | Part No.  | Wiring diagram |
|-------------------|--------------------|----------------------|-----------------|---------------------|-----------|----------------|
| Rest - Maintained | Grey               | Plastic              | 90° right       |                     | 704.100.0 | 87             |
|                   | Nature             | Aluminium            | 90° right       | anodised            | 704.101.0 | 87             |
| Rest - Momentary  | Grey               | Plastic              | 42° right       |                     | 704.102.0 | 86             |
|                   | Nature             | Aluminium            | 42° right       | anodised            | 704.103.0 | 86             |

### Wiring diagrams

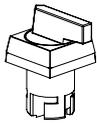


Wiring diagram 86

Wiring diagram 87

## Selector switch 2 positions, long lever, square, IP65

### Equipment consisting of (schematic overview)



Actuator



Bayonet flange

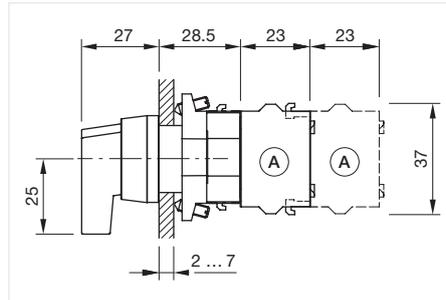


Switching element

Page 213

Each Part Number listed below includes all the black components shown in the 3D-drawing.

To obtain a complete unit, please select the red components from the pages shown.



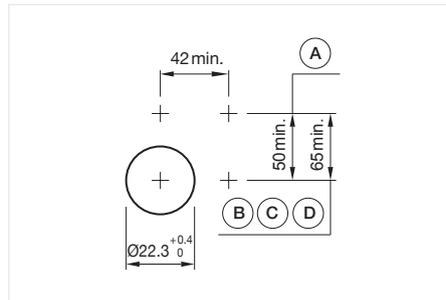
Dimensions [mm]  
A = Screw terminal



Product can differ from the current configuration.

### General information

- Max. 3 switching elements can be clipped on



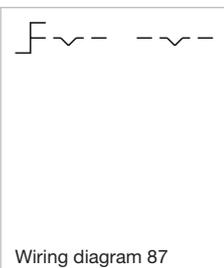
Mounting cut-outs [mm]  
A = Screw terminal  
B = Push-in terminal (PIT)  
C = Plug-in terminal 6.3 mm x 0.8 mm  
D = Double plug-in terminal 6.3 mm x 0.8 mm



Actuator, Front dimension 30 mm x 30 mm

| Switching action  | Front bezel colour | Front bezel material | Switching angle | Part No.     | Wiring diagram |
|-------------------|--------------------|----------------------|-----------------|--------------|----------------|
| Rest - Maintained | Grey               | Plastic              | 90° right       | 704.300.0.12 | 87             |

### Wiring diagrams

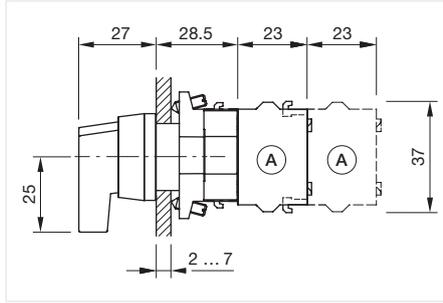


# 04 Raised design

## Selector switch 2 positions, long lever, round, IP65



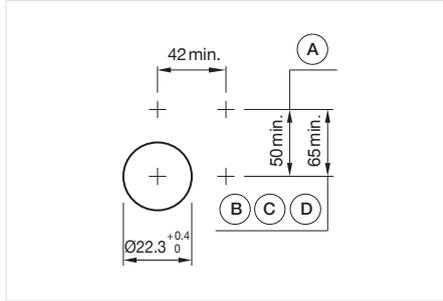
Product can differ from the current configuration.



Dimensions [mm]  
A = Screw terminal

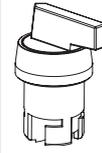
### General information

- Max. 3 switching elements can be clipped on
- The colour of anodised aluminium parts can vary due to technical production reasons

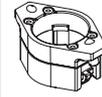


Mounting cut-outs [mm]  
A = Screw terminal  
B = Push-in terminal (PIT)  
C = Plug-in terminal 6.3 mm x 0.8 mm  
D = Double plug-in terminal 6.3 mm x 0.8 mm

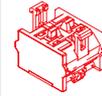
### Equipment consisting of (schematic overview)



Actuator



Bayonet flange



Switching element

Page 213

Each Part Number listed below includes all the black components shown in the 3D-drawing.

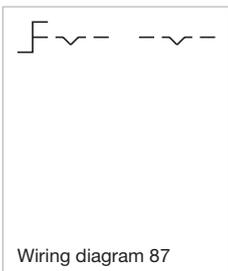
To obtain a complete unit, please select the red components from the pages shown.



Actuator, Front dimension Ø 29 mm

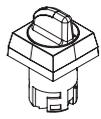
| Switching action  | Front bezel colour | Front bezel material | Switching angle | Front bezel surface | Part No.     | Wiring diagram |
|-------------------|--------------------|----------------------|-----------------|---------------------|--------------|----------------|
| Rest - Maintained | Grey               | Plastic              | 90° right       |                     | 704.100.0.12 | 87             |
|                   | Nature             | Aluminium            | 90° right       | anodised            | 704.101.0.12 | 87             |

### Wiring diagrams

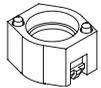


## Selector switch illuminated, 3 positions, short lever, square, IP65

### Equipment consisting of (schematic overview)



Actuator

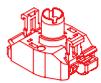


Bayonet flange



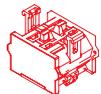
LED

Page 204



Lamp block

Page 210

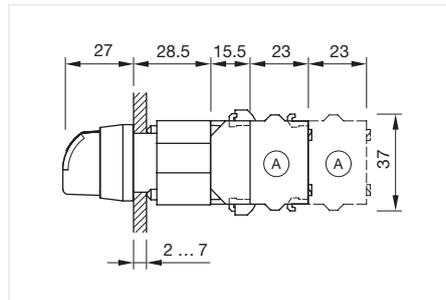


Switching element

Page 213

Each Part Number listed below includes all the black components shown in the 3D-drawing.

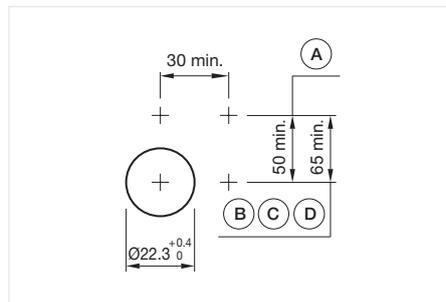
To obtain a complete unit, please select the red components from the pages shown.



Dimensions [mm]  
A = Screw terminal



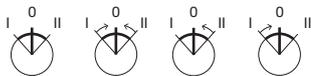
Product can differ from the current configuration.



Mounting cut-outs [mm]  
A = Screw terminal  
B = Push-in terminal (PIT)  
C = Plug-in terminal 6.3 mm x 0.8 mm  
D = Double plug-in terminal 6.3 mm x 0.8 mm

### General information

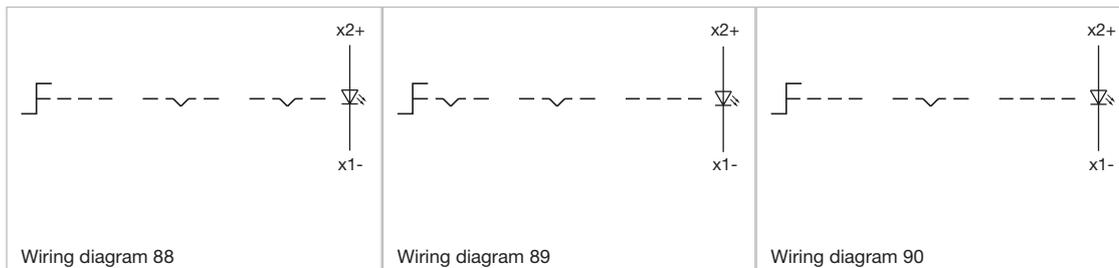
- Max. 3 switching elements can be clipped on



Actuator, Front dimension 30 mm x 30 mm

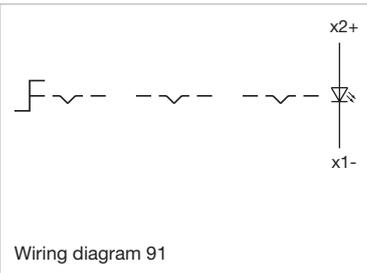
| Switching action               | Front bezel colour | Front bezel material | Switching angle      | Part No.   | Wiring diagram |
|--------------------------------|--------------------|----------------------|----------------------|------------|----------------|
| Maintained - Rest - Maintained | Grey               | Plastic              | 42° left / 42° right | 704.502.0i | 91             |
| Momentary - Rest - Momentary   | Grey               | Plastic              | 42° left / 42° right | 704.504.0i | 90             |
| Maintained - Rest - Momentary  | Grey               | Plastic              | 42° left / 42° right | 704.506.0i | 89             |
| Momentary - Rest - Maintained  | Grey               | Plastic              | 42° left / 42° right | 704.508.0i | 88             |

### Wiring diagrams



# 04 Raised design

## Wiring diagrams



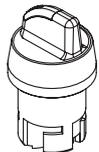
EAO Downloads.  
[www.eao.com/downloads](http://www.eao.com/downloads)  
*EAO creates possibilities. Since 1947.*



[On our website you can download technical data, assembly instructions, catalogs, brochures and much more.](http://www.eao.com/downloads)

## Selector switch illuminated, 3 positions, short lever, round, IP65

### Equipment consisting of (schematic overview)



Actuator



Bayonet flange



LED

Page 204



Lamp block

Page 210

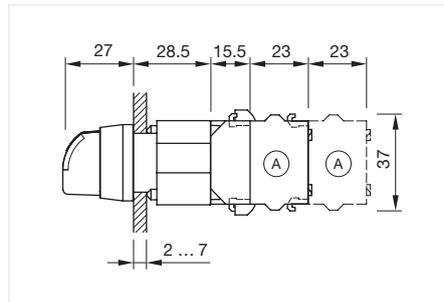


Switching element

Page 213

Each Part Number listed below includes all the black components shown in the 3D-drawing.

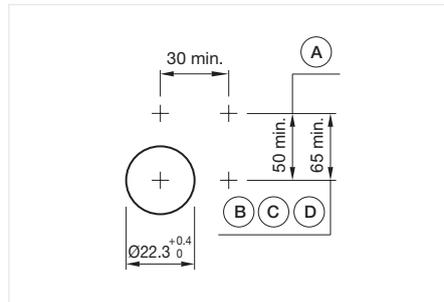
To obtain a complete unit, please select the red components from the pages shown.



Dimensions [mm]  
A = Screw terminal



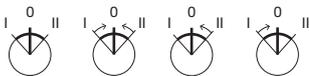
Product can differ from the current configuration.



Mounting cut-outs [mm]  
A = Screw terminal  
B = Push-in terminal (PIT)  
C = Plug-in terminal 6.3 mm x 0.8 mm  
D = Double plug-in terminal 6.3 mm x 0.8 mm

### General information

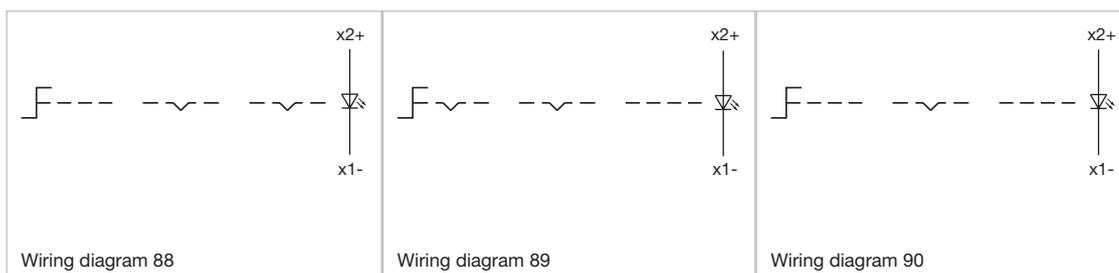
- Max. 3 switching elements can be clipped on
- The colour of anodised aluminium parts can vary due to technical production reasons



Actuator, Front dimension Ø 29 mm

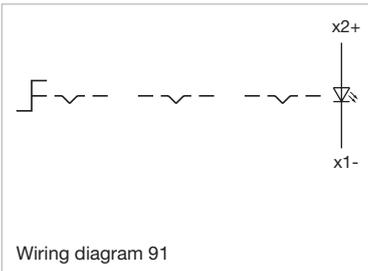
| Switching action               | Front bezel colour | Front bezel material | Switching angle      | Front bezel surface | Part No.   | Wiring diagram |
|--------------------------------|--------------------|----------------------|----------------------|---------------------|------------|----------------|
| Maintained - Rest - Maintained | Grey               | Plastic              | 42° left / 42° right |                     | 704.402.0i | 91             |
|                                | Nature             | Aluminium            | 42° left / 42° right | anodised            | 704.403.0i | 91             |
| Momentary - Rest - Momentary   | Grey               | Plastic              | 42° left / 42° right |                     | 704.404.0i | 90             |
|                                | Nature             | Aluminium            | 42° left / 42° right | anodised            | 704.405.0i | 90             |
| Maintained - Rest - Momentary  | Grey               | Plastic              | 42° left / 42° right |                     | 704.406.0i | 89             |
|                                | Nature             | Aluminium            | 42° left / 42° right | anodised            | 704.407.0i | 89             |
| Momentary - Rest - Maintained  | Grey               | Plastic              | 42° left / 42° right |                     | 704.408.0i | 88             |
|                                | Nature             | Aluminium            | 42° left / 42° right | anodised            | 704.409.0i | 88             |

### Wiring diagrams



# 04 Raised design

## Wiring diagrams



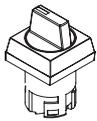
Modern. Tactile and long-lasting.  
*Series 04 illuminated selector switches.*

Intuitive and reliable operation for enhanced safety in public transportation.

- Bright, single or bi-colour LED illumination
- Modern, ergonomic design
- Rounded edges (in accordance with DIN 5566-1)
- Excellent tactile feedback
- Long service life and robust construction
- Wide range of possible combinations and options

## Selector switch 3 positions, short lever, square, IP65

### Equipment consisting of (schematic overview)



Actuator



Bayonet flange

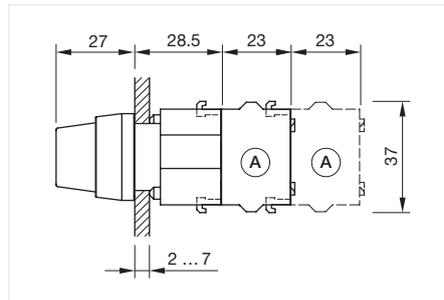


Switching element

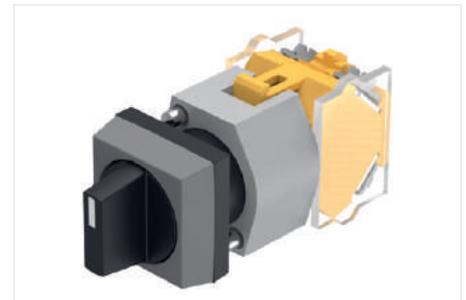
Page 213

Each Part Number listed below includes all the black components shown in the 3D-drawing.

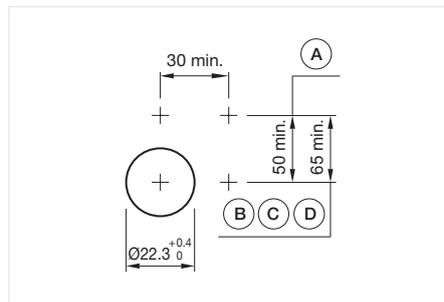
To obtain a complete unit, please select the red components from the pages shown.



Dimensions [mm]  
A = Screw terminal



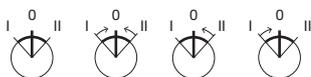
Product can differ from the current configuration.



Mounting cut-outs [mm]  
A = Screw terminal  
B = Push-in terminal (PIT)  
C = Plug-in terminal 6.3 mm x 0.8 mm  
D = Double plug-in terminal 6.3 mm x 0.8 mm

### General information

- Max. 3 switching elements can be clipped on



Actuator, Front dimension 30 mm x 30 mm

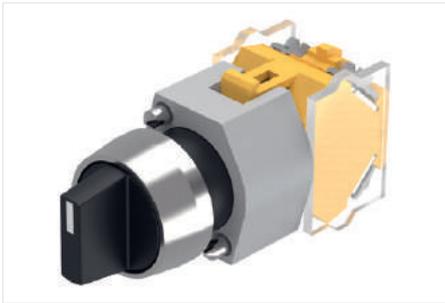
| Switching action               | Front bezel colour | Front bezel material | Switching angle      | Part No.  | Wiring diagram |
|--------------------------------|--------------------|----------------------|----------------------|-----------|----------------|
| Maintained - Rest - Maintained | Grey               | Plastic              | 42° left / 42° right | 704.502.0 | 95             |
| Momentary - Rest - Momentary   | Grey               | Plastic              | 42° left / 42° right | 704.504.0 | 94             |
| Maintained - Rest - Momentary  | Grey               | Plastic              | 42° left / 42° right | 704.506.0 | 93             |
| Momentary - Rest - Maintained  | Grey               | Plastic              | 42° left / 42° right | 704.508.0 | 92             |

### Wiring diagrams

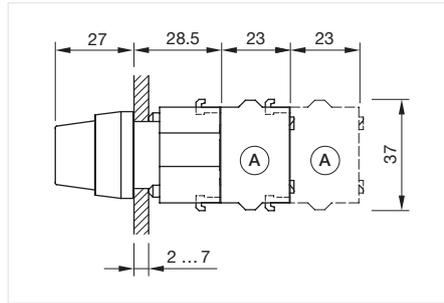
|                          |                          |                          |                          |
|--------------------------|--------------------------|--------------------------|--------------------------|
| <p>Wiring diagram 92</p> | <p>Wiring diagram 93</p> | <p>Wiring diagram 94</p> | <p>Wiring diagram 95</p> |
|--------------------------|--------------------------|--------------------------|--------------------------|

# 04 Raised design

## Selector switch 3 positions, short lever, round, IP65



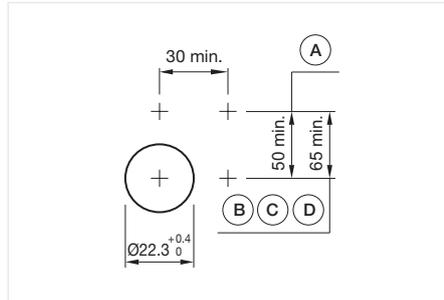
Product can differ from the current configuration.



Dimensions [mm]  
A = Screw terminal

### General information

- Max. 3 switching elements can be clipped on
- The colour of anodised aluminium parts can vary due to technical production reasons

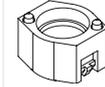


Mounting cut-outs [mm]  
A = Screw terminal  
B = Push-in terminal (PIT)  
C = Plug-in terminal 6.3 mm x 0.8 mm  
D = Double plug-in terminal 6.3 mm x 0.8 mm

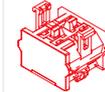
### Equipment consisting of (schematic overview)



Actuator



Bayonet flange

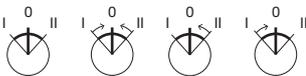


Switching element

Page 213

Each Part Number listed below includes all the black components shown in the 3D-drawing.

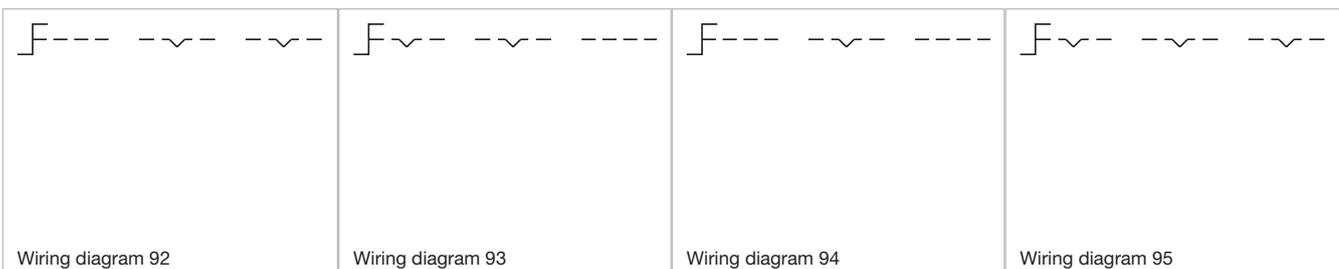
To obtain a complete unit, please select the red components from the pages shown.



Actuator, Front dimension Ø 29 mm

| Switching action               | Front bezel colour | Front bezel material | Switching angle      | Front bezel surface | Part No.  | Wiring diagram |
|--------------------------------|--------------------|----------------------|----------------------|---------------------|-----------|----------------|
| Maintained - Rest - Maintained | Grey               | Plastic              | 42° left / 42° right |                     | 704.402.0 | 95             |
|                                | Nature             | Aluminium            | 42° left / 42° right | anodised            | 704.403.0 | 95             |
| Momentary - Rest - Momentary   | Grey               | Plastic              | 42° left / 42° right |                     | 704.404.0 | 94             |
|                                | Nature             | Aluminium            | 42° left / 42° right | anodised            | 704.405.0 | 94             |
| Maintained - Rest - Momentary  | Grey               | Plastic              | 42° left / 42° right |                     | 704.406.0 | 93             |
|                                | Nature             | Aluminium            | 42° left / 42° right | anodised            | 704.407.0 | 93             |
| Momentary - Rest - Maintained  | Grey               | Plastic              | 42° left / 42° right |                     | 704.408.0 | 92             |
|                                | Nature             | Aluminium            | 42° left / 42° right | anodised            | 704.409.0 | 92             |

### Wiring diagrams



Wiring diagram 92

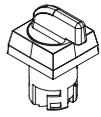
Wiring diagram 93

Wiring diagram 94

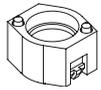
Wiring diagram 95

## Selector switch illuminated, 3 positions, long lever, square, IP65

### Equipment consisting of (schematic overview)



Actuator

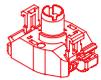


Bayonet flange



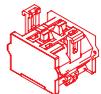
LED

Page 204



Lamp block

Page 210

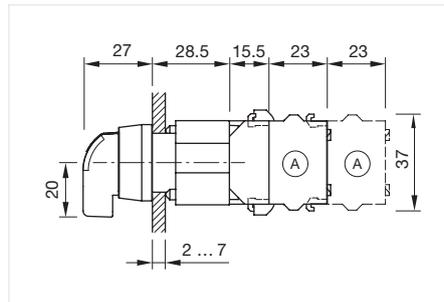


Switching element

Page 213

Each Part Number listed below includes all the black components shown in the 3D-drawing.

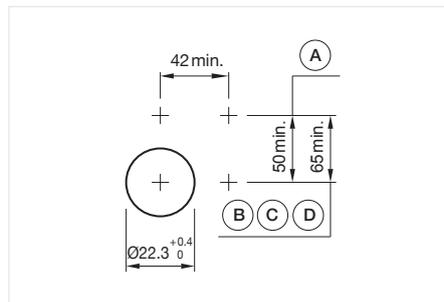
To obtain a complete unit, please select the red components from the pages shown.



Dimensions [mm]  
A = Screw terminal



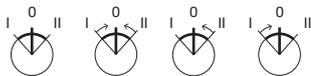
Product can differ from the current configuration.



Mounting cut-outs [mm]  
A = Screw terminal  
B = Push-in terminal (PIT)  
C = Plug-in terminal 6.3 mm x 0.8 mm  
D = Double plug-in terminal 6.3 mm x 0.8 mm

### General information

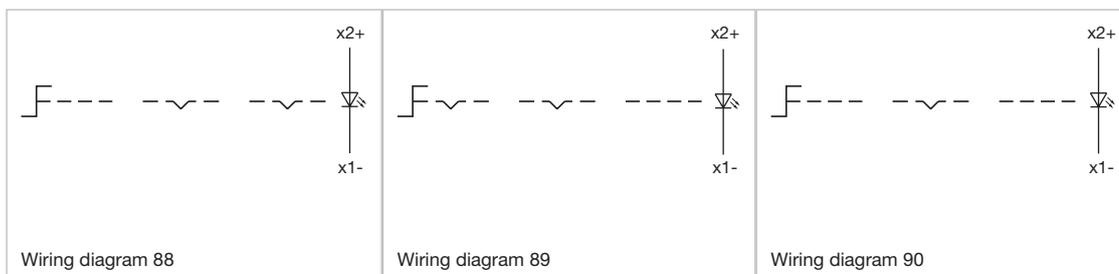
- Max. 3 switching elements can be clipped on



Actuator, Front dimension 30 mm x 30 mm

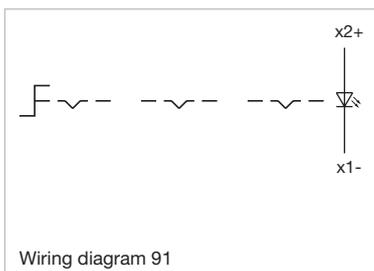
| Switching action               | Front bezel colour | Front bezel material | Switching angle      | Part No.   | Wiring diagram |
|--------------------------------|--------------------|----------------------|----------------------|------------|----------------|
| Maintained - Rest - Maintained | Grey               | Plastic              | 42° left / 42° right | 704.292.0i | 91             |
| Momentary - Rest - Momentary   | Grey               | Plastic              | 42° left / 42° right | 704.294.0i | 90             |
| Maintained - Rest - Momentary  | Grey               | Plastic              | 42° left / 42° right | 704.296.0i | 89             |
| Momentary - Rest - Maintained  | Grey               | Plastic              | 42° left / 42° right | 704.298.0i | 88             |

### Wiring diagrams



# 04 Raised design

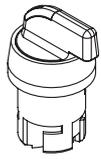
## Wiring diagrams



Wiring diagram 91

## Selector switch illuminated, 3 positions, long lever, round, IP65

### Equipment consisting of (schematic overview)



Actuator

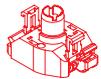


Bayonet flange



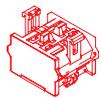
LED

Page 204



Lamp block

Page 210

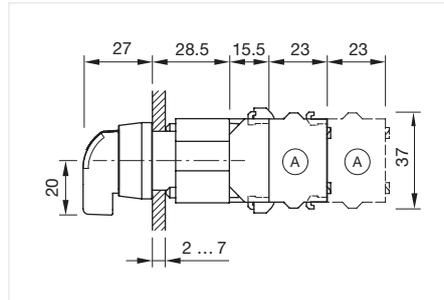


Switching element

Page 213

Each Part Number listed below includes all the black components shown in the 3D-drawing.

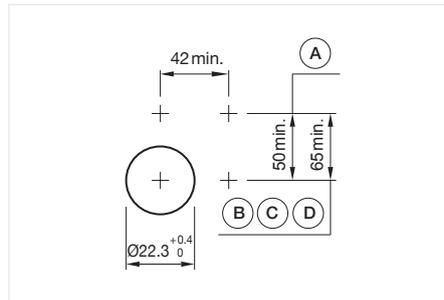
To obtain a complete unit, please select the red components from the pages shown.



Dimensions [mm]  
A = Screw terminal



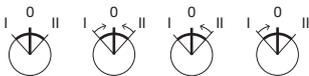
Product can differ from the current configuration.



Mounting cut-outs [mm]  
A = Screw terminal  
B = Push-in terminal (PIT)  
C = Plug-in terminal 6.3 mm x 0.8 mm  
D = Double plug-in terminal 6.3 mm x 0.8 mm

### General information

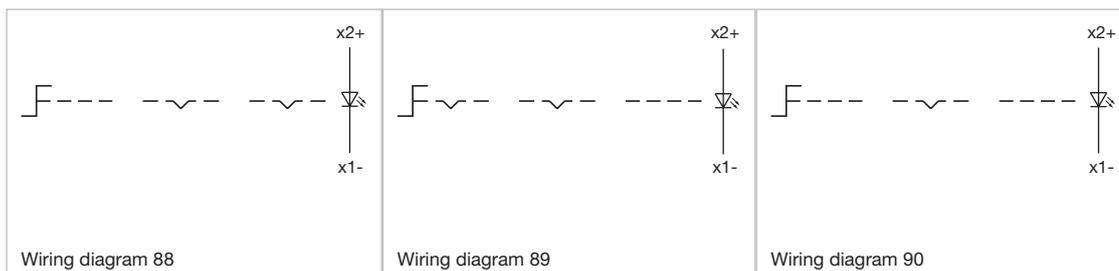
- Max. 3 switching elements can be clipped on
- The colour of anodised aluminium parts can vary due to technical production reasons



Actuator, Front dimension Ø 29 mm

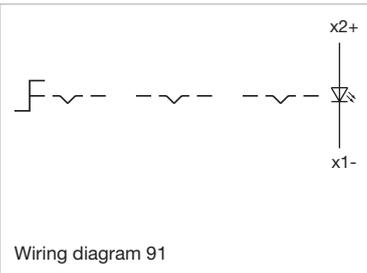
| Switching action               | Front bezel colour | Front bezel material | Switching angle      | Front bezel surface | Part No.   | Wiring diagram |
|--------------------------------|--------------------|----------------------|----------------------|---------------------|------------|----------------|
| Maintained - Rest - Maintained | Grey               | Plastic              | 42° left / 42° right |                     | 704.092.0i | 91             |
|                                | Nature             | Aluminium            | 42° left / 42° right | anodised            | 704.093.0i | 91             |
| Momentary - Rest - Momentary   | Grey               | Plastic              | 42° left / 42° right |                     | 704.094.0i | 90             |
|                                | Nature             | Aluminium            | 42° left / 42° right | anodised            | 704.095.0i | 90             |
| Maintained - Rest - Momentary  | Grey               | Plastic              | 42° left / 42° right |                     | 704.096.0i | 89             |
|                                | Nature             | Aluminium            | 42° left / 42° right | anodised            | 704.097.0i | 89             |
| Momentary - Rest - Maintained  | Grey               | Plastic              | 42° left / 42° right |                     | 704.098.0i | 88             |
|                                | Nature             | Aluminium            | 42° left / 42° right | anodised            | 704.099.0i | 88             |

### Wiring diagrams



# 04 Raised design

## Wiring diagrams



- 01
- 02
- 03
- 04
- 09
- 14
- 17
- 18
- 19
- 22
- 31
- 41
- 45
- 51
- 56
- 57
- 61
- 70
- 71
- 82
- 84
- 92
- 96

Follow us.  
We are on LinkedIn!  
*EAO creates possibilities. Since 1947.*



[Come take a look at our LinkedIn profile today!](https://www.linkedin.com/company/eao/) Be sure to give us a follow so that you can fully interact with us.

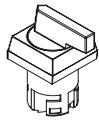
<https://www.linkedin.com/company/eao/>

[www.eao.com](http://www.eao.com)

**eao** ■  
Your Expert Partner for Human Machine Interfaces

## Selector switch 3 positions, long lever, square, IP65

### Equipment consisting of (schematic overview)



Actuator



Bayonet flange

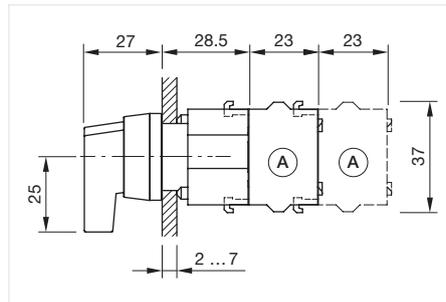


Switching element

Page 213

Each Part Number listed below includes all the black components shown in the 3D-drawing.

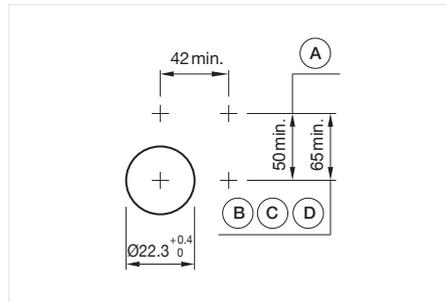
To obtain a complete unit, please select the red components from the pages shown.



Dimensions [mm]  
A = Screw terminal



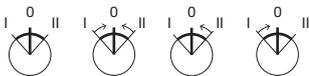
Product can differ from the current configuration.



Mounting cut-outs [mm]  
A = Screw terminal  
B = Push-in terminal (PIT)  
C = Plug-in terminal 6.3 mm x 0.8 mm  
D = Double plug-in terminal 6.3 mm x 0.8 mm

### General information

- Max. 3 switching elements can be clipped on



Actuator, Front dimension 30 mm x 30 mm

| Switching action               | Front bezel colour | Front bezel material | Switching angle      | Part No.  | Wiring diagram |
|--------------------------------|--------------------|----------------------|----------------------|-----------|----------------|
| Maintained - Rest - Maintained | Grey               | Plastic              | 42° left / 42° right | 704.292.0 | 95             |
| Momentary - Rest - Momentary   | Grey               | Plastic              | 42° left / 42° right | 704.294.0 | 94             |
| Maintained - Rest - Momentary  | Grey               | Plastic              | 42° left / 42° right | 704.296.0 | 93             |
| Momentary - Rest - Maintained  | Grey               | Plastic              | 42° left / 42° right | 704.298.0 | 92             |

### Wiring diagrams

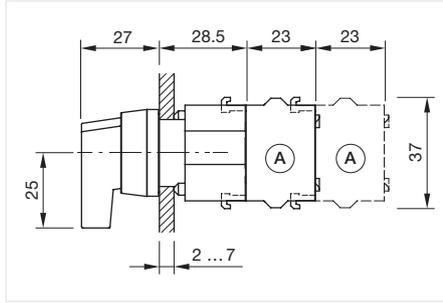
|                          |                          |                          |                          |
|--------------------------|--------------------------|--------------------------|--------------------------|
| <p>Wiring diagram 92</p> | <p>Wiring diagram 93</p> | <p>Wiring diagram 94</p> | <p>Wiring diagram 95</p> |
|--------------------------|--------------------------|--------------------------|--------------------------|

# 04 Raised design

## Selector switch 3 positions, long lever, round, IP65



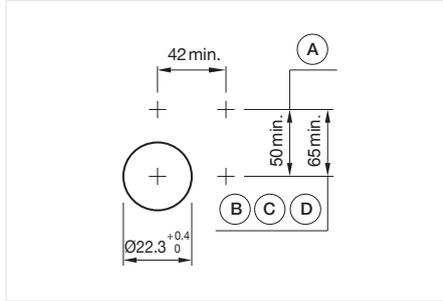
Product can differ from the current configuration.



Dimensions [mm]  
A = Screw terminal

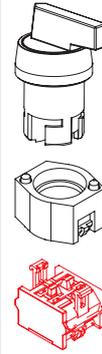
### General information

- Max. 3 switching elements can be clipped on
- The colour of anodised aluminium parts can vary due to technical production reasons



Mounting cut-outs [mm]  
A = Screw terminal  
B = Push-in terminal (PIT)  
C = Plug-in terminal 6.3 mm x 0.8 mm  
D = Double plug-in terminal 6.3 mm x 0.8 mm

### Equipment consisting of (schematic overview)



Actuator

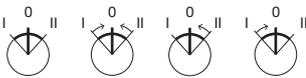
Bayonet flange

Switching element

Page 213

Each Part Number listed below includes all the black components shown in the 3D-drawing.

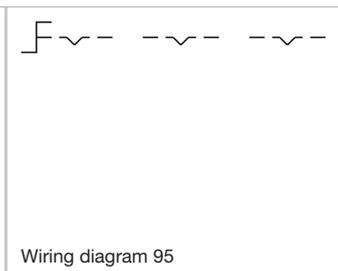
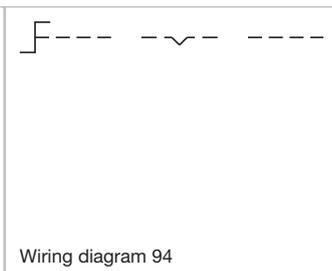
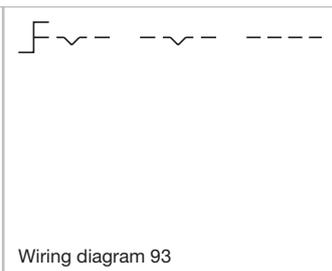
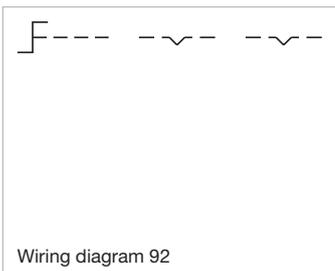
To obtain a complete unit, please select the red components from the pages shown.



Actuator, Front dimension Ø 29 mm

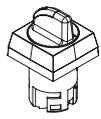
| Switching action               | Front bezel colour | Front bezel material | Switching angle      | Front bezel surface | Part No.  | Wiring diagram |
|--------------------------------|--------------------|----------------------|----------------------|---------------------|-----------|----------------|
| Maintained - Rest - Maintained | Grey               | Plastic              | 42° left / 42° right |                     | 704.092.0 | 95             |
|                                | Nature             | Aluminium            | 42° left / 42° right | anodised            | 704.093.0 | 95             |
| Momentary - Rest - Momentary   | Grey               | Plastic              | 42° left / 42° right |                     | 704.094.0 | 94             |
|                                | Nature             | Aluminium            | 42° left / 42° right | anodised            | 704.095.0 | 94             |
| Maintained - Rest - Momentary  | Grey               | Plastic              | 42° left / 42° right |                     | 704.096.0 | 93             |
|                                | Nature             | Aluminium            | 42° left / 42° right | anodised            | 704.097.0 | 93             |
| Momentary - Rest - Maintained  | Grey               | Plastic              | 42° left / 42° right |                     | 704.098.0 | 92             |
|                                | Nature             | Aluminium            | 42° left / 42° right | anodised            | 704.099.0 | 92             |

### Wiring diagrams

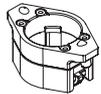


## Selector rotary switch, short lever, rounded, square, IP65

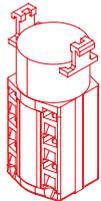
### Equipment consisting of (schematic overview)



Actuator



Bayonet flange

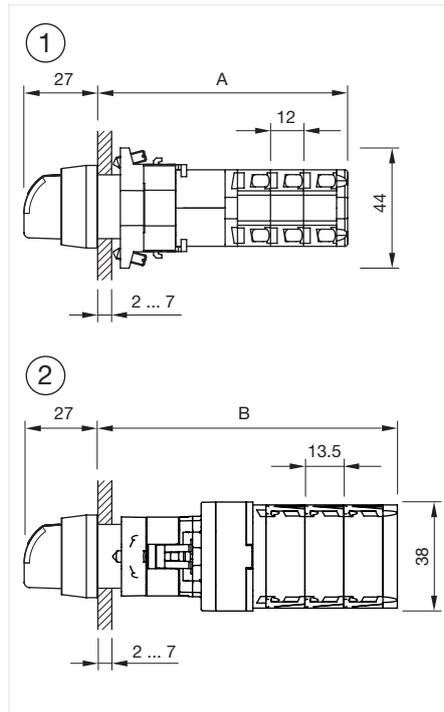


Switching element

Page 227

Each Part Number listed below includes all the black components shown in the 3D-drawing.

To obtain a complete unit, please select the red components from the pages shown.



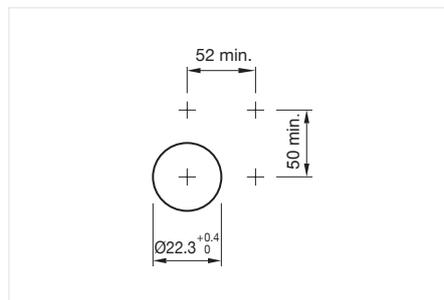
#### Dimensions [mm]

1 = Kraus & Naimer switching element

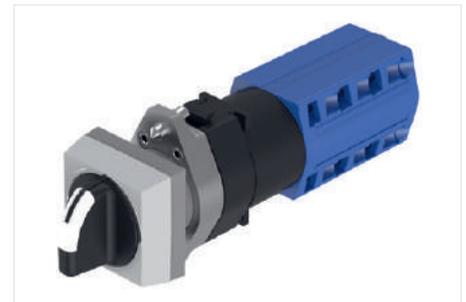
A = (Number of stages x 12) + 66.5 mm

2 = Santon switching element

B = (Number of stages x 13,5) + 65.5 mm



Mounting cut-outs [mm]



Product can differ from the current configuration.



Actuator, Front dimension 30 mm x 30 mm

| Front bezel colour | Front bezel material | Switching positions | Part No.     |
|--------------------|----------------------|---------------------|--------------|
| Grey               | Plastic              | Rest = 9 o'clock    | 704.510.1KNI |

01  
02  
03  
04  
09  
14  
17  
18  
19  
22  
31  
41  
45  
51  
56  
57  
61  
70  
71  
82  
84  
92  
96

# 04 Raised design

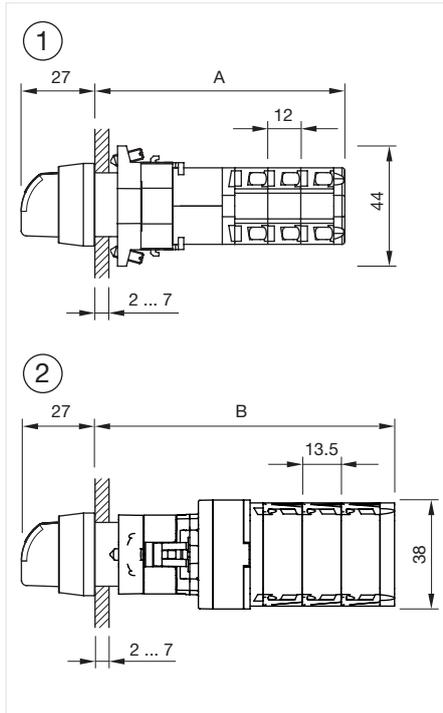
## Selector rotary switch, short lever rounded, round, IP65



Product can differ from the current configuration.

### General information

- The colour of anodised aluminium parts can vary due to technical production reasons



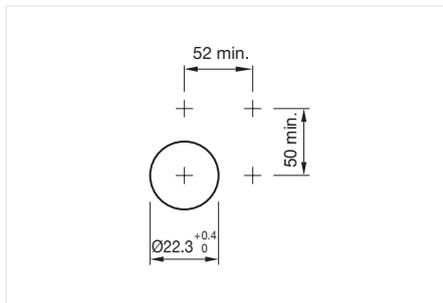
Dimensions [mm]

1 = Kraus & Naimer switching element

A = (Number of stages x 12) + 66.5 mm

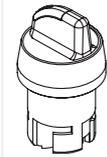
2 = Santon switching element

B = (Number of stages x 13,5) + 65.5 mm

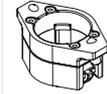


Mounting cut-outs [mm]

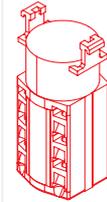
### Equipment consisting of (schematic overview)



Actuator



Bayonet flange



Switching element

Page 227

Each Part Number listed below includes all the black components shown in the 3D-drawing.

To obtain a complete unit, please select the red components from the pages shown.

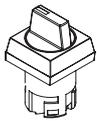


### Actuator, Front dimension Ø 29 mm

| Front bezel colour | Front bezel material | Switching positions | Front bezel surface | Part No.     |
|--------------------|----------------------|---------------------|---------------------|--------------|
| Nature             | Aluminium            | Rest = 9 o'clock    | anodised            | 704.411.1KNI |

## Selector rotary switch, short lever, square, IP65

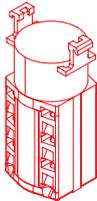
Equipment consisting of (schematic overview)



Actuator



Bayonet flange

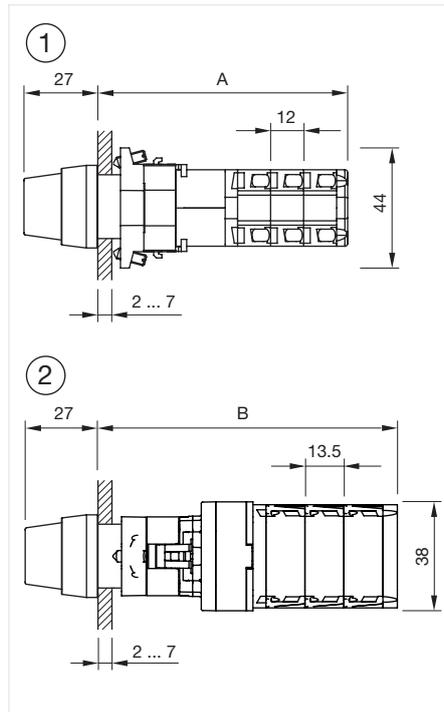


Switching element

Page 227

Each Part Number listed below includes all the black components shown in the 3D-drawing.

To obtain a complete unit, please select the red components from the pages shown.



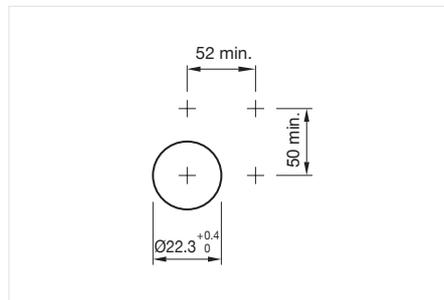
Dimensions [mm]

1 = Kraus & Naimer switching element

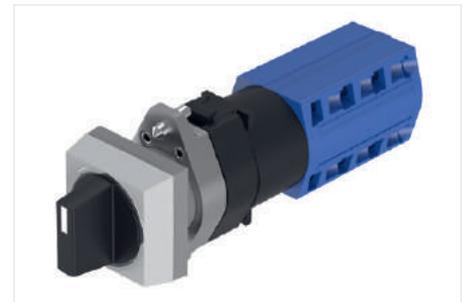
A = (Number of stages x 12) + 66.5 mm

2 = Santon switching element

B = (Number of stages x 13,5) + 65.5 mm



Mounting cut-outs [mm]



Product can differ from the current configuration.



Actuator, Front dimension 30 mm x 30 mm

| Front bezel colour | Front bezel material | Switching positions | Part No.    |
|--------------------|----------------------|---------------------|-------------|
| Grey               | Plastic              | Rest = 9 o'clock    | 704.510.1KN |

# 04 Raised design

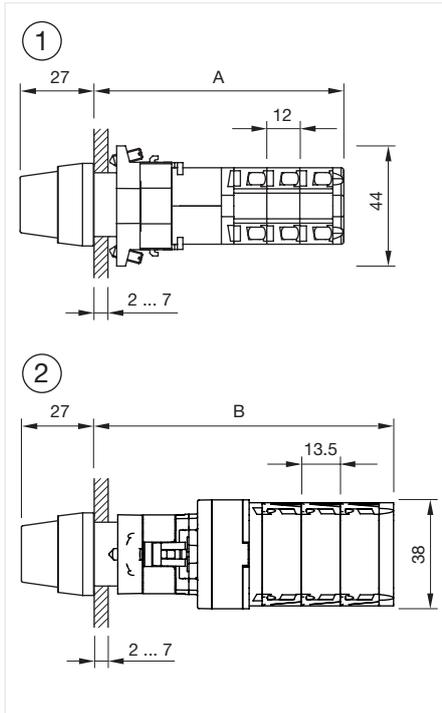
## Selector rotary switch, short lever, round, IP65



Product can differ from the current configuration.

### General information

- The colour of anodised aluminium parts can vary due to technical production reasons



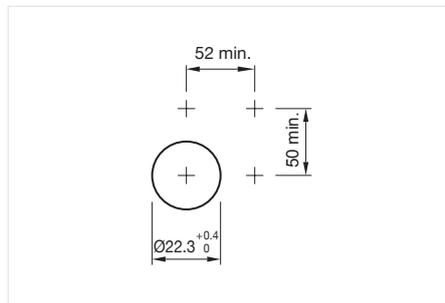
Dimensions [mm]

1 = Kraus & Naimer switching element

A = (Number of stages x 12) + 66.5 mm

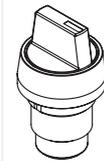
2 = Santon switching element

B = (Number of stages x 13,5) + 65.5 mm

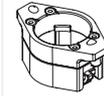


Mounting cut-outs [mm]

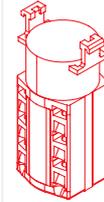
### Equipment consisting of (schematic overview)



Actuator



Bayonet flange



Switching element

Page 227

Each Part Number listed below includes all the black components shown in the 3D-drawing.

To obtain a complete unit, please select the red components from the pages shown.

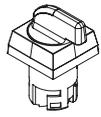


Actuator, Front dimension  $\varnothing$  29 mm

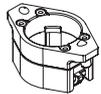
| Front bezel colour | Front bezel material | Switching positions | Front bezel surface | Part No.    |
|--------------------|----------------------|---------------------|---------------------|-------------|
| Nature             | Aluminium            | Rest = 9 o'clock    | anodised            | 704.411.1KN |

## Selector rotary switch, long lever rounded, square, IP65

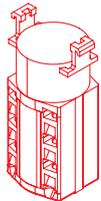
### Equipment consisting of (schematic overview)



Actuator



Bayonet flange

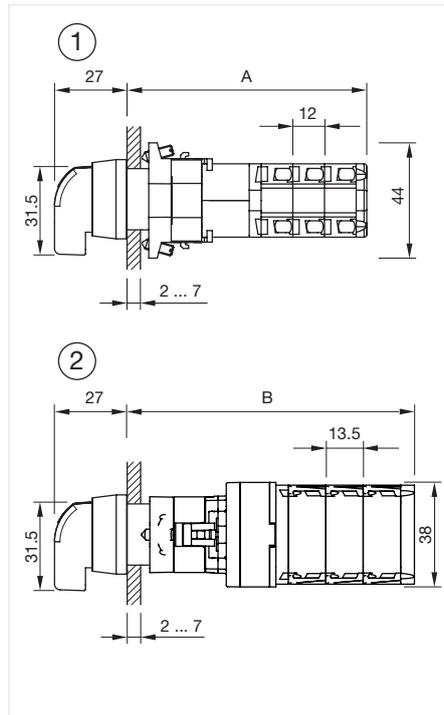


Switching element

Page 227

Each Part Number listed below includes all the black components shown in the 3D-drawing.

To obtain a complete unit, please select the red components from the pages shown.



Product can differ from the current configuration.

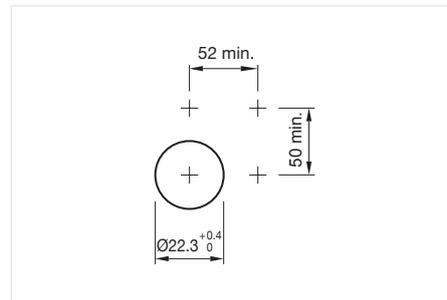
### Dimensions [mm]

1 = Kraus & Naimer switching element

A = (Number of stages x 12) + 66.5 mm

2 = Santon switching element

B = (Number of stages x 13,5) + 65.5 mm



Mounting cut-outs [mm]



Actuator, Front dimension 30 mm x 30 mm

| Front bezel colour | Front bezel material | Switching positions | Part No.     |
|--------------------|----------------------|---------------------|--------------|
| Grey               | Plastic              | Rest = 9 o'clock    | 704.300.1KNI |

# 04 Raised design

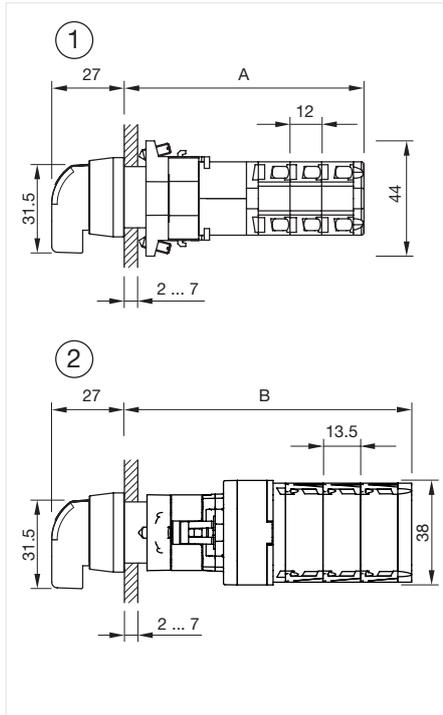
## Selector rotary switch, long lever rounded, round, IP65



Product can differ from the current configuration.

### General information

- The colour of anodised aluminium parts can vary due to technical production reasons



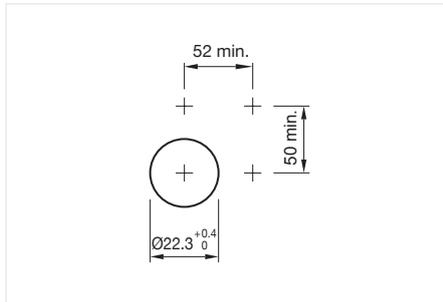
Dimensions [mm]

1 = Kraus & Naimer switching element

A = (Number of stages x 12) + 66.5 mm

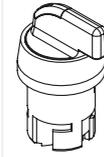
2 = Santon switching element

B = (Number of stages x 13,5) + 65.5 mm

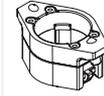


Mounting cut-outs [mm]

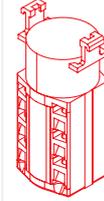
### Equipment consisting of (schematic overview)



Actuator



Bayonet flange



Switching element

Page 227

Each Part Number listed below includes all the black components shown in the 3D-drawing.

To obtain a complete unit, please select the red components from the pages shown.

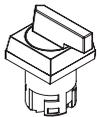


Actuator, Front dimension  $\varnothing$  29 mm

| Front bezel colour | Front bezel material | Switching positions | Front bezel surface | Part No.     |
|--------------------|----------------------|---------------------|---------------------|--------------|
| Nature             | Aluminium            | Rest = 9 o'clock    | anodised            | 704.101.1KNI |

## Selector rotary switch, long lever, square, IP65

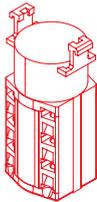
### Equipment consisting of (schematic overview)



Actuator



Bayonet flange

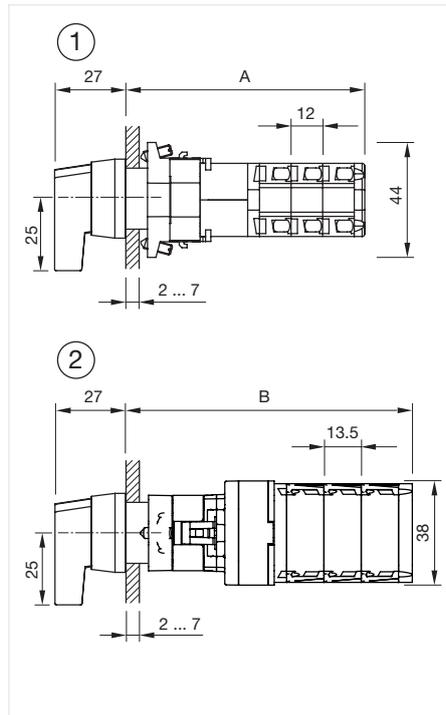


Switching element

Page 227

Each Part Number listed below includes all the black components shown in the 3D-drawing.

To obtain a complete unit, please select the red components from the pages shown.



Product can differ from the current configuration.

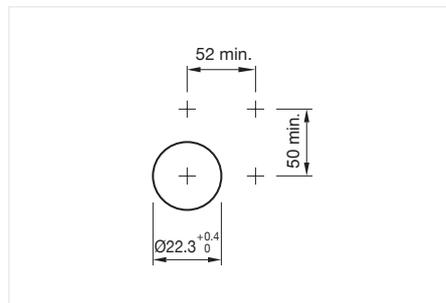
### Dimensions [mm]

1 = Kraus & Naimer switching element

A = (Number of stages x 12) + 66.5 mm

2 = Santon switching element

B = (Number of stages x 13,5) + 65.5 mm



Mounting cut-outs [mm]



Actuator, Front dimension 30 mm x 30 mm

| Front bezel colour | Front bezel material | Switching positions | Part No.    |
|--------------------|----------------------|---------------------|-------------|
| Grey               | Plastic              | Rest = 9 o'clock    | 704.300.1KN |

# 04 Raised design

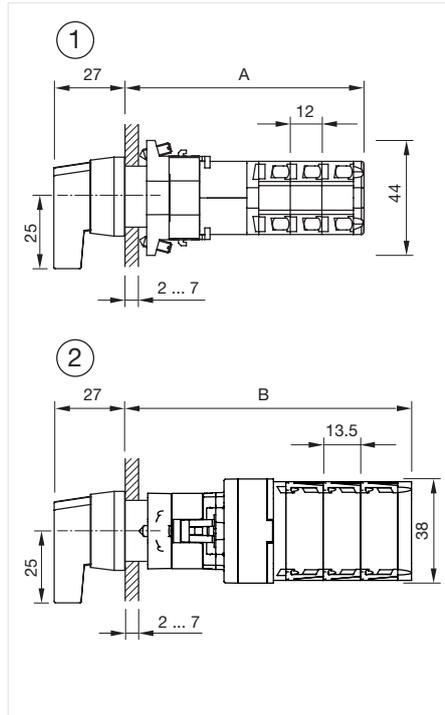
## Selector rotary switch, long lever, round, IP65



Product can differ from the current configuration.

### General information

- The colour of anodised aluminium parts can vary due to technical production reasons



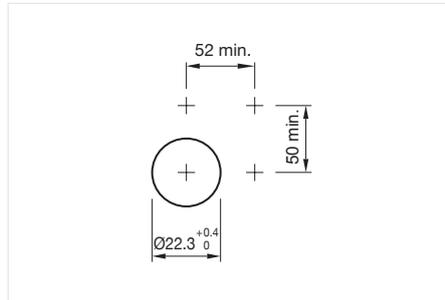
Dimensions [mm]

1 = Kraus & Naimer switching element

A = (Number of stages x 12) + 66.5 mm

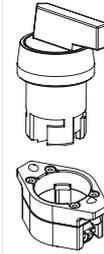
2 = Santon switching element

B = (Number of stages x 13,5) + 65.5 mm

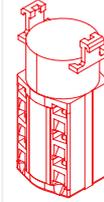


Mounting cut-outs [mm]

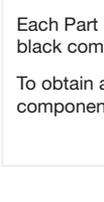
### Equipment consisting of (schematic overview)



Actuator



Bayonet flange



Switching element

Page 227

Each Part Number listed below includes all the black components shown in the 3D-drawing.

To obtain a complete unit, please select the red components from the pages shown.



### Actuator, Front dimension Ø 29 mm

| Front bezel colour | Front bezel material | Switching positions | Front bezel surface | Part No.    |
|--------------------|----------------------|---------------------|---------------------|-------------|
| Nature             | Aluminium            | Rest = 12 o'clock   | anodised            | 704.101.0KN |
|                    | Aluminium            | Rest = 9 o'clock    | anodised            | 704.101.1KN |

## Keylock switch 2 positions, square, IP65

### Equipment consisting of (schematic overview)



Actuator



Bayonet flange

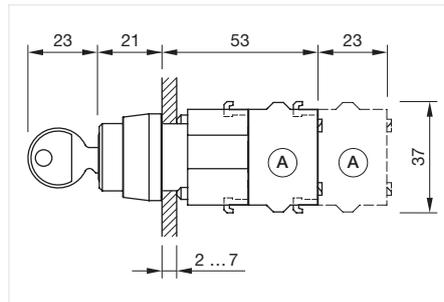


Switching element

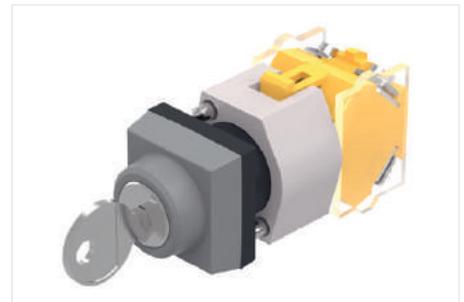
Page 213

Each Part Number listed below includes all the black components shown in the 3D-drawing.

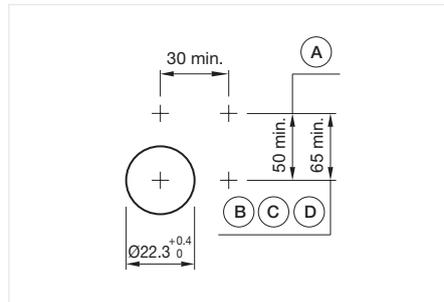
To obtain a complete unit, please select the red components from the pages shown.



Dimensions [mm]  
A = Screw terminal



Product can differ from the current configuration.



Mounting cut-outs [mm]  
A = Screw terminal  
B = Push-in terminal (PIT)  
C = Plug-in terminal 6.3 mm x 0.8 mm  
D = Double plug-in terminal 6.3 mm x 0.8 mm

### General information

- Max. 3 switching elements can be clipped on
- The standard lock Ronis 251

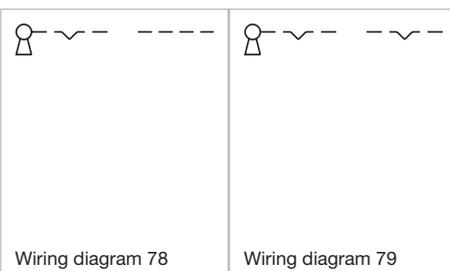


Actuator, Front dimension 30 mm x 30 mm

| Switching action          | Front bezel colour | Front bezel material | Switching angle | Part No.  | Wiring diagram |
|---------------------------|--------------------|----------------------|-----------------|-----------|----------------|
| Rest - Maintained (a)     | Grey               | Plastic              | 90° right       | 704.340.0 | 79             |
| Rest (a) - Maintained     | Grey               | Plastic              | 90° right       | 704.341.0 | 79             |
| Rest (a) - Maintained (a) | Grey               | Plastic              | 90° right       | 704.342.0 | 79             |
| Rest (a) - Momentary      | Grey               | Plastic              | 42° right       | 704.343.0 | 78             |

a = Key remove

### Wiring diagrams

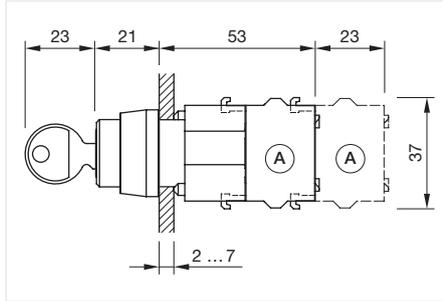


# 04 Raised design

## Keylock switch 2 positions, round, IP65



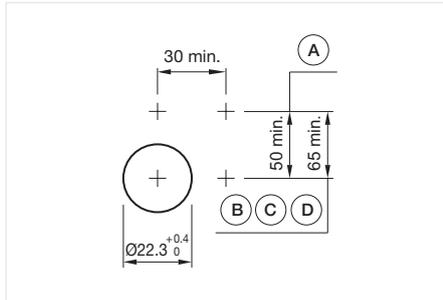
Product can differ from the current configuration.



Dimensions [mm]  
A = Screw terminal

### General information

- Max. 3 switching elements can be clipped on
- The standard lock Ronis 251
- The colour of anodised aluminium parts can vary due to technical production reasons

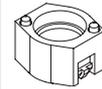


Mounting cut-outs [mm]  
A = Screw terminal  
B = Push-in terminal (PIT)  
C = Plug-in terminal 6.3 mm x 0.8 mm  
D = Double plug-in terminal 6.3 mm x 0.8 mm

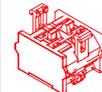
### Equipment consisting of (schematic overview)



Actuator



Bayonet flange

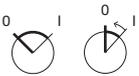


Switching element

Page 213

Each Part Number listed below includes all the black components shown in the 3D-drawing.

To obtain a complete unit, please select the red components from the pages shown.

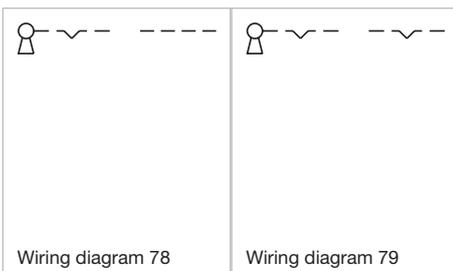


Actuator, Front dimension Ø 29 mm

| Switching action          | Front bezel colour | Front bezel material | Switching angle | Part No.  | Wiring diagram |
|---------------------------|--------------------|----------------------|-----------------|-----------|----------------|
| Rest - Maintained (a)     | Nature             | Aluminium            | 90° right       | 704.120.0 | 79             |
| Rest (a) - Maintained     | Nature             | Aluminium            | 90° right       | 704.121.0 | 79             |
| Rest (a) - Maintained (a) | Nature             | Aluminium            | 90° right       | 704.122.0 | 79             |
| Rest (a) - Momentary      | Nature             | Aluminium            | 42° right       | 704.123.0 | 78             |

a = Key remove

### Wiring diagrams



Wiring diagram 78

Wiring diagram 79

## Keylock switch 3 positions, square, IP65

Equipment consisting of (schematic overview)



Actuator



Bayonet flange

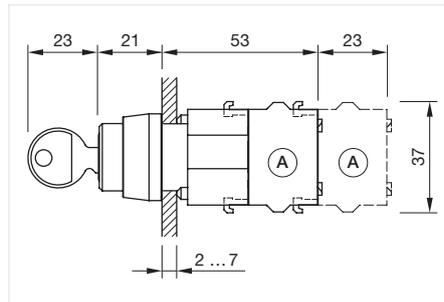


Switching element

Page 213

Each Part Number listed below includes all the black components shown in the 3D-drawing.

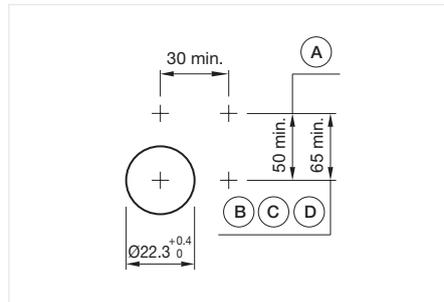
To obtain a complete unit, please select the red components from the pages shown.



Dimensions [mm]  
A = Screw terminal



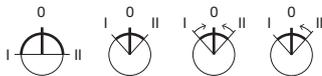
Product can differ from the current configuration.



Mounting cut-outs [mm]  
A = Screw terminal  
B = Push-in terminal (PIT)  
C = Plug-in terminal 6.3 mm x 0.8 mm  
D = Double plug-in terminal 6.3 mm x 0.8 mm

### General information

- Max. 3 switching elements can be clipped on
- The standard lock Ronis 251

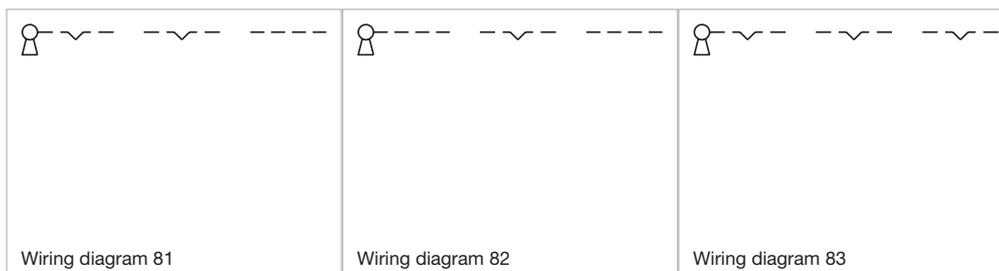


Actuator, Front dimension 30 mm x 30 mm

| Switching action                           | Front bezel colour | Front bezel material | Switching angle      | Part No.  | Wiring diagram |
|--|--------------------|----------------------|----------------------|-----------|----------------|
| Maintained (a) - Rest (a) - Maintained (a) | Grey               | Plastic              | 90° left / 90° right | 704.333.0 | 83             |
| Maintained - Rest (a) - Maintained         | Grey               | Plastic              | 42° left / 42° right | 704.334.0 | 83             |
| Momentary - Rest (a) - Momentary           | Grey               | Plastic              | 42° left / 42° right | 704.335.0 | 82             |
| Maintained (a) - Rest - Momentary          | Grey               | Plastic              | 42° left / 42° right | 704.337.0 | 81             |
| Maintained (a) - Rest (a) - Momentary      | Grey               | Plastic              | 42° left / 42° right | 704.344.0 | 81             |

a = Key remove

## Wiring diagrams

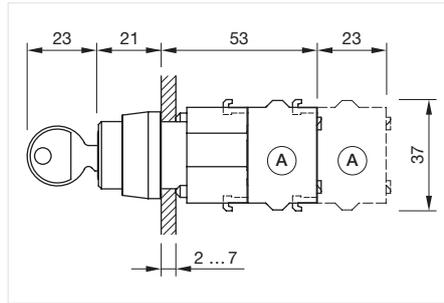


# 04 Raised design

## Keylock switch 3 positions, round, IP65



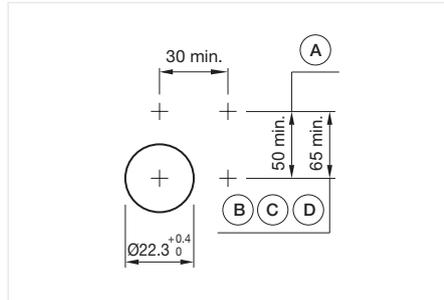
Product can differ from the current configuration.



Dimensions [mm]  
A = Screw terminal

### General information

- Max. 3 switching elements can be clipped on
- The standard lock Ronis 251
- The colour of anodised aluminium parts can vary due to technical production reasons

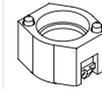


Mounting cut-outs [mm]  
A = Screw terminal  
B = Push-in terminal (PIT)  
C = Plug-in terminal 6.3 mm x 0.8 mm  
D = Double plug-in terminal 6.3 mm x 0.8 mm

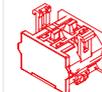
### Equipment consisting of (schematic overview)



Actuator



Bayonet flange



Switching element

Page 213

Each Part Number listed below includes all the black components shown in the 3D-drawing.

To obtain a complete unit, please select the red components from the pages shown.

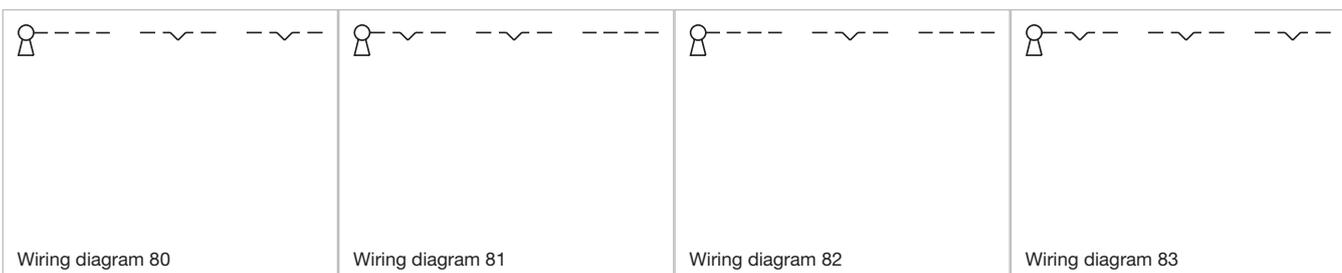


Actuator, Front dimension Ø 29 mm

| Switching action                           | Front bezel colour | Front bezel material | Switching angle      | Part No.  | Wiring diagram |
|--|--------------------|----------------------|----------------------|-----------|----------------|
| Maintained (a) - Rest (a) - Maintained (a) | Nature             | Aluminium            | 90° left / 90° right | 704.113.0 | 83             |
| Maintained - Rest (a) - Maintained         | Nature             | Aluminium            | 42° left / 42° right | 704.114.0 | 83             |
| Momentary - Rest (a) - Momentary           | Nature             | Aluminium            | 42° left / 42° right | 704.115.0 | 82             |
| Maintained (a) - Rest - Maintained (a)     | Nature             | Aluminium            | 42° left / 42° right | 704.116.0 | 83             |
| Maintained (a) - Rest - Momentary          | Nature             | Aluminium            | 42° left / 42° right | 704.117.0 | 81             |
| Momentary - Rest (a) - Maintained          | Nature             | Aluminium            | 42° left / 42° right | 704.118.0 | 80             |
| Maintained (a) - Rest (a) - Momentary      | Nature             | Aluminium            | 42° left / 42° right | 704.124.0 | 81             |

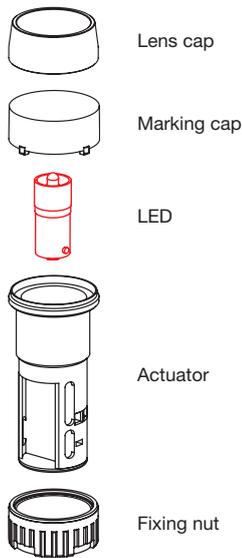
a = Key remove

## Wiring diagrams



## Indicator full-face illumination compact, round, IP65

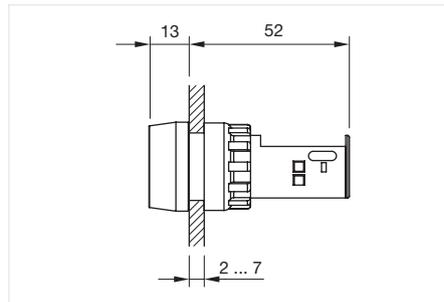
### Equipment consisting of (schematic overview)



Page 204

Each Part Number listed below includes all the black components shown in the 3D-drawing.

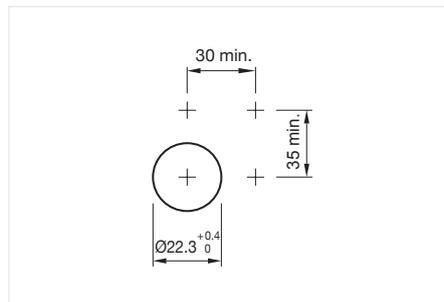
To obtain a complete unit, please select the red components from the pages shown.



Dimensions [mm]



Product can differ from the current configuration.



Mounting cut-outs [mm]



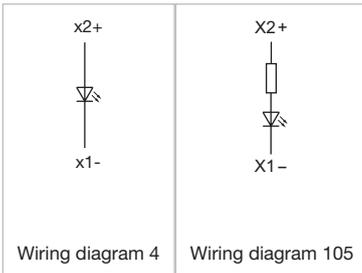
### Actuator, Front dimension Ø 29 mm

| Product attributes  | Housing colour | Housing material | Lens cap colour | Marking cap colour | Part No.  | Wiring diagram |
|---|----------------|------------------|-----------------|--------------------|-----------|----------------|
| Filament lamp max. 2.6 W or LED   | Grey           | Plastic          | Red             | White              | 704.020.2 | 4              |
|   | Grey           | Plastic          | Yellow          | White              | 704.020.4 | 4              |
|   | Grey           | Plastic          | Green           | White              | 704.020.5 | 4              |
|   | Grey           | Plastic          | Blue            | White              | 704.020.6 | 4              |
|   | Grey           | Plastic          | Colourless      | White              | 704.020.7 | 4              |
| Filament lamp 130 V, max. 2.6 W with integrated series resistor 230/130 V | Grey           | Plastic          | Red             | Colourless         | 704.021.2 | 4              |
|   | Grey           | Plastic          | Yellow          | Colourless         | 704.021.4 | 4              |
|   | Grey           | Plastic          | Green           | Colourless         | 704.021.5 | 4              |
|   | Grey           | Plastic          | Blue            | Colourless         | 704.021.6 | 4              |
|   | Grey           | Plastic          | Colourless      | Colourless         | 704.021.7 | 4              |
|   | Grey           | Plastic          | Red             | White              | 704.022.2 | 105            |
|   | Grey           | Plastic          | Yellow          | White              | 704.022.4 | 105            |
| Grey  | Plastic        | Green            | White           | 704.022.5          | 105       |                |
| Grey  | Plastic        | Blue             | White           | 704.022.6          | 105       |                |
| Grey  | Plastic        | Colourless       | White           | 704.022.7          | 105       |                |

01  
02  
03  
04  
09  
14  
17  
18  
19  
22  
31  
41  
45  
51  
56  
57  
61  
70  
71  
82  
84  
92  
96

# 04 Raised design

## Wiring diagrams



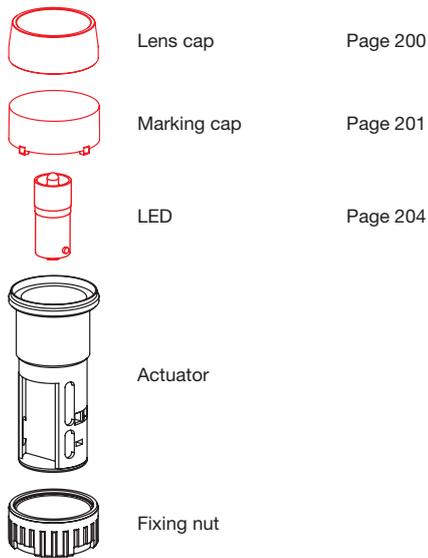
EAO Downloads.  
[www.eao.com/downloads](http://www.eao.com/downloads)  
*EAO creates possibilities. Since 1947.*



[On our website you can download technical data, assembly instructions, catalogs, brochures and much more.](http://www.eao.com/downloads)

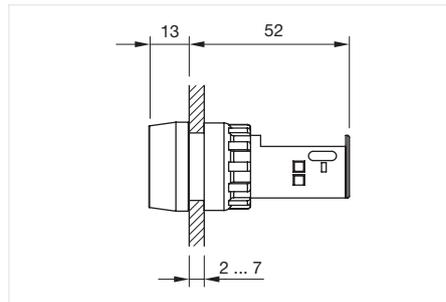
## Indicator full-face illumination compact, round, IP65

### Equipment consisting of (schematic overview)



Each Part Number listed below includes all the black components shown in the 3D-drawing.

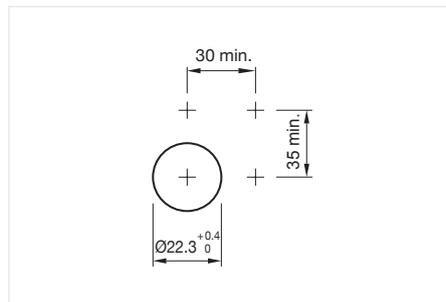
To obtain a complete unit, please select the red components from the pages shown.



Dimensions [mm]



Product can differ from the current configuration.



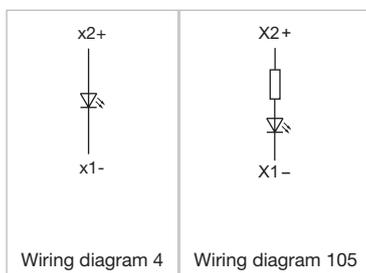
Mounting cut-outs [mm]



Actuator, Front dimension  $\varnothing$  29 mm

| Product attributes  | Housing colour | Housing material | Part No.  | Wiring diagram |
|---|----------------|------------------|-----------|----------------|
| Without built-in series resistor                                  | Grey           | Plastic          | 704.642.0 | 4              |
| With series resistor for 220/240 V and filament lamp 130 V, 20 mA | Grey           | Plastic          | 704.642.1 | 105            |
| With series resistor for 110/125 V and filament lamp 60 V, 33 mA  | Grey           | Plastic          | 704.642.2 | 105            |

### Wiring diagrams

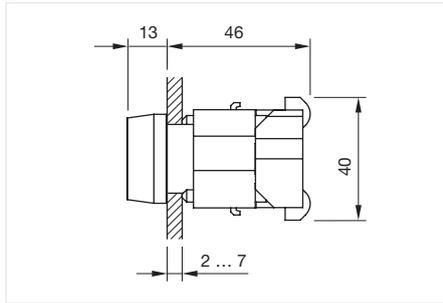


# 04 Raised design

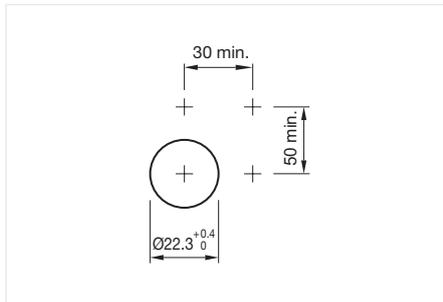
## Indicator full-face illumination, square, IP65



Product can differ from the current configuration.

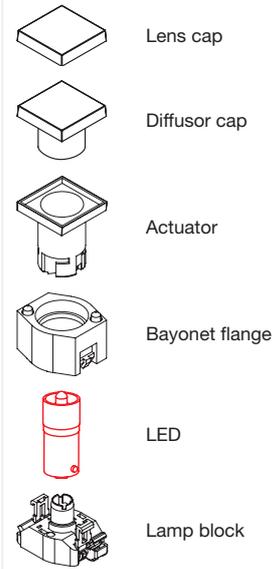


Dimensions [mm]



Mounting cut-outs [mm]

### Equipment consisting of (schematic overview)



Page 204

Each Part Number listed below includes all the black components shown in the 3D-drawing.

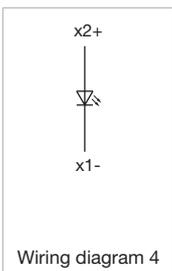
To obtain a complete unit, please select the red components from the pages shown.



### Actuator, Front dimension 30 mm x 30 mm

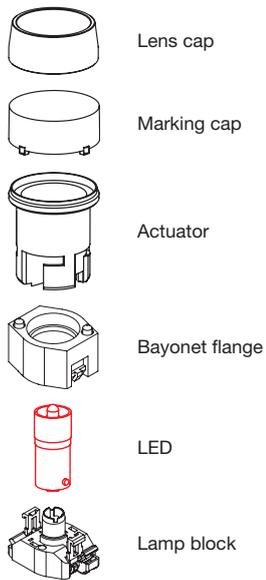
| Housing colour | Housing material | Front bezel colour | Lens cap colour | Marking cap colour | Diffusor cap colour | Part No.  | Wiring diagram |
|----------------|------------------|--------------------|-----------------|--------------------|---------------------|-----------|----------------|
| Grey           | Plastic          | Black              | Red             | White              | White               | 704.199.2 | 4              |
|                | Plastic          | Black              | Yellow          | White              | White               | 704.199.4 | 4              |
|                | Plastic          | Black              | Green           | White              | White               | 704.199.5 | 4              |
|                | Plastic          | Black              | Colourless      | White              | White               | 704.199.7 | 4              |
|                | Plastic          | Grey               | Red             | White              | White               | 704.200.2 | 4              |
|                | Plastic          | Grey               | Yellow          | White              | White               | 704.200.4 | 4              |
|                | Plastic          | Grey               | Green           | White              | White               | 704.200.5 | 4              |
|                | Plastic          | Grey               | Blue            | White              | White               | 704.200.6 | 4              |
| Plastic        | Grey             | Colourless         | White           | White              | 704.200.7           | 4         |                |

## Wiring diagrams



## Indicator full-face illumination, round, IP65

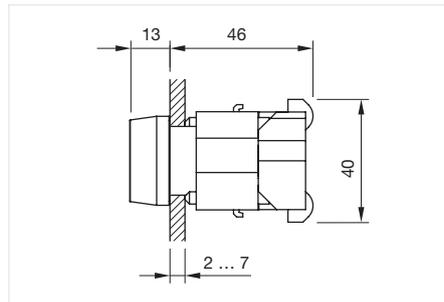
### Equipment consisting of (schematic overview)



Page 204

Each Part Number listed below includes all the black components shown in the 3D-drawing.

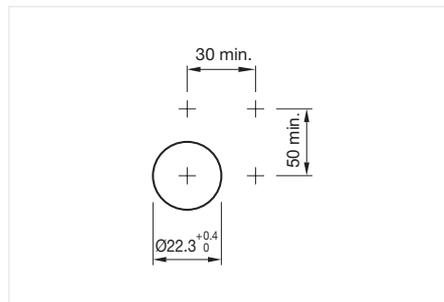
To obtain a complete unit, please select the red components from the pages shown.



Dimensions [mm]



Product can differ from the current configuration.



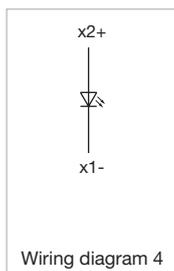
Mounting cut-outs [mm]



Actuator, Front dimension Ø 29 mm

| Housing colour | Housing material | Lens cap colour | Marking cap colour | Diffusor cap colour | Part No.  | Wiring diagram |
|----------------|------------------|-----------------|--------------------|---------------------|-----------|----------------|
| Grey           | Plastic          | Red             | White              | White               | 704.000.2 | 4              |
|                | Plastic          | Yellow          | White              | White               | 704.000.4 | 4              |
|                | Plastic          | Green           | White              | White               | 704.000.5 | 4              |
|                | Plastic          | Blue            | White              | White               | 704.000.6 | 4              |
|                | Plastic          | Colourless      | White              | White               | 704.000.7 | 4              |
|                | Plastic          | Red             | Colourless         | White               | 704.001.2 | 4              |
|                | Plastic          | Yellow          | Colourless         | White               | 704.001.4 | 4              |
|                | Plastic          | Green           | Colourless         | White               | 704.001.5 | 4              |
|                | Plastic          | Blue            | Colourless         | White               | 704.001.6 | 4              |
|                | Plastic          | Colourless      | Colourless         | White               | 704.001.7 | 4              |

### Wiring diagrams

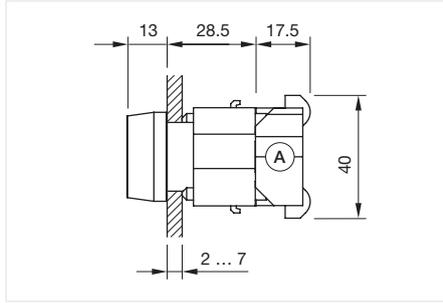


# 04 Raised design

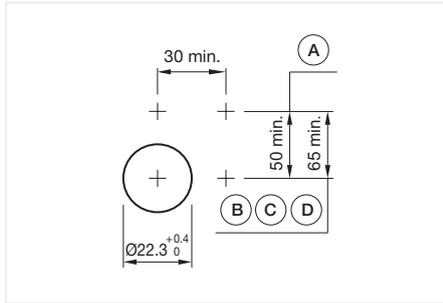
## Indicator full-face illumination, square, IP65



Product can differ from the current configuration.



Dimensions [mm]  
A = Screw terminal



Mounting cut-outs [mm]  
A = Screw terminal  
B = Push-in terminal (PIT)  
C = Plug-in terminal 6.3 mm x 0.8 mm  
D = Double plug-in terminal 6.3 mm x 0.8 mm

### Equipment consisting of (schematic overview)

|  |                |          |
|--|----------------|----------|
|  | Lens cap       | Page 200 |
|  | Diffuser cap   | Page 201 |
|  | Actuator       |          |
|  | Bayonet flange | Page 203 |
|  | LED            | Page 204 |
|  | Lamp block     | Page 210 |

Each Part Number listed below includes all the black components shown in the 3D-drawing.

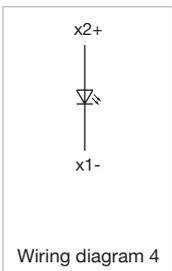
To obtain a complete unit, please select the red components from the pages shown.



Actuator, Front dimension 30 mm x 30 mm

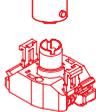
| Housing colour | Housing material | Part No.  | Wiring diagram |
|----------------|------------------|-----------|----------------|
| Black          | Plastic          | 704.730.0 | 4              |
| Grey           | Plastic          | 704.730.1 | 4              |

### Wiring diagrams



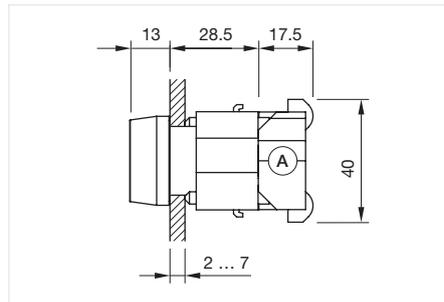
## Indicator full-face illumination, round, IP65

### Equipment consisting of (schematic overview)

|   |                |          |
|---|----------------|----------|
|  | Lens cap       | Page 200 |
|  | Marking cap    | Page 201 |
|  | Actuator       |          |
|  | Bayonet flange | Page 203 |
|  | LED            | Page 204 |
|  | Lamp block     | Page 210 |

Each Part Number listed below includes all the black components shown in the 3D-drawing.

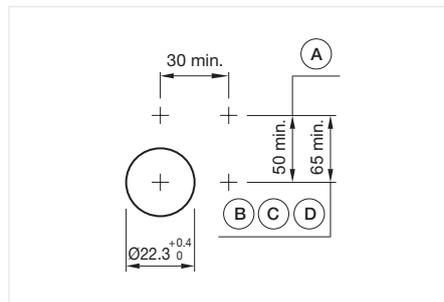
To obtain a complete unit, please select the red components from the pages shown.



Dimensions [mm]  
A = Screw terminal



Product can differ from the current configuration.



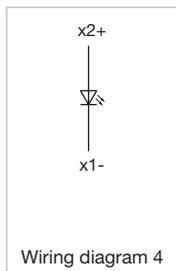
Mounting cut-outs [mm]  
A = Screw terminal  
B = Push-in terminal (PIT)  
C = Plug-in terminal 6.3 mm x 0.8 mm  
D = Double plug-in terminal 6.3 mm x 0.8 mm



Actuator, Front dimension Ø 29 mm

| Housing colour | Housing material | Part No.  | Wiring diagram |
|----------------|------------------|-----------|----------------|
| Grey           | Plastic          | 704.630.1 | 4              |

### Wiring diagrams



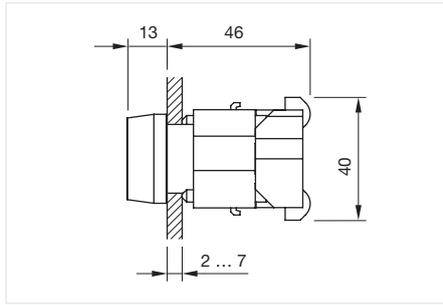
01  
02  
03  
04  
09  
14  
17  
18  
19  
22  
31  
41  
45  
51  
56  
57  
61  
70  
71  
82  
84  
92  
96

# 04 Raised design

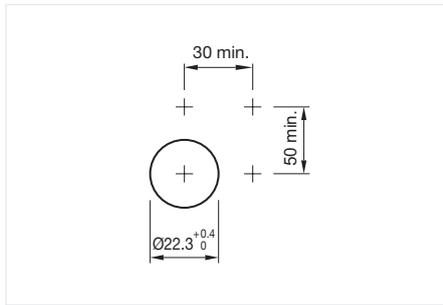
## Indicator front illumination, square, IP65



Product can differ from the current configuration.

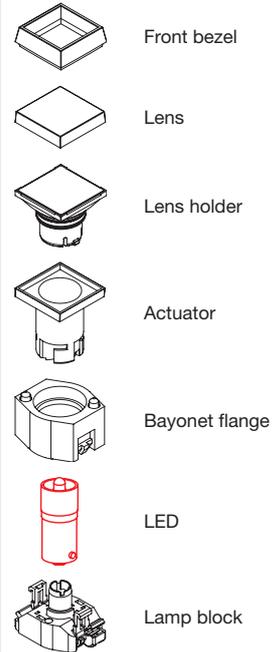


Dimensions [mm]



Mounting cut-outs [mm]

### Equipment consisting of (schematic overview)



Page 204

Each Part Number listed below includes all the black components shown in the 3D-drawing.

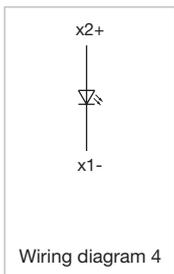
To obtain a complete unit, please select the red components from the pages shown.



### Actuator, Front dimension 30 mm x 30 mm

| Housing colour | Housing material | Front bezel colour | Lens colour | Marking plate colour | Marking plate optics | Part No.  | Wiring diagram |
|----------------|------------------|--------------------|-------------|----------------------|----------------------|-----------|----------------|
| Black          | Plastic          | Grey               | Red         | White                | translucent          | 704.202.2 | 4              |
|                | Plastic          | Grey               | Yellow      | White                | translucent          | 704.202.4 | 4              |
|                | Plastic          | Grey               | Green       | White                | translucent          | 704.202.5 | 4              |
|                | Plastic          | Grey               | Blue        | White                | translucent          | 704.202.6 | 4              |
|                | Plastic          | Grey               | Colourless  | White                | translucent          | 704.202.7 | 4              |
|                | Plastic          | Grey               | Red         | Colourless           | transparent          | 704.203.2 | 4              |
|                | Plastic          | Grey               | Yellow      | Colourless           | transparent          | 704.203.4 | 4              |
|                | Plastic          | Grey               | Green       | Colourless           | transparent          | 704.203.5 | 4              |
|                | Plastic          | Grey               | Blue        | Colourless           | transparent          | 704.203.6 | 4              |
|                | Plastic          | Grey               | Colourless  | Colourless           | transparent          | 704.203.7 | 4              |
|                | Plastic          | Black              | Red         | White                | translucent          | 704.206.2 | 4              |
|                | Plastic          | Black              | Yellow      | White                | translucent          | 704.206.4 | 4              |
|                | Plastic          | Black              | Green       | White                | translucent          | 704.206.5 | 4              |
|                | Plastic          | Black              | Blue        | White                | translucent          | 704.206.6 | 4              |
|                | Plastic          | Black              | Colourless  | White                | translucent          | 704.206.7 | 4              |
|                | Plastic          | Black              | Green       | Colourless           | transparent          | 704.207.5 | 4              |
|                | Plastic          | Black              | Blue        | Colourless           | transparent          | 704.207.6 | 4              |

## Wiring diagrams



- 01
- 02
- 03
- 04**
- 09
- 14
- 17
- 18
- 19
- 22
- 31
- 41
- 45
- 51
- 56
- 57
- 61
- 70
- 71
- 82
- 84
- 92
- 96



### Modern. Tactile and long-lasting. *Series 04 illuminated selector switches.*

Intuitive and reliable operation for enhanced safety in public transportation.

- Bright, single or bi-colour LED illumination
- Modern, ergonomic design
- Rounded edges (in accordance with DIN 5566-1)
- Excellent tactile feedback
- Long service life and robust construction
- Wide range of possible combinations and options

[www.eao.com](http://www.eao.com)

**eao** ■

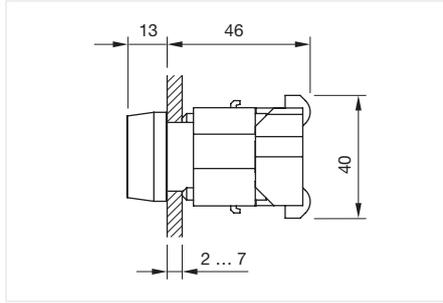
Your Expert Partner for Human Machine Interfaces

# 04 Raised design

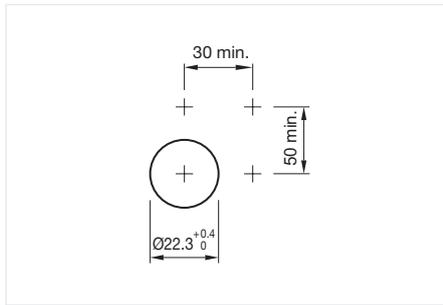
## Indicator front illumination, round, IP65



Product can differ from the current configuration.

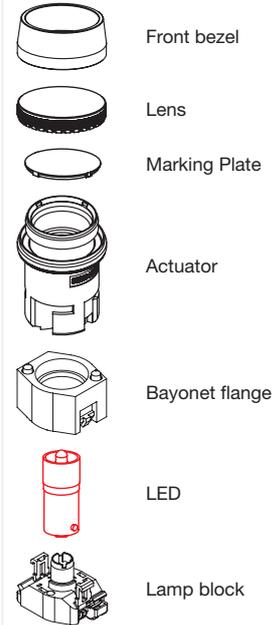


Dimensions [mm]



Mounting cut-outs [mm]

### Equipment consisting of (schematic overview)



Page 204

Each Part Number listed below includes all the black components shown in the 3D-drawing.

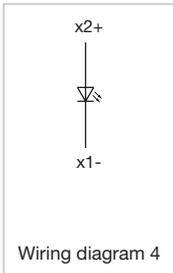
To obtain a complete unit, please select the red components from the pages shown.



### Actuator, Front dimension Ø 29 mm

| Product attributes   | Housing colour | Housing material | Front bezel colour | Lens colour | Marking plate colour | Marking plate optics | Part No.  | Wiring diagram |
|----------------------|----------------|------------------|--------------------|-------------|----------------------|----------------------|-----------|----------------|
| Filament lamp or LED | Grey           | Plastic          | Grey               | Red         | White                | translucent          | 704.002.2 | 4              |
|                      | Grey           | Plastic          | Grey               | Yellow      | White                | translucent          | 704.002.4 | 4              |
|                      | Grey           | Plastic          | Grey               | Green       | White                | translucent          | 704.002.5 | 4              |
|                      | Grey           | Plastic          | Grey               | Blue        | White                | translucent          | 704.002.6 | 4              |
|                      | Grey           | Plastic          | Grey               | Colourless  | White                | translucent          | 704.002.7 | 4              |
|                      | Grey           | Plastic          | Grey               | Red         | Colourless           | transparent          | 704.003.2 | 4              |
|                      | Grey           | Plastic          | Grey               | Yellow      | Colourless           | transparent          | 704.003.4 | 4              |
|                      | Grey           | Plastic          | Grey               | Green       | Colourless           | transparent          | 704.003.5 | 4              |
|                      | Grey           | Plastic          | Grey               | Blue        | Colourless           | transparent          | 704.003.6 | 4              |
|                      | Grey           | Plastic          | Grey               | Colourless  | Colourless           | transparent          | 704.003.7 | 4              |
| Filament lamp or LED | Grey           | Plastic          | Black              | Red         | White                | translucent          | 704.006.2 | 4              |
|                      | Grey           | Plastic          | Black              | Yellow      | White                | translucent          | 704.006.4 | 4              |
|                      | Grey           | Plastic          | Black              | Green       | White                | translucent          | 704.006.5 | 4              |
|                      | Grey           | Plastic          | Black              | Blue        | White                | translucent          | 704.006.6 | 4              |
|                      | Grey           | Plastic          | Black              | Colourless  | White                | translucent          | 704.006.7 | 4              |

Wiring diagrams



01  
02  
03  
**04**  
09  
14  
17  
18  
19  
22  
31  
41  
45  
51  
56  
57  
61  
70  
71  
82  
84  
92  
96

Follow us.  
We are on YouTube!  
*EAO ermöglicht. Seit 1947.*

[Come take a look at our YouTube profile today!](https://www.youtube.com/user/eaoswitches) *Be sure to give us a follow so that you can fully interact with us.*

 <https://www.youtube.com/user/eaoswitches>

**eao** ■  
Your Expert Partner for Human Machine Interfaces

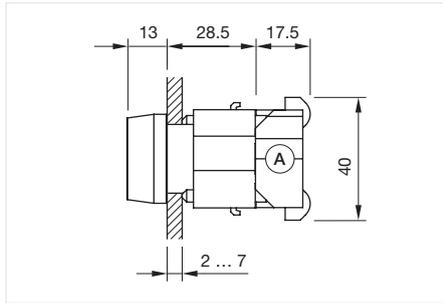
[www.eao.com](http://www.eao.com)

# 04 Raised design

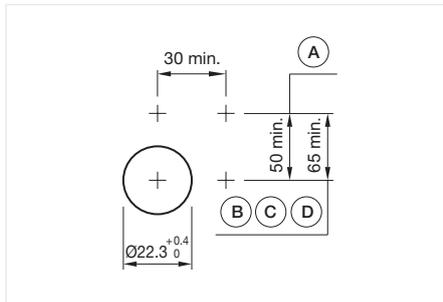
## Indicator front illumination, square, IP65



Product can differ from the current configuration.



Dimensions [mm]  
A = Screw terminal



Mounting cut-outs [mm]  
A = Screw terminal  
B = Push-in terminal (PIT)  
C = Plug-in terminal 6.3 mm x 0.8 mm  
D = Double plug-in terminal 6.3 mm x 0.8 mm

### Equipment consisting of (schematic overview)

|  |                |          |
|--|----------------|----------|
|  | Front bezel    | Page 202 |
|  | Lens           | Page 199 |
|  | Lens holder    | Page 201 |
|  | Actuator       |          |
|  | Bayonet flange | Page 203 |
|  | LED            | Page 204 |
|  | Lamp block     | Page 210 |

Each Part Number listed below includes all the black components shown in the 3D-drawing.

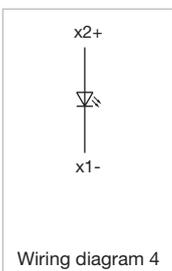
To obtain a complete unit, please select the red components from the pages shown.



Actuator, Front dimension 30 mm x 30 mm

| Housing colour | Housing material | Part No.  | Wiring diagram |
|----------------|------------------|-----------|----------------|
| Black          | Plastic          | 704.733.0 | 4              |
| Grey           | Plastic          | 704.733.1 | 4              |

### Wiring diagrams



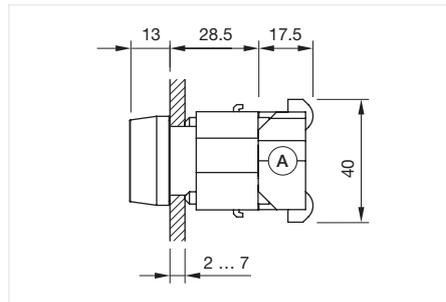
## Indicator front illumination, round, IP65

### Equipment consisting of (schematic overview)

-  Front bezel Page 202
-  Lens Page 199
-  Marking Plate Page 201
-  Actuator
-  Bayonet flange Page 203
-  LED Page 204
-  Lamp block Page 210

Each Part Number listed below includes all the black components shown in the 3D-drawing.

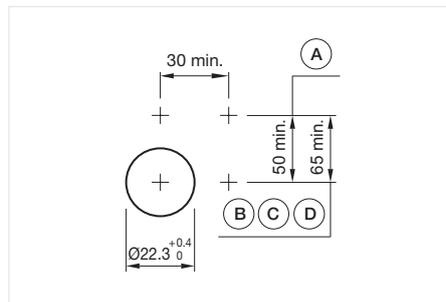
To obtain a complete unit, please select the red components from the pages shown.



Dimensions [mm]  
A = Screw terminal



Product can differ from the current configuration.



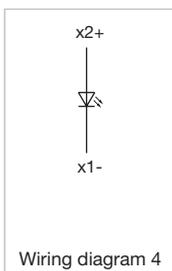
Mounting cut-outs [mm]  
A = Screw terminal  
B = Push-in terminal (PIT)  
C = Plug-in terminal 6.3 mm x 0.8 mm  
D = Double plug-in terminal 6.3 mm x 0.8 mm



Actuator, Front dimension Ø 29 mm

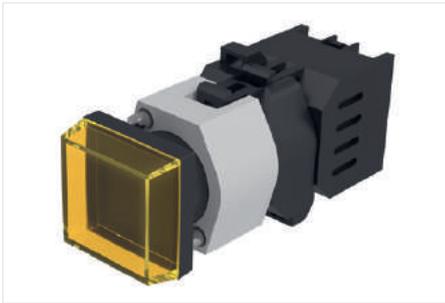
| Housing colour | Housing material | Part No.  | Wiring diagram |
|----------------|------------------|-----------|----------------|
| Grey           | Plastic          | 704.633.1 | 4              |

### Wiring diagrams

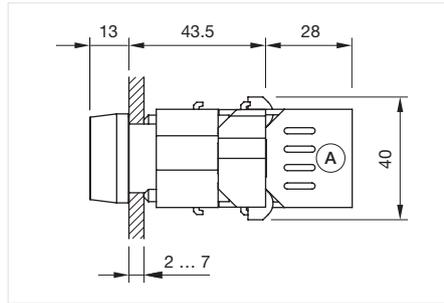


# 04 Raised design

## Flasher full-face illumination, square, IP65



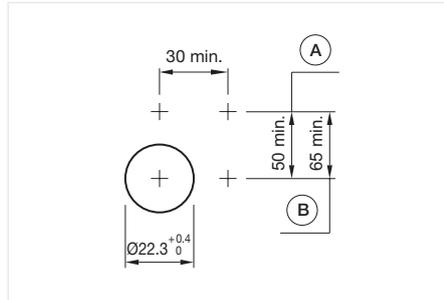
Product can differ from the current configuration.



Dimensions [mm]  
A = Screw terminal

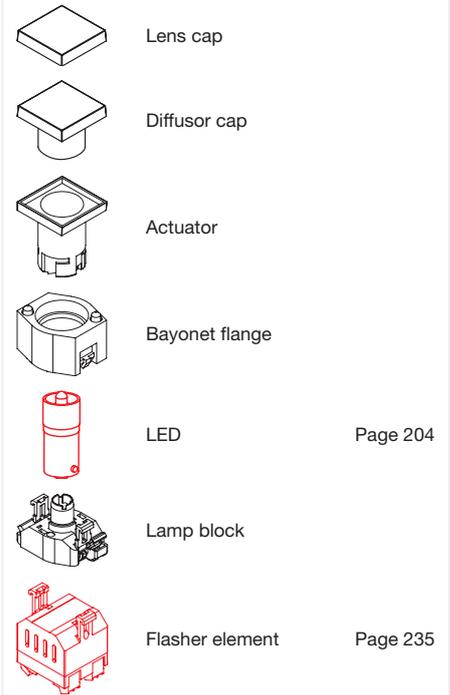
### General information

- The lamp block will be delivered with screw terminal



Mounting cut-outs [mm]  
A = Screw terminal  
B = Push-in terminal (PIT)

### Equipment consisting of (schematic overview)



Each Part Number listed below includes all the black components shown in the 3D-drawing.

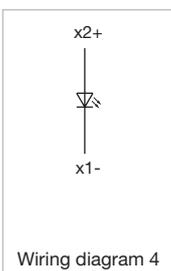
To obtain a complete unit, please select the red components from the pages shown.



### Actuator, Front dimension 30 mm x 30 mm

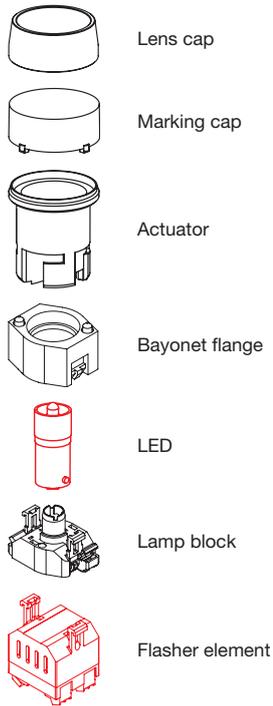
| Housing colour | Housing material | Front bezel colour | Front bezel material | Diffusor cap colour | Lens cap colour | Marking cap colour | Part No.  | Wiring diagram |
|----------------|------------------|--------------------|----------------------|---------------------|-----------------|--------------------|-----------|----------------|
| Grey           | Plastic          | Black              | Plastic              | White               | Red             | White              | 704.199.2 | 4              |
|                | Plastic          | Black              | Plastic              | White               | Yellow          | White              | 704.199.4 | 4              |
|                | Plastic          | Black              | Plastic              | White               | Green           | White              | 704.199.5 | 4              |
|                | Plastic          | Black              | Plastic              | White               | Colourless      | White              | 704.199.7 | 4              |
|                | Plastic          | Grey               | Plastic              | White               | Red             | White              | 704.200.2 | 4              |
|                | Plastic          | Grey               | Plastic              | White               | Yellow          | White              | 704.200.4 | 4              |
|                | Plastic          | Grey               | Plastic              | White               | Green           | White              | 704.200.5 | 4              |
|                | Plastic          | Grey               | Plastic              | White               | Blue            | White              | 704.200.6 | 4              |
|                | Plastic          | Grey               | Plastic              | White               | Colourless      | White              | 704.200.7 | 4              |

## Wiring diagrams



## Flasher full-face illumination, round, IP65

### Equipment consisting of (schematic overview)

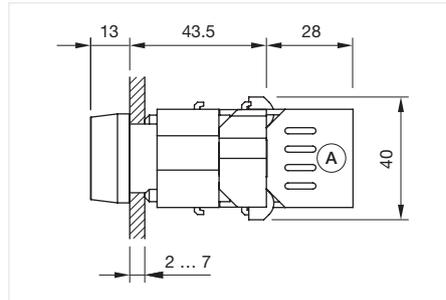


Page 204

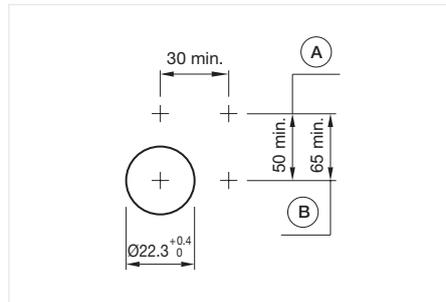
Page 235

Each Part Number listed below includes all the black components shown in the 3D-drawing.

To obtain a complete unit, please select the red components from the pages shown.



Dimensions [mm]  
A = Screw terminal



Mounting cut-outs [mm]  
A = Screw terminal  
B = Push-in terminal (PIT)



Product can differ from the current configuration.

### General information

- The lamp block will be delivered with screw terminal



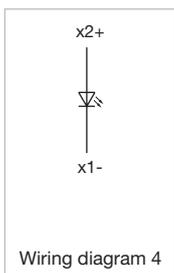
### Actuator, Front dimension Ø 29 mm

| Housing colour | Housing material | Diffusor cap colour | Diffusor cap surface | Lens cap colour | Marking cap colour | Marking cap surface | Part No.  | Wiring diagram |
|----------------|------------------|---------------------|----------------------|-----------------|--------------------|---------------------|-----------|----------------|
| Grey           | Plastic          | White               |                      | Red             | White              |                     | 704.000.2 | 4              |
|                | Plastic          | White               |                      | Yellow          | White              |                     | 704.000.4 | 4              |
|                | Plastic          | White               |                      | Green           | White              |                     | 704.000.5 | 4              |
|                | Plastic          | White               |                      | Blue            | White              |                     | 704.000.6 | 4              |
|                | Plastic          | White               |                      | Colourless      | White              |                     | 704.000.7 | 4              |
|                | Plastic          | White               |                      | Red             | Colourless         | ribbed              | 704.001.2 | 4              |
|                | Plastic          | White               | ribbed               | Yellow          | Colourless         | ribbed              | 704.001.4 | 4              |
|                | Plastic          | White               | ribbed               | Green           | Colourless         | ribbed              | 704.001.5 | 4              |
|                | Plastic          | White               | ribbed               | Blue            | Colourless         | ribbed              | 704.001.6 | 4              |
|                | Plastic          | White               | ribbed               | Colourless      | Colourless         | ribbed              | 704.001.7 | 4              |

# 04 Raised design

- 01
- 02
- 03
- 04**
- 09
- 14
- 17
- 18
- 19
- 22
- 31
- 41
- 45
- 51
- 56
- 57
- 61
- 70
- 71
- 82
- 84
- 92
- 96

## Wiring diagrams



Wiring diagram 4

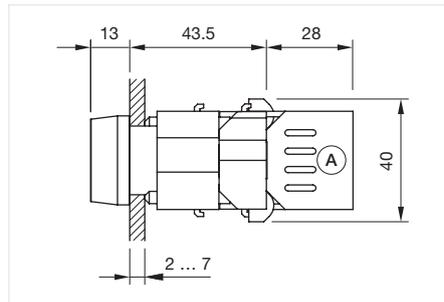
## Flasher full-face illumination, square, IP65

### Equipment consisting of (schematic overview)

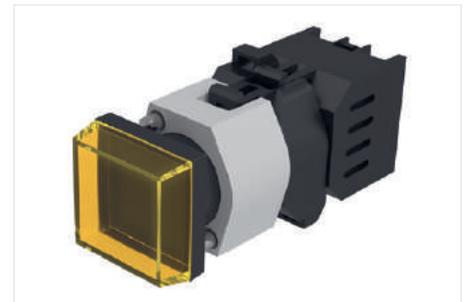
-  Lens cap Page 200
-  Diffusor cap Page 201
-  Actuator
-  Bayonet flange Page 203
-  LED Page 204
-  Lamp block Page 210
-  Flasher element Page 235

Each Part Number listed below includes all the black components shown in the 3D-drawing.

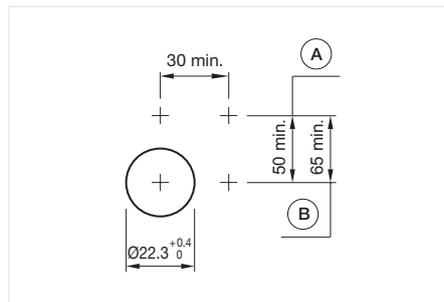
To obtain a complete unit, please select the red components from the pages shown.



Dimensions [mm]  
A = Screw terminal



Product can differ from the current configuration.



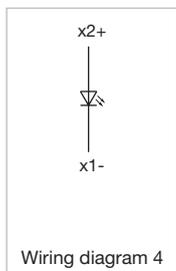
Mounting cut-outs [mm]  
A = Screw terminal  
B = Push-in terminal (PIT)



Actuator, Front dimension 30 mm x 30 mm

| Housing colour | Housing material | Part No.  | Wiring diagram |
|----------------|------------------|-----------|----------------|
| Black          | Plastic          | 704.730.0 | 4              |
| Grey           | Plastic          | 704.730.1 | 4              |

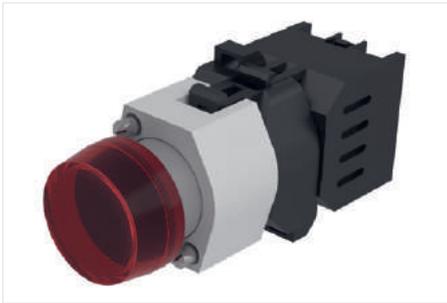
### Wiring diagrams



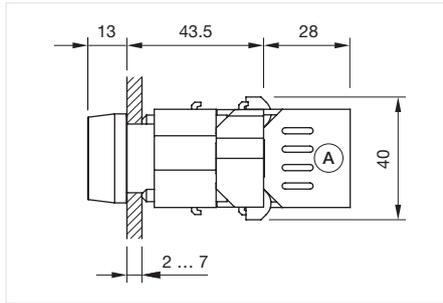
01  
02  
03  
**04**  
09  
14  
17  
18  
19  
22  
31  
41  
45  
51  
56  
57  
61  
70  
71  
82  
84  
92  
96

# 04 Raised design

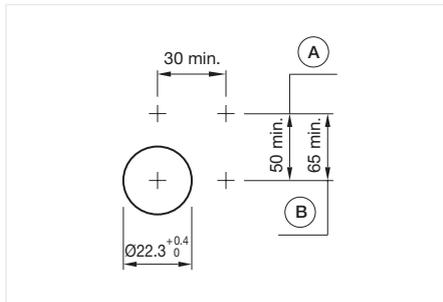
## Flasher full-face illumination, round, IP65



Product can differ from the current configuration.



Dimensions [mm]  
A = Screw terminal



Mounting cut-outs [mm]  
A = Screw terminal  
B = Push-in terminal (PIT)

### Equipment consisting of (schematic overview)

|  |                 |          |
|--|-----------------|----------|
|  | Lens cap        | Page 200 |
|  | Marking cap     | Page 201 |
|  | Actuator        |          |
|  | Bayonet flange  | Page 203 |
|  | LED             | Page 204 |
|  | Lamp block      | Page 210 |
|  | Flasher element | Page 235 |

Each Part Number listed below includes all the black components shown in the 3D-drawing.

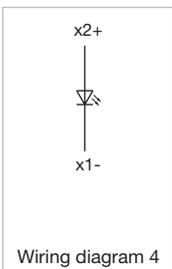
To obtain a complete unit, please select the red components from the pages shown.



Actuator, Front dimension Ø 29 mm

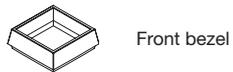
| Housing colour | Housing material | Part No.  | Wiring diagram |
|----------------|------------------|-----------|----------------|
| Grey           | Plastic          | 704.630.1 | 4              |

### Wiring diagrams

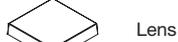


## Flasher front illumination, square, IP65

### Equipment consisting of (schematic overview)



Front bezel



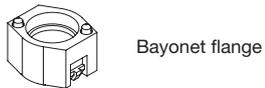
Lens



Lens holder



Actuator



Bayonet flange

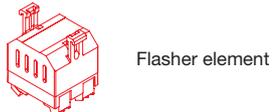


LED

Page 204



Lamp block

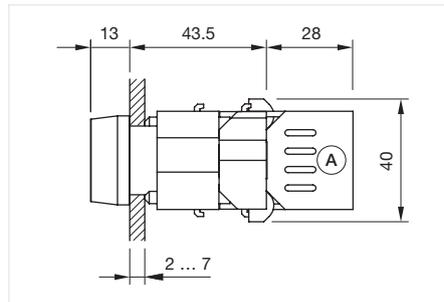


Flasher element

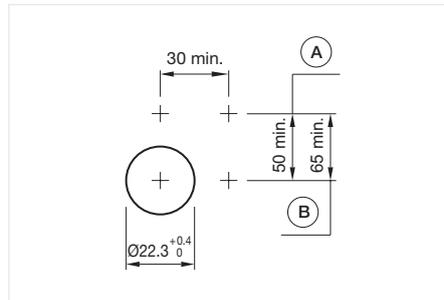
Page 235

Each Part Number listed below includes all the black components shown in the 3D-drawing.

To obtain a complete unit, please select the red components from the pages shown.



Dimensions [mm]  
A = Screw terminal



Mounting cut-outs [mm]  
A = Screw terminal  
B = Push-in terminal (PIT)



Product can differ from the current configuration.

### General information

- The lamp block will be delivered with screw terminal

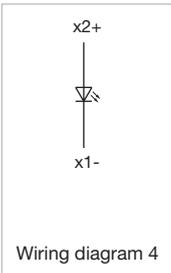


### Actuator, Front dimension 30 mm x 30 mm

| Housing colour | Housing material | Lens colour | Front bezel colour | Front bezel material | Marking plate colour | Marking plate optics | Part No.  | Wiring diagram |
|----------------|------------------|-------------|--------------------|----------------------|----------------------|----------------------|-----------|----------------|
| Black          | Plastic          | Red         | Grey               | Plastic              | White                | translucent          | 704.202.2 | 4              |
|                | Plastic          | Yellow      | Grey               | Plastic              | White                | translucent          | 704.202.4 | 4              |
|                | Plastic          | Green       | Grey               | Plastic              | White                | translucent          | 704.202.5 | 4              |
|                | Plastic          | Blue        | Grey               | Plastic              | White                | translucent          | 704.202.6 | 4              |
|                | Plastic          | Colourless  | Grey               | Plastic              | White                | translucent          | 704.202.7 | 4              |
|                | Plastic          | Red         | Grey               | Plastic              | Colourless           | transparent          | 704.203.2 | 4              |
|                | Plastic          | Yellow      | Grey               | Plastic              | Colourless           | transparent          | 704.203.4 | 4              |
|                | Plastic          | Green       | Grey               | Plastic              | Colourless           | transparent          | 704.203.5 | 4              |
|                | Plastic          | Blue        | Grey               | Plastic              | Colourless           | transparent          | 704.203.6 | 4              |
|                | Plastic          | Colourless  | Grey               | Plastic              | Colourless           | transparent          | 704.203.7 | 4              |
|                | Plastic          | Red         | Black              | Plastic              | White                | translucent          | 704.206.2 | 4              |
|                | Plastic          | Yellow      | Black              | Plastic              | White                | translucent          | 704.206.4 | 4              |
|                | Plastic          | Green       | Black              | Plastic              | White                | translucent          | 704.206.5 | 4              |
|                | Plastic          | Blue        | Black              | Plastic              | White                | translucent          | 704.206.6 | 4              |
|                | Plastic          | Colourless  | Black              | Plastic              | White                | translucent          | 704.206.7 | 4              |
|                | Plastic          | Green       | Black              | Plastic              | Colourless           | transparent          | 704.207.5 | 4              |
| Plastic        | Blue             | Black       | Plastic            | Colourless           | transparent          | 704.207.6            | 4         |                |

# 04 Raised design

## Wiring diagrams



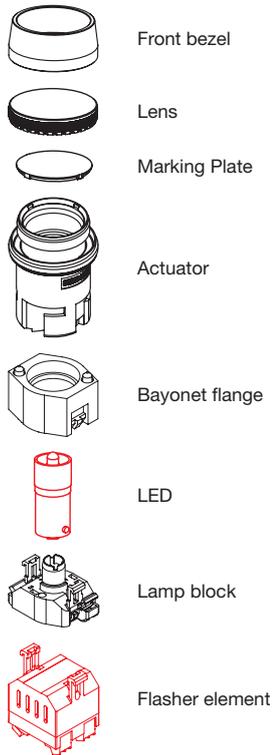
EAO Downloads.  
[www.eao.com/downloads](http://www.eao.com/downloads)  
*EAO creates possibilities. Since 1947.*



[On our website you can download technical data, assembly instructions, catalogs, brochures and much more.](http://www.eao.com/downloads)

## Flasher front illumination, round, IP65

### Equipment consisting of (schematic overview)

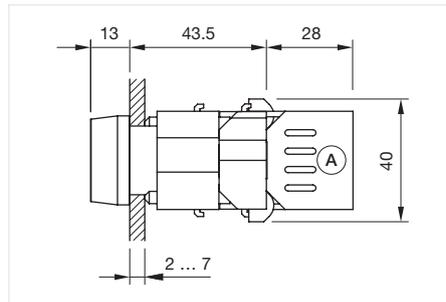


Page 204

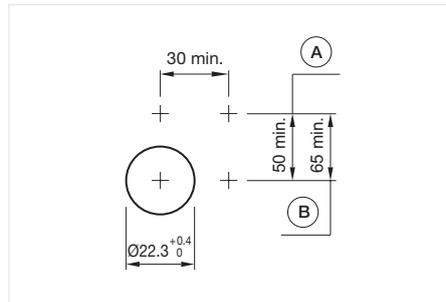
Page 235

Each Part Number listed below includes all the black components shown in the 3D-drawing.

To obtain a complete unit, please select the red components from the pages shown.



Dimensions [mm]  
A = Screw terminal



Mounting cut-outs [mm]  
A = Screw terminal  
B = Push-in terminal (PIT)



Product can differ from the current configuration.

### General information

- The lamp block will be delivered with screw terminal

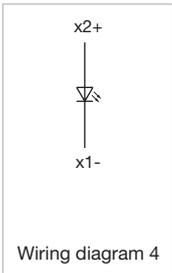


### Actuator, Front dimension Ø 29 mm

| Housing colour | Housing material | Lens colour | Front bezel colour | Front bezel material | Marking plate colour | Marking plate optics | Part No.  | Wiring diagram |
|----------------|------------------|-------------|--------------------|----------------------|----------------------|----------------------|-----------|----------------|
| Grey           | Plastic          | Red         | Grey               | Plastic              | White                | translucent          | 704.002.2 | 4              |
|                | Plastic          | Yellow      | Grey               | Plastic              | White                | translucent          | 704.002.4 | 4              |
|                | Plastic          | Green       | Grey               | Plastic              | White                | translucent          | 704.002.5 | 4              |
|                | Plastic          | Blue        | Grey               | Plastic              | White                | translucent          | 704.002.6 | 4              |
|                | Plastic          | Colourless  | Grey               | Plastic              | White                | translucent          | 704.002.7 | 4              |
|                | Plastic          | Red         | Grey               | Plastic              | Colourless           | transparent          | 704.003.2 | 4              |
|                | Plastic          | Yellow      | Grey               | Plastic              | Colourless           | transparent          | 704.003.4 | 4              |
|                | Plastic          | Green       | Grey               | Plastic              | Colourless           | transparent          | 704.003.5 | 4              |
|                | Plastic          | Blue        | Grey               | Plastic              | Colourless           | transparent          | 704.003.6 | 4              |
|                | Plastic          | Colourless  | Grey               | Plastic              | Colourless           | transparent          | 704.003.7 | 4              |
|                | Plastic          | Red         | Black              | Plastic              | White                | translucent          | 704.006.2 | 4              |
|                | Plastic          | Yellow      | Black              | Plastic              | White                | translucent          | 704.006.4 | 4              |
|                | Plastic          | Green       | Black              | Plastic              | White                | translucent          | 704.006.5 | 4              |
|                | Plastic          | Blue        | Black              | Plastic              | White                | translucent          | 704.006.6 | 4              |
|                | Plastic          | Colourless  | Black              | Plastic              | White                | translucent          | 704.006.7 | 4              |

# 04 Raised design

## Wiring diagrams



Wiring diagram 4

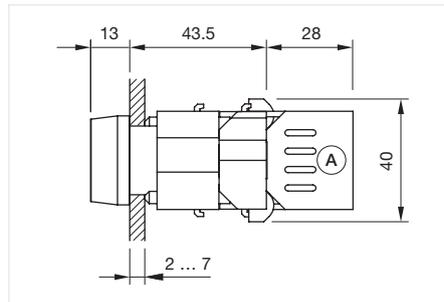
## Flasher front illumination, square, IP65

### Equipment consisting of (schematic overview)

|  |                 |          |
|--|-----------------|----------|
|   | Front bezel     | Page 202 |
|   | Lens            | Page 199 |
|   | Lens holder     | Page 201 |
|   | Actuator        |          |
|   | Bayonet flange  | Page 203 |
|   | LED             | Page 204 |
|   | Lamp block      | Page 210 |
|  | Flasher element | Page 235 |

Each Part Number listed below includes all the black components shown in the 3D-drawing.

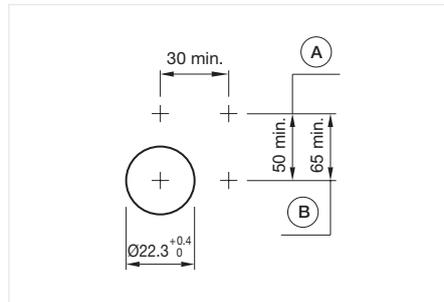
To obtain a complete unit, please select the red components from the pages shown.



Dimensions [mm]  
A = Screw terminal



Product can differ from the current configuration.



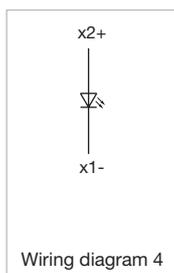
Mounting cut-outs [mm]  
A = Screw terminal  
B = Push-in terminal (PIT)



Actuator, Front dimension 30 mm x 30 mm

| Housing colour | Housing material | Part No.  | Wiring diagram |
|----------------|------------------|-----------|----------------|
| Black          | Plastic          | 704.733.0 | 4              |
| Grey           | Plastic          | 704.733.1 | 4              |

### Wiring diagrams

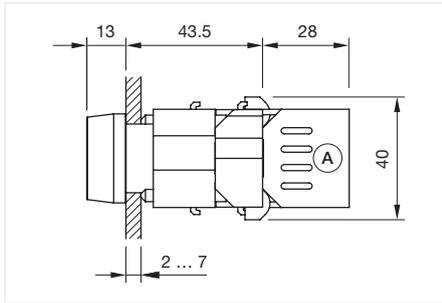


# 04 Raised design

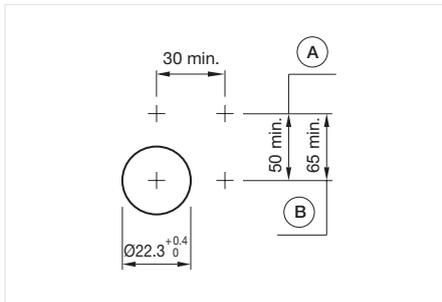
## Flasher front illumination, round, IP65



Product can differ from the current configuration.



Dimensions [mm]  
A = Screw terminal



Mounting cut-outs [mm]  
A = Screw terminal  
B = Push-in terminal (PIT)

### Equipment consisting of (schematic overview)

|  |                 |          |
|--|-----------------|----------|
|  | Front bezel     | Page 202 |
|  | Lens            | Page 199 |
|  | Marking Plate   | Page 201 |
|  | Actuator        |          |
|  | Bayonet flange  | Page 203 |
|  | LED             | Page 204 |
|  | Lamp block      | Page 210 |
|  | Flasher element | Page 235 |

Each Part Number listed below includes all the black components shown in the 3D-drawing.

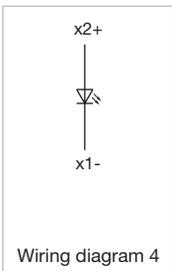
To obtain a complete unit, please select the red components from the pages shown.



Actuator, Front dimension Ø 29 mm

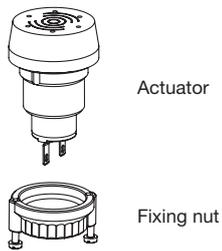
| Housing colour | Housing material | Part No.  | Wiring diagram |
|----------------|------------------|-----------|----------------|
| Grey           | Plastic          | 704.633.1 | 4              |

### Wiring diagrams

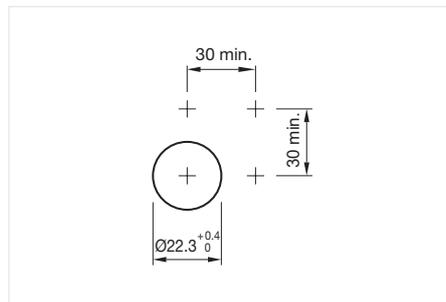
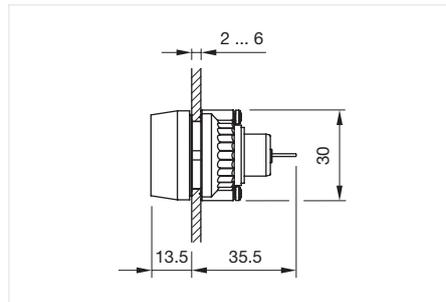


## Buzzer, IP65

### Equipment consisting of (schematic overview)



Each Part Number listed below includes all the black components shown in the 3D-drawing.



### General information

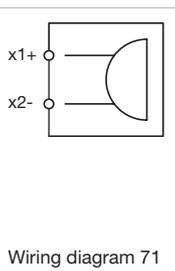
- Further information see Technical data
- The colour of anodised aluminium parts can vary due to technical production reasons



Actuator, Front dimension  $\varnothing$  29 mm

| Terminal         | Operating voltage | Front cap colour | Front cap material | Front cap surface | Part No.   | Wiring diagram |
|------------------|-------------------|------------------|--------------------|-------------------|------------|----------------|
| Plug-in terminal | 24 V DC           | Black            | Plastic            |                   | 14-810.002 | 71             |
|                  | 24 V DC           | Nature           | Aluminium          | anodised          | 14-810.902 | 71             |

## Wiring diagrams

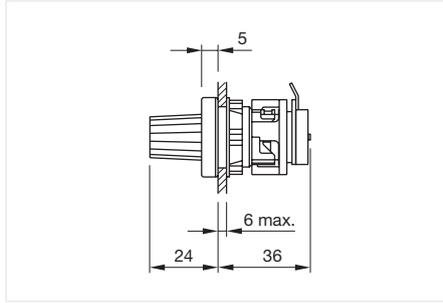


# 04 Raised design

## Potentiometer, IP65



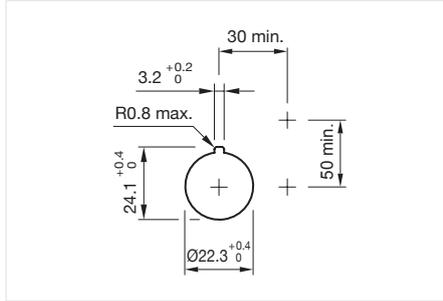
Product can differ from the current configuration.



Dimensions [mm]

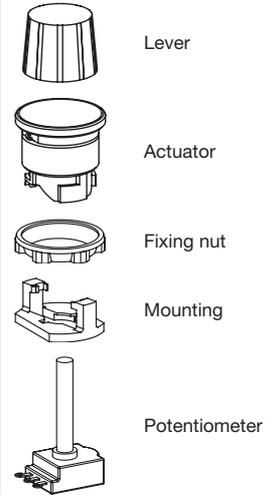
### General information

- Resistor 10 kOhm / linear, series E3



Mounting cut-outs [mm]

### Equipment consisting of (schematic overview)



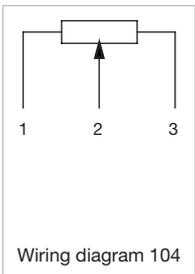
Each Part Number listed below includes all the black components shown in the 3D-drawing.



Actuator, Front dimension Ø 28 mm

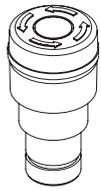
| Housing material | Front bezel colour | Front bezel material | Front bezel surface | Resistance | Part No.       | Wiring diagram |
|------------------|--------------------|----------------------|---------------------|------------|----------------|----------------|
| Plastic          |                    | Metal                | matt chrome         | 10 kOhm    | 44-745.20-10K1 | 104            |
|                  | Matt grey          | Plastic              |                     | 10 kOhm    | 44-745.60-10K1 | 104            |

## Wiring diagrams



## Stop switch Ø 37 mm, IP65

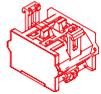
### Equipment consisting of (schematic overview)



Actuator



Bayonet flange

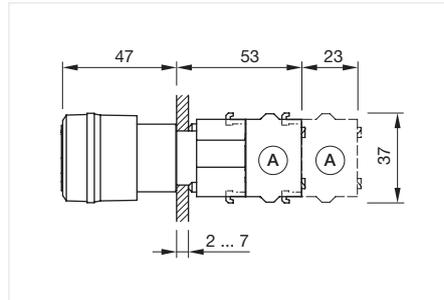


Switching element

Page 213

Each Part Number listed below includes all the black components shown in the 3D-drawing.

To obtain a complete unit, please select the red components from the pages shown.



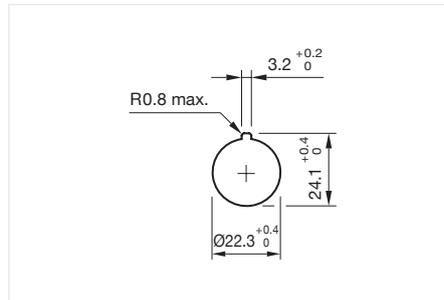
Dimensions [mm]  
A = Screw terminal



Product can differ from the current configuration.

### General information

- Max. 2 switching elements can be clipped on



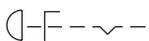
Mounting cut-outs [mm]



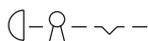
Actuator, Front dimension Ø 37 mm

| Switching action | Housing colour | Housing material | Lens colour | Marking | Product attributes        | Part No.  | Wiring diagram |
|------------------|----------------|------------------|-------------|---------|---------------------------|-----------|----------------|
| Maintained       | Yellow         | Plastic          | Red         | Arrows  | Twist to unlock clockwise | 704.064.2 | 363            |
|                  | Yellow         | Plastic          | Red         | Arrows  | Key to unlock clockwise   | 704.066.2 | 364            |

### Wiring diagrams



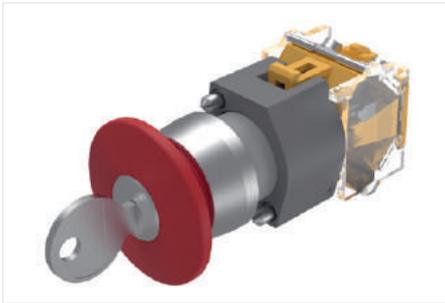
Wiring diagram 363



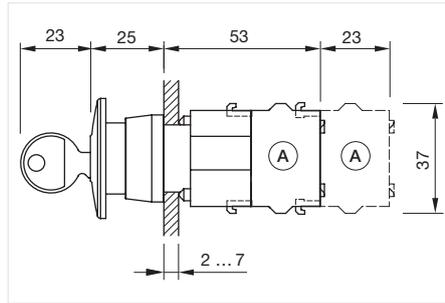
Wiring diagram 364

# 04 Raised design

## Stop switch Ø 40 mm, IP65



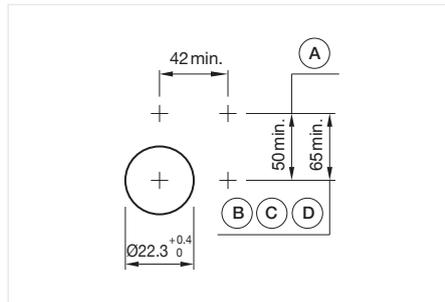
Product can differ from the current configuration.



Dimensions [mm]  
A = Screw terminal

### General information

- The standard lock Ronis 251
- The colour of anodised aluminium parts can vary due to technical production reasons

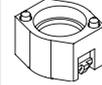


Mounting cut-outs [mm]  
A = Screw terminal  
B = Push-in terminal (PIT)  
C = Plug-in terminal 6.3 mm x 0.8 mm  
D = Double plug-in terminal 6.3 mm x 0.8 mm

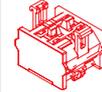
### Equipment consisting of (schematic overview)



Actuator



Bayonet flange



Switching element

Page 213

Each Part Number listed below includes all the black components shown in the 3D-drawing.

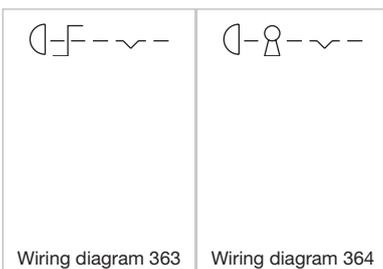
To obtain a complete unit, please select the red components from the pages shown.



### Actuator, Front dimension Ø 40 mm

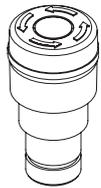
| Switching action | Housing colour | Housing material | Lens colour | Marking | Product attributes        | Front bezel colour | Front bezel material | Front bezel surface | Part No.  | Wiring diagram |
|------------------|----------------|------------------|-------------|---------|---------------------------|--------------------|----------------------|---------------------|-----------|----------------|
| Maintained       | Grey           | Plastic          | Red         | Arrows  | Twist to unlock clockwise | Grey               | Plastic              |                     | 704.074.2 | 363            |
|                  | Grey           | Plastic          | Red         | Stop    | Twist to unlock clockwise | Grey               | Plastic              |                     | 704.074.3 | 363            |
|                  | Grey           | Plastic          | Red         | Arrows  | Twist to unlock clockwise | Nature             | Aluminium            | anodised            | 704.075.2 | 363            |
|                  | Grey           | Plastic          | Red         | Stop    | Twist to unlock clockwise | Nature             | Aluminium            | anodised            | 704.075.3 | 363            |
|                  | Grey           | Plastic          | Red         |         | Key to unlock clockwise   | Grey               | Plastic              |                     | 704.076.0 | 364            |
|                  | Grey           | Plastic          | Red         |         | Key to unlock clockwise   | Nature             | Aluminium            | anodised            | 704.078.0 | 364            |

## Wiring diagrams

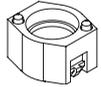


## Emergency stop switch, foolproof EN IEC 60974-5-5, IP65

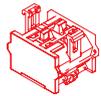
### Equipment consisting of (schematic overview)



Actuator



Bayonet flange

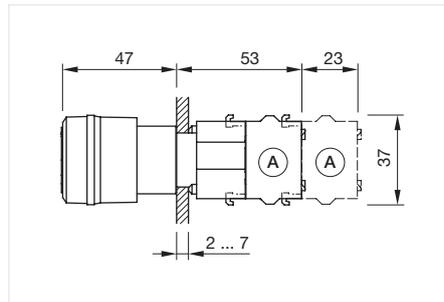


Switching element

Page 223

Each Part Number listed below includes all the black components shown in the 3D-drawing.

To obtain a complete unit, please select the red components from the pages shown.



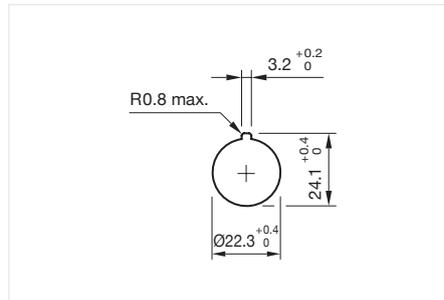
Dimensions [mm]  
A = Screw terminal



Product can differ from the current configuration.

### General information

- Max. 2 switching elements can be clipped on
- Shaft yellow



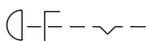
Mounting cut-outs [mm]



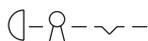
Actuator, Front dimension Ø 37 mm

| Switching action | Housing colour | Housing material | Lens colour | Marking | Product attributes        | Part No.   | Wiring diagram |
|------------------|----------------|------------------|-------------|---------|---------------------------|------------|----------------|
| Maintained       | Yellow         | Plastic          | Red         | Arrows  | Twist to unlock clockwise | 704.064.2A | 363            |
|                  | Yellow         | Plastic          | Red         | Arrows  | Twist to unlock clockwise | 704.066.2A | 364            |

### Wiring diagrams



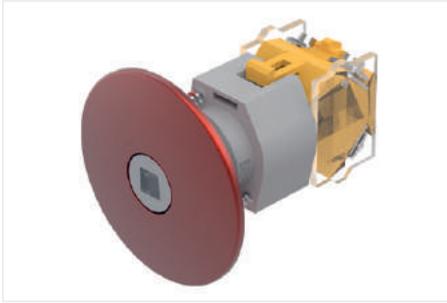
Wiring diagram 363



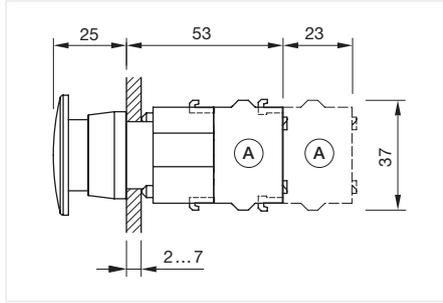
Wiring diagram 364

# 04 Raised design

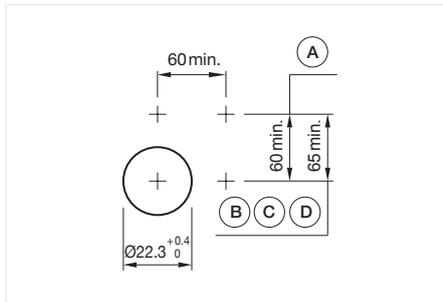
## Emergency call switch, IP65



Product can differ from the current configuration.

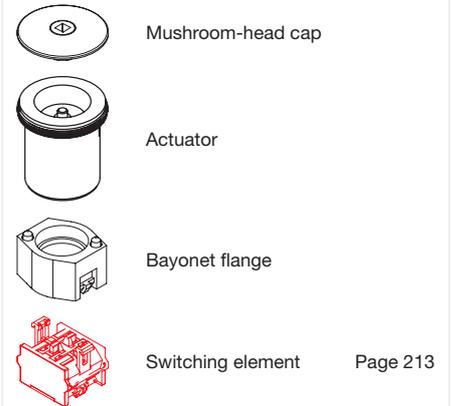


Dimensions [mm]  
A = Screw terminal



Mounting cut-outs [mm]  
A = Screw terminal  
B = Push-in terminal (PIT)  
C = Plug-in terminal 6.3 mm x 0.8 mm  
D = Double plug-in terminal 6.3 mm x 0.8 mm

### Equipment consisting of (schematic overview)



Each Part Number listed below includes all the black components shown in the 3D-drawing.

To obtain a complete unit, please select the red components from the pages shown.



Actuator, Front dimension Ø 60 mm

| Switching action | Lens colour | Lens material | Housing colour | Housing material | Part No.   | Wiring diagram |
|------------------|-------------|---------------|----------------|------------------|------------|----------------|
| Maintained       | Red         | Plastic       | Grey           | Plastic          | 704.077.2D | 364            |

## Wiring diagrams





## Lens plastic raised

| Lens material | Lens colour | Lens optics | Lens shape | Lens illumination | Dimensions | Part No.  |
|---------------|-------------|-------------|------------|-------------------|------------|-----------|
| Plastic       | Red         | transparent | flush      | illuminative      | Ø 23,7 mm  | 704.611.2 |
|               | Yellow      | transparent | flush      | illuminative      | Ø 23,7 mm  | 704.611.4 |
|               | Green       | transparent | flush      | illuminative      | Ø 23,7 mm  | 704.611.5 |
|               | Blue        | transparent | flush      | illuminative      | Ø 23,7 mm  | 704.611.6 |
|               | Colourless  | transparent | flush      | illuminative      | Ø 23,7 mm  | 704.611.7 |

### Additional information

- To obtain IP67, use marking plate Part Nr. 704.610.X



## Lens plastic square

| Lens material | Lens colour | Lens optics | Lens shape | Lens illumination | Dimensions        | Part No.  |
|---------------|-------------|-------------|------------|-------------------|-------------------|-----------|
| Plastic       | Black       | opaque      | flush      | non illuminative  | 24,4 mm x 24,4 mm | 704.702.0 |
|               | White       | opaque      | flush      | non illuminative  | 24,4 mm x 24,4 mm | 704.702.9 |
|               | Red         | transparent | flush      | illuminative      | 24,4 mm x 24,4 mm | 704.702.2 |
|               | Yellow      | transparent | flush      | illuminative      | 24,4 mm x 24,4 mm | 704.702.4 |
|               | Green       | transparent | flush      | illuminative      | 24,4 mm x 24,4 mm | 704.702.5 |
|               | Blue        | transparent | flush      | illuminative      | 24,4 mm x 24,4 mm | 704.702.6 |
|               | Colourless  | transparent | flush      | illuminative      | 24,4 mm x 24,4 mm | 704.702.7 |



## Lens metal round spot round

| Lens material   | Lens colour | Lens optics | Lens shape | Lens illumination | Dimensions | Part No.    |
|-----------------|-------------|-------------|------------|-------------------|------------|-------------|
| Aluminium       | Black       | opaque      | flush      | illuminative      | Ø 23,7 mm  | 704.601.01  |
|                 | Red         | opaque      | flush      | illuminative      | Ø 23,7 mm  | 704.601.21  |
|                 | Gold        | opaque      | flush      | illuminative      | Ø 23,7 mm  | 704.601.41  |
|                 | Olive green | opaque      | flush      | illuminative      | Ø 23,7 mm  | 704.601.51  |
|                 | Blue        | opaque      | flush      | illuminative      | Ø 23,7 mm  | 704.601.61  |
|                 | Nature      | opaque      | flush      | illuminative      | Ø 23,7 mm  | 704.601.81  |
| Stainless steel | Nature      | opaque      | flush      | illuminative      | Ø 23,7 mm  | 704.601.91  |
|                 | Nature      | opaque      | flush      | illuminative      | Ø 23,7 mm  | 704.601.101 |

### Additional information

- The colour of anodised aluminium parts can vary due to technical production reasons
- To obtain IP65, it is necessary to use marking plate Part No.. 704.609.X

# 04 Components



**Lens metal round**

| Lens material   | Lens colour | Lens optics | Lens shape | Lens illumination | Dimensions | Part No.   |
|-----------------|-------------|-------------|------------|-------------------|------------|------------|
| Aluminium       | Black       | opaque      | flush      | non illuminative  | Ø 23,7 mm  | 704.601.0  |
|                 | Red         | opaque      | flush      | non illuminative  | Ø 23,7 mm  | 704.601.2  |
|                 | Gold        | opaque      | flush      | non illuminative  | Ø 23,7 mm  | 704.601.4  |
|                 | Olive green | opaque      | flush      | non illuminative  | Ø 23,7 mm  | 704.601.5  |
|                 | Blue        | opaque      | flush      | non illuminative  | Ø 23,7 mm  | 704.601.6  |
|                 | Nature      | opaque      | flush      | non illuminative  | Ø 23,7 mm  | 704.601.8  |
| Stainless steel | Nature      | opaque      | flush      | non illuminative  | Ø 23,7 mm  | 704.601.9  |
|                 | Nature      | opaque      | flush      | non illuminative  | Ø 23,7 mm  | 704.601.10 |

**Additional information**

- The colour of anodised aluminium parts can vary due to technical production reasons
- To obtain IP65, it is necessary to use marking plate Part No.. 704.609.X



**Lens plastic round**

| Lens material | Lens colour | Lens optics | Lens shape | Lens illumination | Symbol | Dimensions | Part No.     |
|---------------|-------------|-------------|------------|-------------------|--------|------------|--------------|
| Plastic       | Black       | opaque      | flush      | non illuminative  |        | Ø 23.7 mm  | 704.602.0    |
|               | Red         | transparent | flush      | illuminative      |        | Ø 23,7 mm  | 704.602.2    |
|               | Yellow      | transparent | flush      | illuminative      |        | Ø 23,7 mm  | 704.602.4    |
|               | Green       | transparent | flush      | illuminative      |        | Ø 23,7 mm  | 704.602.5    |
|               | Blue        | transparent | flush      | illuminative      |        | Ø 23,7 mm  | 704.602.6    |
|               | Colourless  | transparent | flush      | illuminative      |        | Ø 23,7 mm  | 704.602.7    |
|               | Silver      | transparent | flush      | illuminative      | Ring   | Ø 23,7 mm  | 704.602.7A01 |

**Additional information**

- To obtain IP67, use marking plate Part No. 704.609.9
- To obtain IP67 use marking plate Part No. 704.609.9A01 (ring illumination)



**Lens cap round for full face indicator**

| Lens cap material | Lens cap colour | Lens cap optical effect | Diameter | Part No.  |
|-------------------|-----------------|-------------------------|----------|-----------|
| Plastic           | Red             | transparent             | 29 mm    | 704.603.2 |
|                   | Yellow          | transparent             | 29 mm    | 704.603.4 |
|                   | Green           | transparent             | 29 mm    | 704.603.5 |
|                   | Blue            | transparent             | 29 mm    | 704.603.6 |
|                   | Colourless      | transparent             | 29 mm    | 704.603.7 |

**Additional information**

- To obtain IP67, use marking plate Part Nr. 704.608.X



## Lens holder

| Marking plate material | Marking plate colour | Marking plate illumination | Part No.  |
|------------------------|----------------------|----------------------------|-----------|
| Plastic                | Colourless           | illuminative               | 704.709.7 |
|                        | White                | illuminative               | 704.709.9 |

### Additional information

- For square lens



## Marking cap for lens cap round

| Marking cap material | Marking cap colour | Marking cap optics | Dimensions | Marking cap surface | Part No.  |
|----------------------|--------------------|--------------------|------------|---------------------|-----------|
| Plastic              | Colourless         | transparent        | Ø 29 mm    | ribbed              | 704.608.7 |
|                      | White              | translucent        | Ø 29 mm    |                     | 704.608.9 |



## Marking cap round raised profile

| Marking cap material | Marking cap colour | Marking cap optics | Dimensions | Marking cap surface | Part No.  |
|----------------------|--------------------|--------------------|------------|---------------------|-----------|
| Plastic              | Colourless         | transparent        | Ø 29 mm    | ribbed              | 704.610.7 |
|                      | White              | translucent        | Ø 29 mm    |                     | 704.610.9 |



## Marking cap round flat

| Marking plate material | Marking plate colour | Marking plate optics | Marking plate illumination | Part No.     |
|------------------------|----------------------|----------------------|----------------------------|--------------|
| Plastic                | Black                | opaque               | non illuminative           | 704.609.0    |
|                        | Colourless           | transparent          | illuminative               | 704.609.7    |
|                        | White                | translucent          | illuminative               | 704.609.9    |
|                        | White                | translucent          | ring illumination          | 704.609.9A01 |



## Diffusor cap

| Product attributes | Diffusor cap colour | Diffusor cap optics | Diffusor cap illumination | Part No.  |
|--------------------|---------------------|---------------------|---------------------------|-----------|
| Can be marked      | Colourless          | transparent         | illuminative              | 704.708.7 |
|                    | White               | translucent         | illuminative              | 704.708.9 |

# 04 Components



Front bezel round, raised design

| Front bezel material | Front bezel colour | Front bezel surface | Dimensions      | Part No.   |
|----------------------|--------------------|---------------------|-----------------|------------|
| Plastic              | Black              |                     | Ø 29 mm         | 704.600.0  |
|                      | Grey               |                     | Ø 29 mm         | 704.600.6  |
|                      | Grey               |                     | Ø 29 mm x 16 mm | 704.600.7  |
| Aluminium            | Nature             | anodised            | Ø 29 mm         | 704.600.1  |
|                      | Black              | anodised            | Ø 29 mm         | 704.600.1A |
| Stainless steel      | Nature             |                     | Ø 29 mm         | 704.600.9  |

#### Additional information

- The colour of anodised aluminium parts can vary due to technical production reasons



Front bezel square, raised design

| Front bezel material | Front bezel colour | Front bezel surface | Dimensions    | Part No.  |
|----------------------|--------------------|---------------------|---------------|-----------|
| Plastic              | Black              |                     | 30 mm x 30 mm | 704.701.0 |
|                      | Chrome coloured    | chrome plated       | 30 mm x 30 mm | 704.701.4 |
|                      | Grey               |                     | 30 mm x 30 mm | 704.701.6 |



Front bezel set flush design

| Front bezel material | Front bezel colour | Front bezel surface | Dimensions | Part No.   |
|----------------------|--------------------|---------------------|------------|------------|
| Aluminium            | Black              | anodised            | Ø 35 mm    | 704.955.0  |
|                      | Nature             | anodised            | Ø 35 mm    | 704.955.1  |
| Stainless steel 304  | Nature             |                     | Ø 35 mm    | 704.955.9  |
| Stainless steel 316  | Nature             |                     | Ø 35 mm    | 704.955.10 |

#### Additional information

- The colour of anodised aluminium parts can vary due to technical production reasons



Front bezel set protective membrane

| Product attributes   | Front bezel material | Front bezel colour | Front bezel surface | Dimensions | Part No.   |
|--|----------------------|--------------------|---------------------|------------|------------|
| With transparent silicone membrane                         | Aluminium            | Nature             | anodised            | Ø 35 mm    | 704.955.3  |
|  | Aluminium            | Black              | anodised            | Ø 35 mm    | 704.955.4  |
| With transparent silicone membrane, resistant to sea water | Stainless steel      | Nature             |                     | Ø 35 mm    | 704.955.9E |

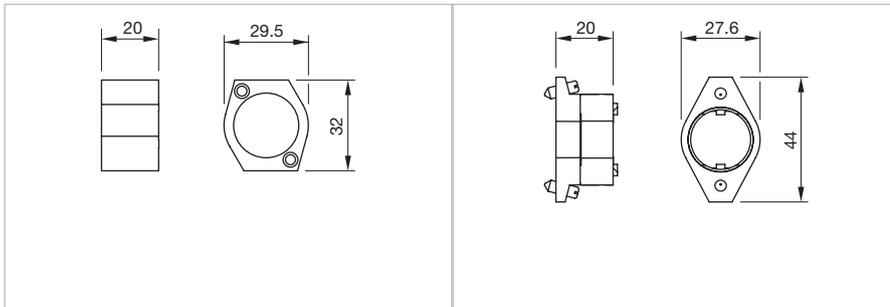
#### Additional information

- The colour of anodised aluminium parts can vary due to technical production reasons



## Bayonet flange

| Material | Part No.  |
|----------|-----------|
| plastic  | 704.950.5 |
| metal    | 704.960.5 |



Dimensions [mm]  
for Part No. 704.950.5

Dimensions [mm]  
for Part No. 704.960.5

- 01
- 02
- 03
- 04**
- 09
- 14
- 17
- 18
- 19
- 22
- 31
- 41
- 45
- 51
- 56
- 57
- 61
- 70
- 71
- 82
- 84
- 92
- 96

**Green Touch.**  
**Offering sustainability.**  
*EAO creates possibilities. Since 1947.*

**As a successful company with production sites around the world, EAO is actively committed to the effective implementation of a sustainable environmental policy.**

We act responsibly. In our environmental focus, we set benchmarks for ourselves, our products and our customers. Throughout our entire value chain, we think and work in a way that is resource-efficient and environmentally-friendly. When selecting our components and raw materials, we ensure that we have partnerships in place with certified manufacturers and that we adhere to EC guidelines on hazardous materials (RoHS).

[www.eao.com](http://www.eao.com)

Your Expert Partner for Human Machine Interfaces

# 04 Components

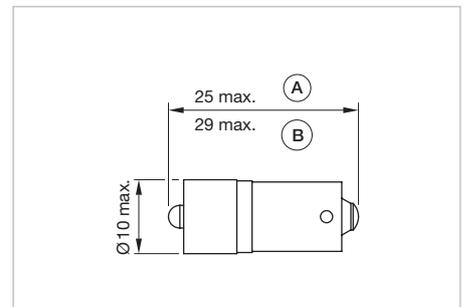


Single-LED, BA9s

| Illumination colour | Operating voltage | Operation current | Lumi. Intensity | Dom. Wavelength      | Part No.     | Wiring diagram |
|---------------------|-------------------|-------------------|-----------------|----------------------|--------------|----------------|
| Red                 | 6 V AC/DC +10%    | 17 mA ±15 %       | 400 mcd         | 630 nm               | 10-2506.1082 | 70             |
|                     | 12 V AC/DC +10%   | 16 mA ±15 %       | 390 mcd         | 630 nm               | 10-2509.1142 | 70             |
|                     | 24 V AC/DC +10%   | 15 mA ±15 %       | 350 mcd         | 630 nm               | 10-2512.1142 | 70             |
|                     | 28 V AC/DC +10%   | 13 mA ±15 %       | 300 mcd         | 630 nm               | 10-2513.1142 | 70             |
|                     | 48 V AC/DC +10%   | 8 mA ±15 %        | 200 mcd         | 630 nm               | 10-2519.1052 | 70             |
|                     | 130 V AC/DC +10%  | 3 mA ±15 %        | 120 mcd         | 630 nm               | 10-2524.3042 | 70             |
|                     | 130 V AC/DC +10%  | 5 mA ±15 %        | 180 mcd         | 630 nm               | 10-2H24.2052 | 70             |
|                     | 230 V AC/DC +10%  | 3 mA ±15 %        | 120 mcd         | 630 nm               | 10-2H25.2042 | 70             |
| Yellow              | 6 V AC/DC +10%    | 17 mA ±15 %       | 340 mcd         | 587 nm               | 10-2506.1084 | 70             |
|                     | 12 V AC/DC +10%   | 16 mA ±15 %       | 340 mcd         | 587 nm               | 10-2509.1144 | 70             |
|                     | 24 V AC/DC +10%   | 15 mA ±15 %       | 300 mcd         | 587 nm               | 10-2512.1144 | 70             |
|                     | 28 V AC/DC +10%   | 13 mA ±15 %       | 270 mcd         | 587 nm               | 10-2513.1144 | 70             |
|                     | 48 V AC/DC +10%   | 8 mA ±15 %        | 180 mcd         | 587 nm               | 10-2519.1054 | 70             |
|                     | 130 V AC/DC +10%  | 3 mA ±15 %        | 110 mcd         | 587 nm               | 10-2524.3044 | 70             |
|                     | 130 V AC/DC +10%  | 5 mA ±15 %        | 160 mcd         | 587 nm               | 10-2H24.2054 | 70             |
|                     | 230 V AC/DC +10%  | 3 mA ±15 %        | 110 mcd         | 587 nm               | 10-2H25.2044 | 70             |
| Green               | 6 V AC/DC +10%    | 7 mA ±15 %        | 1050 mcd        | 525 nm               | 10-2506.1085 | 70             |
|                     | 12 V AC/DC +10%   | 7 mA ±15 %        | 1050 mcd        | 525 nm               | 10-2509.1145 | 70             |
|                     | 24 V AC/DC +10%   | 7 mA ±15 %        | 1050 mcd        | 525 nm               | 10-2512.1145 | 70             |
|                     | 28 V AC/DC +10%   | 7 mA ±15 %        | 1050 mcd        | 525 nm               | 10-2513.1145 | 70             |
|                     | 48 V AC/DC +10%   | 4 mA ±15 %        | 600 mcd         | 525 nm               | 10-2519.1055 | 70             |
|                     | 130 V AC/DC +10%  | 2 mA ±15 %        | 300 mcd         | 525 nm               | 10-2524.3045 | 70             |
|                     | 130 V AC/DC +10%  | 3 mA ±15 %        | 450 mcd         | 525 nm               | 10-2H24.2055 | 70             |
|                     | 230 V AC/DC +10%  | 2 mA ±15 %        | 300 mcd         | 525 nm               | 10-2H25.2045 | 70             |
| Blue                | 6 V AC/DC +10%    | 17 mA ±15 %       | 780 mcd         | 470 nm               | 10-2506.1086 | 70             |
|                     | 12 V AC/DC +10%   | 16 mA ±15 %       | 720 mcd         | 470 nm               | 10-2509.1146 | 70             |
|                     | 24 V AC/DC +10%   | 15 mA ±15 %       | 680 mcd         | 470 nm               | 10-2512.1146 | 70             |
|                     | 28 V AC/DC +10%   | 13 mA ±15 %       | 590 mcd         | 470 nm               | 10-2513.1146 | 70             |
|                     | 48 V AC/DC +10%   | 8 mA ±15 %        | 400 mcd         | 470 nm               | 10-2519.1056 | 70             |
|                     | 130 V AC/DC +10%  | 3 mA ±15 %        | 200 mcd         | 470 nm               | 10-2524.3046 | 70             |
|                     | 130 V AC/DC +10%  | 5 mA ±15 %        | 230 mcd         | 470 nm               | 10-2H24.2056 | 70             |
|                     | 230 V AC/DC +10%  | 3 mA ±15 %        | 200 mcd         | 470 nm               | 10-2H25.2046 | 70             |
| White               | 6 V AC/DC +10%    | 5 mA ±15 %        | 750 mcd         | x: 0.31 / y: 0.32 nm | 10-2506.1089 | 70             |
|                     | 12 V AC/DC +10%   | 8 mA ±15 %        | 1200 mcd        | x: 0.31 / y: 0.32 nm | 10-2509.1149 | 70             |
|                     | 24 V AC/DC +10%   | 7 mA ±15 %        | 1050 mcd        | x: 0.31 / y: 0.32 nm | 10-2512.1149 | 70             |
|                     | 28 V AC/DC +10%   | 5 mA ±15 %        | 750 mcd         | x: 0.31 / y: 0.32 nm | 10-2513.1149 | 70             |
|                     | 48 V AC/DC +10%   | 5 mA ±15 %        | 750 mcd         | x: 0.31 / y: 0.32 nm | 10-2519.1059 | 70             |
|                     | 130 V DC +10%     | 1,5 mA ±15 %      | 225 mcd         | x: 0.31 / y: 0.32 nm | 10-2524.3049 | 70             |
|                     | 130 V AC +10%     | 2 mA ±15 %        | 300 mcd         | x: 0.31 / y: 0.32 nm | 10-2H24.2059 | 70             |
|                     | 230 V AC/DC +10%  | 1,5 mA ±15 %      | 225 mcd         | x: 0.31 / y: 0.32 nm | 10-2H25.2049 | 70             |

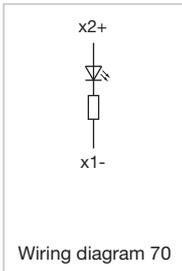
## Additional information

- The specified 6 V DC, 24 V DC Bi-colour; 130 V AC, 130 V DC and 230 V AC versions are built with a protection diode
- The specified 12, 24, 28, 48 VAC/DC versions are built with a bridge rectifier
- The specified 130 VAC types are developed to run on a supply voltage of 130 VAC only
- An operation at a higher supply voltage using commercial lampholders with integrated resistors, is not approved
- If the 24VDC Bi-colour lamp is driven with normal polarity (plus on middle contact of the lamp) the first mentioned colour will light up, with inverted polarity the second colour will light up
- The luminous intensity stated is for when used with DC
- Electrical and optical data are measured at 25 °C
- Luminosity and wave length variations caused by LED manufacturing processes may cause slight differences regarding the illumination. The customer has to decide what resistor shall be used to the LED



Dimensions [mm]

## Wiring diagrams

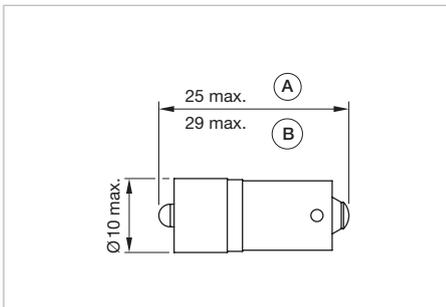


### Single-LED super bright

| Illumination colour | Operating voltage | Operation current | Lumi. Intensity | Dom. Wavelength | Part No.      | Wiring diagram |
|---------------------|-------------------|-------------------|-----------------|-----------------|---------------|----------------|
| Red                 | 28 V AC/DC +10%   | 14 mA $\pm$ 15 %  | 7700 mcd        | 630 nm          | 10-2413.1132R | 70             |
| Green               | 28 V AC/DC +10%   | 13 mA $\pm$ 15 %  | 12400 mcd       | 525 nm          | 10-2413.1125R | 70             |
| Yellow              | 28 V AC/DC +10%   | 14 mA $\pm$ 15 %  | 4200 mcd        | 589 nm          | 10-2413.1134R | 70             |

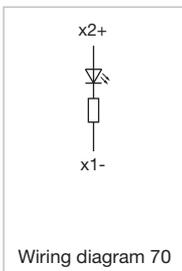
#### Additional information

- The specified 12, 24, 28, 48 VAC/DC versions are built with a bridge rectifier
- Electrical and optical data are measured at 25 °C
- Luminosity and wave length variations caused by LED manufacturing processes may cause slight differences regarding the illumination. The customer has to decide what resistor shall be used to the LED



Dimensions [mm]  
 A = (standard)  
 B = (super bright)

## Wiring diagrams



# 04 Components

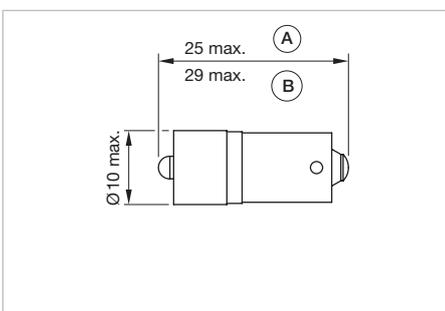


## Single-LED with integrated Zener diode, BA9s

| Illumination colour | Operating voltage    | Operation current     | Lumi. Intensity | Dom. Wavelength | Part No.      | Wiring diagram |
|---------------------|----------------------|-----------------------|-----------------|-----------------|---------------|----------------|
| Red                 | 24 - 30 V AC/DC +10% | 13 - 19 mA $\pm$ 15 % | 300 - 440 mcd   | 630 nm          | 10-2H13.3162Q | 367            |
| Green               | 24 - 30 V AC/DC +10% | 12 - 18 mA $\pm$ 15 % | 1800 - 2700 mcd | 525 nm          | 10-2H13.3165Q | 367            |
| Yellow              | 24 - 30 V AC/DC +10% | 13 - 19 mA $\pm$ 15 % | 270 - 380 mcd   | 589 nm          | 10-2H13.3164Q | 367            |
| Blue                | 24 - 30 V AC/DC +10% | 12 - 18 mA $\pm$ 15 % | 560 - 800 mcd   | 589 nm          | 10-2H13.3166Q | 367            |
| White               | 24 - 30 V AC/DC +10% | 7 - 11 mA $\pm$ 15 %  | 600 - 900 mcd   | 589 nm          | 10-2H13.3169Q | 367            |

### Additional information

- Luminosity and wave length variations caused by LED manufacturing processes may cause slight differences regarding the illumination. The customer has to decide what resistor shall be used to the LED
- Electrical and optical data are measured at 25 °C
- The specified 12, 24, 28, 48 VAC/DC versions are built with a bridge rectifier

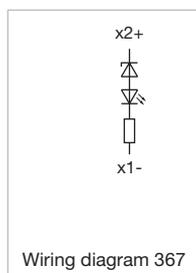


Dimensions [mm]

A = (standard)

B = (super bright)

### Wiring diagrams



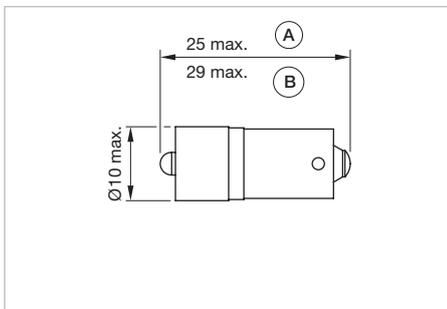


## Bi-colour LED, BA9s

| Illumination colour | Operating voltage | Operation current | Lumi. Intensity | Dom. Wavelength | Product attributes             | Part No.     | Wiring diagram |
|---------------------|-------------------|-------------------|-----------------|-----------------|--------------------------------|--------------|----------------|
| Red / Green         | 24 V AC/DC +10%   | 15 mA $\pm$ 15 %  | 1200/900 mcd    | 625 / 525 nm    | X2: + = Red / X1: + = Green    | 10-2H12.314A | 171            |
| Red / Yellow        | 24 V AC/DC +10%   | 15 mA $\pm$ 15 %  | 1200/550 mcd    | 625 / 589 nm    | X2: + = Red / X1: + = Yellow   | 10-2H12.314B | 171            |
| Green / Yellow      | 24 V AC/DC +10%   | 15 mA $\pm$ 15 %  | 900/550 mcd     | 525 / 589 nm    | X2: + = Yellow / X1: + = Green | 10-2H12.314C | 171            |

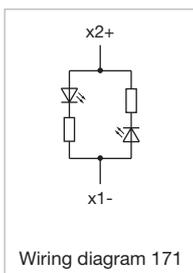
### Additional information

- The max. overall length of the lamp may not exceed 25mm
- Electrical and optical data are measured at 25 °C
- The specified 6 V DC, 24 V DC Bi-colour; 130 V AC, 130 V DC and 230 V AC versions are built with a protection diode
- Luminosity and wave length variations caused by LED manufacturing processes may cause slight differences regarding the illumination. The customer has to decide what resistor shall be used to the LED



Dimensions [mm]  
 A = (standard)  
 B = (super bright)

### Wiring diagrams



# 04 Components

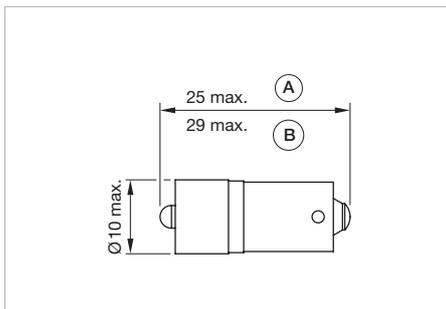


## Single-LED, BA9s, EN 50155, Fail Safe

| Illumination colour | Operating voltage | Operation current | Lumi. Intensity | Dom. Wavelength | Part No.      | Wiring diagram |
|---------------------|-------------------|-------------------|-----------------|-----------------|---------------|----------------|
| Red                 | 72 V AC/DC        | 2,2 mA -30%/+25%  | 4 x 128 mcd     | 625 nm          | 10-4H21.1032P | 368            |
|                     | 110 V AC/DC       | 2 mA -30%/+25%    | 4 x 128 mcd     | 625 nm          | 10-4H22.1032P | 368            |
| Yellow              | 72 V AC/DC        | 2,2 mA -30%/+25%  | 4 x 112 mcd     | 589 nm          | 10-4H21.1034P | 368            |
|                     | 110 V AC/DC       | 2 mA -30%/+25%    | 4 x 128 mcd     | 589 nm          | 10-4H22.1034P | 368            |
| Green               | 72 V AC/DC        | 2,2 mA -30%/+25%  | 4 x 478 mcd     | 525 nm          | 10-4H21.1035P | 368            |
|                     | 110 V AC/DC       | 2 mA -30%/+25%    | 4 x 510 mcd     | 525 nm          | 10-4H22.1035P | 368            |
| Blue                | 72 V AC/DC        | 2,2 mA -30%/+25%  | 4 x 90 mcd      | 465 nm          | 10-4H21.1036P | 368            |
|                     | 110 V AC/DC       | 2 mA -30%/+25%    | 4 x 86 mcd      | 465 nm          | 10-4H22.1036P | 368            |
| White               | 72 V AC/DC        | 2,2 mA -30%/+25%  | 4 x 382 mcd     |                 | 10-4H21.1039P | 368            |
|                     | 110 V AC/DC       | 2 mA -30%/+25%    | 4 x 446 mcd     |                 | 10-4H22.1039P | 368            |

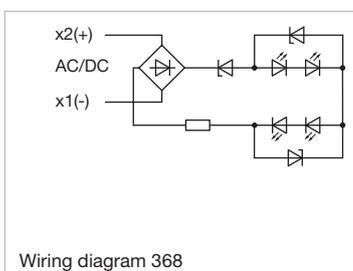
### Additional information

- A suitable LED remover Part No. 700.006.0
- The luminous intensity stated is for when used with DC
- Electrical and optical data are measured at 25 °C
- The specified 72 and 110 VAC/VDC versions are built with a bridge rectifier
- The specified 72 and 110 VAC/VDC versions are built with a protection diode
- In case one LED fails, the other pair of still functioning LED>s is working. The light output then is half in order to indicate the malfunction and shows this way the need for replacement
- Luminosity and wave length variations caused by LED manufacturing processes may cause slight differences regarding the illumination. The customer has to decide what resistor shall be used to the LED



Dimensions [mm]  
 A = (standard)  
 B = (super bright)

### Wiring diagrams



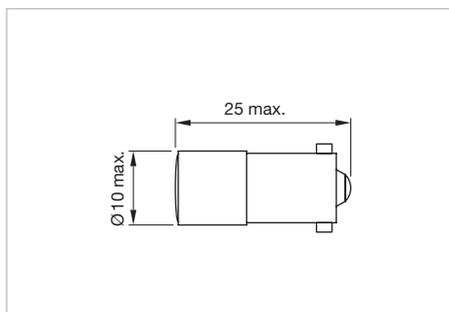


## LED BA9s, EN 50155

| Illumination colour | Operating voltage | Operation current | Lumi. Intensity | Part No.      | Wiring diagram |
|---------------------|-------------------|-------------------|-----------------|---------------|----------------|
| White               | 24 V AC/DC        | -30%/+25%         | 700 mcd         | 10-2412.1089P | 369            |

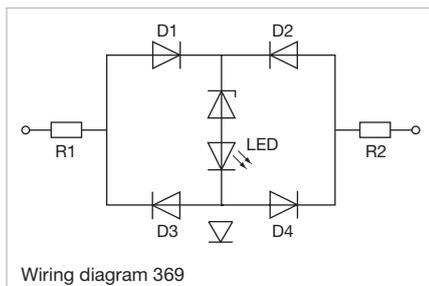
### Additional information

- A suitable LED remover Part No. 700.006.0
- The luminous intensity stated is for when used with DC
- Electrical and optical data are measured at 25 °C
- The specified 24 VAC/VDC versions are built with a protection diode
- Specified 24 VAC/VDC versions are built with a bridge rectifier
- The new, white BA9s LED operates within a range of 16VDC to 34VDC. It conforms to the norms EN 50155 and IEEE 1476
- Luminosity and wave length variations caused by LED manufacturing processes may cause slight differences regarding the illumination. The customer has to decide what resistor shall be used to the LED



Dimensions [mm]

### Wiring diagrams



## Filament lamp

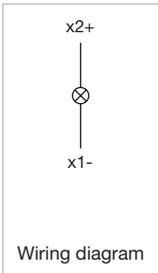
| Operating voltage | Operation current | Part No.     | Wiring diagram |
|-------------------|-------------------|--------------|----------------|
| 24 V AC/DC        | 50 mA ±10 %       | 10-1412.1279 | 432            |
| 36 V AC/DC        | 56 mA ±10 %       | 10-1416.1289 | 432            |
| 60 V AC/DC        | 33 mA ±10 %       | 10-1420.1219 | 432            |
| 110 V AC/DC       | 22 mA ±10 %       | 10-1422.1179 | 432            |
| 130 V AC/DC       | 20 mA ±10 %       | 10-1424.1179 | 432            |

### Additional information

- The max. overall length of the lamp may not exceed 28 mm

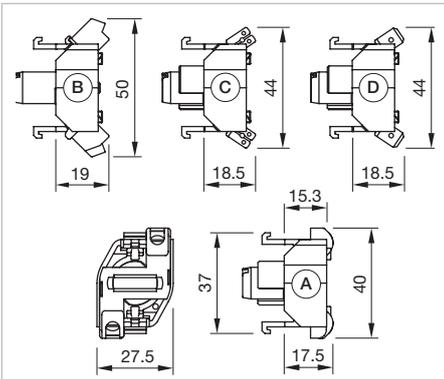
# 04 Components

## Wiring diagrams



Lamp block for selector switch and illuminated pushbutton, 2 positions

| Product attributes                      | Terminal kind of        | Part No.    | Wiring diagram |
|---|-------------------------|-------------|----------------|
|   | Screw terminal          | 704.950.0   | 4              |
|   | Plug-in terminal        | 704.950.1   | 4              |
| Terminals nickel plated and blank Cu/Sn | Double plug-in terminal | 704.950.1/D | 4              |
|   | Push-in Terminal        | 704.950.3   | 4              |
| Terminals nickel plated Cu/Sn           | Double plug-in terminal | 704.950.2/D | 4              |
| For ring cable shoe                     | Screw terminal          | 704.950.0B  | 4              |



Dimensions [mm]

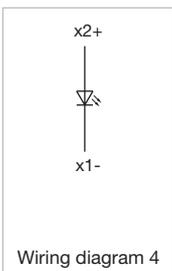
A = Screw terminal

B = Push-in terminal (PIT)

C = Plug-in terminal 6.3 mm x 0.8 mm

D = Double plug-in terminal 6.3 mm x 0.8 mm

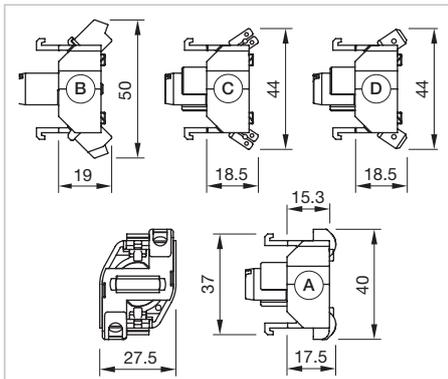
## Wiring diagrams





## Lamp block for selector switch 3 positions

| Product attributes                      | Terminal kind of        | Part No.    | Wiring diagram |
|---|-------------------------|-------------|----------------|
|   | Screw terminal          | 704.951.0   | 4              |
|   | Plug-in terminal        | 704.951.1   | 4              |
| Terminals nickel plated and blank Cu/Sn | Double plug-in terminal | 704.951.1/D | 4              |
|   | Push-in Terminal        | 704.951.3   | 4              |



Dimensions [mm]

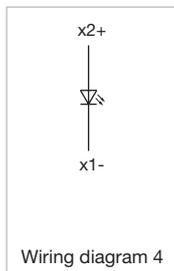
A = Screw terminal

B = Push-in terminal (PIT)

C = Plug-in terminal 6.3 mm x 0.8 mm

D = Double plug-in terminal 6.3 mm x 0.8 mm

## Wiring diagrams

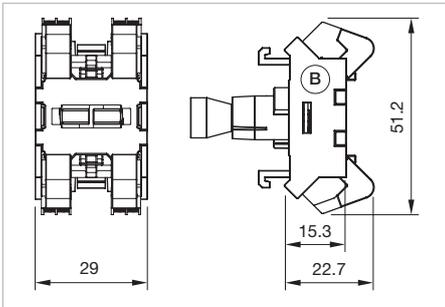


# 04 Components



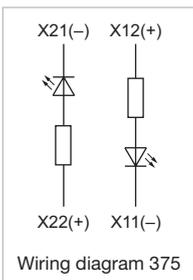
Dual lamp block

| Operating voltage | Terminal kind of | Part No.      | Wiring diagram | Component Layout |
|-------------------|------------------|---------------|----------------|------------------|
| 24 V AC/DC        | Push-in Terminal | 704.952.129.3 | 375            | 104              |
| 110 V AC/DC       | Push-in Terminal | 704.952.159.3 | 375            | 104              |

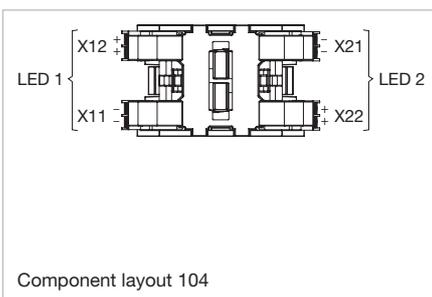


Dimensions [mm]  
B = Push-in terminal (PIT)

## Wiring diagrams



## Component layouts





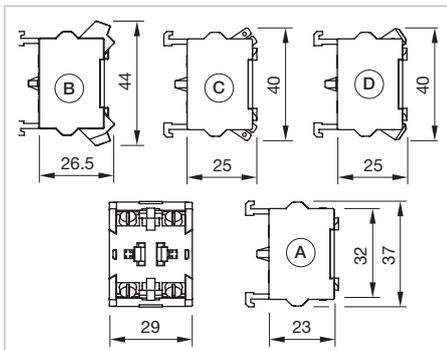
## Snap-action switching element with push-in terminal

| Switching voltage | Switching current | Contacts    | Contact material   | Part No.  | Wiring diagram |
|-------------------|-------------------|-------------|--------------------|-----------|----------------|
| 250 V             | 6 A               | 1 NO        | Gold-plated silver | 704.907.1 | 376            |
|                   | 6 A               | 1 NC        | Gold-plated silver | 704.907.2 | 377            |
|                   | 6 A               | 2 NO        | Gold-plated silver | 704.907.3 | 378            |
|                   | 6 A               | 2 NC        | Gold-plated silver | 704.907.4 | 379            |
|                   | 6 A               | 1 NC / 1 NO | Gold-plated silver | 704.907.5 | 380            |
|                   | 6 A               | 1 NO        | Silver             | 704.908.1 | 376            |
|                   | 6 A               | 1 NC        | Silver             | 704.908.2 | 377            |
|                   | 6 A               | 2 NO        | Silver             | 704.908.3 | 378            |
|                   | 6 A               | 2 NC        | Silver             | 704.908.4 | 379            |
|                   | 6 A               | 1 NC / 1 NO | Silver             | 704.908.5 | 380            |

Contacts: NC = Normally closed, NO = Normally open

### Additional information

- For the third switching element the terminal marking insert is to be ordered separately



Dimensions [mm]

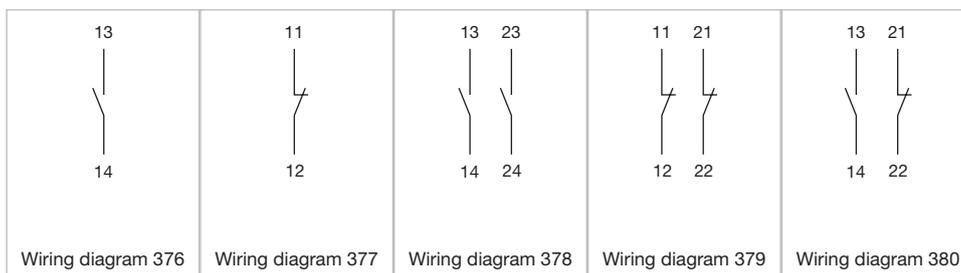
A = Screw terminal

B = Push-in terminal (PIT)

C = Plug-in terminal 6.3 mm x 0.8 mm

D = Double plug-in terminal 6.3 mm x 0.8 mm

### Wiring diagrams



# 04 Components



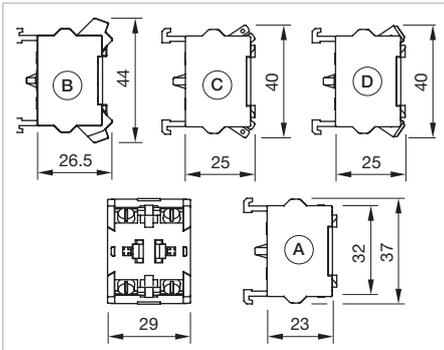
## Slow-make switching element with push-in terminal

| Switching voltage | Switching current | Contacts    | Contact material   | Part No.  | Wiring diagram |
|-------------------|-------------------|-------------|--------------------|-----------|----------------|
| 250 V             | 6 A               | 1 NO        | Gold-plated silver | 704.917.1 | 376            |
|                   | 6 A               | 1 NC        | Gold-plated silver | 704.917.2 | 377            |
|                   | 6 A               | 2 NO        | Gold-plated silver | 704.917.3 | 378            |
|                   | 6 A               | 2 NC        | Gold-plated silver | 704.917.4 | 379            |
|                   | 6 A               | 1 NC / 1 NO | Gold-plated silver | 704.917.5 | 380            |
|                   | 6 A               | 1 NO        | Silver             | 704.918.1 | 376            |
|                   | 6 A               | 1 NC        | Silver             | 704.918.2 | 377            |
|                   | 6 A               | 2 NO        | Silver             | 704.918.3 | 378            |
|                   | 6 A               | 2 NC        | Silver             | 704.918.4 | 379            |
|                   | 6 A               | 1 NC / 1 NO | Silver             | 704.918.5 | 380            |

Contacts: NC = Normally closed, NO = Normally open

### Additional information

- For the third switching element the terminal marking insert is to be ordered separately



Dimensions [mm]

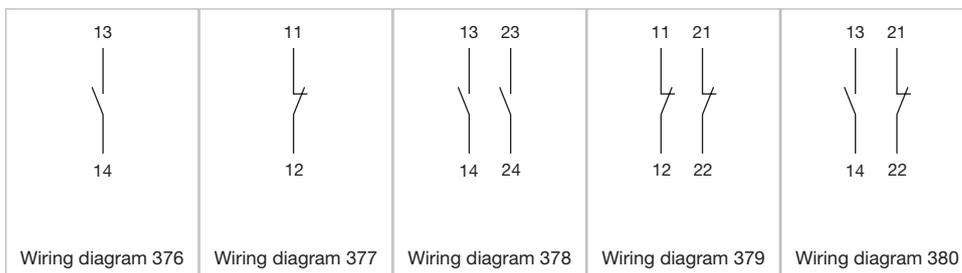
A = Screw terminal

B = Push-in terminal (PIT)

C = Plug-in terminal 6.3 mm x 0.8 mm

D = Double plug-in terminal 6.3 mm x 0.8 mm

### Wiring diagrams





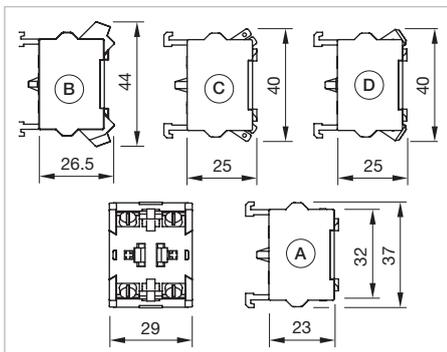
## Snap-action switching element with plug-in terminal

| Switching voltage | Switching current | Contacts    | Contact material | Part No.  | Wiring diagram |
|-------------------|-------------------|-------------|------------------|-----------|----------------|
| 500 V             | 6 A               | 1 NO        | Silver           | 704.905.1 | 376            |
|                   | 6 A               | 1 NC        | Silver           | 704.905.2 | 377            |
|                   | 6 A               | 2 NO        | Silver           | 704.905.3 | 378            |
|                   | 6 A               | 2 NC        | Silver           | 704.905.4 | 379            |
|                   | 6 A               | 1 NC / 1 NO | Silver           | 704.905.5 | 380            |

Contacts: NC = Normally closed, NO = Normally open

### Additional information

- For the third switching element the terminal marking insert is to be ordered separately



Dimensions [mm]

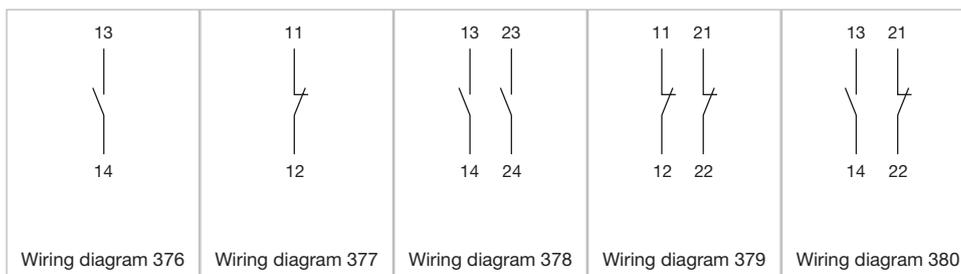
A = Screw terminal

B = Push-in terminal (PIT)

C = Plug-in terminal 6.3 mm x 0.8 mm

D = Double plug-in terminal 6.3 mm x 0.8 mm

### Wiring diagrams



# 04 Components



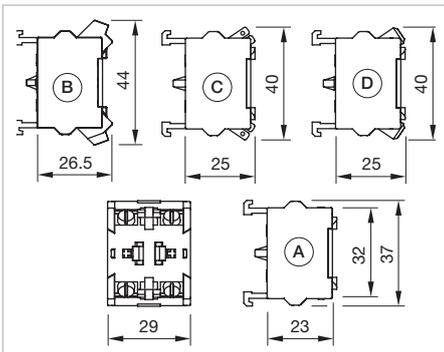
## Slow-make switching element with plug-in terminal

| Switching voltage | Switching current | Contacts    | Contact material | Part No.  | Wiring diagram |
|-------------------|-------------------|-------------|------------------|-----------|----------------|
| 500 V             | 6 A               | 1 NO        | Silver           | 704.915.1 | 376            |
|                   | 6 A               | 1 NC        | Silver           | 704.915.2 | 377            |
|                   | 6 A               | 2 NO        | Silver           | 704.915.3 | 378            |
|                   | 6 A               | 2 NC        | Silver           | 704.915.4 | 379            |
|                   | 6 A               | 1 NC / 1 NO | Silver           | 704.915.5 | 380            |

Contacts: NC = Normally closed, NO = Normally open

### Additional information

- For the third switching element the terminal marking insert is to be ordered separately



Dimensions [mm]

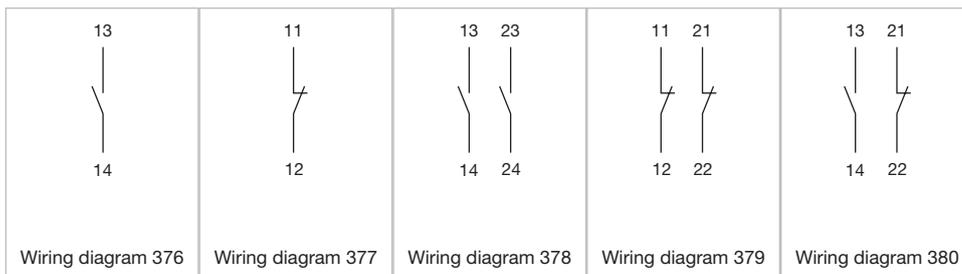
A = Screw terminal

B = Push-in terminal (PIT)

C = Plug-in terminal 6.3 mm x 0.8 mm

D = Double plug-in terminal 6.3 mm x 0.8 mm

### Wiring diagrams





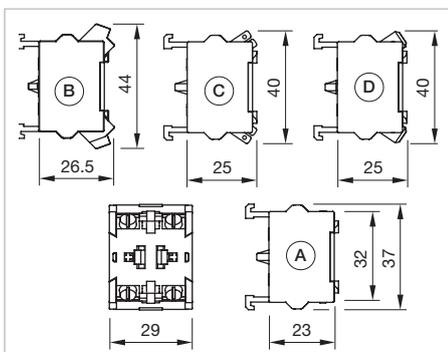
## Snap-action switching element with double plug-in terminal

| Switching voltage | Switching current | Contacts    | Contact material   | Part No.    | Wiring diagram |
|-------------------|-------------------|-------------|--------------------|-------------|----------------|
| 500 V             | 6 A               | 1 NO        | Gold-plated silver | 704.901.1/D | 376            |
|                   | 6 A               | 1 NC        | Gold-plated silver | 704.901.2/D | 377            |
|                   | 6 A               | 2 NO        | Gold-plated silver | 704.901.3/D | 378            |
|                   | 6 A               | 2 NC        | Gold-plated silver | 704.901.4/D | 379            |
|                   | 6 A               | 1 NC / 1 NO | Gold-plated silver | 704.901.5/D | 380            |
|                   | 6 A               | 1 NO        | Silver             | 704.905.1/D | 376            |
|                   | 6 A               | 1 NC        | Silver             | 704.905.2/D | 377            |
| 500 V             | 6 A               | 2 NC        | Silver             | 704.905.4/D | 379            |
|                   | 6 A               | 1 NC / 1 NO | Silver             | 704.905.5/D | 380            |

Contacts: NC = Normally closed, NO = Normally open

### Additional information

- For the third switching element the terminal marking insert is to be ordered separately



Dimensions [mm]

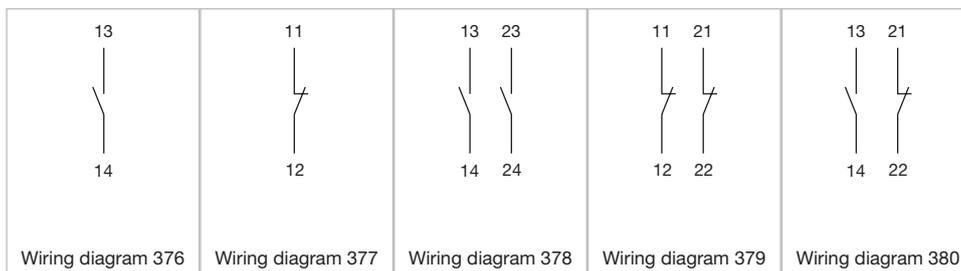
A = Screw terminal

B = Push-in terminal (PIT)

C = Plug-in terminal 6.3 mm x 0.8 mm

D = Double plug-in terminal 6.3 mm x 0.8 mm

### Wiring diagrams



# 04 Components



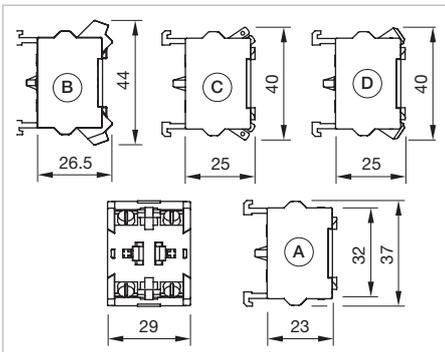
## Slow-make switching element with double plug-in terminal

| Switching voltage | Switching current | Contacts    | Contact material | Part No.    | Wiring diagram |
|-------------------|-------------------|-------------|------------------|-------------|----------------|
| 500 V             | 6 A               | 1 NO        | Silver           | 704.915.1/D | 376            |
|                   | 6 A               | 1 NC        | Silver           | 704.915.2/D | 377            |
|                   | 6 A               | 2 NO        | Silver           | 704.915.3/D | 378            |
|                   | 6 A               | 2 NC        | Silver           | 704.915.4/D | 379            |
|                   | 6 A               | 1 NC / 1 NO | Silver           | 704.915.5/D | 380            |

Contacts: NC = Normally closed, NO = Normally open

### Additional information

- For the third switching element the terminal marking insert is to be ordered separately



Dimensions [mm]

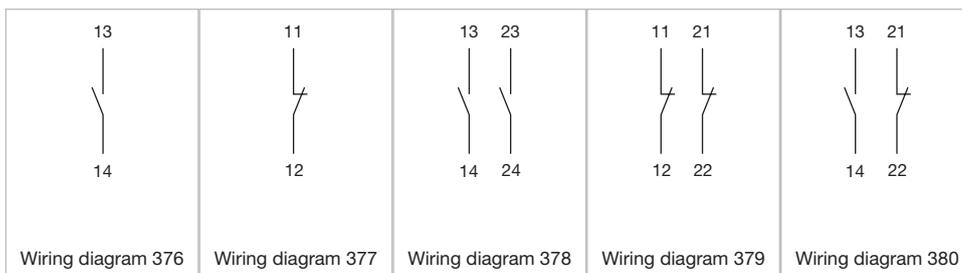
A = Screw terminal

B = Push-in terminal (PIT)

C = Plug-in terminal 6.3 mm x 0.8 mm

D = Double plug-in terminal 6.3 mm x 0.8 mm

### Wiring diagrams





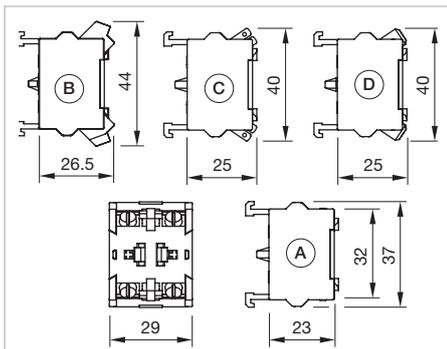
## Snap-action switching element with screw terminal

| Switching voltage | Switching current | Contacts    | Contact material   | Part No.  | Wiring diagram |
|-------------------|-------------------|-------------|--------------------|-----------|----------------|
| 500 V             | 10 A              | 1 NO        | Silver             | 704.900.1 | 376            |
|                   | 10 A              | 1 NC        | Silver             | 704.900.2 | 377            |
|                   | 10 A              | 2 NO        | Silver             | 704.900.3 | 378            |
|                   | 10 A              | 2 NC        | Silver             | 704.900.4 | 379            |
|                   | 10 A              | 1 NC / 1 NO | Silver             | 704.900.5 | 380            |
|                   | 10 A              | 1 NO        | Gold-plated silver | 704.901.1 | 376            |
|                   | 10 A              | 1 NC        | Gold-plated silver | 704.901.2 | 377            |
|                   | 10 A              | 2 NO        | Gold-plated silver | 704.901.3 | 378            |
|                   | 10 A              | 2 NC        | Gold-plated silver | 704.901.4 | 379            |
|                   | 10 A              | 1 NC / 1 NO | Gold-plated silver | 704.901.5 | 380            |
|                   | 10 A              | 1 NO        | Palladium          | 704.902.1 | 376            |
|                   | 10 A              | 1 NC        | Palladium          | 704.902.2 | 377            |
|                   | 10 A              | 2 NO        | Palladium          | 704.902.3 | 378            |
|                   | 10 A              | 2 NC        | Palladium          | 704.902.4 | 379            |
|                   | 10 A              | 1 NC / 1 NO | Palladium          | 704.902.5 | 380            |

Contacts: NC = Normally closed, NO = Normally open

### Additional information

- For the third switching element the terminal marking insert is to be ordered separately



Dimensions [mm]

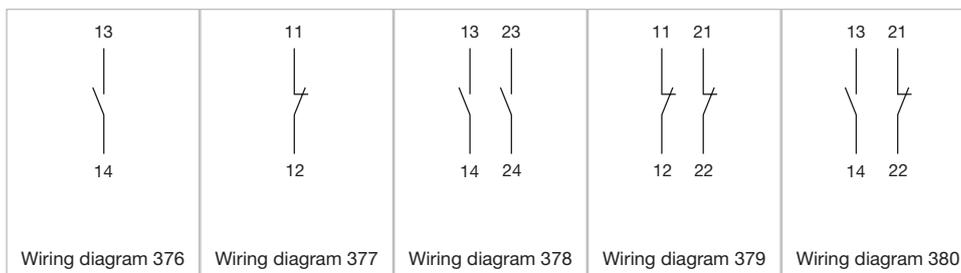
A = Screw terminal

B = Push-in terminal (PIT)

C = Plug-in terminal 6.3 mm x 0.8 mm

D = Double plug-in terminal 6.3 mm x 0.8 mm

### Wiring diagrams



# 04 Components



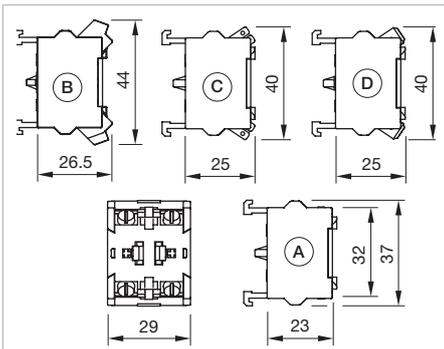
Slow-make switching element with screw terminal

| Switching voltage | Switching current | Contacts    | Contact material   | Part No.  | Wiring diagram |
|-------------------|-------------------|-------------|--------------------|-----------|----------------|
| 500 V             | 10 A              | 1 NO        | Silver             | 704.910.1 | 376            |
|                   | 10 A              | 1 NC        | Silver             | 704.910.2 | 377            |
|                   | 10 A              | 2 NO        | Silver             | 704.910.3 | 378            |
|                   | 10 A              | 2 NC        | Silver             | 704.910.4 | 379            |
|                   | 10 A              | 1 NC / 1 NO | Silver             | 704.910.5 | 380            |
|                   | 10 A              | 1 NO        | Gold-plated silver | 704.911.1 | 376            |
|                   | 10 A              | 1 NC        | Gold-plated silver | 704.911.2 | 377            |
|                   | 10 A              | 2 NO        | Gold-plated silver | 704.911.3 | 378            |
|                   | 10 A              | 2 NC        | Gold-plated silver | 704.911.4 | 379            |
|                   | 10 A              | 1 NC / 1 NO | Gold-plated silver | 704.911.5 | 380            |
|                   | 10 A              | 1 NO        | Palladium          | 704.912.1 | 376            |
|                   | 10 A              | 2 NO        | Palladium          | 704.912.3 | 378            |
|                   | 10 A              | 2 NC        | Palladium          | 704.912.4 | 379            |
|                   | 10 A              | 1 NC / 1 NO | Palladium          | 704.912.5 | 380            |

Contacts: NC = Normally closed, NO = Normally open

## Additional information

- For the third switching element the terminal marking insert is to be ordered separately



Dimensions [mm]

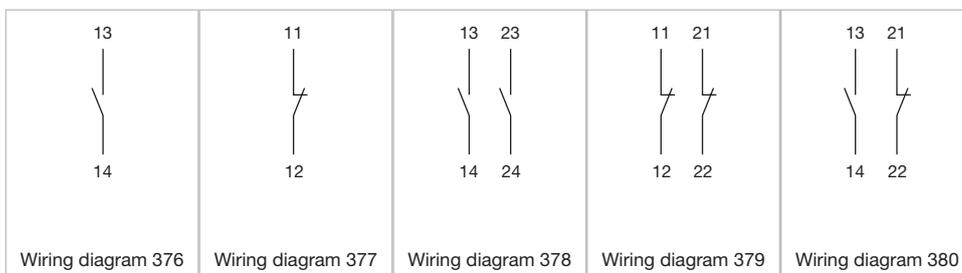
A = Screw terminal

B = Push-in terminal (PIT)

C = Plug-in terminal 6.3 mm x 0.8 mm

D = Double plug-in terminal 6.3 mm x 0.8 mm

## Wiring diagrams

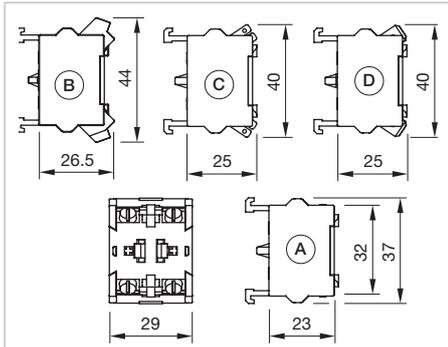




## Snap-action switching element for ring cable shoe with screw terminal

| Switching voltage | Switching current | Contacts    | Contact material | Part No.   | Wiring diagram |
|-------------------|-------------------|-------------|------------------|------------|----------------|
| 500 V             | 10 A              | 1 NO        | Silver           | 704.900.1B | 376            |
|                   | 10 A              | 1 NC        | Silver           | 704.900.2B | 377            |
|                   | 10 A              | 2 NO        | Silver           | 704.900.3B | 378            |
|                   | 10 A              | 2 NC        | Silver           | 704.900.4B | 379            |
|                   | 10 A              | 1 NC / 1 NO | Silver           | 704.900.5B | 380            |

Contacts: NC = Normally closed, NO = Normally open



Dimensions [mm]

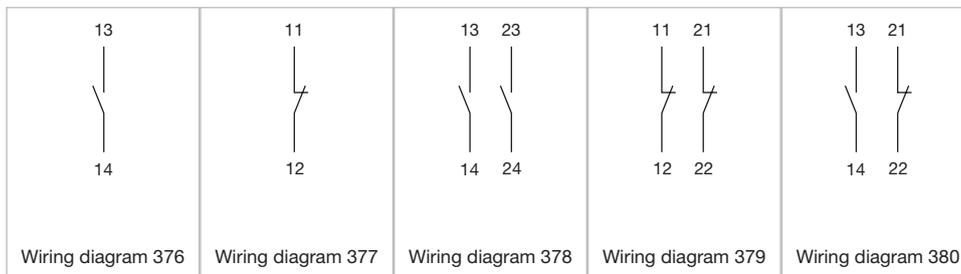
A = Screw terminal

B = Push-in terminal (PIT)

C = Plug-in terminal 6.3 mm x 0.8 mm

D = Double plug-in terminal 6.3 mm x 0.8 mm

## Wiring diagrams



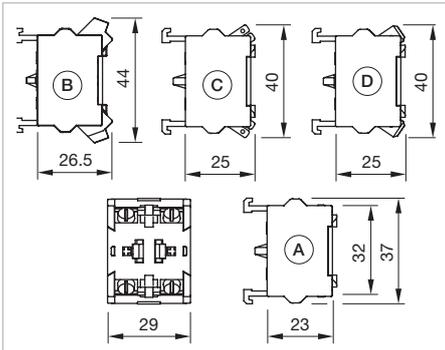
# 04 Components



Slow-make switching element for ring cable shoe with screw terminal

| Switching voltage | Switching current | Contacts    | Contact material   | Part No.   | Wiring diagram |
|-------------------|-------------------|-------------|--------------------|------------|----------------|
| 500 V             | 10 A              | 1 NO        | Silver             | 704.910.1B | 376            |
|                   | 10 A              | 1 NC        | Silver             | 704.910.2B | 377            |
|                   | 10 A              | 2 NO        | Silver             | 704.910.3B | 378            |
|                   | 10 A              | 2 NC        | Silver             | 704.910.4B | 379            |
|                   | 10 A              | 2 NO        | Gold-plated silver | 704.911.3B | 378            |
|                   | 10 A              | 2 NC        | Gold-plated silver | 704.911.4B | 379            |
|                   | 10 A              | 1 NC / 1 NO | Gold-plated silver | 704.911.5B | 380            |

Contacts: NC = Normally closed, NO = Normally open



Dimensions [mm]

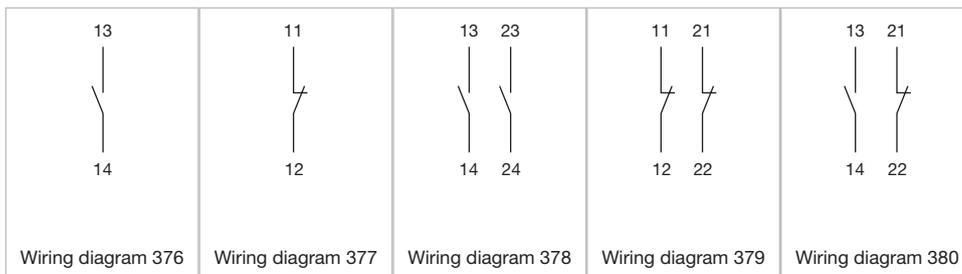
A = Screw terminal

B = Push-in terminal (PIT)

C = Plug-in terminal 6.3 mm x 0.8 mm

D = Double plug-in terminal 6.3 mm x 0.8 mm

## Wiring diagrams





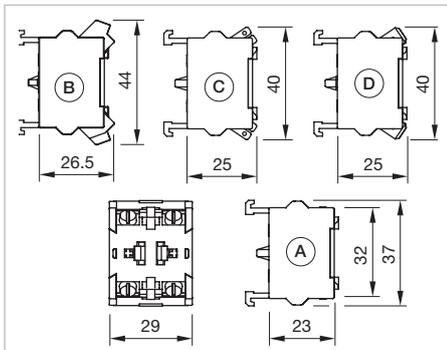
## Slow-make switching element for emergency stop switch with push-in terminal

| Switching voltage | Switching current | Contacts    | Contact material   | Part No.  | Wiring diagram |
|-------------------|-------------------|-------------|--------------------|-----------|----------------|
| 250 V             | 6 A               | 1 NO        | Gold-plated silver | 704.917.1 | 376            |
|                   | 6 A               | 1 NC        | Gold-plated silver | 704.917.2 | 377            |
|                   | 6 A               | 2 NO        | Gold-plated silver | 704.917.3 | 378            |
|                   | 6 A               | 2 NC        | Gold-plated silver | 704.917.4 | 379            |
|                   | 6 A               | 1 NC / 1 NO | Gold-plated silver | 704.917.5 | 380            |
|                   | 6 A               | 1 NO        | Silver             | 704.918.1 | 376            |
|                   | 6 A               | 1 NC        | Silver             | 704.918.2 | 377            |
|                   | 6 A               | 2 NO        | Silver             | 704.918.3 | 378            |
|                   | 6 A               | 2 NC        | Silver             | 704.918.4 | 379            |
|                   | 6 A               | 1 NC / 1 NO | Silver             | 704.918.5 | 380            |

Contacts: NC = Normally closed, NO = Normally open

### Additional information

- For the third switching element the terminal marking insert is to be ordered separately



Dimensions [mm]

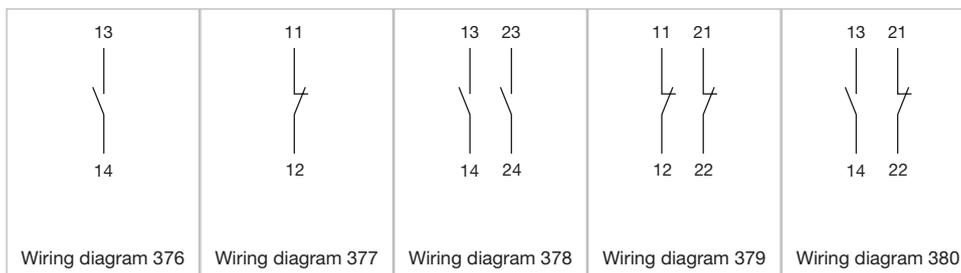
A = Screw terminal

B = Push-in terminal (PIT)

C = Plug-in terminal 6.3 mm x 0.8 mm

D = Double plug-in terminal 6.3 mm x 0.8 mm

### Wiring diagrams



# 04 Components



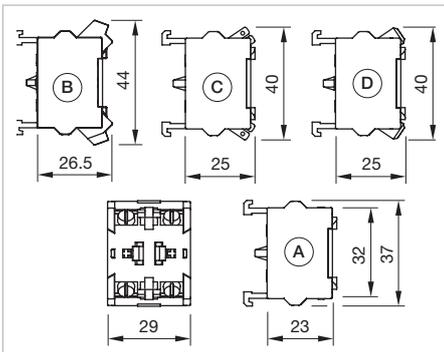
## Slow-make switching element for emergency stop switch with plug-in terminal

| Switching voltage | Switching current | Contacts    | Contact material | Part No.  | Wiring diagram |
|-------------------|-------------------|-------------|------------------|-----------|----------------|
| 500 V             | 6 A               | 1 NO        | Silver           | 704.915.1 | 376            |
|                   | 6 A               | 1 NC        | Silver           | 704.915.2 | 377            |
|                   | 6 A               | 2 NO        | Silver           | 704.915.3 | 378            |
|                   | 6 A               | 2 NC        | Silver           | 704.915.4 | 379            |
|                   | 6 A               | 1 NC / 1 NO | Silver           | 704.915.5 | 380            |

Contacts: NC = Normally closed, NO = Normally open

### Additional information

- For the third switching element the terminal marking insert is to be ordered separately



Dimensions [mm]

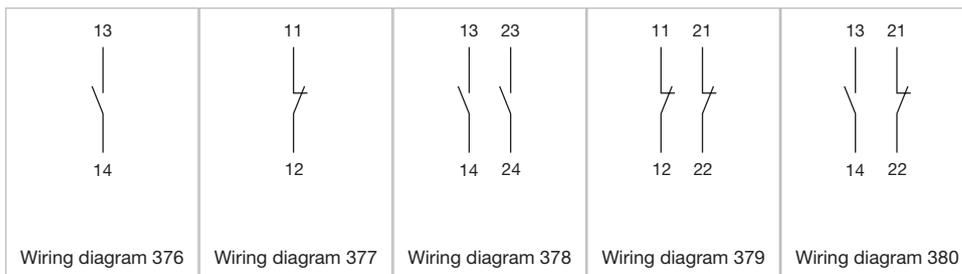
A = Screw terminal

B = Push-in terminal (PIT)

C = Plug-in terminal 6.3 mm x 0.8 mm

D = Double plug-in terminal 6.3 mm x 0.8 mm

### Wiring diagrams





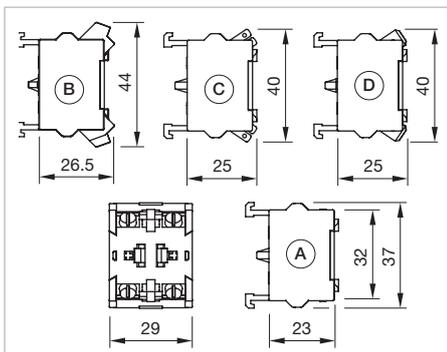
## Slow-make switching element for emergency stop switch with double plug-in terminal

| Switching voltage | Switching current | Contacts    | Contact material | Part No.    | Wiring diagram |
|-------------------|-------------------|-------------|------------------|-------------|----------------|
| 500 V             | 6 A               | 1 NO        | Silver           | 704.915.1/D | 376            |
|                   | 6 A               | 1 NC        | Silver           | 704.915.2/D | 377            |
|                   | 6 A               | 2 NO        | Silver           | 704.915.3/D | 378            |
|                   | 6 A               | 2 NC        | Silver           | 704.915.4/D | 379            |
|                   | 6 A               | 1 NC / 1 NO | Silver           | 704.915.5/D | 380            |

Contacts: NC = Normally closed, NO = Normally open

### Additional information

- For the third switching element the terminal marking insert is to be ordered separately



Dimensions [mm]

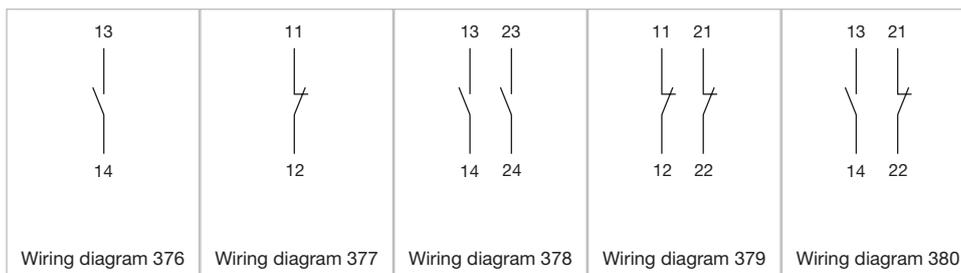
A = Screw terminal

B = Push-in terminal (PIT)

C = Plug-in terminal 6.3 mm x 0.8 mm

D = Double plug-in terminal 6.3 mm x 0.8 mm

### Wiring diagrams



# 04 Components



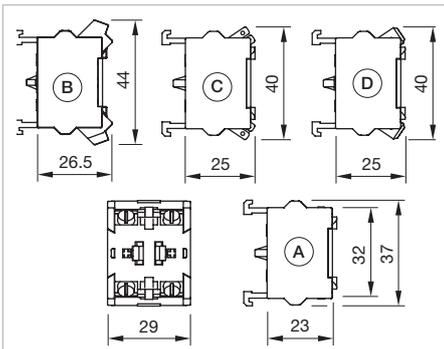
Slow-make switching element for emergency stop switch with screw terminal

| Switching voltage | Switching current | Contacts    | Contact material   | Part No.  | Wiring diagram |
|-------------------|-------------------|-------------|--------------------|-----------|----------------|
| 500 V             | 10 A              | 1 NO        | Silver             | 704.910.1 | 376            |
|                   | 10 A              | 1 NC        | Silver             | 704.910.2 | 377            |
|                   | 10 A              | 2 NO        | Silver             | 704.910.3 | 378            |
|                   | 10 A              | 2 NC        | Silver             | 704.910.4 | 379            |
|                   | 10 A              | 1 NC / 1 NO | Silver             | 704.910.5 | 380            |
|                   | 10 A              | 1 NO        | Gold-plated silver | 704.911.1 | 376            |
|                   | 10 A              | 1 NC        | Gold-plated silver | 704.911.2 | 377            |
|                   | 10 A              | 2 NO        | Gold-plated silver | 704.911.3 | 378            |
|                   | 10 A              | 2 NC        | Gold-plated silver | 704.911.4 | 379            |
|                   | 10 A              | 1 NC / 1 NO | Gold-plated silver | 704.911.5 | 380            |
|                   | 10 A              | 1 NO        | Palladium          | 704.912.1 | 376            |
|                   | 10 A              | 2 NO        | Palladium          | 704.912.3 | 378            |
|                   | 10 A              | 2 NC        | Palladium          | 704.912.4 | 379            |
|                   | 10 A              | 1 NC / 1 NO | Palladium          | 704.912.5 | 380            |

Contacts: NC = Normally closed, NO = Normally open

## Additional information

- For the third switching element the terminal marking insert is to be ordered separately



Dimensions [mm]

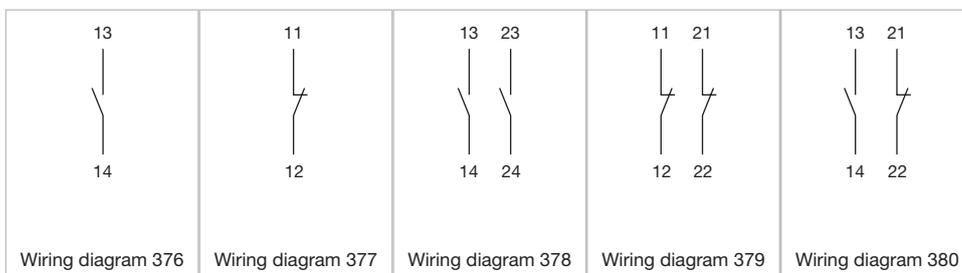
A = Screw terminal

B = Push-in terminal (PIT)

C = Plug-in terminal 6.3 mm x 0.8 mm

D = Double plug-in terminal 6.3 mm x 0.8 mm

## Wiring diagrams

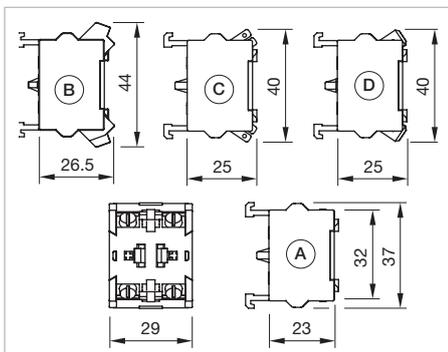




## Slow-make switching element failsafe

| Contacts    | Contact material   | Terminal                | Product attributes  | Part No.      | Wiring diagram |
|-------------|--------------------|-------------------------|---------------------|---------------|----------------|
| 1 NC / 1 FS | Silver             | Screw terminal          |                     | 704.910.4FS   | 381            |
|             | Gold-plated silver | Screw terminal          |                     | 704.911.4FS   | 381            |
|             | Silver             | Screw terminal          | For ring cable shoe | 704.910.4BFS  | 381            |
|             | Gold-plated silver | Screw terminal          | For ring cable shoe | 704.911.4BFS  | 381            |
|             | Silver             | Plug-in terminal        |                     | 704.915.4FS   | 381            |
|             | Gold-plated silver | Double plug-in terminal |                     | 704.911.4/DFS | 381            |
|             | Silver             | Double plug-in terminal |                     | 704.915.4/DFS | 381            |
|             | Gold-plated silver | Push-in Terminal        |                     | 704.917.4FS   | 381            |
|             | Silver             | Push-in Terminal        |                     | 704.918.4FS   | 381            |

Contacts: NC = Normally closed, NO = Normally open



Dimensions [mm]

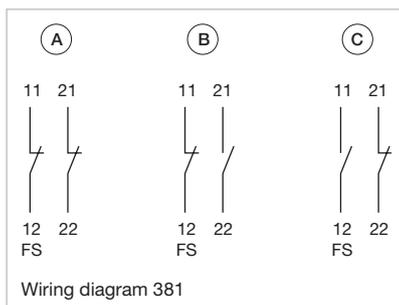
A = Screw terminal

B = Push-in terminal (PIT)

C = Plug-in terminal 6.3 mm x 0.8 mm

D = Double plug-in terminal 6.3 mm x 0.8 mm

## Wiring diagrams

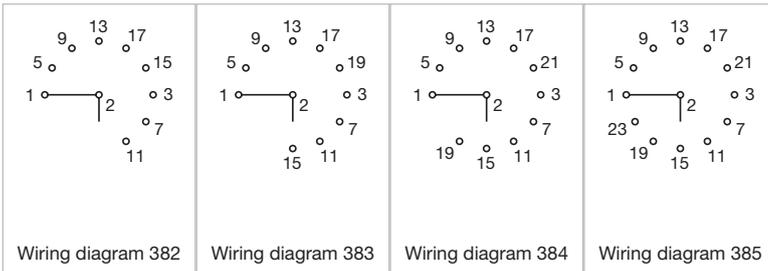


## Kraus Naimer rotary switching element 30°

| Switching positions     | Rotary positions | Multi-step switch | Stages | Terminal       | Part No.  | Wiring diagram |
|-------------------------|------------------|-------------------|--------|----------------|-----------|----------------|
| A = Rest, I = End       | 9                | 1-pole            | 5      | Screw terminal | 704.8A236 | 382            |
| A = Rest, K = End       | 10               | 1-pole            | 5      | Screw terminal | 704.8A237 | 383            |
| A = Rest, L = End       | 11               | 1-pole            | 6      | Screw terminal | 704.8A238 | 384            |
| A = Rest, M = End       | 12               | 1-pole            | 6      | Screw terminal | 704.8A239 | 385            |
| A = Rest (without stop) | 12               | 1-pole            | 6      | Screw terminal | 704.8A639 | 385            |

# 04 Components

## Wiring diagrams



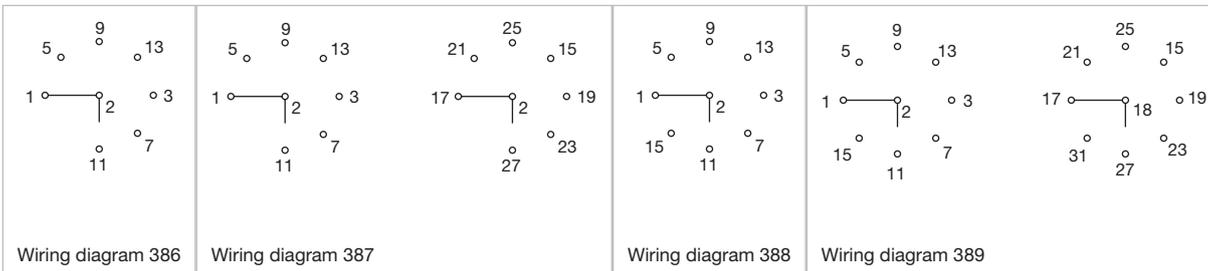
Kraus Naimer rotary switching element 45°

| Switching positions | Rotary positions | Multi-step switch | Stages | Terminal       | Part No.  | Wiring diagram |
|---------------------|------------------|-------------------|--------|----------------|-----------|----------------|
| A = Rest, G = End   | 7                | 1-pole            | 4      | Screw terminal | 704.8A234 | 386            |
|                     | 7                | 2-pole            | 7      | Screw terminal | 704.8A254 | 387            |
| A = Rest, H = End   | 8                | 1-pole            | 4      | Screw terminal | 704.8A235 | 388            |
|                     | 8                | 2-pole            | 8      | Screw terminal | 704.8A255 | 389            |

### Additional information

- Switching positions and functions of the rotary switching element are being produced according to customer specifications. Please contact your local EAO Sales Office

## Wiring diagrams





## Kraus Naimer rotary switching element 60°

| Switching positions | Rotary positions | Multi-step switch             | Stages | Terminal       | Part No.  | Wiring diagram |
|---------------------|------------------|-------------------------------|--------|----------------|-----------|----------------|
| A = Rest, C = End   | 3                | 1-pole                        | 2      | Screw terminal | 704.8A230 | 390            |
|                     | 3                | 1-pole, galvanically isolated | 2      | Screw terminal | 704.8A730 | 391            |
|                     | 3                | 2-pole                        | 3      | Screw terminal | 704.8A250 | 392            |
|                     | 3                | 3-pole                        | 5      | Screw terminal | 704.8A270 | 393            |
| A = Rest, D = End   | 4                | 1-pole                        | 2      | Screw terminal | 704.8A231 | 394            |
|                     | 4                | 1-pole, galvanically isolated | 2      | Screw terminal | 704.8A731 | 395            |
|                     | 4                | 2-pole                        | 4      | Screw terminal | 704.8A251 | 396            |
|                     | 4                | 3-pole                        | 6      | Screw terminal | 704.8A271 | 397            |
| A = Rest, E = End   | 5                | 1-pole                        | 3      | Screw terminal | 704.8A232 | 398            |
|                     | 5                | 2-pole                        | 5      | Screw terminal | 704.8A252 | 399            |
|                     | 5                | 3-pole                        | 8      | Screw terminal | 704.8A272 | 400            |
| A = Rest, F = End   | 6                | 1-pole                        | 3      | Screw terminal | 704.8A233 | 401            |
|                     | 6                | 2-pole                        | 6      | Screw terminal | 704.8A253 | 402            |

### Additional information

- Switching positions and functions of the rotary switching element are being produced according to customer specifications. Please contact your local EAO Sales Office



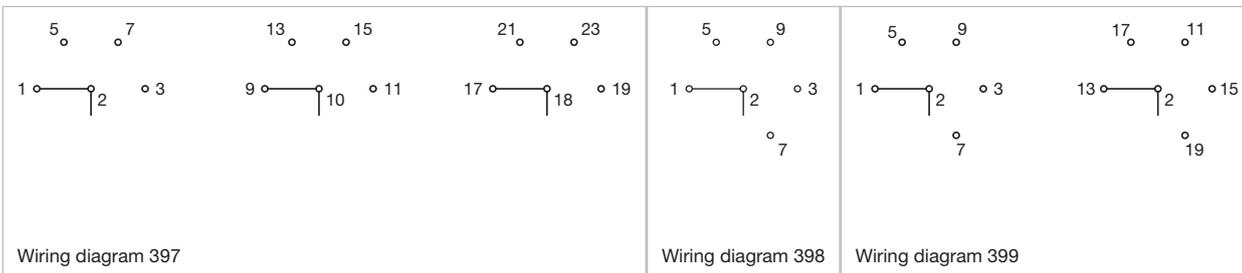
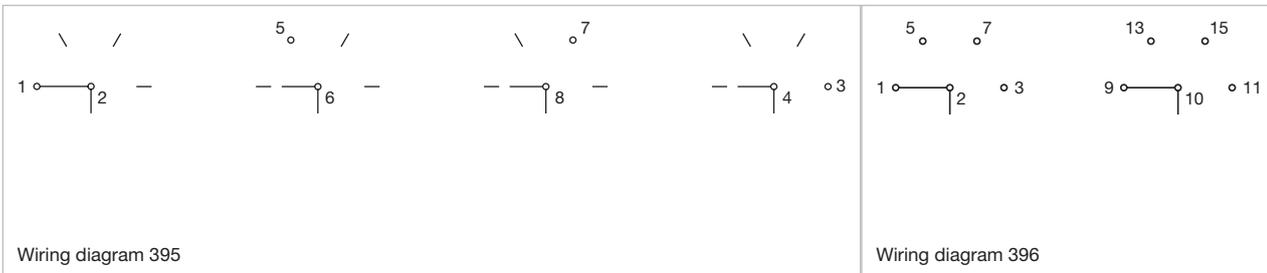
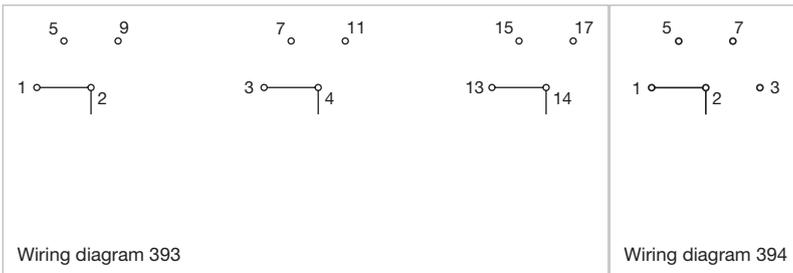
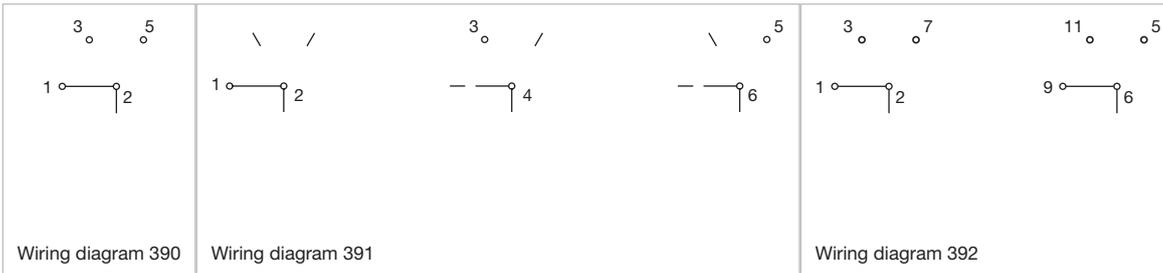
EAO Downloads.  
[www.eao.com/downloads](http://www.eao.com/downloads)  
*EAO creates possibilities. Since 1947.*



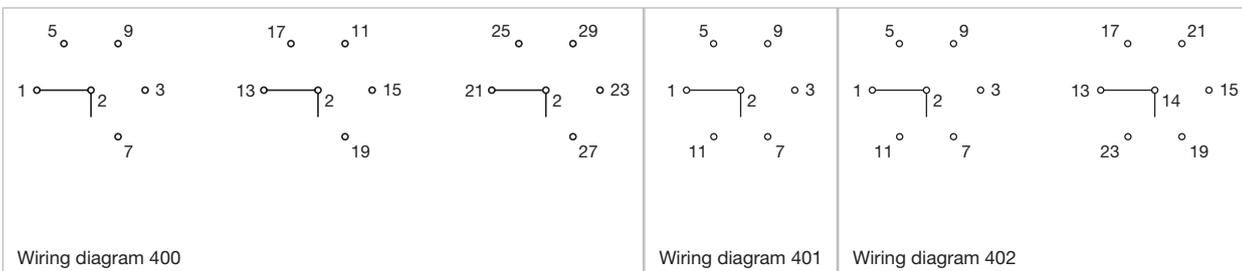
[On our website you can download technical data, assembly instructions, catalogs, brochures and much more.](#)

# 04 Components

## Wiring diagrams



## Wiring diagrams





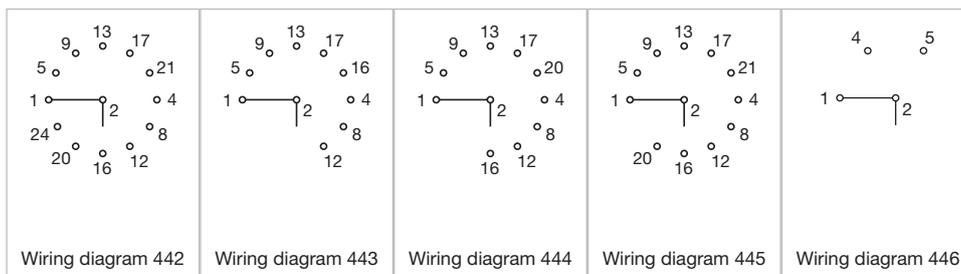
## Santon rotary switching element 30°

| Switching positions | Rotary positions | Multi-step switch | Stages | Terminal         | Part No.     | Wiring diagram |
|---------------------|------------------|-------------------|--------|------------------|--------------|----------------|
| A = Rest, I = End   | 9                | 1-pole            | 5      | Screw terminal   | 704.F100001  | 443            |
| A = Rest, K = End   | 10               | 1-pole            | 5      | Screw terminal   | 704.F100002  | 444            |
| A = Rest, L = End   | 11               | 1-pole            | 6      | Screw terminal   | 704.F100003  | 445            |
| A = Rest, M = End   | 12               | 1-pole            | 6      | Screw terminal   | 704.F100004  | 442            |
| A = Rest, M = End   | 12               | 1-pole            | 6      | Screw terminal   | 704.F100015  | 442            |
| A = Rest, I = End   | 9                | 1-pole            | 5      | Plug-in terminal | 704.F1A00001 | 443            |
| A = Rest, K = End   | 10               | 1-pole            | 5      | Plug-in terminal | 704.F1A00002 | 444            |
| A = Rest, L = End   | 11               | 1-pole            | 6      | Plug-in terminal | 704.F1A00003 | 445            |
| A = Rest, M = End   | 12               | 1-pole            | 6      | Plug-in terminal | 704.F1A00004 | 442            |
| A = Rest, M = End   | 12               | 1-pole            | 6      | Plug-in terminal | 704.F1A00015 | 442            |

### Additional information

- Switching positions and functions of the rotary switching element are being produced according to customer specifications. Please contact your local EAO Sales Office

### Wiring diagrams



# 04 Components



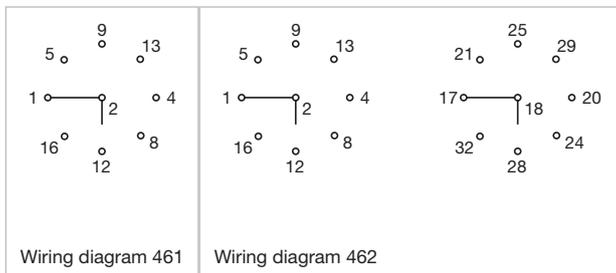
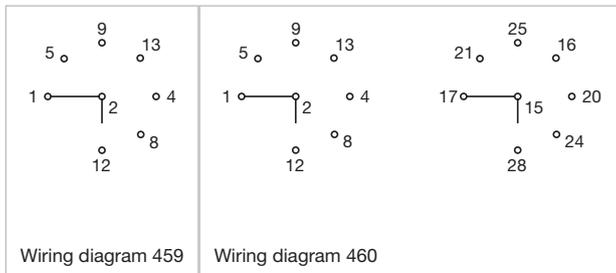
Santon rotary switching element 45°

| Switching positions | Rotary positions | Multi-step switch | Stages | Terminal         | Part No.     | Wiring diagram |
|---------------------|------------------|-------------------|--------|------------------|--------------|----------------|
| A = Rest, G = End   | 7                | 1-pole            | 4      | Screw terminal   | 704.F100019  | 459            |
| A = Rest, G = End   | 7                | 2-pole            | 7      | Screw terminal   | 704.F100020  | 460            |
| A = Rest, H = End   | 8                | 1-pole            | 4      | Screw terminal   | 704.F100021  | 461            |
| A = Rest, H = End   | 8                | 2-pole            | 8      | Screw terminal   | 704.F100022  | 462            |
| A = Rest, G = End   | 7                | 1-pole            | 4      | Plug-in terminal | 704.F1A00019 | 459            |
| A = Rest, G = End   | 7                | 2-pole            | 7      | Plug-in terminal | 704.F1A00020 | 460            |
| A = Rest, H = End   | 8                | 1-pole            | 4      | Plug-in terminal | 704.F1A00021 | 461            |
| A = Rest, H = End   | 8                | 2-pole            | 8      | Plug-in terminal | 704.F1A00022 | 462            |

## Additional information

- Switching positions and functions of the rotary switching element are being produced according to customer specifications. Please contact your local EAO Sales Office

## Wiring diagrams





Santon rotary switching element 60°

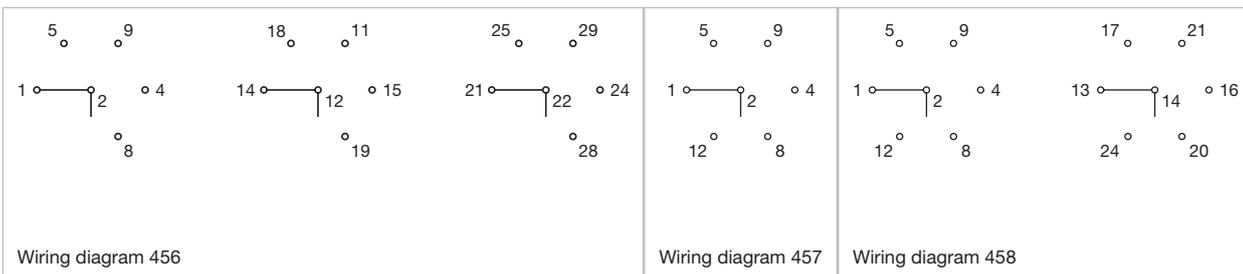
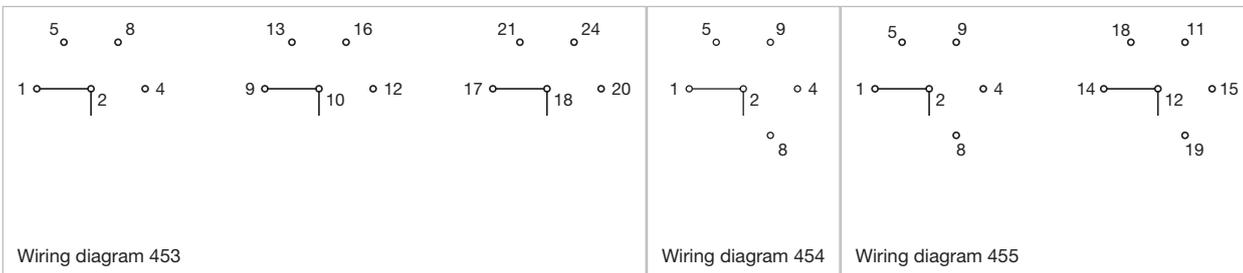
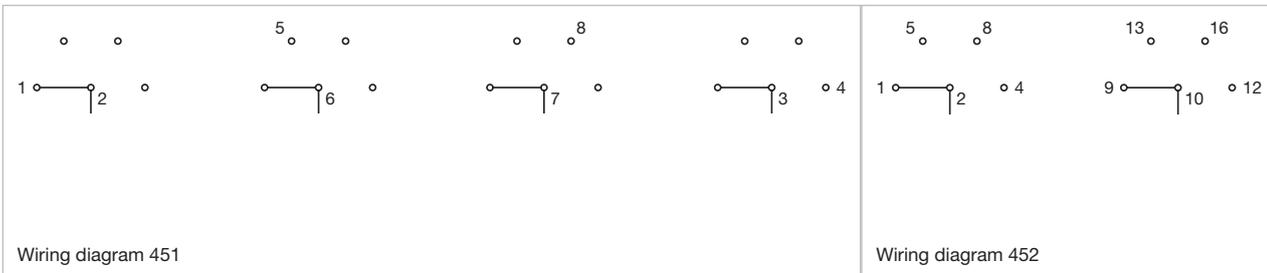
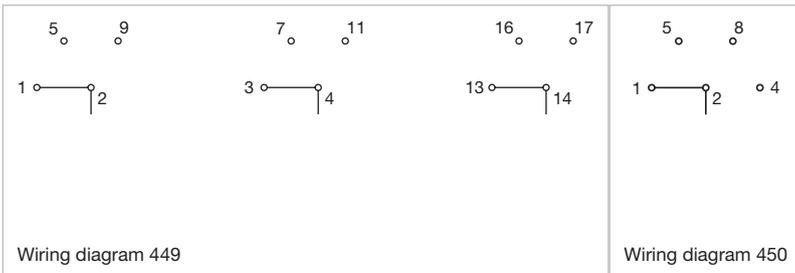
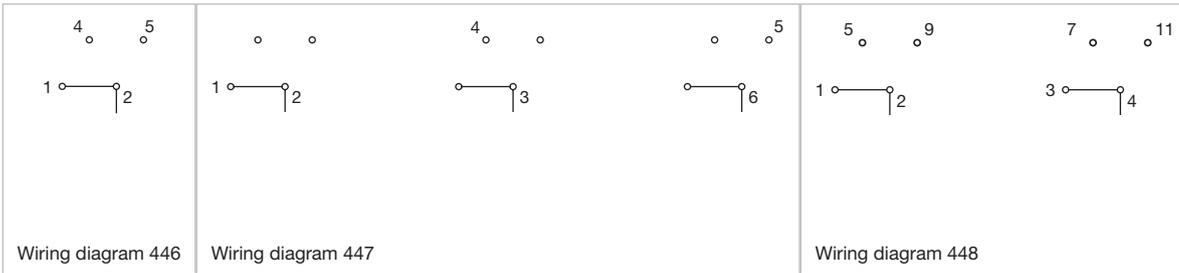
| Switching positions | Rotary positions | Multi-step switch | Stages | Terminal         | Part No.     | Wiring diagram |
|---------------------|------------------|-------------------|--------|------------------|--------------|----------------|
| A = Rest, D = End   | 4                | 4-pole            | 2      | Screw terminal   | 704.F100005  | 451            |
| A = Rest, C = End   | 3                | 1-pole            | 2      | Screw terminal   | 704.F100006  | 446            |
| A = Rest, C = End   | 3                | 2-pole            | 3      | Screw terminal   | 704.F100007  | 448            |
| A = Rest, C = End   | 3                | 3-pole            | 5      | Screw terminal   | 704.F100008  | 449            |
| A = Rest, D = End   | 4                | 1-pole            | 2      | Screw terminal   | 704.F100009  | 450            |
| A = Rest, D = End   | 4                | 2-pole            | 4      | Screw terminal   | 704.F100010  | 452            |
| A = Rest, D = End   | 4                | 3-pole            | 6      | Screw terminal   | 704.F100011  | 453            |
| A = Rest, E = End   | 5                | 1-pole            | 3      | Screw terminal   | 704.F100012  | 454            |
| A = Rest, E = End   | 5                | 2-pole            | 5      | Screw terminal   | 704.F100013  | 455            |
| A = Rest, E = End   | 5                | 3-pole            | 8      | Screw terminal   | 704.F100014  | 456            |
| A = Rest, F = End   | 6                | 1-pole            | 3      | Screw terminal   | 704.F100016  | 457            |
| A = Rest, F = End   | 6                | 2-pole            | 6      | Screw terminal   | 704.F100017  | 458            |
| A = Rest, C = End   | 3                | 3-pole            | 2      | Screw terminal   | 704.F100018  | 447            |
| A = Rest, D = End   | 4                | 4-pole            | 2      | Plug-in terminal | 704.F1A00005 | 451            |
| A = Rest, C = End   | 3                | 1-pole            | 2      | Plug-in terminal | 704.F1A00006 | 446            |
| A = Rest, C = End   | 3                | 2-pole            | 3      | Plug-in terminal | 704.F1A00007 | 448            |
| A = Rest, C = End   | 3                | 3-pole            | 5      | Plug-in terminal | 704.F1A00008 | 449            |
| A = Rest, D = End   | 4                | 1-pole            | 2      | Plug-in terminal | 704.F1A00009 | 450            |
| A = Rest, D = End   | 4                | 2-pole            | 4      | Plug-in terminal | 704.F1A00010 | 452            |
| A = Rest, D = End   | 4                | 3-pole            | 6      | Plug-in terminal | 704.F1A00011 | 453            |
| A = Rest, E = End   | 5                | 1-pole            | 3      | Plug-in terminal | 704.F1A00012 | 454            |
| A = Rest, E = End   | 5                | 2-pole            | 5      | Plug-in terminal | 704.F1A00013 | 455            |
| A = Rest, E = End   | 5                | 3-pole            | 8      | Plug-in terminal | 704.F1A00014 | 456            |
| A = Rest, F = End   | 6                | 1-pole            | 3      | Plug-in terminal | 704.F1A00016 | 457            |
| A = Rest, F = End   | 6                | 2-pole            | 6      | Plug-in terminal | 704.F1A00017 | 458            |
| A = Rest, C = End   | 3                | 3-pole            | 2      | Plug-in terminal | 704.F1A00018 | 447            |

#### Additional information

- Switching positions and functions of the rotary switching element are being produced according to customer specifications. Please contact your local EAO Sales Office

# 04 Components

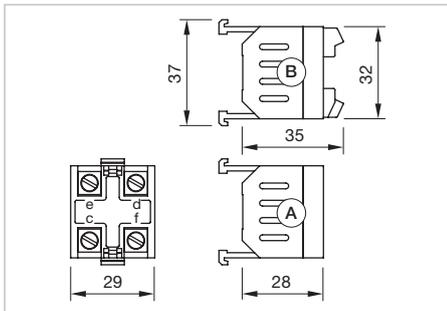
## Wiring diagrams





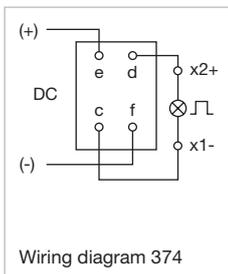
## Flasher element

| Product attributes                       | Terminal         | Part No.   | Wiring diagram |
|--|------------------|------------|----------------|
| Lamp voltage/-current 130 V, 20 mA       | Screw terminal   | 704.943.0  | 374            |
| Lamp voltage/- current 60 V, 33 mA       | Screw terminal   | 704.943.1  | 374            |
| Lamp voltage/-current 130 V, 3 mA        | Push-in Terminal | 704.943.2P | 374            |
|  | Screw terminal   | 704.943.2  | 374            |
| Lamp voltage/-current 24 V, 10 ... 85 mA | Screw terminal   | 704.943.5  | 374            |



Dimensions [mm]  
 A = Screw terminal  
 Push-in terminal (PIT)

## Wiring diagrams



# 04 Components

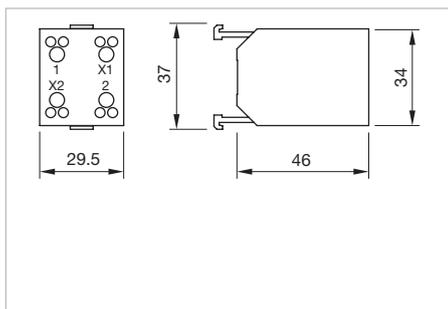


Lamp transformer

| Part No.  | Wiring diagram |
|-----------|----------------|
| 704.970.3 | 371            |
| 704.970.4 | 371            |
| 704.970.5 | 371            |
| 704.970.6 | 371            |

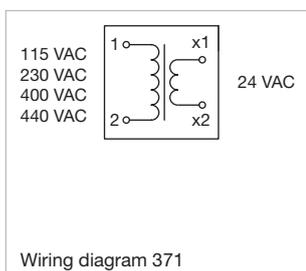
## Additional information

- Lamp voltage/-current 24 VAC, 50 mA, 50/60 Hz



Dimensions [mm]

## Wiring diagrams



## Front side

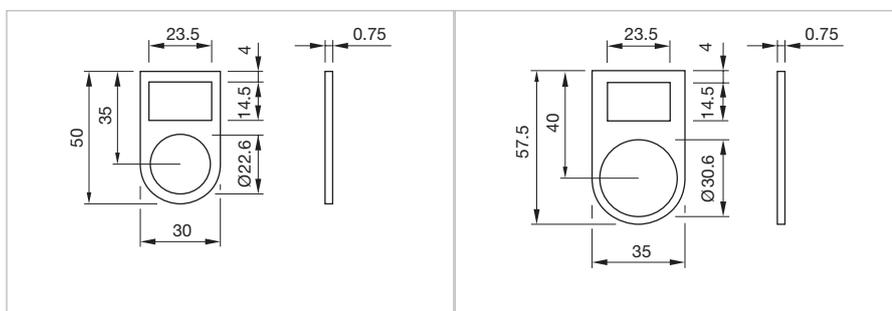


### Legend frame

| Product attributes | Dimensions                | Material  | Colour | Surface  | Mounting type | Part No.  |
|--------------------|---------------------------|-----------|--------|----------|---------------|-----------|
| For raised design  | 30 mm x 0.75 mm x 50 mm   | aluminium | Black  | anodised | adhesive      | 704.968.2 |
| For flush design   | 35 mm x 0.75 mm x 57.5 mm | aluminium | Black  | anodised | adhesive      | 704.968.3 |

#### Additional information

- The colour of anodised aluminium parts can vary due to technical production reasons



Dimensions [mm]  
for Part No. 704.968.2

Dimensions [mm]  
for Part No. 704.968.3



### Legend plate

| Dimensions        | Material  | Colour | Surface  | Mounting type | Part No.  |
|-------------------|-----------|--------|----------|---------------|-----------|
| 14.5 mm x 23.5 mm | aluminium | Nature | anodised | adhesive      | 704.968.0 |
|                   | aluminium | Black  | anodised | adhesive      | 704.968.1 |

#### Additional information

- For legend frame Part No.704.968.2 and 704.968.3
- The colour of anodised aluminium parts can vary due to technical production reasons



### Legend plate flush design

| Dimensions    | Material  | Colour | Surface  | Mounting type | Part No.  |
|---------------|-----------|--------|----------|---------------|-----------|
| 18 mm x 35 mm | aluminium | Nature | anodised | adhesive      | 704.968.4 |
|               | aluminium | Black  | anodised | adhesive      | 704.968.5 |

#### Additional information

- For devices square with flush design
- The colour of anodised aluminium parts can vary due to technical production reasons

01  
02  
03  
04  
09  
14  
17  
18  
19  
22  
31  
41  
45  
51  
56  
57  
61  
70  
71  
82  
84  
92  
96

# 04 Accessories



## Emergency stop legend

| Dimensions | Material | Colour | Mounting cut-out | Marking             | Part No.  |
|------------|----------|--------|------------------|---------------------|-----------|
| Ø 60 mm    | plastic  | Yellow | Ø 22.3 mm        | NOT AUS             | 704.963.5 |
|            | plastic  | Yellow | Ø 22.3 mm        | EMERGENCY STOP      | 704.963.6 |
|            | plastic  | Yellow | Ø 22.3 mm        | ARRET D'URGENCE     | 704.963.7 |
|            | plastic  | Yellow | Ø 22.3 mm        | NOT HALT            | 704.963.8 |
|            | plastic  | Yellow | Ø 22.3 mm        | EN ISO 13850 symbol | 704.963.9 |
| Ø 90 mm    | plastic  | Yellow | Ø 22.3 mm        | NOT AUS             | 704.963.0 |
|            | plastic  | Yellow | Ø 22.3 mm        | EMERGENCY STOP      | 704.963.1 |
|            | plastic  | Yellow | Ø 22.3 mm        | ARRET D'URGENCE     | 704.963.2 |
|            | plastic  | Yellow | Ø 22.3 mm        | NOT HALT            | 704.963.3 |
|            | plastic  | Yellow | Ø 22.3 mm        | EN ISO 13850 symbol | 704.963.4 |

### Additional information

- Front panel thickness 3 mm max.



## Legend plate rotary switch

| Product attributes        | Dimensions    | Material  | Colour | Surface  | Mounting type | Part No.   |
|---------------------------|---------------|-----------|--------|----------|---------------|------------|
| For raised design Ø 29 mm | 48 mm x 48 mm | aluminium | Black  | anodised | adhesive      | 704.968.10 |
| For flush design Ø 35 mm  | 48 mm x 48 mm | aluminium | Black  | anodised | adhesive      | 704.968.11 |
| For raised design Ø 29 mm | 48 mm x 60 mm | aluminium | Black  | anodised | adhesive      | 704.968.12 |

### Additional information

- The colour of anodised aluminium parts can vary due to technical production reasons

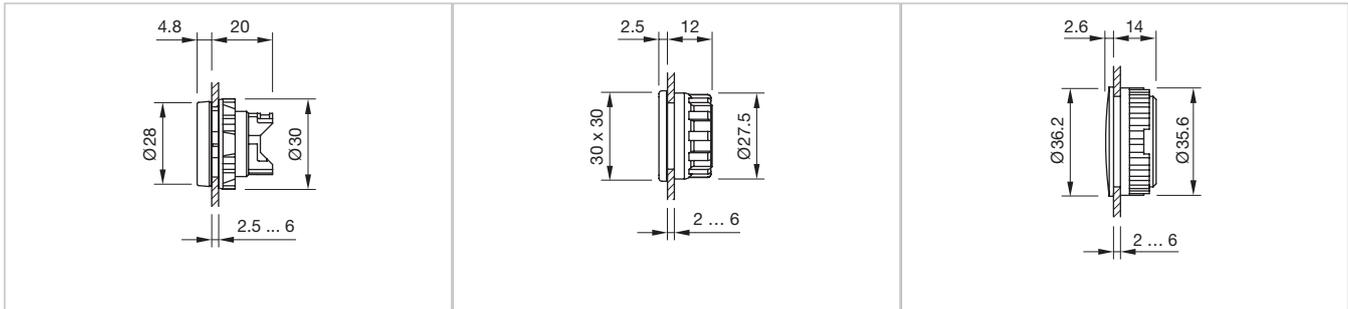


## Blind plug

| Dimensions    | Material | Colour | Mounting cut-out | Part No.  |
|---------------|----------|--------|------------------|-----------|
| Ø 28 mm       | plastic  | Black  | Ø 22.3 mm        | 704.960.4 |
| Ø 22.5 mm     | plastic  | Black  | Ø 22.3 mm        | 704.964.7 |
| Ø 36 mm       | plastic  | Black  | Ø 30.5 mm        | 704.964.8 |
| 35 mm x 35 mm | plastic  | Black  | 30 mm x 30 mm    | 704.964.9 |

### Additional information

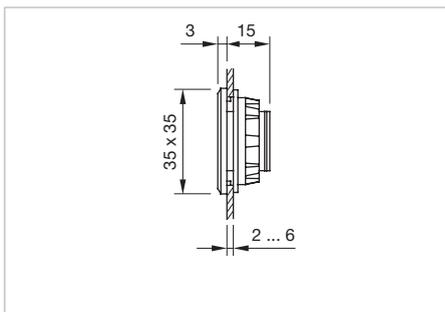
- Please note that bigger minimum distances are necessary



Dimensions [mm]  
for Part No. 704.960.4

Dimensions [mm]  
for Part No. 704.964.7

Dimensions [mm]  
for Part No. 704.964.8



Dimensions [mm]  
for Part No. 704.964.9



## Spare key

| Product attributes          | Material | Part No.    |
|-----------------------------|----------|-------------|
| The standard lock Ronis 251 | metal    | 704.989.251 |



## Protective cap

| Product attributes   | Material | Colour     | Optics      | Part No.  |
|--|----------|------------|-------------|-----------|
| Only together with lenses Part No. 704.602.X, 704.601.X and front rings Part No. 704.600.X | silicone | Colourless | transparent | 704.953.0 |

### Additional information

- For Indicator and Illuminated pushbutton for IP68 protection

# 04 Accessories



## Protective ring

| Product attributes  | Material  | Colour | Surface  | Part No.    |
|---|-----------|--------|----------|-------------|
| With transparent silicone membrane (resistant to sea water), temperature resistance -40 °C ... +85 °C | brass     |        | chrome   | 704.600.2   |
|   | aluminium | Nature | anodised | 704.600.3   |
| With transparent Pebax membrane, temperature resistance -40 °C ... +85 °C                             | aluminium | Nature | anodised | 704.600.5/A |

### Additional information

- For illuminated pushbutton for front protection IP 67
- The colour of anodised aluminium parts can vary due to technical production reasons

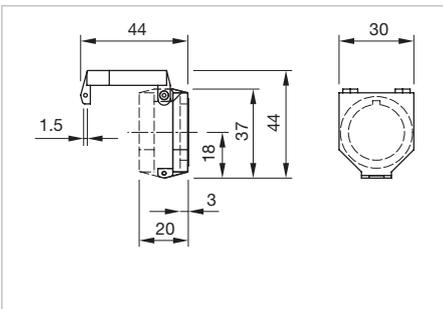


## Protective cover raised design

| Product attributes                 | Material | Optics      | Part No.  |
|------------------------------------|----------|-------------|-----------|
| For pushbutton                     | plastic  | transparent | 704.925.0 |
| With spring fitted, for pushbutton | plastic  | transparent | 704.925.3 |
| For selector switch                | plastic  | transparent | 704.925.2 |

### Additional information

- Hinged, with means for sealing



Dimensions [mm]

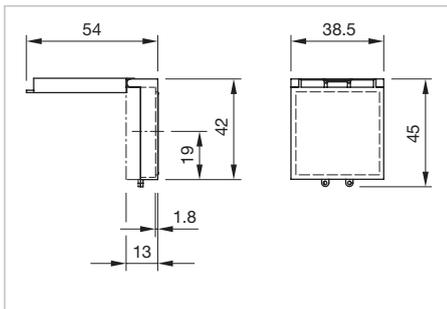


## Protective cover square flush design

| Product attributes  | Dimensions      | Material | Optics      | Mounting cut-out | Part No.  |
|---------------------|-----------------|----------|-------------|------------------|-----------|
| For pushbutton      | 38.5 mm x 45 mm | plastic  | transparent | 30 mm x 30 mm    | 704.925.8 |
| For selector switch | 38.5 mm x 45 mm | plastic  | transparent | 30 mm x 30 mm    | 704.925.9 |

### Additional information

- Hinged, with means for sealing
- Front panel thickness reduces by 2 mm
- Please note that bigger minimum distances are necessary



Dimensions [mm]

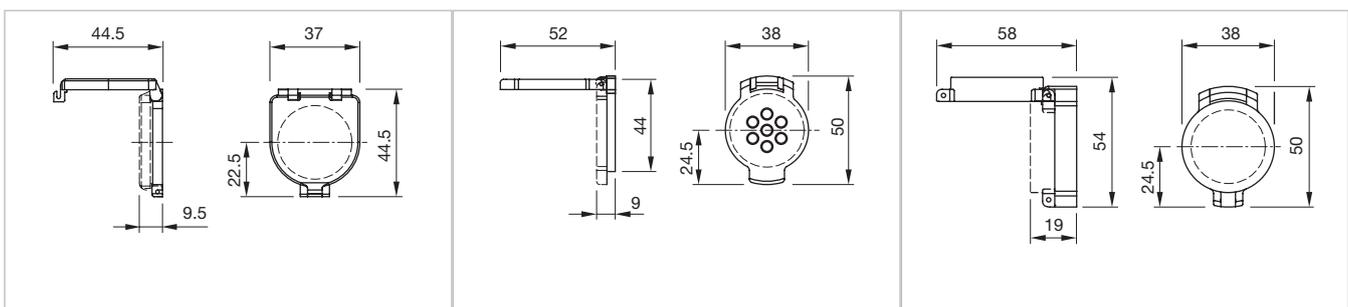


## Protective cover round flush design

| Product attributes   | Dimensions      | Material  | Colour     | Surface  | Part No.   |
|--|-----------------|-----------|------------|----------|------------|
| With means for sealing, for pushbutton with mounting cut-outs Ø 30.5 mm                                      | 37 mm x 44.5 mm | plastic   | Colourless |          | 704.925.7  |
| Without cover locking hole, with spring fitted, with window, for pushbutton with mounting cut-outs Ø 30.5 mm | 38 mm x 50 mm   | aluminium | Nature     | anodised | 704.928.18 |
| Without cover locking hole, for pushbutton and selector switch short lever with mounting cut-outs Ø 30.5 mm  | 38 mm x 50 mm   | aluminium | Nature     | anodised | 704.928.28 |
| With means for sealing, for pushbutton and selector switch short lever with mounting cut-outs Ø 30.5 mm      | 38 mm x 50 mm   | aluminium | Nature     | anodised | 704.928.38 |

### Additional information

- Hinged
- Front panel thickness reduces by 2 mm
- Please note that bigger minimum distances are necessary
- The colour of anodised aluminium parts can vary due to technical production reasons



Dimensions [mm]  
for Part No. 704.925.7

Dimensions [mm]  
for Part No. 704.928.18

Dimensions [mm]  
for Part No. 704.928.28, 704.928.38

# 04 Accessories

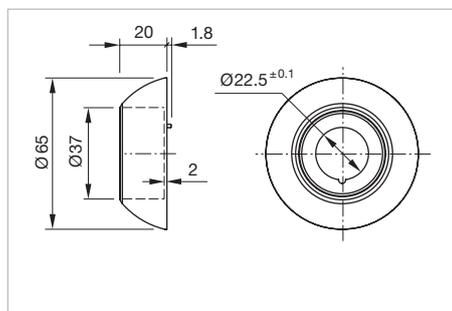


## E stop protective shroud

| Dimensions | Material | Colour | Marking                  | IK Protection | Part No.   |
|------------|----------|--------|--------------------------|---------------|------------|
| Ø 65 mm    | plastic  | Yellow |                          | IK 07         | 704.927.6  |
|            | plastic  | Yellow | NOT-AUS                  | IK 07         | 704.927.6A |
|            | plastic  | Yellow | EMERGENCY-STOP           | IK 07         | 704.927.6B |
|            | plastic  | Yellow | EMERGENCY-STOP / NOT-AUS | IK 07         | 704.927.6C |

### Additional information

- Front panel thickness 1 ... 2.5 mm other actuators
- Front panel thickness 1 ... 2.5 mm with emergency stop switch
- With anti-twist device
- When using a protective shroud the e-stop or stop-switch has to be turned by 180° to be mounted. See dimensional drawing
- Do not use solvents when cleaning



Dimensions [mm]

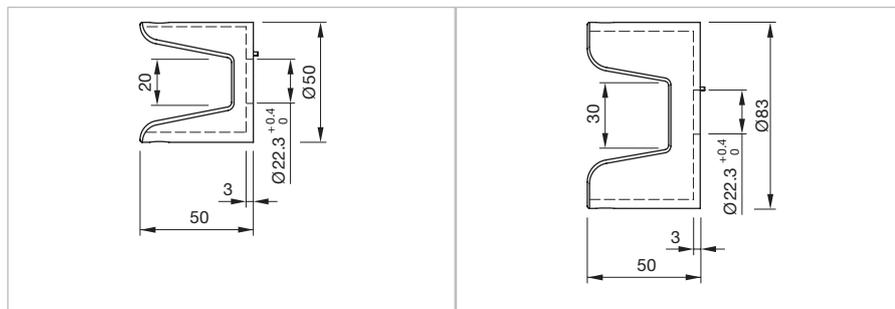


## Protective shroud

| Product attributes                            | Dimensions | Material | Colour | Part No.  |
|---|------------|----------|--------|-----------|
| Use only for Part No. 704.064.2 und 704.066.2 | Ø 50 mm    | plastic  | Yellow | 704.927.8 |
|   | Ø 83 mm    | plastic  | Yellow | 704.927.9 |

### Additional information

- The protection shroud Part is not suitable for a proper use of emergency-stop. It can obstruct a spontaneous operation of the emergency-stop switch
- Use only for Part No. 704.064.2 und 704.066.2



Dimensions [mm]

Dimensions [mm]



**Marking foil square**

| Product attributes                      | Material | Colour     | Optics      | Part No.  |
|---|----------|------------|-------------|-----------|
| For lens square, front illumination     | plastic  | Colourless | transparent | 704.707.7 |
| For lens square, full-face illumination | plastic  | Colourless | transparent | 704.706.7 |

**Additional information**

- Can be hot stamped

01  
02  
03  
**04**  
09  
14  
17  
18  
19  
22  
31  
41  
45  
51  
56  
57  
61  
70  
71  
82  
84  
92  
96



**EAO Downloads.**  
[www.eao.com/downloads](http://www.eao.com/downloads)  
*EAO creates possibilities. Since 1947.*



[On our website you can download technical data, assembly instructions, catalogs, brochures and much more.](#)

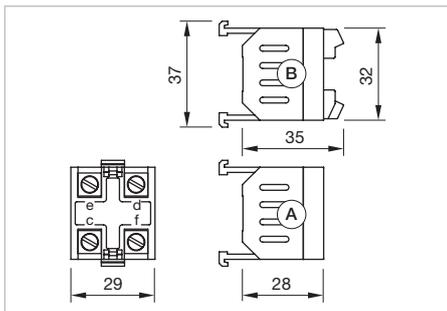
# 04 Accessories

## Rear side



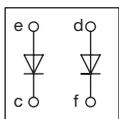
Diode block

| Terminal         | Part No.   | Wiring diagram |
|------------------|------------|----------------|
| Push-in Terminal | 704.942.5P | 370            |
| Screw terminal   | 704.942.5  | 370            |

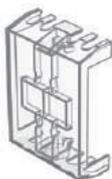


Dimensions [mm]  
 A = Screw terminal  
 Push-in terminal (PIT)

## Wiring diagrams

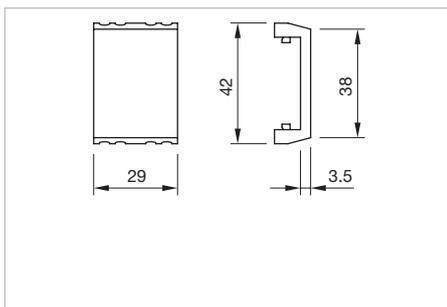


Wiring diagram 370



Terminal cover

| Product attributes             | Material | Part No.  |
|--------------------------------|----------|-----------|
| For covering of screw terminal | plastic  | 704.964.5 |



Dimensions [mm]



## Terminal marking

| Product attributes                           | Marking     | Part No.  |
|--|-------------|-----------|
| 2 NO for 1st or 2nd switching element        | 13/23 33/43 | 704.965.1 |
|  | 24/14 44/34 | 704.965.2 |
| 2 NO for 3rd switching element               | 53/63 73/83 | 704.965.3 |
|  | 64/54 84/74 | 704.965.4 |
| 2 NC for 1st or 2nd switching element        | 11/21 31/41 | 704.965.5 |
|  | 22/12 42/32 | 704.965.6 |
| 2 NC for 3rd switching element               | 51/61 71/81 | 704.965.7 |
|  | 62/52 82/72 | 704.965.8 |
| 1 NC + 1 NO for 1st or 2nd switching element | 13/21 33/41 | 704.965.9 |
|  | 22/14 42/34 | 704.966.0 |
| 1 NC + 1 NO for 3rd switching element        | 53/61 73/81 | 704.966.1 |
|  | 62/54 82/74 | 704.966.2 |



## Side terminal plate empty

| Product attributes | Dimensions               | Part No. |
|--------------------|--------------------------|----------|
| 5 spaces           | 62.5 mm x 15 mm x 60 mm  | 02-912.1 |
| 10 spaces          | 125 mm x 15 mm x 60 mm   | 02-912.2 |
| 15 spaces          | 187.6 mm x 15 mm x 60 mm | 02-912.3 |
| 20 spaces          | 250 mm x 15 mm x 60 mm   | 02-912.4 |



## Contact bridge

| Material | Part No.  |
|----------|-----------|
| metal    | 704.990.1 |

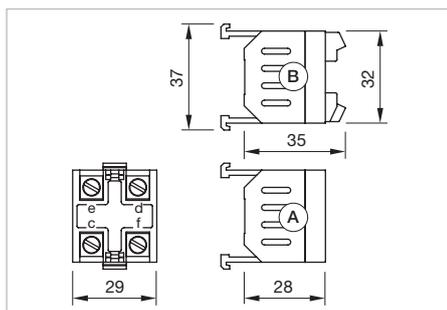
### Additional information

- For switching element with screw terminals
- Do not insert by Emergency-stop switches and by stop switches
- Available in unit of 10 pieces



## Resistor block

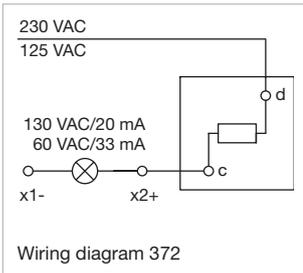
| Product attributes                 | Material | Operating voltage | Terminal         | Part No.   | Wiring diagram |
|------------------------------------|----------|-------------------|------------------|------------|----------------|
| Lamp voltage/-current 130 V, 20 mA | plastic  | 130 - 230 V AC    | Screw terminal   | 704.941.0  | 372            |
| Lamp voltage/- current 60 V, 33 mA | plastic  | 33 - 60 V AC      | Push-in Terminal | 704.941.5P | 372            |
|                                    | plastic  | 33 - 60 V AC      | Screw terminal   | 704.941.5  | 372            |



Dimensions [mm]  
 A = Screw terminal  
 Push-in terminal (PIT)

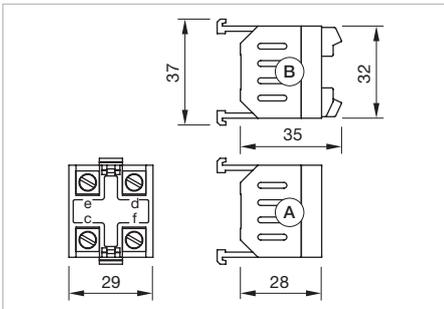
# 04 Accessories

## Wiring diagrams



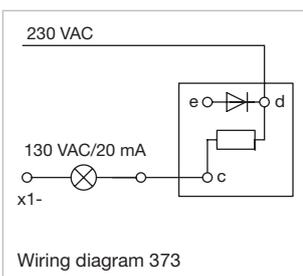
Side resistor diode block

| Product attributes                 | Material | Operating voltage | Terminal       | Part No.  | Wiring diagram |
|------------------------------------|----------|-------------------|----------------|-----------|----------------|
| Lamp voltage/-current 130 V, 20 mA | plastic  | 130 - 230 V AC    | Screw terminal | 704.941.9 | 373            |

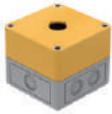


Dimensions [mm]  
A = Screw terminal  
Push-in terminal (PIT)

## Wiring diagrams

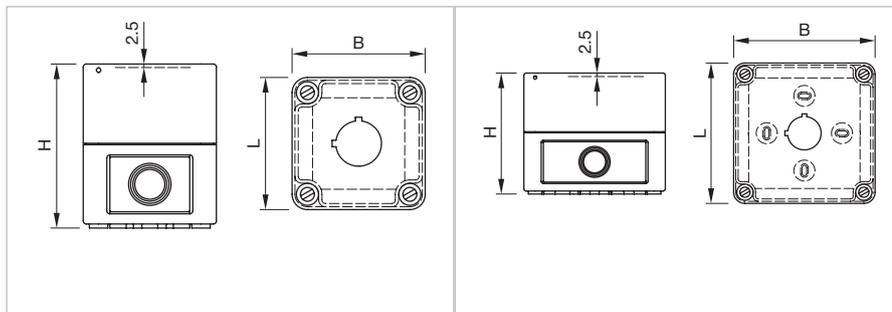


## Mounting



### Enclosure

| Product attributes   | Dimensions               | Material | Colour | IP Protection | Part No.  |
|--|--------------------------|----------|--------|---------------|-----------|
| Bottom grey similar RAL 7035; cover lead-sealable, yellow similar RAL 1004 | 94 mm x 81 mm x 94 mm    | plastic  | Grey   | IP66          | 704.945.0 |
|  | 65 mm x 81 mm x 65 mm    | plastic  | Grey   | IP66          | 704.945.7 |
|  | 94 mm x 81 mm x 65 mm    | plastic  | Grey   | IP66          | 704.945.8 |
| With mounting cut-out 1 x Ø 22.5 mm, with anti-twist device                | 94 mm x 81 mm x 94 mm    | plastic  | Grey   | IP66          | 704.945.1 |
| with mounting cut-out 2 x Ø 22.3 mm, with anti-twist device                | 130 mm x 81 mm x 94 mm   | plastic  | Grey   | IP66          | 704.945.2 |
| with mounting cut-out 3 x Ø 22.3 mm, with anti-twist device                | 180 mm x 81 mm x 94 mm   | plastic  | Grey   | IP66          | 704.945.3 |
| with mounting cut-out 4 x Ø 22.3 mm, with anti-twist device                | 180 mm x 110 mm x 182 mm | plastic  | Grey   | IP66          | 704.945.4 |
| with mounting cut-out 6 x Ø 22.3 mm, with anti-twist device                | 180 mm x 110 mm x 182 mm | plastic  | Grey   | IP66          | 704.945.5 |



Dimensions [mm]

Dimensions [mm]



### Lens plug

| Product attributes   | Material | Part No.  |
|--|----------|-----------|
| For mounting and dismantling of the round lens, flush design | plastic  | 700.006.0 |



### Lens remover

| Product attributes                               | Material | Part No. |
|--|----------|----------|
| For dismantling of the square lens, flush design | metal    | 98-968   |



### Cable gland

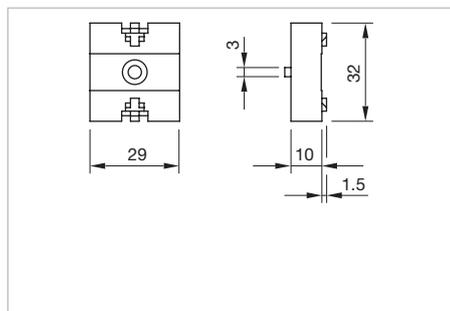
| Product attributes   | Material | Colour | IP Protection | Thread       | Part No.  |
|----------------------|----------|--------|---------------|--------------|-----------|
| With traction relief | plastic  | Grey   | IP68          | M16 x 1.5 mm | 61-9481.6 |
|                      | plastic  | Grey   | IP68          | M20 x 1.5 mm | 704.945.6 |

# 04 Accessories



**Mounting plate**

| Product attributes   | Material | Colour | Part No.  |
|--|----------|--------|-----------|
| For separate mounting of lamp transformer, resistor block or capacitor block | plastic  | Grey   | 704.940.8 |



Dimensions [mm]



**Mounting tool indicator**

| Product attributes                             | Material | Part No.  |
|--|----------|-----------|
| For Indicators full-face illumination, compact | metal    | 700.005.0 |



**Mounting tool key insert switch and conductor switch**

| Product attributes    | Material | Part No.  |
|-----------------------|----------|-----------|
| For key insert switch | metal    | 704.990.0 |

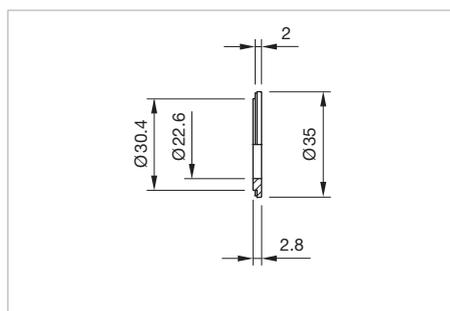


**Reducing ring**

| Product attributes              | Material  | Colour | Surface  | Part No.   |
|---------------------------------|-----------|--------|----------|------------|
|                                 | aluminium | Black  | anodised | 704.960.0  |
|                                 | aluminium | Nature | anodised | 704.960.8  |
| With slot for anti-twist device | aluminium | Nature | anodised | 704.960.8A |

**Additional information**

- Devices  $\varnothing 22.3$  mm in mounting cut-out  $\varnothing 30.5$  mm
- The colour of anodised aluminium parts can vary due to technical production reasons

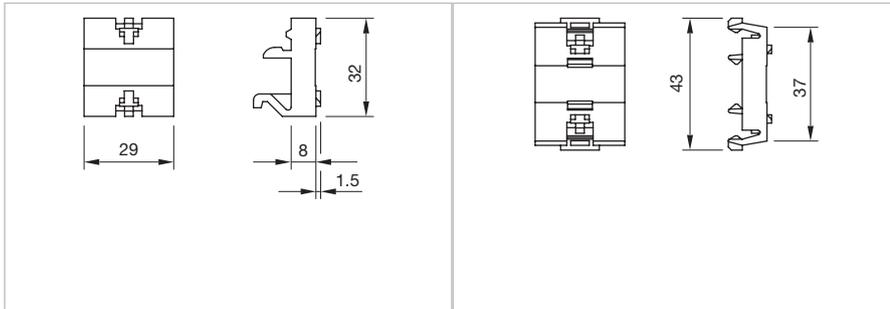


Dimensions [mm]



**On base**

| Product attributes   | Material | Colour     | Optics      | Part No.  |
|--|----------|------------|-------------|-----------|
| To snap-on, for separate mounting of lamp transformer, resistor block or capacitor block | plastic  | Black      |             | 704.940.9 |
|  | plastic  | Colourless | transparent | 704.941.1 |



Dimensions [mm]

Dimensions [mm]



**Reinforcement ring**

| Dimensions           | Material    | Surface    | Part No.  |
|----------------------|-------------|------------|-----------|
| 44 mm x 3 mm x 29 mm | steel_plate | galvanized | 704.960.9 |

**Additional information**

- For thin front panels and plastic case

# 04 Technical data

## Slow-make switching element

### Switching system

The double-break, slow-make switching element is equipped with one or two independent contact systems, acting as normally open or normally closed contact. The normally closed contact has forced opening.

Slow-make contacts with forced action are ideal for high switch ratings.

Up to three switching elements can be snapped to each actuator.

For the emergency-stop pushbutton use the slow-make switching element (max. 2).

### Material

#### Material of contact

Hard silver, gold-silver, silver-palladium (for aggressive atmospheres)

#### Switch housing

Plastic

### Mechanical characteristics

#### Terminals

Screw terminals

Plug-in terminals 6.3 mm x 0.8 mm

Max. wire cross-section 2 x 2.5 mm<sup>2</sup>

Max. wire cross-section of stranded cable 2 x 1.5 mm<sup>2</sup>

For switches with plug-in terminals it is necessary to provide insulation sleeves and to maintain a spacing of 65 mm between rows (mounting cut-outs)

#### Tightening torque

Screws at the plastic mounting flange max. 0.4–0.5 Nm

Screws at the metal mounting flange max. 0.25–0.3 Nm

Screws at switching element max. 0.50 Nm

#### Actuating force

1 Normally closed 2 N

1 Normally open 3.1 N

#### Actuating travel

Approx. 5.8 mm ± 0.2 mm

#### Mechanical lifetime

(with 1 switching element)

Pushbutton maintained action 1.5 million cycles of operation

Pushbutton momentary action 3 million cycles of operation

Selector switch maintained action 1.25 million cycles of operation

Selector switch momentary action 2.5 million cycles of operation

Emergency-stop switch 50 000 cycles of operation

Keylock switch maintained action 25 000 cycles of operation

Keylock switch momentary action 50 000 cycles of operation

### Electrical characteristics

#### Standards

The switches comply with the "Standards for low-voltage switching devices" DIN EN 60947-5-1

#### Rated Insulation Voltage $U_i$

500 VAC/600 VDC, as per DIN EN 60947-5-1

#### Electrical life

50 000 cycles of operations

#### Thermal current $I_{th}$

10 A

#### Switching voltage and switching current

as per EN IEC 60947-5-1

AC-15: 230 V, 7 A AC-15: 400 V, 5 A

AC-15: 500 V, 4 A DC-13: 24 V, 10 A

DC-13: 60 V, 5 A DC-13: 110 V, 2.5 A

#### Recommended minimum operational data

Gold-silver contacts:

Voltage 24 VDC 110 VDC

Current 5 mA 2 mA

Hard silver contacts:

Voltage 24 VDC 110 VDC

Current 50 mA 10 mA

#### Protection class

Indicators and switches, fit for mounting into devices with protection class II

### Ambient conditions

#### Storage temperature

–40 °C ... +85 °C

#### Operating temperature

–40 °C ... +55 °C

(other temperatures on request)

#### Protection degree

IP00

#### Shock resistance

(single impacts, semi-sinusoidal)

300 m/s<sup>2</sup> pulse width 11 ms, as per EN IEC 60068-2-27

#### Vibration resistance

(sinusoidal)

100 m/s<sup>2</sup> at 10 Hz ... 500 Hz, amplitude 0.75 mm, as per

EN IEC 60068-2-6

## Approvals

### Approbations

CB (IEC 60947-5-1 ,IEC60947-5-5)  
 CCC  
 CSA  
 DNV GL (previously Germanischer Lloyd)  
 EAC  
 NFF 16-102  
 UL  
 SEV (EN/IEC 60947-5-1, EN/IEC 60947-5-5)

### Conformities

CE  
 2014/35/EU (LVD)  
 2011/65/EC (RoHS)

## Snap-action switching element

### Switching system

The double-break, snap-action switching element is equipped with one or two independent contact systems, acting as normally open or normally closed contact. The snap-action switching element is fitted with self-cleaning contacts.

Up to three switching elements can be snapped to each actuator.

Snap-action switching elements are not permissible for emergency-stop pushbuttons!

### Material

#### Material of contact

Hard silver, gold-silver, silver-palladium (for aggressive atmospheres)

#### Switch housing

Plastic

### Mechanical characteristics

#### Terminals

Screw terminals  
 Plug-in terminals 6.3 x 0.8 mm  
 Max. wire cross-section 2 x 2.5 mm<sup>2</sup>  
 Max. wire cross-section of stranded cable 2 x 1.5 mm<sup>2</sup>  
 For switches with plug-in terminals it is necessary to provide insulation sleeves and to maintain a spacing of 65 mm between rows (mounting cut-outs)

#### Tightening torque

Screws at the plastic mounting flange max. 0.4–0.5 Nm  
 Screws at the metal mounting flange max. 0.25–0.3 Nm  
 Screws at switching element max. 0.50 Nm

#### Actuating force

1 Normally closed 1.9 N  
 1 Normally open 2 N

#### Actuating travel

Approx. 5.8 mm ± 0.2 mm

#### Mechanical lifetime

(with 1 switching element)

|                                   |                                  |
|-----------------------------------|----------------------------------|
| Pushbutton maintained action      | 1.5 million cycles of operation  |
| Pushbutton momentary action       | 3 million cycles of operation    |
| Selector switch maintained action | 1.25 million cycles of operation |
| Selector switch momentary action  | 2.5 million cycles of operation  |
| Keylock switch maintained action  | 25 000 cycles of operation       |
| Keylock switch momentary action   | 50 000 cycles of operation       |

### Electrical characteristics

#### Standards

The switches comply with the “Standards for low-voltage switching devices” DIN EN 60947-5-1

#### Rated Insulation Voltage U<sub>i</sub>

500 VAC/600 VDC, as per DIN EN 60947-5-1

#### Electrical life

50 000 cycles of operations

#### Thermal current I<sub>th</sub>

10 A

# 04 Technical data

## Switching voltage and switching current

as per EN IEC 60947-5-1 ( $\cos\varphi$  0.3)

AC-15: 230V, 6A      AC-15: 400V, 4A

AC-15: 500V, 2,5A      DC-13: 24V, 10A

DC-13: 60V, 3A      DC-13: 110V, 1A

## Recommended minimum operational data

Gold-silver contacts:

Voltage 5VDC    24VDC    110VDC

Current 15mA    5mA    2mA

Hard silver contacts:

Voltage 24VDC    110VDC

Current 50mA    10mA

## Protection class

Indicators and switches, fit for mounting into devices with protection class II

## Ambient conditions

### Storage temperature

-40 °C ... +85 °C

### Operating temperature

-40 °C ... +55 °C

(other temperatures on request)

### Protection degree

IP00

## Shock resistance

(single impacts, semi-sinusoidal)

300 m/s<sup>2</sup> pulse width 11 ms, as per DIN EN 60068-2-27

## Vibration resistance

(sinusoidal)

100 m3/s<sup>2</sup> at 10 Hz ... 500 Hz, amplitude 0.75 mm, as per

DIN EN 60068-2-6

## Approvals

### Approbations

CB (IEC 60947-5-1)

CCC

CSA

DNV GL (previously Germanischer Lloyd)

EAC

NFF 16-102

UL

SEV (EN/IEC 60947-5-1)

### Conformities

CE

2014/35/EU (LVD)

2011/65/EC (RoHS)

## Slow-make switching element PIT

### Switching system

The double-break, slow-make switching element is equipped with one or two independent contact systems, acting as normally open or normally closed contact. The normally closed contact has forced opening.

Slow-make contacts with forced action are ideal for high switch ratings.

Up to three switching elements can be snapped to each actuator.

For the emergency-stop pushbutton use the slow-make switching element (max. 2).

### Material

#### Material of contact

Hard silver and gold-silver

#### Switch housing

Plastic

### Mechanical characteristics

#### Terminals

PIT push-in terminal

Skimming 8 mm

Wire cross-section:

Wire 0.2 to 1.0 mm<sup>2</sup>

Stranded wire 0.2 to 1.0 mm<sup>2</sup> without core and sleeve

Stranded wire 0.2 to 0.75 mm<sup>2</sup> with core and sleeve

## Tightening torque

Screws at the mounting flange max. 0.4–0.5 Nm

## Actuating force

1 Normally closed 2 N

1 Normally open 3.1 N

## Actuating travel

approx. 5.8 mm ± 0.2 mm

## Mechanical lifetime

(with 1 switching element)

Pushbutton maintained action 1.5 million cycles of operation

Pushbutton momentary action 3 million cycles of operation

Selector switch maintained action 1.25 million cycles of operation

Selector switch momentary action 2.5 million cycles of operation

Emergency-stop switch 50 000 cycles of operation

Keylock switch maintained action 25 000 cycles of operation

Keylock switch momentary action 50 000 cycles of operation

## Electrical characteristics

### Standards

The switches comply with DIN EN 60947-1/EN IEC 60947-5-1

### Rated Insulation Voltage U<sub>i</sub>

500 VAC/600 VDC, as per DIN EN 60947-5-1

### Electrical life

50 000 cycles of operations

### Thermal current I<sub>th</sub>

6 A

### Switching voltage and switching current

as per DIN EN 60947-5-1

AC-15: 230 V, 6 A

DC-13: 24 V, 10 A

DC-13: 60 V, 3 A

DC-13: 110 V, 1 A

## Recommended minimum operational data

Gold-silver contacts:

Voltage 24 VDC

Current 5 mA

Hard silver contacts:

Voltage 24 VDC

Current 50 mA

## Protection class

Indicators and switches, fit for mounting into devices with protection class II

## Ambient conditions

### Storage temperature

–40 °C ... +85 °C

### Operating temperature

–40 °C ... +55 °C

(other temperatures on request)

### Protection degree

IP20

### Shock resistance

(single impacts, semi-sinusoidal)

300 m/s<sup>2</sup> pulse width 11 ms, as per DIN EN 60068-2-27

## Approvals

### Approbations

CB (IEC 60947-5-1, IEC 60947-5-5)

CCC

CSA

DNV GL (previously Germanischer Lloyd)

EAC

NFF 16-102

UL

SEV (EN 60947-5-1, EN 60947-5-5)

### Conformities

CE

2014/35/EU (LVD)

2011/65/EC (RoHS)

# 04 Technical data

## Snap-action switching element PIT

### Switching system

The double-break, snap-action switching element is equipped with one or two independent contact systems, acting as normally open or normally closed contact. The snap-action switching element is fitted with self-cleaning contacts.

Up to three switching elements can be snapped to each actuator.

Snap-action switching elements are not permissible for emergency stop pushbuttons!

### Material

#### Material of contact

Hard silver and gold-silver

#### Switch housing

Plastic

### Mechanical characteristics

#### Terminals

PIT push-in terminal

Skinning 8 mm

Wire cross-section:

Wire 0.2 to 1.0 mm<sup>2</sup>

Stranded wire 0.2 to 1.0 mm<sup>2</sup> without core and sleeve

Stranded wire 0.2 to 0.75 mm<sup>2</sup> with core and sleeve

#### Tightening torque

Screws at the mounting flange max. 0.4–0.5 Nm

#### Actuating force

1 Normally closed 1.9 N

1 Normally open 2 N

#### Actuating travel

Approx. 5.8 mm ± 0.2 mm

#### Mechanical lifetime

(with 1 switching element)

Pushbutton maintained action 1.5 million cycles of operation

Pushbutton momentary action 3 million cycles of operation

Selector switch maintained action 1.25 million cycles of operation

Selector switch momentary action 2.5 million cycles of operation

Keylock switch maintained action 25 000 cycles of operation

Keylock switch momentary action 50 000 cycles of operation

### Electrical characteristics

#### Standards

The switches comply with DIN EN 60947-1/DIN EN 60947-5-1

#### Rated Insulation Voltage $U_i$

500 VAC/600 VDC, as per DIN EN 60947-5-1

#### Electrical life

50 000 cycles of operations

#### Thermal current $I_{th}$

6 A

#### Switching voltage and switching current

as per DIN EN 60947-5-1

AC-15: 230 V, 6 A

DC-13: 24 V, 6 A

DC-13: 60 V, 3 A

DC-13: 110 V, 1 A

#### Recommended minimum operational data

Gold-silver contacts:

Voltage 24 VDC

Current 5 mA

Hard silver contacts:

Voltage 24 VDC

Current 50 mA

#### Protection class

Indicators and switches, fit for mounting into devices with protection class II

### Ambient conditions

#### Storage temperature

–40 °C ... +85 °C

#### Operating temperature

–40 °C ... +55 °C

(other temperatures on request)

#### Protection degree

IP20

#### Shock resistance

(single impacts, semi-sinusoidal)

300 m/s<sup>2</sup> pulse width 11 ms, as per DIN EN 60068-2-27

#### Vibration resistance

(sinusoidal)

100 m/s<sup>2</sup> at 10 Hz ... 500 Hz, as per DIN EN 60068-2-6 and

EN 61373 Increased broad band noise, class 1B

## Approvals

### Approbations

CB (IEC 60947-5-1)  
 CSA  
 DNV GL (previously Germanischer Lloyd)  
 EAC  
 NFF 16-102  
 UL  
 SEV (EN/IEC 60947-5-1)

### Conformities

CE  
 2014/35/EU (LVD)  
 2011/65/EC (RoHS)

## Lamp block

### Material

**Housing**  
 Plastic

### Mechanical characteristics

#### Terminals

Screw terminals  
 Plug-in terminals 6.3 x 0.8mm  
 Max. wire cross-section 2 x 2.5mm<sup>2</sup>  
 Max. wire cross-section of stranded cable 2 x 1.5mm<sup>2</sup>  
 For switches with plug-in terminals it is necessary to provide insulation sleeves and to maintain a spacing of 65mm between rows (mounting cut-outs)

#### Tightening torque

Screws at lamp block max. 0.5 Nm

### Electrical characteristics

#### Standards

The switches comply with DIN EN 60947-1/DIN EN 60947-5-1

#### Illumination

Voltage 250V max.  
 Power 2.6W max.  
 BA9s standard adaptable.

### Ambient conditions

**Storage temperature**  
 -40°C ... +85°C

**Operating temperature**  
 -40°C ... +55°C  
 (other temperatures on request)

**Protection degree**  
 IP00

**Shock resistance**  
 (single impacts, semi-sinusoidal)  
 300 m/s<sup>2</sup> pulse width 11 ms, as per DIN EN 60068-2-27

**Vibration resistance**  
 (sinusoidal)  
 100 m/s<sup>2</sup> at 10 Hz ... 500 Hz, as per DIN EN 60068-2-6 and EN 61373 Increased broad band noise, class 1B

# 04 Technical data

## Lamp block PIT

### Material

Housing  
Plastic

### Mechanical characteristics

#### Terminals

PIT push-in terminal  
Skinning 8 mm  
Wire cross-section:  
Wire 0.2 to 1.0 mm<sup>2</sup>  
Stranded wire 0.2 to 1.0 mm<sup>2</sup> without core and sleeve  
Stranded wire 0.2 to 0.75 mm<sup>2</sup> with core and sleeve

### Electrical characteristics

#### Standards

The switches comply with EN IEC 60947-1/EN IEC 60947-5-1

#### Illumination

Voltage 250 V max.  
Power 2.6 W max.  
BA9s standard adaptable.

### Ambient conditions

**Storage temperature**  
-40 °C ... +85 °C

**Operating temperature**  
-40 °C ... +55 °C  
(other temperatures on request)

**Protection degree**  
IP20

**Shock resistance**  
(single impacts, semi-sinusoidal)  
300 m/s<sup>2</sup> pulse width 11 ms, as per DIN EN 60068-2-27

**Vibration resistance**  
(sinusoidal)  
100 m/s<sup>2</sup> at 10 Hz ... 500 Hz, as per DIN EN 60068-2-6 and  
EN 61373 Increased broad band noise, class 1B

## Dual lamp block

### Material

Housing  
Plastic

### Mechanical characteristics

#### Terminals

PIT push-in-terminal  
Strip length L = 8 mm

#### Wire cross section

Max. wire cross section 0.2 to 1.0 mm<sup>2</sup>  
Max. wire cross section of stranded cable 0.2 to 0.75 mm<sup>2</sup> with  
bootlace ferrules

### Electrical characteristics

#### Lighting

Illuminant = 2 SMD-LEDs white

#### Operating voltages

24 VDC (-30 % / +25 %)  
110 VDC (-30 % / +25 %)

**Operating current**  
Typ. 8 mA

### Ambient conditions

**Storage temperature**  
-40 °C ... +85 °C

**Operating temperature**  
-40 °C ... +60 °C  
(other temperatures on request)

**Degree of protection**  
IP20

**Resistance to shock**  
500 m/s<sup>2</sup>, pulse duration 11 ms, according to EN IEC 60068-2-27  
(semi-sinusoidal)

**Broadband noise**  
5.72 m/s<sup>2</sup> per axis, 5 h (duration), class 1B according to  
DIN EN 61373

## Approvals

Approbations  
UL-94 V0  
EN 45545

## Buzzer

### Buzzer

#### System

Piezo disc

### Material

#### Buzzer case

Plastic

#### Front cap

Flush design

Aluminium black anodised

Aluminium natural anodised

Raised design

Plastic

Metal = nickel-plated brass (sea-water proof)

### Mechanical characteristics

#### Terminals

Plug-in terminal 2.8 x 0.5 mm

#### Tightening torque

For fixing nut max. 0.25 Nm

### Acoustic characteristics

#### Frequency (tone)

Approx. 2.8 kHz continuous tone only

#### Sound pressure

95 db (A) ±8 dB at a distance of 0.1 m

### Electrical characteristics

#### Operation Voltage/Current

Operation Voltage 24VDC ±10 %

Operation Current ≤ 25 mA

### Ambient conditions

#### Storage temperature

-40 °C ... +85 °C

#### Operating temperature

-40 °C ... +55 °C

(other temperatures on request)

#### Protection degree

As per DIN EN 60529, frontside

IP40, devices flush design

IP65, devices raised design

### Approvals

#### Conformities

CE

2014/35/EU (LVD)

2011/65/EC (RoHS)

# 04 Technical data

## Actuator

### Material

#### Front ring

Polyamide, Aluminium or Stainless steel

#### Mounting flange

Plastic, metal

#### Actuator housing

Plastic

### Mechanical characteristics

#### Actuating force

Mounting style square flush 6.2 N  
Other mounting styles 8 N

#### Actuating travel

Approx. 5.8 mm ± 0.2 mm

#### Mechanical lifetime

(with 1 switching element)

|                     |                                   |
|---------------------|-----------------------------------|
| Pushbutton          | ≤ 3 million cycles of operation   |
| Selector switch     | ≤ 2.5 million cycles of operation |
| Stop switch         | ≤ 50 000 cycles of operation      |
| Fool proofed E-stop | ≥ 50 000 cycles of operation      |
| Keylock switch      | ≤ 50 000 cycles of operation      |
| Key insert switches | ≤ 250 000 cycles of operation     |

#### Keylock switch

The standard lock number is 251, the last digit of the device Part No. = 0 (example: 704.335.0).

Additional lock numbers are available:

252 last digit = 1; 253 last digit = 2; 254 last digit = 3  
255 last digit = 4, 256 last digit = 5; 257 last digit = 6  
258 last digit = 7; 259 last digit = 8; 260 last digit = 9

### Electrical characteristics

#### Standards

The switches comply with the "Rules for low-voltage switching devices" EN IEC 60947-5-1

### Ambient conditions

#### Storage temperature

-40 °C ... +85 °C

#### Operating temperature

-40 °C ... +55 °C

(other temperatures on request)

#### Protection degree

As per EN IEC 60529

IP65 front side (IP65 and IP67 Key insert switch)

## Kraus Naimer rotary selector switching element

### Mechanical characteristics

#### Terminals

Screw terminals  
Terminal lead material copper wires only  
Max. permissible wire gage:  
Single-core or stranded wire 2 x 1.5 mm<sup>2</sup> (2 x AWG 14)  
Flexible wire 2 x 1.5 mm<sup>2</sup> (2 x AWG 16)

#### Tightening torque

For fixing nut max. 0.25 Nm

#### Number of stages

1 to 8 positions max.

#### Number of contacts

1 to 16 max. normally open contacts  
(contact positioning according circuit drawing)

#### Switching angle

Basic position of switching position "A" is 9 o'clock

| Maintained action | Switching angle |
|-------------------|-----------------|
| 12 max.           | 30°             |
| 8 max.            | 45°             |
| 6 max.            | 60°             |
| 4 max.            | 90°             |

Momentary action with release 24°

(provide at the beginning or at the end)

#### Standard type of Kraus & Naimer

CG4 Hard Silver contacts with 1 µm Gold layer  
CG4-1 Hard Silver contacts with 35 µm Gold layer

## Electrical characteristics

**Minimum Voltage**  
20V

**Rated Impulse Withstand Voltage  $U_{imp}$**   
4kV

**Short Circuit Protection**  
Max. fuse size (gL-characteristic) 10A  
Rated short-time withstand current (1s-current) 90A

## Electrical characteristics for AC

**Standards**  
The devices comply with: DIN EN 60947-3, VDE 0660 part 107

**Rated Operational Voltage  $U_e$**   
440V

**Rated Insulation Voltage  $U_i$**   
440V

**Rated Thermal Current  $I_{th}$  /  $I_{th}$**   
10A

**Rated Operational Current  $I_e$**   
AC-15 Switching of control devices, contactors, valves etc.

|           |      |
|-----------|------|
| 110V–120V | 2.5A |
| 220V–240V | 2.5A |
| 380V–440V | 1.5A |

No load operation  
10A

AC-21A Switching of resistive loads, including moderate overloads  
For switching of power > 1kW  
10A

AC-22A Switching of combined resistive or low inductive loads including moderate overloads  
220V–240V 10A

**Rated Utilization Category**  
AC-2 Slip ring motor starting, reversing and plugging, star-delta starting 3 phase, 3 pole

|           |       |
|-----------|-------|
| 220V–240V | 2.5kW |
| 380V–440V | 4.5kW |

AC-3 Direct-on-line starting, star-delta starting

|                 |           |        |
|-----------------|-----------|--------|
| 3 phase, 3 pole | 220V–240V | 2.50kW |
|                 | 380V–440V | 2.20kW |
| 1 phase, 2 pole | 110V–120V | 0.30kW |
|                 | 220V–240V | 0.55kW |
|                 | 380V–440V | 0.75kW |

AC-Direct-on-line starting, reversing, plugging and inching

|                 |           |        |
|-----------------|-----------|--------|
| 3 phase, 3 pole | 220V–240V | 0.37kW |
|                 | 380V–440V | 0.55kW |
| 1 phase, 2 pole | 110V–120V | 0.15kW |
|                 | 220V–240V | 0.25kW |
|                 | 380V–440V | 0.50kW |

AC-23A Frequent switching of motors or other high inductive loads

|                 |           |        |
|-----------------|-----------|--------|
| 3 phase, 3 pole | 220V–240V | 1.80kW |
|                 | 380V–440V | 3.00kW |
| 1 phase, 2 pole | 110V–120V | 0.37kW |
|                 | 220V–240V | 0.75kW |
|                 | 380V–440V | 1.10kW |

**Overvoltage category**  
III, valid for lines with grounded common neutral termination

**Degree of pollution**  
3, valid for lines with grounded common neutral termination

## Electrical characteristics for AC (UL/Canada)

**Rated operational voltage**  
300V

**Rated Insulation Voltage  $U_i$**   
300V

**Rated Thermal Current**  
10A

**Ampere Rating**  
Resistive or low inductive loads, for switching of power > 1kW, 10A

**Ratings**  
Standard motor load, DOL Rating (similar AC-3)

|                 |           |        |
|-----------------|-----------|--------|
| 3 phase, 3 pole | 110V–120V | 0.75HP |
|                 | 220V–240V | 1.00HP |
| 1 phase, 2 pole | 110V–120V | 0.33HP |
|                 | 220V–240V | 0.75HP |
|                 | 277V–277V | 0.75HP |

**Pilot Duty, Heavy**  
300VAC

# 04 Technical data

## Electrical characteristics for DC

### Switching voltage and switching current DC

Resistive loads  $T \leq 1 \text{ ms}$

### Number of series contact(s)

| 1    | 2    | 3    | 4    | 5    | 6    | 8    |
|------|------|------|------|------|------|------|
| 24V  | 48V  | 70V  | 95V  | 120V | 145V | 190V |
| 48V  | 95V  | 140V | 190V | 240V | 290V | 350V |
| 60V  | 120V | 180V | 240V | 300V | 360V | 450V |
| 110V | 220V | 330V | 440V | 550V | 660V |      |
| 220V | 440V | 660V |      |      |      |      |
| 440V | 660V |      |      |      |      |      |

### Switch capacity

|       |
|-------|
| 10.0A |
| 6.0A  |
| 2.5A  |
| 0.7A  |
| 0.3A  |
| 0.2A  |

Inductive loads  $T = 50 \text{ ms}$

### Number of series contact(s)

| 1    | 2    | 3    | 4    | 5    | 6    | 8    |
|------|------|------|------|------|------|------|
| 24V  | 48V  | 70V  | 95V  | 120V | 145V | 190V |
| 30V  | 60V  | 90V  | 120V | 150V | 180V | 240V |
| 48V  | 95V  | 140V | 190V | 240V | 290V | 350V |
| 60V  | 120V | 180V | 240V | 300V | 360V | 450V |
| 110V | 220V | 330V | 440V | 550V | 660V |      |

### Switch capacity

|      |
|------|
| 6.0A |
| 3.0A |
| 1.0A |
| 0.7A |
| 0.3A |

## Ambient conditions

### Operating temperature

Ambient Temperatures of Stages

|                             |                                       |
|-----------------------------|---------------------------------------|
| open at 100% $I_u / I_{th}$ | 55°C during 24h with peaks up to 60°C |
| enclosed at 100% $I_{the}$  | 35°C during 24h with peaks up to 40°C |

## Santon rotary selector switching element

### Mechanical characteristics

#### Terminals

Screw terminals

Terminal lead material copper wires only

Max. wire gauge:

Single or multi-wire  $2 \times 1.5 \text{ mm}^2$  (2 x AWG 12)

Fine wire  $2 \times 1.5 \text{ mm}^2$  (2 x AWG 12)

Min. wire gauge:

Single or multi-wire  $2 \times 0.5 \text{ mm}^2$  (2 x AWG 20)

Fine wire  $2 \times 0.5 \text{ mm}^2$  (2 x AWG 20)

#### Tightening torque

For fixing nuts max. 0.5 Nm

#### Number of stages

1 to 8 stages max.

#### Number of contacts

1 to 16 closing contacts

(contacts positioning according to wiring diagram)

#### Switching angle

Basic position of switching position "A" is 9 o'clock

Maintained action switching angle

12 max. 30°

8 max. 45°

6 max. 60°

4 max. 90°

Momentary action with release 30°

#### Standard type of Santon

F1V Hard Silver contacts Gold plated

### Electrical Characteristics

#### Minimum Voltage

20V

#### Rated Impulse Withstand Voltage $U_{imp}$

4KV

#### Short Circuit Protection

Max. fuse size (gL-characteristics)

25 KA => 16A

10 KA => 20A

Rated short-time withstand current (1s-current) 250A

### Electrical Characteristics for AC

#### Standards

The devices comply with: IEC 60947, IEC 60204, DIN EN 61058, UL508, C22.2 No.14

#### Rated Operational Voltage $U_o$

480 V

#### Rated Insulation Voltage $U_i$

480 V

#### Rated Operational Current $I_o$

AC-15 switching of control devices, contractors, valves, etc.

220V – 230V 8 A

380V – 440V 6 A

AC-20A no load operation

20A

AC-21A Switching of resistive loads, including moderate overloads for switching of power > 1 kW

20 A

AC-23 Switching of motors or other high-inductive loads

|                 |             |         |
|-----------------|-------------|---------|
| 3-phase, 3-pole | 220V – 230V | 5,00 kW |
|                 | 380V – 440V | 7,50 kW |
| 1-phase, 2-pole | 220V – 230V | 2,50 kW |
|                 | 380V – 440V | 3,70 kW |

#### Related Utilization Category

AC-3 Direct starting of squirrel-cage induction motors, switching off during the starting, star-delta starting

|                    |             |         |
|--------------------|-------------|---------|
| 3-phasing, 3-polig | 220V – 240V | 3,00 kW |
|                    | 380V – 440V | 5,00 kW |
| 1-phasing, 2-polig | 220V – 230V | 2,20 kW |
|                    | 380V – 440V | 3,00 kW |

#### Degree of pollution

3, valid for lines with grounded common neutral termination

### Electrical characteristics for AC (UL/Canada)

#### Rated operational voltage

300V

#### Rated Insulation Voltage $U_i$

300V

#### Rated Thermal Current

15A

#### Ampere Rating

Resistive or low inductive loads, for switching of power > 1 kW, 15A

#### Ratings

Standard motor load, DOL Rating (similar to AC-3)

|                 |             |         |
|-----------------|-------------|---------|
| 3-phase, 3-pole | 220V – 240V | 3.00 HP |
|-----------------|-------------|---------|

### Electrical characteristics for DC

#### Switching voltage and switching current DC

Resistive loads  $T \leq 1$  ms DC 21

#### Number of series contact(s)

| 1     | 2     | 5     | 8     | Switch capacity |
|-------|-------|-------|-------|-----------------|
| 24 V  | 110 V | 220 V | 440 V | 20.0 A          |
| 48 V  |       |       |       | 20.0 A          |
| 60 V  |       |       |       | 20.0 A          |
| 110 V |       |       |       | 4.0 A           |
| 220 V |       |       |       | 0.7 A           |
| 440 V |       |       |       | 0.25 A          |

#### Inductive Loads $T = 50$ ms DC13

#### Number of series contact(s)

| 1     | 2    | 3    | 6     | 8     | Switch capacity |
|-------|------|------|-------|-------|-----------------|
| 24 V  | 48 V | 60 V | 110 V | 220 V | 20.0 A          |
| 48 V  |      |      |       |       | 16.0 A          |
| 60 V  |      |      |       |       | 12.0 A          |
| 110 V |      |      |       |       | 1.0 A           |
| 220 V |      |      |       |       | 0.4 A           |
| 440 V |      |      |       |       | 0.15 A          |

### Ambient conditions

#### Operating Temperature

Ambient Temperature of Stages

-25 °C ... +55 °C

#### Shock resistance

(single impact, semi-sinusoidal)

300m/s<sup>2</sup> pulse width 11 ms, as per DIN EN 600068-2-27

#### Fire Protection norms

EN 45545

# 04 Technical data

## Flasher

### Material

**Housing**  
Plastic, in accordance with UL 94 V0

### Ambient conditions

**Operating temperature**  
0° ... +50 °C

**Protection degree**  
Rear side IP30

### Mechanical characteristics

**Terminals**  
Screw terminal

### Electrical characteristics

**Flasher frequency**  
1.5 Hz

**Relative duty factor**  
Approx. 50 %

## Emergency call switch

### Material

**Lens**  
Aluminium red

**Front bezel**  
Aluminium natural

### Ambient conditions

**Storage temperature**  
-40 °C ... +85 °C

**Operating temperature**  
-40 °C ... +55 °C

**Protection degree**  
IP65 front side

### Mechanical characteristics

**Terminals**  
Screw terminal  
Max. wire cross-section 2 x 2.5 mm<sup>2</sup>  
Max. wire cross-section of stranded cable 2 x 1.5 mm<sup>2</sup>

**Mechanical lifetime**  
As per IEC 337-1/2  
50 000 cycles of operation with 1 switching element

**Switching element**  
Snap-action switching element

### Approvals

**Approbations**  
SEV  
CSA  
UL  
ENEC  
DNV GL (previously Germanischer Lloyd)  
CB

**Conformities**  
CE

EAO reserves the right to alter specifications without further notice.

## General notes

### 1. Engraving

In addition to the most commonly used world languages, in DIN1451-3 close spacing, other typefaces are available as Scandinavian, Slavic, Greek, Russian and Polish. Red, blue and black lenses are filled with white colour. Other colour lenses are filled in black. Standard height of letters is 3 mm. If the height is not specified, we will supply 3 mm engraved letters.

### 2. Hot stamping

For larger series it is worth considering markings by means of hot stamping. We will be pleased to advise you. For letters and figures, typefaces with 2.5 mm, 3 mm and 4 mm are available.

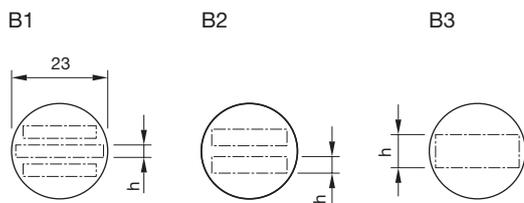
### 3. Film inserts

Instead of using engraving the square lenses can be fitted with film inserts, as an alternative. Film thickness is 0.25 mm. Max. film size: for Indicator 24.5 x 24.5 mm, for illuminated pushbutton 21.5 x 21.5 mm.

## Engraving marking cap for Indicator round, full face illumination

All dimensions in mm

| Height of text cap | Height of letters h | Number of lines | Number of capital letters per line (guide value) | Number of lowercase letters per line (guide value) | Picture |
|--------------------|---------------------|-----------------|--|--|---------|
| Text cap (∅ 23)    | 3                   | 3               | 8-9  | 9-10   | B1      |
|                    | 4                   | 3               | 5-7  | 6-8  | B1      |
|                    | 8                   | 3               | –  | –  | B1      |
|                    | 3                   | 2               | 8  | 9  | B2      |
|                    | 4                   | 2               | 5  | 6  | B2      |
|                    | 8                   | 2               | 2  | 2  | B2      |
|                    | 3                   | 1               | 9  | 10   | B3      |
|                    | 4                   | 1               | 7  | 8  | B3      |
|                    | 8                   | 1               | 3  | 3-4  | B3      |



The gap between two words results in each case a letter less.

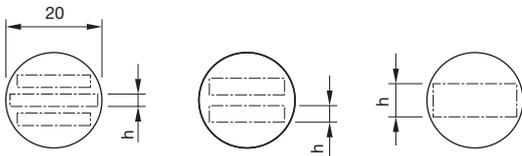
# 04 Marking

## Engraving marking plate for Indicator and illuminated Pushbutton round, front illumination

All dimensions in mm

| Height of marking plate | Height of letters h | Number of lines | Number of capital letters per line (guide value) | Number of lowercase letters per line (guide value) | Picture |
|-------------------------|---------------------|-----------------|--|--|---------|
| Marking plate (Ø 20)    | 3                   | 3               | 6-8  | 7+9  | B1      |
|                         | 4                   | 3               | 5-6  | 6-7  | B1      |
|                         | 8                   | 3               | -  | -  | B1      |
|                         | 3                   | 2               | 6  | 7  | B2      |
|                         | 4                   | 2               | 5  | 6  | B2      |
|                         | 8                   | 2               | 1  | 2  | B2      |
|                         | 3                   | 1               | 8  | 9  | B3      |
|                         | 4                   | 1               | 6  | 7  | B3      |
|                         | 8                   | 1               | 3  | 3  | B3      |

B1                      B2                      B3

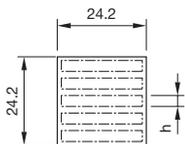


The gap between two words results in each case a letter less.

## Engraving diffusor cap for Indicator square, full face illumination

All dimensions in mm

| Height of letters h | Number of lines | Number of capital letters per line (guide value) | Number of lowercase letters per line (guide value) |
|---------------------|-----------------|--|--|
| 2.5                 | 6               | 12   | 13   |
| 3.0                 | 5               | 10   | 11   |
| 4.0                 | 4               | 7  | 8  |
| 5.0                 | 3               | 6  | 7  |
| 6.0                 | 3               | 5  | 5-6  |
| 8.0                 | 2               | 4  | 4-5  |

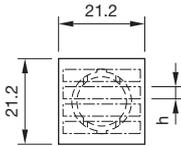


The gap between two words results in each case a letter less.

## Engraving lens holder for Indicator and Illuminate Pushbutton square, front illumination

All dimensions in mm

| Height of letters h | Number of lines | Number of capital letters per line (guide value) | Number of lowercase letters per line (guide value) |
|---------------------|-----------------|--|--|
| 2.5                 | 5               | 10   | 11   |
| 3.0                 | 5               | 9  | 9-10   |
| 4.0                 | 4               | 6  | 7  |
| 5.0                 | 3               | 5  | 6  |
| 6.0                 | 1               | 4  | 4-5  |
| 8.0                 | 2               | 2-3  | 3  |



The gap between two words results in each case a letter less.

**Important: Consider lens holder mounting orientation before specifying engraving characters!**

## Engraving legend plates

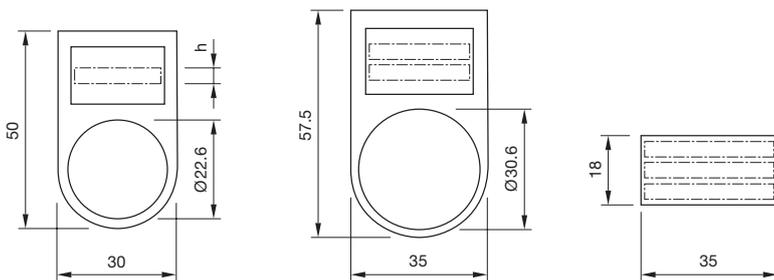
All dimensions in mm

| Dimension | Devices mounting style | Height of letters h | Number of lines | Number of capital letters per line (guide value) | Number of lowercase letters per line (guide value) | Picture |
|-----------|------------------------|---------------------|-----------------|--|--|---------|
| 30 x 50   | round, raised          | 3                   | 2               | 10   | 11   | B1      |
|           |                        | 4                   | 1               | 7  | 8  | B1      |
|           |                        | 8                   | 1               | 3  | 4  | B1      |
| 35 x 57.5 | round, flush           | 3                   | 2               | 10   | 11   | B2      |
|           |                        | 4                   | 1               | 7  | 8  | B2      |
|           |                        | 8                   | 1               | 3  | 4  | B2      |
| 18 x 35   | square, flush          | 3                   | 3               | 15   | 16   | B3      |
|           |                        | 4                   | 2               | 10   | 12   | B3      |

B1

B2

B3



The gap between two words results in each case a letter less.

# 04 Marking

## Standard texts for marking plates and marking caps for Indicator and Illuminated Pushbutton

Height of letters 6 mm

|  |   |  |   |
|--|---|--|---|
|  I Part No. 704.609.912001      |  II Part No. 704.609.912002    |  III Part No. 704.609.912003  |  O Part No. 704.609.912004     |
|  EIN Part No. 704.609.912005    |  AUS Part No. 704.609.912006   |  AUF Part No. 704.609.912007  |  AB Part No. 704.609.912008    |
|  START Part No. 704.609.912009  |  STOP Part No. 704.609.912010  |  HAND Part No. 704.609.912011 |  AUTO Part No. 704.609.912012  |
|  ZU Part No. 704.609.912013     |  ON Part No. 704.609.912014    |  OFF Part No. 704.609.912015  |  ARRET Part No. 704.609.912016 |
|  MARCHE Part No. 704.609.912017 |  RESET Part No. 704.609.912018 |  |   |

## Symbols for marking plates and marking caps for Indicator and Illuminated Pushbutton

All marking plates with the printed article-numbers are available for flat lenses, marking cap only on request.

|   |   |  |   |
|---|---|--|---|
|  Part No. 704.609.910001<br>Direction of linear rectilinear motion (also for → ↓↑) |  Part No. 704.609.910002<br>Linear motion in 2 directions (also for ↓) |  Part No. 704.609.910004<br>Limited linear motion (also for ← ↓↑)     |  Part No. 704.609.910007<br>Direction of continuous rotation (right) |
|  Part No. 704.609.9100071<br>Direction of continuous rotation (left)               |  Part No. 704.609.910008<br>Rotation in 2 directions                   |  Part No. 704.609.910009<br>Direction of interrupted rotation (right) |  Part No. 704.609.910010<br>Limited rotation (right)                 |
|  Part No. 704.609.9100101<br>Limited rotation (left)                               |  Part No. 704.609.910013<br>Direction of spindle rotation              |  Part No. 704.609.910026<br>Rapid traverse                            |  Part No. 704.609.910028<br>Increase of value (speed, for instance)  |
|  Part No. 704.609.910029<br>Decrease of value (speed, for instance)                |  Part No. 704.609.910041<br>Electric motor                             |  Part No. 704.609.910048<br>Pump (general symbol)                     |  Part No. 704.609.9100631<br>Lock or tighten                         |
|  Part No. 704.609.9100632<br>Lock or tighten                                       |  Part No. 704.609.9100641<br>Unlock, unclamp                           |  Part No. 704.609.9100642<br>Unlock, unclamp                          |  Part No. 704.609.910065<br>Brake on                                 |
|  Part No. 704.609.910066<br>Brake off   |  Part No. 704.609.910067<br>Automatic (or semi-automatic) cycle       |  Part No. 704.609.910068<br>Hand control                             |  Part No. 704.609.910069<br>Start, on                               |
|  Part No. 704.609.910070<br>Stop, off  |  Part No. 704.609.910071<br>Start and stop with same button          |  Part No. 704.609.910072<br>In action as long as button is operated |  Part No. 704.609.910074<br>Engaging (mechanical start)            |
|  Part No. 704.609.910075<br>Disengaging (mechanical stop)                        |  Part No. 704.609.910092<br>Danger (high voltage)!                   |  Part No. 704.609.910093<br>Caution!                                |  Part No. 704.609.910101<br>Coolant fluid                          |
|  Part No. 704.609.910102<br>Machine lighting                                     |  Part No. 704.609.910108<br>Blast                                    |  |   |

# 04 Marking

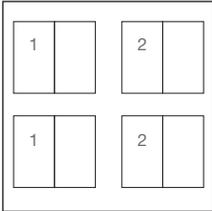
## Terminal Markings

We supply the switch elements with terminal marking labels inserted, the figures always being visible for the first element (immediately following the actuator). Therefore, when two switch elements are used, these inserts have to be turned for the second element. Then the numbers appear as described under III.

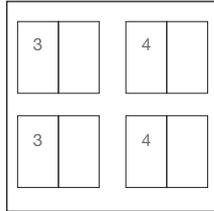
If more than two switch elements are used, this should be noted on your order, in order that we may insert and deliver the marking labels accordingly.

### I. Consecutive numbering of switch systems (2 per switch element)

First switch element

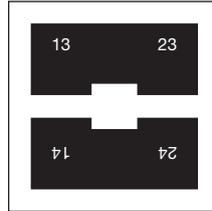


Second switch element

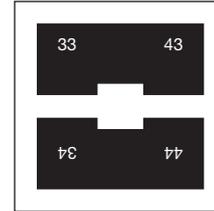


### III. Example of the correct insertion of the labels for 2 switch elements with normally open contacts

First switch element



Second switch element

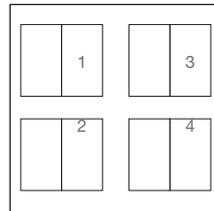
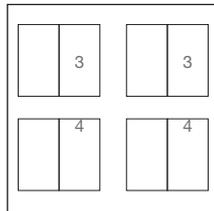
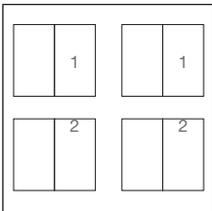


When more than 2 switch elements are used, the numbering is sequenced accordingly (5, 6 etc.).

Labels for normally closed and normally closed/normally open contacts should be inserted accordingly.

### II. Marking of normally closed contact, normally open contact and their combinations

Normally closed (1–2)    Normally open (3–4)    Normally closed/  
open



## Suppressor circuits

When switching inductive loads such as relays, DC motors, and DC solenoids, it is always important to absorb surges (e.g. with a diode) to protect the contacts. When these inductive loads are switched off, a counter emf can severely damage switch contacts and greatly shorten lifetime.

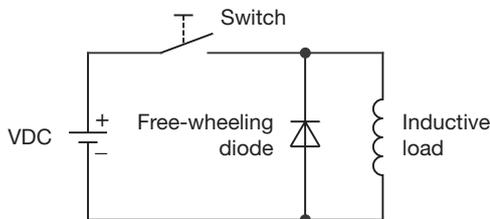
Fig. 1 shows an inductive load with a free-wheeling diode connected in parallel. This free-wheeling diode provides a path for the inductor current to flow when the current is interrupted by the switch. Without this free-wheeling diode, the voltage across the coil will be limited only by dielectric breakdown voltages of the circuit or parasitic elements of the coil. This voltage can be kilo-

volts in amplitude even when nominal circuit voltages are low (e.g. 12VDC) see Fig. 2.

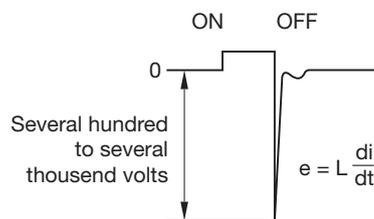
The free-wheeling diode should be chosen so that the reverse breakdown voltage is greater than the voltage driving the inductive load. The DC blocking voltage ( $V_R$ ) of the free-wheeling diode can be found in the datasheet of a diode. The forward current should be equal or greater than the maximum current flowing through the load.

**To get an efficient protection, the free-wheeling diode must be connected as close as possible to the inductive load!**

Switching with inductive load  
Fig. 1



Counter EMF  
over load without free-wheeling diode  
Fig. 2





## X-ON Electronics

Largest Supplier of Electrical and Electronic Components

*Click to view similar products for [Pushbutton Switches](#) category:*

*Click to view products by [EAO](#) manufacturer:*

Other Similar products are found below :

[8940K2012](#) [LW1L-M1C10V-A](#) [LW1L-M1C70-A](#) [LW2L-A1C20M-GD](#) [LW2L-M1C20M-A](#) [60324L](#) [M22-D-R-GB0/K11](#) [M7E-HRN2](#)  
[67021K512](#) [67081K512X](#) [701PB580](#) [7199K101](#) [810K12910](#) [810KSV30B](#) [MML21EA2ADK](#) [MML21KA3ABK](#) [MML23KA3AC05K-001](#)  
[MML23KW3AA01W](#) [8418K2](#) [8442K3](#) [8450K1](#) [860K11911T01A](#) [861901](#) [861K11911T01A07](#) [861K13810T00A14](#) [861K13911](#)  
[8646AB6X718UL](#) [8646ABUL](#) [9001KXRK](#) [907AYY100](#) [PMHD155A1](#) [9533CD4+U574+U4922](#) [95-414.000](#) [99-450.837](#) [99-453.837](#)  
[PV3H2B0NN-341](#) [1203MRA](#) [A22NZBGANGA](#) [A22NZBNANGA](#) [A22NZMPATRA](#) [A2PMA1X03EC56](#) [A3A-5123-02](#) [A3A-7140](#) [A3A-7310](#) [A3A-7340](#) [A3U-TMW-A2C-5M](#) [A595](#) [12037A2ULCSA](#) [ABD122N-B](#) [1211390004](#)