



NO.

ECAB1808034

Acknowledgement Book

Customer : _____

Production name: HC-49S/SMD X'TAL 12.50×4.80×3.80Nominal Freq. : 24.576000MHz


Customer P/N : _____

ECEC P/N : C24576J090

Receiver

Please return one after acknowledgement

JinHua East Crystal Electronic Co.,Ltd.

Approved By	MFG	QA	PE/RD
			
总经理: 骆红利	副总: 林士全	副总: 黄文俊	部长: 辜批林
2018/8/16	2018/8/16	2018/8/16	2018/8/16

公司名称: **东晶电子金华有限公司**

Corporation: JinHua East Crystal Electronic Co.,Ltd.

地址: 浙江省金华市宾虹路二段555号

ADD: No 555,Sec 2,Binghong Road Jinhua Zhejiang , P.R.C

电话(TEL): 0086-0579-89186666 0086-579-89186777

FAX: 0086-579-89186677 <http://www.ecec.com.cn>

BOOK OF MODIFICATION

No.	DATE	CONTENT OF MODIFICATION	REASON OF MODIFICATION	PAGE	ITEM	APPROVE
0	2018/8/16	INTIAL RELEASED				
1						
2						
3						
4						
5						
6						
7						
8						
9						
10						
11						
12						
13						
14						
15						
16						
17						
18						
19						
20						

QUARTZ CRYSTAL UNITS	No:	ECAB1808034
	Date:	2018/8/16

SPECIFICATION OF QUARTZ CRYSTAL UNITS

1.HOLDER TYPE HC-49S/SMD X'TAL 12.50×4.80×3.80

2.GENERAL

2-1 FREQUENCY (F0)	24.576000MHz
2-2 MODE OF OSCILLATION (Mn)	FUNDAMENTAL
2-3 OPERATION TEMPERATURE RANGE (T _o)	-20°C ~ +70°C
2-4 STORAGE TEMPERATURE RANGE (Ts)	-55°C ~ +125°C
2-5 TEST SET	S&A 250B ANALYSIS SYSTEM
2-6 DRIVE LEVEL (DL)	10μw TYP
2-7 LOADING CAPACITANCE (CL)	20pF

3.ELECTRICAL CHARACTERISTICS

(This test shall be performed under the condition of temperature at 25±3°C.)

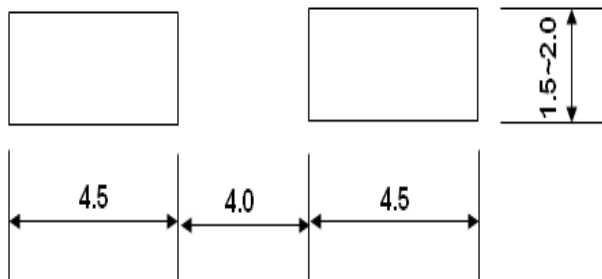
3-1 FREQUENCY TOLERANCE (Δf)	±10ppm Max
3-2 EQUIVALENT RESISTANCE (Rr)	25ΩMax/Series
3-3 TEMPERATURE DRIFT (Tc)	±30ppm (-20°C ~ +70°C)
TEMPERATURE DRIFT (Tc)	NA
TEMPERATURE DRIFT (Tc)	NA
3-4 SHUNT CAPACITANCE (C ₀)	<5.0pF
3-5 INSULATION RESISTANCE	500MΩmin/DC 100V±15V (Lead to lead ,case to lead)
3-6 AGING	±3ppm /Year
3-7 REFERENCE WEIGHT(g)	0.55g
3-8 SPURIOUS * SEARCH RANGE (f ₀ ± 500kHz)	3db or more

***Standard Atmospheric conditions.**

Ambient temperature	: 15 °C to 35 °C
Relative humidity	: 25 % to 85 %
Air pressure	: 860 hPa to 1060hPa

4.DIMENSIONS AND MARKING

4-1 HOLDER TYPE	HC-49S/SMD X'TAL 12.50×4.80×3.80
4-2 LAND DIMENSION(mm)	



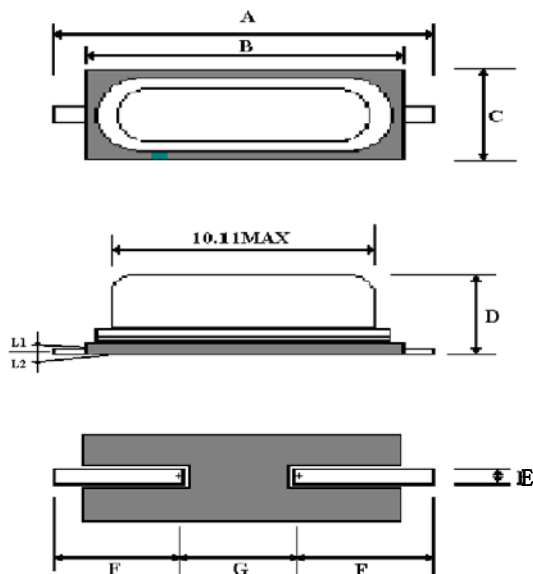
JinHua East Crystal Electronic Co.,Ltd.	DESIGN	INSPECTION
	劳宏景	潘春琴

QUARTZ CRYSTAL UNITS

No: ECAB1808034

Date: 2018/8/16

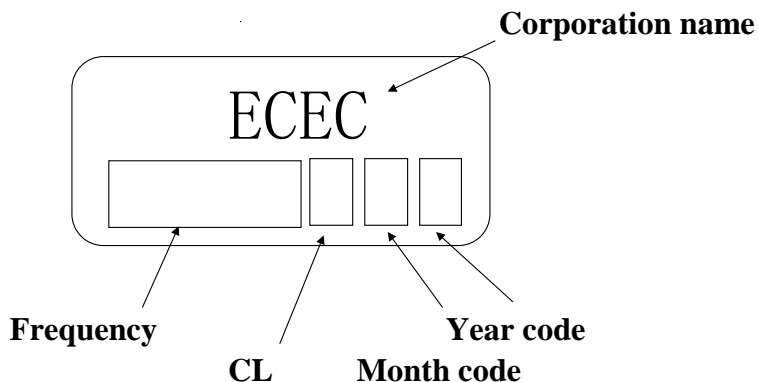
4-3 DIMENSION (mm)



Items	Size(mm)
A	12.5±0.4
B	11.4±0.3
C	4.8±0.1
D	3.8±0.3
E	0.75±0.3
F	4.5 MAX
G	4.88±0.2
L1	0.1 MAX
L2	0.1 MAX

4-4 MARKING

HC-49S/SMD



Frequency: as shown in the table

EX)

Frequency	4.000MHz	16.9344MHz	20.000MHz
Frequency Code	4.000	16.934	20.000

Month code: as shown in the table

EX) December shall be marked as "M"

Month	Jan.	Feb.	Mar.	Apr.	May.	Jun.	Jul.	Aug.	Sep.	Oct.	Nov.	Dec.
Symbol	A	B	C	D	E	F	G	H	J	K	L	M

Year code: as shown in the table

EX) 2010 shall be marked as "0"

Year	2010	2011	2012	2013	2014	2015	2016	2017	2018	2019	2020	-----
Symbol	0	1	2	3	4	5	6	7	8	9	0	-----

JinHua East Crystal Electronic Co.,Ltd.

DESIGN

INSPECTION

劳宏景

潘春琴

QUARTZ CRYSTAL UNITS

No:

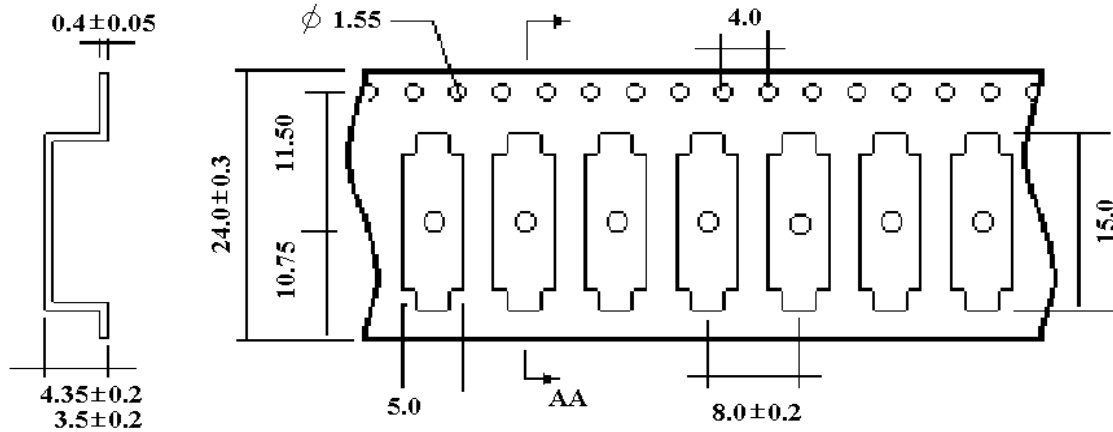
ECAB1808034

Date:

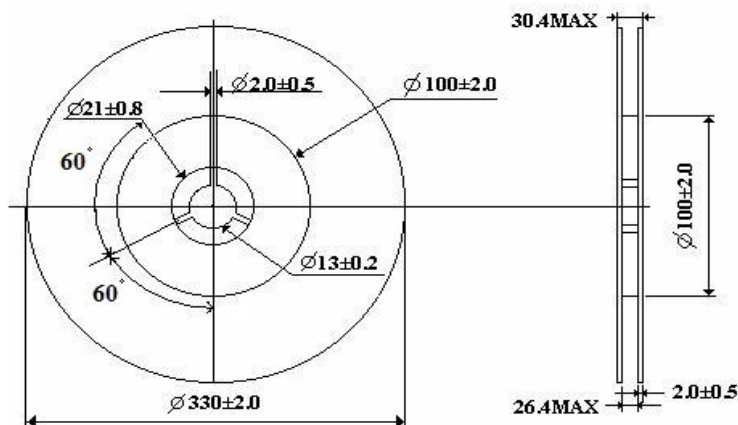
2018/8/16

4-5 PACKING

4-5-1 Dimensions of the tape

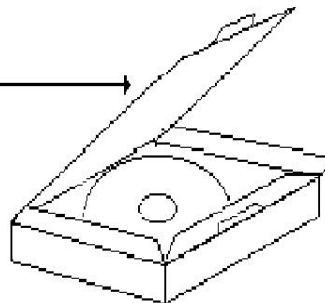


4-5-2 Dimensions of the reel



4-5-3 Packing and Label

CRYSTAL UNITS	
CUST P/N	
ECEC P/N	
P/O	
FREQUENCY	
QTY	
MARKING	
MADE IN CHINA	



1 Reel=1000pcs

Box type(Reel quantity)	Box size(L×W×H) mm
1Reel x 1000pcs	335*335*38
5Reel max	355*355*220

JinHua East Crystal Electronic Co.,Ltd.

DESIGN

INSPECTION

劳宏景

潘春琴

QUARTZ CRYSTAL UNITS

No:

ECAB1808034

Date:

2018/8/16

5.MECHANICAL ENDURANCE

Provided that measurement shall be carried out after letting it alone in the room temperature for 1 hour.

5-1.SHOCK

Electrical characteristics shall be satisfied after dropping three times from the height of 75cm onto the board of the 3cm thickness.

5-2.VIBRATION

Electrical characteristics shall be satisfied after supplying following vibration.

- | | |
|---------------------------|-----------------------|
| a).ENTIRE FREQUENCY RANGE | 10~55Hz |
| b).REPEATED PERIOD | 1~2min |
| c).AMPLITUDE | 1.5mm |
| d).DIRECTION | X.Y.Z |
| e).PERIOD | 2hours/Each Direction |

5-3.STRENGTH OF TERMINALS/LEAD-WIRES

①TENSILE

- Body of specimen shall be fixed,and 900g of tension weight shall be supplied gradually to axial direction of terminals/lead-wires for 30 sec.
- After above test a),there is no distinct damage or damage to sealing.

②BENDING

- Body of specimen shall be fixed,and 90 degree bending shall be given,being supplied 225g tension weight.After that,terminals/lead-wires shall be straightened gradually. Then the same bending and straightening shall be supplied to the opposite direction in the same axial.
- After above test a),there is no observation of any visual damages on the specimen.

5-4.SEALING TIGHTNESS

Put the specimens in C_2H_5OH ,raise pressure it with 0.5Mpa for 10 min, test the insulation resistance at DC.100V,the result shall be over 500M Ω .
Electrical characteristics shall be satisfied and no sealing damage.

**JinHua East Crystal Electronic
Co.,Ltd.**

DESIGN

劳宏景

INSPECTION

潘春琴

QUARTZ CRYSTAL UNITS

No:

ECAB1808034

Date:

2018/8/16

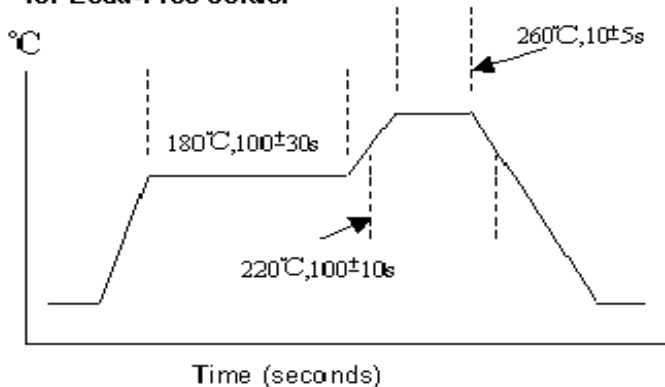
5-5.SOLDERING HEAT RESISTANCE

Electrical characteristics shall be satisfied .Without distinct looseness of terminals.

①.FLOW(WAVE)SOLDERING

Following profile of heat stress is applied to resonator,then being place in the natural condition for 1 hour,resonator shall be measured.

Recommendation of flow condition for Lead-Free solder



Peak temperature	260°C
Dipping time	10±5 sec
Soldering	1 time
Dipping to the lead joint of component	

②.SOLDERING DIP

Terminals/lead-wires of specimen shall be dipped into solder melter tank at +230°C±5°C for 3 sec.

Dipping depth shall be 2mm from the bottom of specimens body.(After applying ROSIN FLUX) soldering portion shall be covered in over 95% of Terminals/lead-wires dipped.

5-6.BEND STRENGTH PCB

①.Resonator is soldered into the ceater of PCB which is laid on the 2 small supporters spaced 90cm. PCB deflected to 1mm below from horizontal level by the pressing force with 20 x10.R10 stick.
The force is supplied for 1 second,5 times repeatedly.

②.After above test ①.there is no observation of any visual damages on specimen and the electical characteristic shall be satisfied.

JinHua East Crystal Electronic Co.,Ltd.

DESIGN

INSPECTION

劳宏景

潘春琴

QUARTZ CRYSTAL UNITS

No:

ECAB1808034

Date:

2018/8/16

5-7.ENVIRONMENTAL ENDURANCE

Provided that measurement shall be carried out after letting it alone in the room temperature for 1 hour.

①HUMIDITY

Electrical characteristics shall be satisfied after letting it alone at $65\pm 2^{\circ}\text{C}$ in humidity of 90~95% for 250 hours.

②.STORAGE IN LOW TEMPRATURE

Electrical characteristics shall be satisfied after letting it alone at $-45\pm 2^{\circ}\text{C}$ for 250 hours.

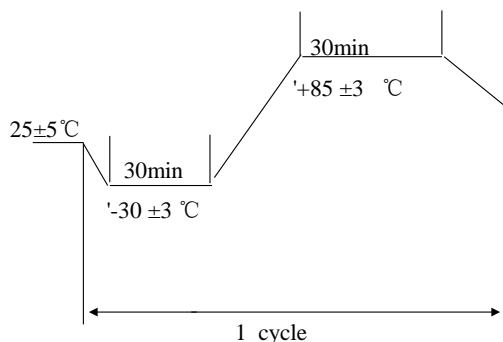
③.STORAGE IN HIGH TEMPRATURE

Electrical characteristics shall be satisfied after letting it alone at $85\pm 2^{\circ}\text{C}$ for 250 hours.

④.TEMPERATURE CYCLE

Electrical characteristics shall be satisfied after supplying the following temperature cycle(3cycle).Temperature shift from low to high, high to low shall be done in $1^{\circ}\text{C}/\text{sec}$.

(refer to Fig-3)



(Fig-3)

JinHua East Crystal Electronic Co.,Ltd.

DESIGN

INSPECTION

劳宏景

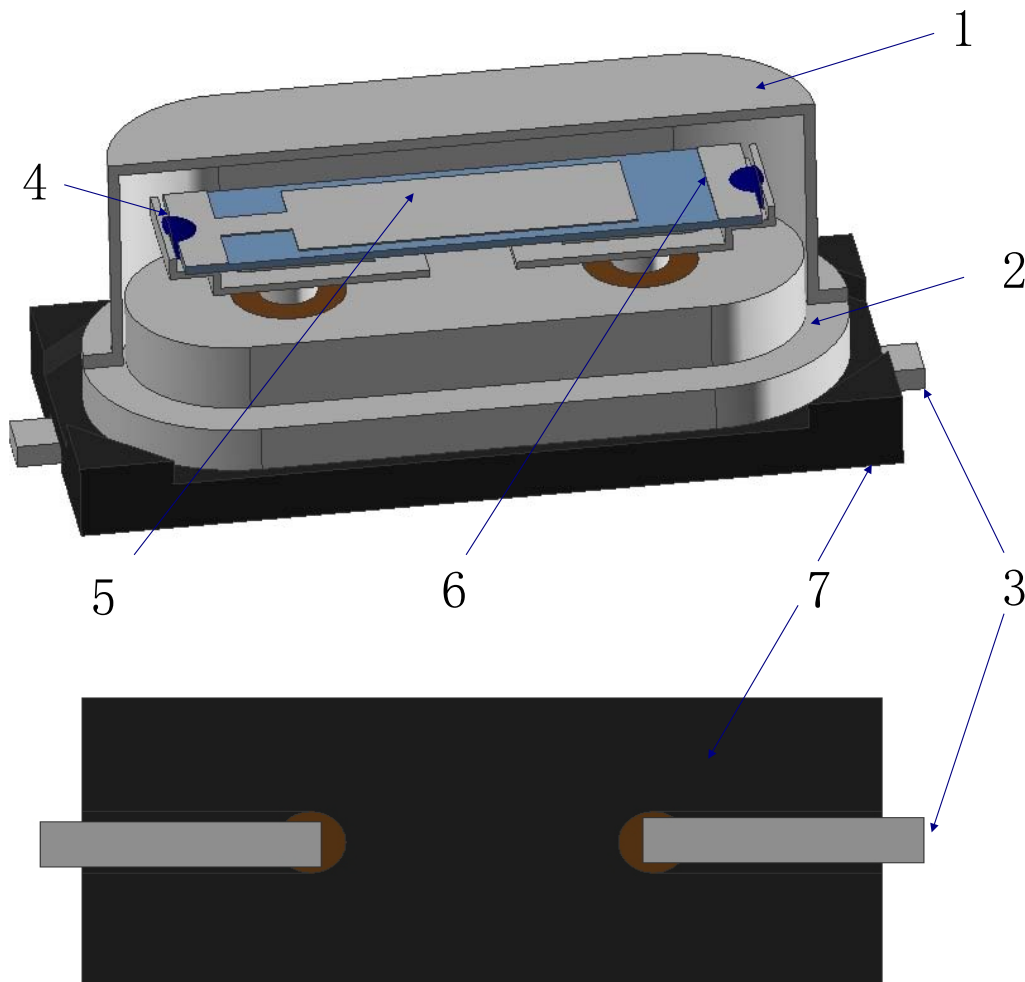
潘春琴

QUARTZ CRYSTAL UNITS

No: ECAB1808034

Date: 2018/8/16

6. Structure Illustration



(BOTTOM VIEW)

No.	Items	Materials
1	Metal Can(Cap)	Ni Alloy
2	Substrate(Base)	Fe Alloy
3	External Electrode	Kovar (Pb free)
4	Conductive Adhesive	Ag+Epoxy Resin
5	Internal Electrode	Ag
6	Element(Blank)	SiO ₂
7	Insulation spacer	PPA

JinHua East Crystal Electronic Co.,Ltd.

DESIGN

INSPECTION

劳宏景

潘春琴

X-ON Electronics

Largest Supplier of Electrical and Electronic Components

Click to view similar products for [Crystals](#) category:

Click to view products by [East Crystal](#) manufacturer:

Other Similar products are found below :

[CX3225GB25000M0PPSZ1](#) [718-13.2-1](#) [MC405 32.0000K-R3:PURE SN](#) [7A-40.000MAAE-T](#) [FL2000085](#) [99-BU](#) [9B-15.360MBBK-B](#) [9C-7.680MBBK-T](#) [H10S-12.000-18-EXT-TR](#) [ABC2-6.000MHZ-D4Z-T](#) [ABLS-20.000MHZ-D2-T](#) [ABS071-32.768KHZ-6-T](#) [R38-32.768-12.5-5PPM-NPB](#) [BTD1062E05A-513](#) [21U15A-21.4MHZ](#) [RTX-781DF1-S-20.950](#) [LFXTAL066198Cutt](#) [9C-14.31818MBBK-T](#) [A-11.000MHZ-27](#) [ABL-27.000MHZ-B4Y-T](#) [ABM11-132-24.000MHZ-T3](#) [ABM3B1-25.000MHZ-D2Y-T](#) [SPT2A-.032768B](#) [SPT2A.032768G](#) [SSPT7F-9PF20-R](#) [FX325BS-38.88EEM1201](#) [LFXTAL065253Cutt](#) [LFXTAL066431Cutt](#) [XT9S20ANA14M7456](#) [XT9SNLANA16M](#) [646G-24-2](#) [7A-24.576MBBK-T](#) [7B-30.000MBBK-T](#) [7A-14.31818MBBK-T](#) [6504-202-1501](#) [6526-202-1501](#) [ABLS-12.000MHZ-B2Y-T](#) [ABLS-10.000MHZ-D3W-T](#) [7A-10.000MBBK-T](#) [SG636PCE-20.000MC](#) [3404](#) [E1SAA18-25.000M TR](#) [CM315D32768EZFT](#) [C1E-24.000-7-2020-R](#) [C1E-19.200-12-1530-X-R](#) [C1E-16.000-12-1530-X-R](#) [FL5000014](#) [EUCA18-3.1872M](#) [FX0800015](#) [425F35E027M0000](#)