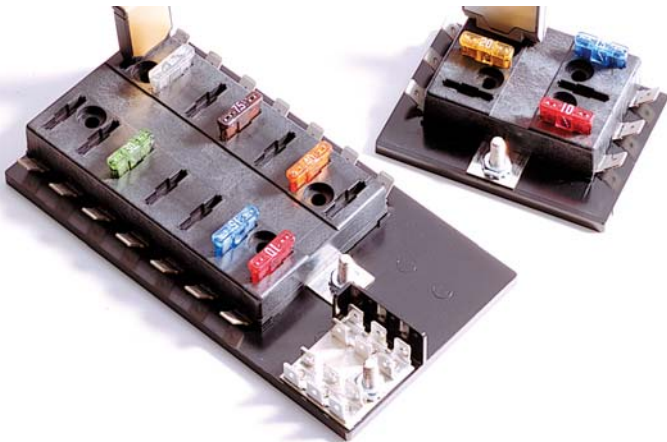


# Series 15600 ATC® Blade-Type Fuse Panels



## Specifications

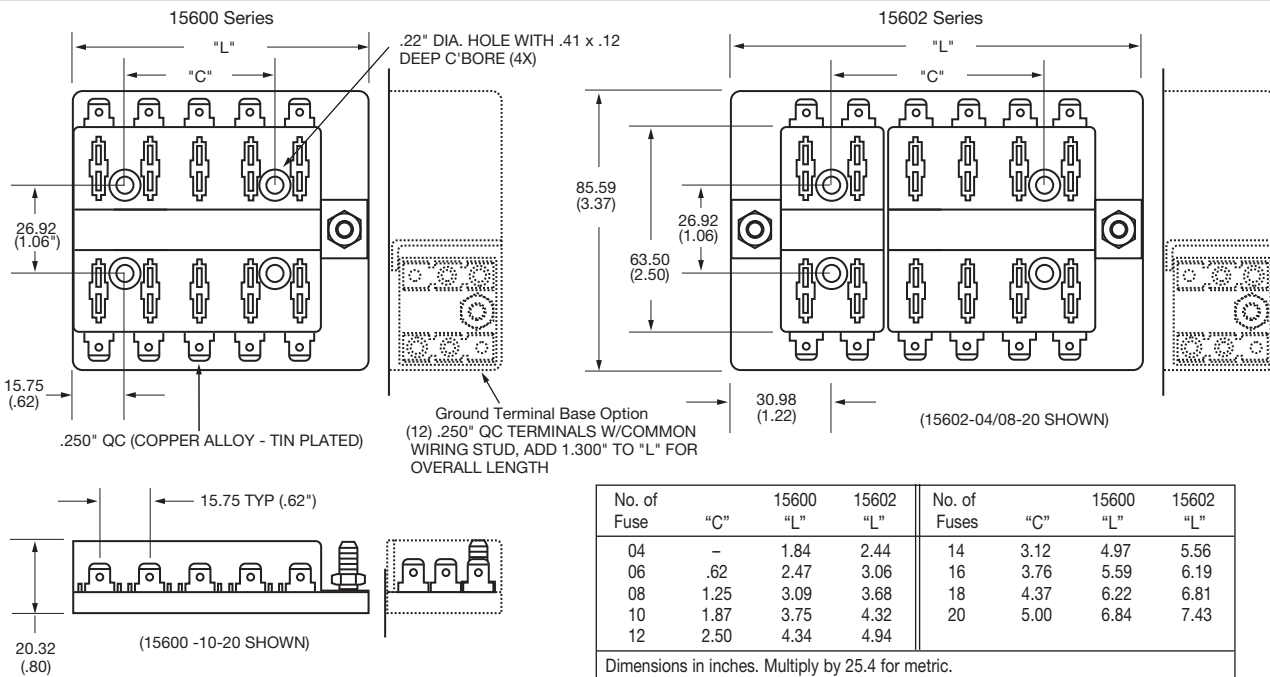
The 15600 ATC® fuse panel is a compact, yet rugged, power distribution module. It is available in a single or dual internal buss electrical configuration featuring an optional ground pad terminal strip. The 15600 fuse panel is surface mounted, uses convenient quick-connect terminals, and is recommended as a supplemental power distribution module. It can be used to accompany main PDMs such as the Cooper Bussmann 31000/32000 Series VEC/DVEC, 15710 Series RTA, and the 1540X Series RFRM.

**Input Terminal Rating:** #10-32 Threaded studs (100A max).  
**Output Terminal Rating:** 30A Max per circuit.  
**Temperature Rating:** -20°F (0°C) to 150°F (65°C).  
**Materials:** Black thermoplastic.  
**Termination:** .250" x .032" quick-connect terminals. Ground terminal pad option available. Input wire size: #4-6 AWG. Output wire size: #12-16 AWG.  
**Torque Rating:** 20 in-lbs (2.25N•m) max.  
**Mounting Torque Rating:** 8 in-lbs (0.9N•m) max.

## Options

**Positions:** 4-20 circuits available.  
**Split Power:** Single or dual buss options.

## Dimensions - mm(in)



## Part Numbering System

Series	No. of Fuses &/or Circuit Breaker Positions	Hardware Options	Ground Terminal Base
0	04-20	0	0
1560	Left Side Right Side 04-16 04-16 (max. combination of 20)	1	1
2		2	

0 - Single Stud, Single Supply Circuit  
 2 - Double Stud, Split Supply Circuits

0 - W/O nuts  
 1 - Nuts shipped bulk  
 2 - Nuts assembled

0 - None  
 1 - Include Ground Pad

## X-ON Electronics

Largest Supplier of Electrical and Electronic Components

*Click to view similar products for [Fuse Holder](#) category:*

*Click to view products by [Eaton](#) manufacturer:*

Other Similar products are found below :

[0031.1351.01](#) [6R30A1B](#) [6SC30A2IC](#) [F30A3S](#) [F600A3B](#) [80910030](#) [80910080](#) [9-3557-GP REV A](#) [HFH-1](#) [RF30A1S](#) [RF30A2B](#) [RF30A3SP](#)  
[15602-04-08-21](#) [HTJ-LES-FUSE](#) [RTMF-SC](#) [2602](#) [2650](#) [178.000100](#) [F60A2SQ](#) [T30A2B](#) [G4PB8](#) [2660](#) [HKP-CCHH](#) [R6F30A2S](#) [341001A](#)  
[345621A](#) [348670](#) [CVRMCC](#) [4202](#) [4408](#) [4423](#) [4532](#) [4537](#) [TSD1404-12](#) [HPC](#) [55900008011](#) [345602-010](#) [345603-010](#) [345612](#) [345903A](#)  
[3578](#) [3833-5](#) [3833-7](#) [3992](#) [4393](#) [4409](#) [4522](#) [4574](#) [02800031Z](#) [ESFH04/HTCC35M](#)