

# Series 187 Marine Rated Circuit Breaker (MRCB)



## Manual Reset Circuit Breakers With Switch Function

### Specifications

#### Single Pole Thermal Type Breakers

**Applications:** Typically used in DC power systems in marine applications (as a main or branch circuit breaker), truck and bus systems, RV systems, add-on protection for accessories, lift gates, etc. This unit is external ignition protected and weatherproof.

**Rating:** 25-200A, 48Vdc

**Interrupt Rating:** Main Breaker Protection Interrupt Rating (5,000A@ 14Vdc, 3,000A@ 28Vdc and 1,500A@ 48Vdc).

**Operating Temperature Rating:** -40°F (-40°C) to 185°F (85°C)

**Storage Temperature Rating:** -40°F (-40°C) to 260°F (125°C)

**Materials:** Black UL-rated 94V0 thermoset plastic body. Cover and lever are UL-rated 94V0 thermoplastic

**Marking:** Standard marking includes amp/volt ratings. Custom markings also available

**Termination:** 5/16-18 threaded studs

**Torque Rating:** 75 in-lbs (8.5N•m) max

**Mounting Torque Rating:** Panel or surface-mount options; 50 in-lbs (5.6 N•m) max

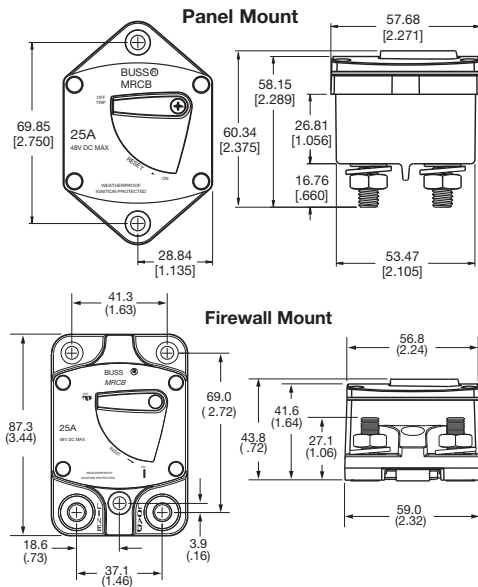
**Ingress Protection Rating:** IP66

**Features / Options:** A manual reset circuit breaker with On-Off switch capability

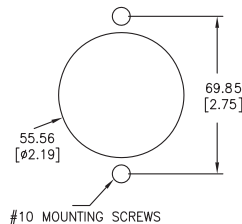
**Compliances:** ABYC E-11; CE; SAE J1171 (ignition protected)

Consult factory for time characteristic curves.

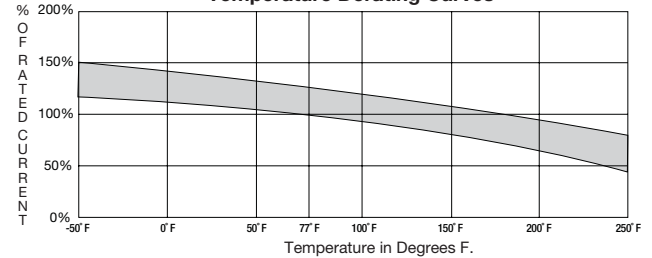
### Dimensions - mm(in) (Dims. shown are for reference only. Consult factory for latest prints)



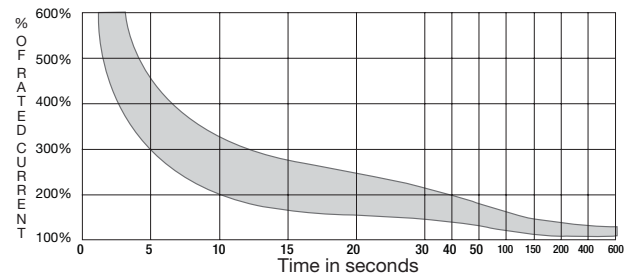
### Mounting Template



### Temperature Derating Curves



### Time vs Percent of Rated Current



### Part Numbering System

#### Series

187

187 - Manual Reset - Switching Style Circuit Breaker

#### Rating

025

025 - 25 amps  
030 - 30 amps  
035 - 35 amps  
040 - 40 amps  
050 - 50 amps  
060 - 60 amps  
070 - 70 amps  
080 - 80 amps  
100 - 100 amps  
110 - 110 amps  
120 - 120 amps  
135 - 135 amps  
150 - 150 amps  
200 - 200 amps

#### Mounting

F

F - Surface mount  
P - Panel mount

#### Hardware

00

00 - No hardware  
03 - Stainless nuts & lockwashers - installed on studs  
04 - Stainless nuts & lockwashers - supplied bulk packed

#### Marking

1

1 - Standard marking; Part Number, Amp Rating  
(Consult factory for special marking options.)

## X-ON Electronics

Largest Supplier of Electrical and Electronic Components

*Click to view similar products for [Circuit Breakers](#) category:*

*Click to view products by [Eaton](#) manufacturer:*

Other Similar products are found below :

[LUGZX66-1-61-20.0-44](#) [M39019/01-201S](#) [M39019/01-221](#) [M39019/01-323](#) [M39019/01-333](#) [M39019/01-336](#) [M39019/02-248](#) [M39019/02-311](#) [M39019/02-316](#) [M39019/04-249S](#) [M39019/05-246S](#) [M39019/06-254S](#) [M55629/1-016](#) [M55629/1-018](#) [M55629/1-021](#) [M55629/1-033](#) [M55629/1-036](#) [M55629/1-046](#) [M55629/1-048](#) [M55629/1-058](#) [M55629/1-067](#) [M55629/1-070](#) [M55629/1-079](#) [M55629/1-084](#) [M55629/1-085](#) [M55629/1-101](#) [M55629/1-109](#) [M55629/11-102](#) [M55629/1-120](#) [M55629/12-045](#) [M55629/12-046](#) [M55629/1-330](#) [M55629/1-366](#) [M55629/1-387](#) [M55629/1-401](#) [M55629/1-450](#) [M55629/2-022](#) [M55629/2-030](#) [M55629/2-072](#) [M55629/2-082](#) [M55629/2-099](#) [M55629/2-101](#) [M55629/2-102](#) [M55629/21-BM-BM](#) [M55629/21-HM-HM](#) [M55629/21-NS-NS](#) [M55629/22-NR-NR-NR](#) [M55629/22-RS-RS-RS](#) [M55629/2-347](#) [M55629/2-401](#)