

# Series 19X MAXI® Circuit Breakers

Circuit Protection  
19X MAXI® Circuit Breaker



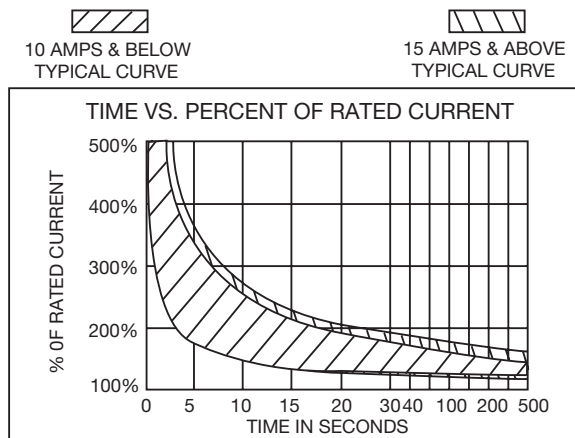
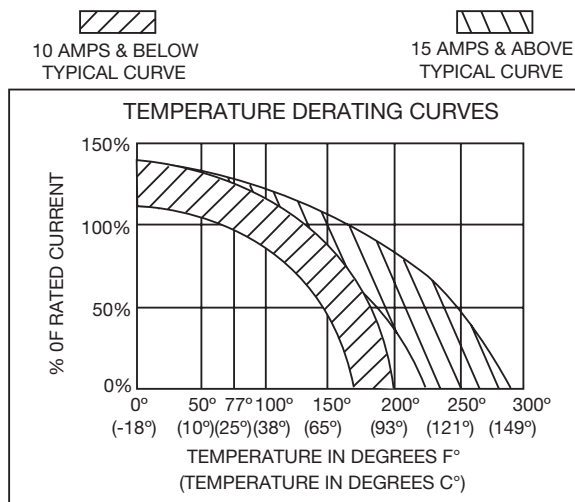
## Series 19X MAXI® Circuit Breakers

Auto, Manual & Modified Reset

### Specifications

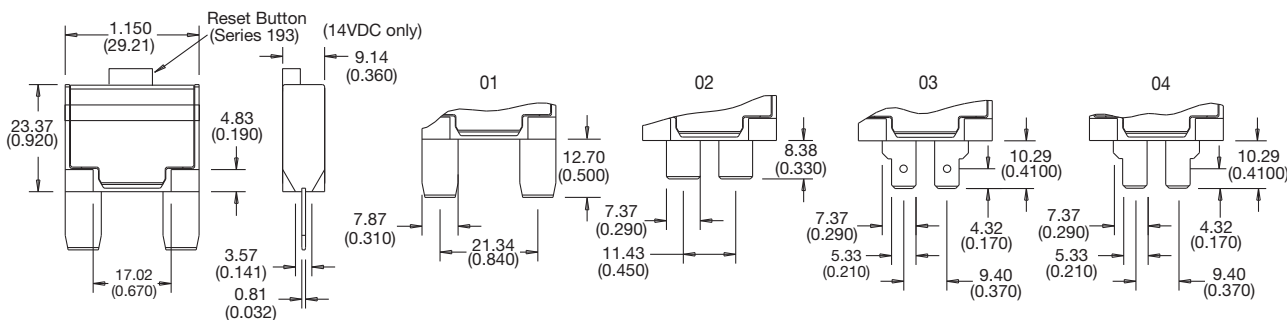
#### Single Pole Thermal Type Breakers

**Rating:** 8-50A; 14Vdc; 28Vdc (Series 193, 194, & 195)  
**Interrupt Rating:** 150A @ 14Vdc (8-10A versions); 225A @ 14Vdc (15A version); 300A @ 14Vdc (20A version); 450A @ 14Vdc (25-30A versions); 600A @ 4Vdc (35-40A versions); 750A @ 14Vdc (50A version)  
**Operating Temperature Rating:** -40°F (-40°C) to 185°F (85°C)  
**Storage Temperature Rating:** -40°F (-40°C) to 260°F (125°C)  
**Materials:** Grey UL-Rated 94V0 thermoplastic  
**Termination:** Compatible with fuse blocks accepting MAXI® or ATC® blade fuses  
**Compliances:** SAE J553, SAE J1171 (ignition protected)



### Dimensions - in(mm) (Dims. Shown are for reference only. Contact factory for latest prints)

### Terminal Options



### Part Numbering System

Series	Rating	Terminal	Cover	Marking
191	08	01	M	(Consult factory for special markings.)
192	10	02	M	
193	15	03	M	
194	20	04	M	
195	25		M	
	30		M	
	35		M	
	40		M	
	50		M	

## X-ON Electronics

Largest Supplier of Electrical and Electronic Components

*Click to view similar products for [Circuit Breakers](#) category:*

*Click to view products by [Eaton](#) manufacturer:*

Other Similar products are found below :

[LUGZX66-1-61-20.0-44](#) [M39019/01-221](#) [M39019/01-323](#) [M39019/01-336](#) [M39019/02-248](#) [M39019/02-311](#) [M39019/02-316](#) [M39019/04-249S](#) [M39019/05-246S](#) [M39019/06-254S](#) [M55629/1-016](#) [M55629/1-018](#) [M55629/1-021](#) [M55629/1-033](#) [M55629/1-036](#) [M55629/1-046](#) [M55629/1-048](#) [M55629/1-058](#) [M55629/1-067](#) [M55629/1-070](#) [M55629/1-079](#) [M55629/1-084](#) [M55629/1-085](#) [M55629/1-101](#) [M55629/1-109](#) [M55629/11-102](#) [M55629/1-120](#) [M55629/12-045](#) [M55629/12-046](#) [M55629/1-330](#) [M55629/1-366](#) [M55629/1-387](#) [M55629/1-401](#) [M55629/2-022](#) [M55629/2-030](#) [M55629/2-072](#) [M55629/2-082](#) [M55629/2-099](#) [M55629/2-101](#) [M55629/2-102](#) [M55629/21-BM-BM](#) [M55629/21-HM-HM](#) [M55629/21-NS-NS](#) [M55629/22-NR-NR-NR](#) [M55629/22-RS-RS-RS](#) [M55629/2-347](#) [M55629/2-401](#) [M55629/2-413](#) [M55629/3-030](#) [M55629/3-050](#)