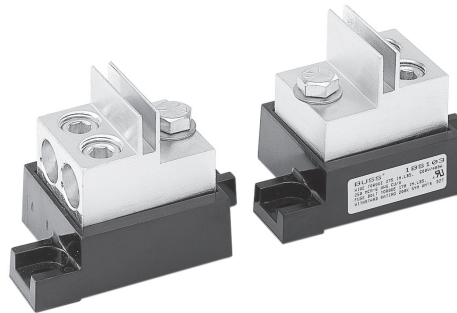


1BS103 modular fuse block, 600 V, 400 A

RoHS



Catalog number:

- 1BS103

Description:

Bussmann™ series modular fuse block for bolt-on high speed, and 300 V and 600 V Class T (225-400 A) and select CSA and BS88 fuses. See mounting dimensions table for applicable Bussmann series fuse catalog symbols.

Specifications:

Ratings

- Volts - 600 V
- Amps - 400 A
- Withstand rating - 200 kA RMS Sym. or the applied fuse interrupting rating, whichever is less

Agency information

- UL® Recognized, Guide IZLT2, File E14853
- CSA® Certified, Class 6225-01, File 47235
- CE
- RoHS compliant

Materials

- Base - molded black phenolic, 150°C
- Mounting bolts - zinc plated steel, 3/8-16 x 3/4"
- Washer - zinc plated steel 3/8" Belleville
- Connector: tin-plated aluminum

Conductors

- Connector accepts single 6 AWG - 250 kcmil copper or aluminum, solid or stranded wire

Torque

- Conductor setscrew - 31.1 N•m (275 Lb-in)
- Fuse mounting bolt - 13.6 N•m (120 Lb-in)



Powering Business Worldwide

Dimensions: — mm (in)

See Table 1 for A, B and C dimensions per fuse catalog symbol/ampacity.

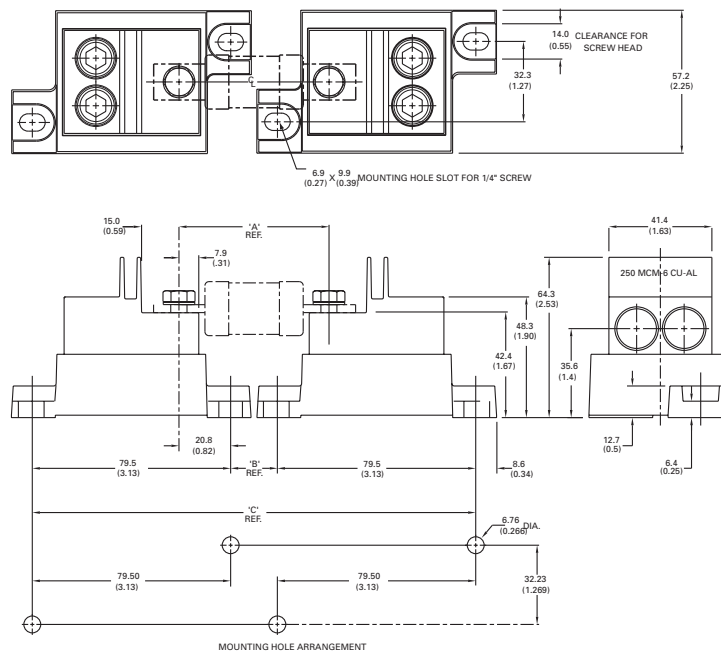


Table 1. Mounting dimensions — mm (in)

Bussmann series fuse catalog symbol	Amp range	A	B	C
FWH-_A	225-400	83.8 (3.30)	42.4 (1.67)	201.4 (7.93)
FWX-_A	225-400	67.6 (2.66)	26.2 (1.03)	185.2 (7.29)
KAC-_	110-200	109.2 (4.30)	67.8 (2.67)	226.8 (8.93)
KBC-_	225-400	103.1 (4.06)	61.7 (2.43)	220.7 (8.69)
_LMT	160-400	58.9 (2.32)	17.5 (0.69)	176.5 (6.95)
_P11C*	250-400	184.2 (7.25)	142.7 (5.62)	301.8 (11.88)
JJN-_	225-400	46.7 (1.84)	5.3 (0.21)	164.3 (6.47)
JJS-_	225-400	69.1 (2.72)	27.7 (1.09)	186.7 (7.35)
CGL_*	225-400	184.2 (7.25)	142.7 (5.62)	301.8 (11.88)

* When used in multiple pole configurations, 25.4 (1.0) should be maintained between adjacent moldings when mounting the fuses indicated.

The only controlled copy of this data sheet is the electronic read-only version located on the Eaton network drive. All other copies of this document are by definition uncontrolled. This bulletin is intended to clearly present comprehensive product data and provide technical information that will help the end user with design applications. Eaton reserves the right, without notice, to change design or construction of any products and to discontinue or limit distribution of any products. Eaton also reserves the right to change or update, without notice, any technical information contained in this bulletin. Once a product has been selected, it should be tested by the user in all possible applications.

Eaton
1000 Eaton Boulevard
Cleveland, OH 44122
Eaton.com

Bussmann Division
114 Old State Road
Ellisville, MO 63021
United States
Eaton.com/bussmannseries

© 2016 Eaton
All Rights Reserved
Printed in USA
Publication No. 1208 — SB98107
December 2016

Eaton and Bussmann are valuable trademarks of Eaton in the U.S. and other countries. You are not permitted to use the Eaton trademarks without prior written consent of Eaton.

CSA is a registered trademark of the Canadian Standards Group.
UL is a registered trademark of the Underwriters Laboratories, Inc.

For Eaton's Bussmann series product information, call **1-855-287-7626** or visit: **Eaton.com/bussmannseries**

Follow us on social media to get the latest product and support information.



X-ON Electronics

Largest Supplier of Electrical and Electronic Components

Click to view similar products for [Fuse Holder](#) category:

Click to view products by [Eaton](#) manufacturer:

Other Similar products are found below :

[570-290-741P40](#) [570-290-751P40](#) [0031.1351.01](#) [020417G](#) [020418E](#) [80910030](#) [8601.2020](#) [9-3557-GP REV A](#) [15600-08-10](#) [BK1-HTC-45M](#)
[BK/FHN19G](#) [BK/HJM-HH](#) [BK/HKP-CCHH](#) [BK/HKP-E-CC](#) [BK/HKP-E-HH](#) [BK/HKP-EH-HH](#) [BK/HKP-U-HH](#) [BK/HTJ-LES-FUSE](#)
[HMG-241](#) [2086-1](#) [2193](#) [RTMF-SC](#) [2602](#) [2650](#) [FHN31G1](#) [G4PB8](#) [2660](#) [2799](#) [CQ-209V](#) [345621A](#) [3794](#) [4202](#) [4408](#) [4413](#) [4423](#) [4482](#)
[4532](#) [4537](#) [TSD1404-12](#) [BK/FHN31G1](#) [BK/HKP-H-CC](#) [BK/HKP-JQ-BB](#) [BK/HKP-JQW-BB](#) [BK/HKP-N-HH](#) [BK/HKP-S-CC](#) [BK/HKP-W-](#)
[BBHH](#) [BP/HHS](#) [BPHHU](#) [55900008011](#) [C1933](#)