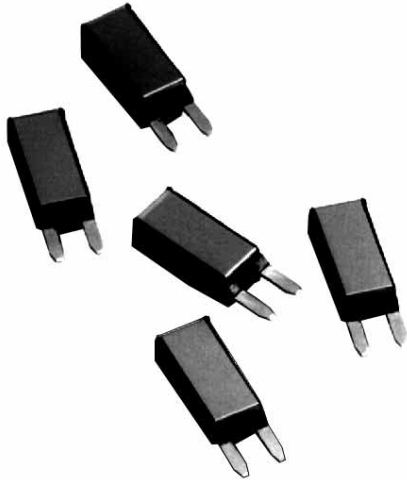


# MINI Circuit Breakers

# Series 210

## Automotive & Modified Reset Circuit Breakers



### Series 210 Mini

Auto & Modified Reset Circuit Protectors

### SPECIFICATIONS

#### Single Pole Thermal Type Breakers

**Ratings:** 10A, 15A, 20A, 25A; Voltage of 14VDC.

**Operating Temperature:** -40°F (-40°C) to 185°F (85°C).

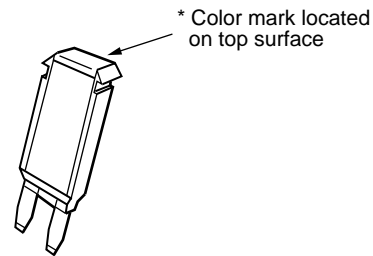
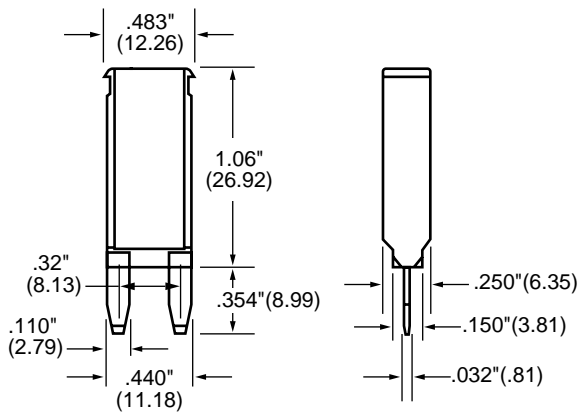
**Storage Temperature:** -40°F (-40°C) to 260°F (125°C).

**Cover:** Gray plastic housing with standard gold cover (Type I) or silver cover (Type II).

**Marking:** Standard marking includes amp/volt ratings, part number, and date code.

**Termination Type:** Compatible with 280 Type fuse blocks using 8.1mm centerline.

**Approvals:** Complies with SAE standard J553 Type I and Type II Circuit Breakers.



### PART NUMBERING SYSTEM

#### Series



211 – Type I, 14VDC  
212 – Type II, 14VDC

#### Rating\*



10 – 10 amps (Red)  
15 – 15 amps (Blue)  
20 – 20 amps (Yellow)  
25 – 25 amps (White)

#### Marking



00 – Std. Marking  
(Consult Factory for Special Options)

#### Special Options



(Consult Factory for Special Options)

## X-ON Electronics

Largest Supplier of Electrical and Electronic Components

*Click to view similar products for [Circuit Breakers](#) category:*

*Click to view products by [Eaton](#) manufacturer:*

Other Similar products are found below :

[LUGZX66-1-61-20.0-44](#) [M39019/01-221](#) [M39019/01-323](#) [M39019/01-336](#) [M39019/02-248](#) [M39019/02-311](#) [M39019/02-316](#) [M39019/04-249S](#) [M39019/05-246S](#) [M39019/06-254S](#) [M55629/1-016](#) [M55629/1-018](#) [M55629/1-021](#) [M55629/1-033](#) [M55629/1-036](#) [M55629/1-046](#) [M55629/1-048](#) [M55629/1-058](#) [M55629/1-067](#) [M55629/1-070](#) [M55629/1-079](#) [M55629/1-084](#) [M55629/1-085](#) [M55629/1-101](#) [M55629/1-109](#) [M55629/11-102](#) [M55629/1-120](#) [M55629/12-045](#) [M55629/12-046](#) [M55629/1-330](#) [M55629/1-366](#) [M55629/1-387](#) [M55629/1-401](#) [M55629/2-022](#) [M55629/2-030](#) [M55629/2-072](#) [M55629/2-082](#) [M55629/2-099](#) [M55629/2-101](#) [M55629/2-102](#) [M55629/21-BM-BM](#) [M55629/21-HM-HM](#) [M55629/21-NS-NS](#) [M55629/22-NR-NR-NR](#) [M55629/22-RS-RS-RS](#) [M55629/2-347](#) [M55629/2-401](#) [M55629/2-413](#) [M55629/3-030](#) [M55629/3-050](#)