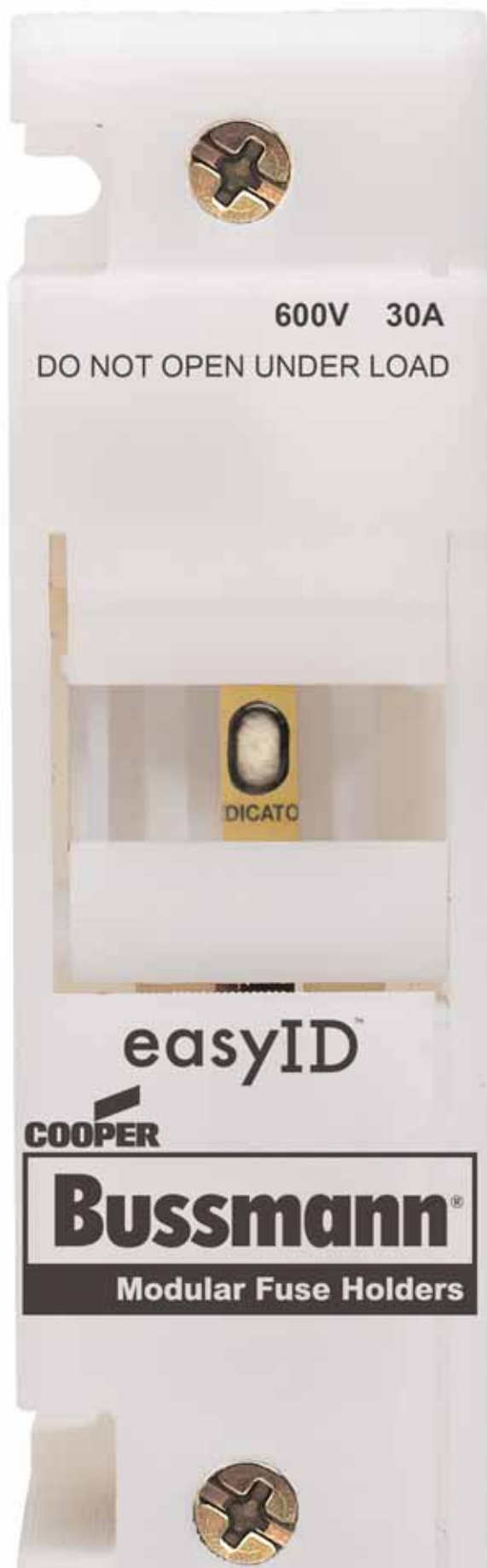


# Fuse Holders and Blocks



| Section Contents  | Page           |
|---|----------------|
| OPM-1038 3-pole fuse holders with disconnect switch . . . . .                             | 250            |
| OPM-1038 3-pole fuse holders . . . . .  | 251            |
| OPMNGA- 3-pole Class CC and 1 1/2" X 1 1/2" fuse overcurrent protection modules . . . . . | 252-253        |
| CH Series Class J modular fuse holders . . . . .  | 254            |
| JT(N)60030 & JT(N)600600 Safety J™ Class J fuse holders . . . . .                         | 255-256        |
| <b>CH Series Global Modular fuse holders . . . . .</b>                                    | <b>257-258</b> |
| SAMI™ fuse covers . . . . .   | 259            |
| H250 & R250 Series 250V Class H (K) and R fuse blocks . . . . .                           | 260-262        |
| H600 & R600 600V Class H (K) and R fuse blocks . . . . .                                  | 263-265        |
| J600 Series Class J fuse blocks . . . . .   | 266-267        |
| JP Series Class J fuse blocks . . . . .   | 268            |
| JA60030 add-a-pole Class J fuse blocks . . . . .  | 268            |
| T300 300V Class T fuse blocks . . . . .   | 269-270        |
| T600 600V Class T fuse blocks . . . . .   | 271-272        |
| BCA Series Class CC add-a-pole modular fuse blocks . . . . .                              | 273            |
| BMA Series 1 1/2" X 1 1/2" fuse add-a-pole modular fuse blocks . . . . .                  | 273            |
| BC Series Class CC fuse blocks . . . . .  | 274            |
| BM Series Type M 1 1/2" X 1 1/2" fuse blocks . . . . .                                    | 274            |
| BG & G Series Class G fuse blocks . . . . .   | 274            |
| BH Series high speed fuse modular fuse blocks . . . . .                                   | 275            |
| Class H & J modular fuse blocks . . . . .   | 275            |
| Plug fuse box cover units . . . . .   | 276            |
| HFB & HEB-10 in-line fuse holders for 1/4" X 1 1/4" fuses . . . . .                       | 277, 279       |
| HHB & HRK universal in-line fuse holders for 1/4" dia. fuses . . . . .                    | 277            |
| HR & HM Series in-line fuse holders for 1/4" dia. fuses . . . . .                         | 278            |
| HFA Series waterproof in-line fuse holders for 1/4" X 1 1/4" fuses . . . . .              | 278            |
| HHT Series in-line fuse holders for 5 X 15 to 20mm fuses . . . . .                        | 278            |
| Tron® in-line fuse holders . . . . .  | 279-280        |
| Panel mounted fuse holders for 5 X 20mm fuses . . . . .                                   | 281            |
| Panel mounted fuse holders for 1/4" X 1 1/4" fuses . . . . .                              | 282            |
| Panel mounted fuse holders for 5 X 20mm and 1/4" X 1 1/4" fuses . . . . .                 | 283-284        |
| Panel mounted fuse holders for indicating type fuses . . . . .                            | 285            |
| Panel mounted fuse holders for 1 1/2" X 1 1/16" to 1 1/2" fuses . . . . .                 | 286            |
| Panel mounted fuse holders for 1 1/2" X 1 1/2" fuses . . . . .                            | 287            |
| Fuse blocks for 1/4" X 1 1/4" fuses . . . . .   | 288            |
| Fuse blocks for 1/4" X 1" fuses . . . . .   | 289            |
| Fuse blocks for 1 1/2" X 1 1/2" fuses . . . . .   | 290            |
| Rail mount fuse holders . . . . .   | 291            |

Fuse Holders & Blocks

RED indicates NEW information

## Optima® Fuse Holder Module and Disconnect Switch

### OPM-1038 With Disconnect Switch



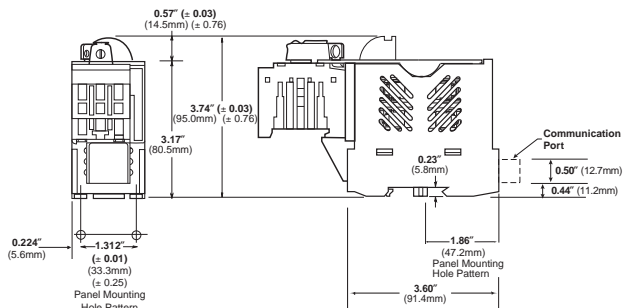
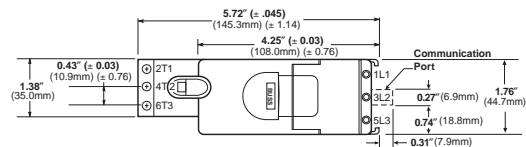
#### Features/Benefits

- Padlockable with finger-safe terminals for safety. Qualified as IP20 per IEC 60529.
- Cam-action handle for easy module removal, offered with Class CC rejection clips or European 10 x 38mm clips to meet global needs
- Wire ready with 35mm DIN rail or screw panel mounting (#8 screw, 1 1/4" long) saves installation time
- Fuse indication lights with option for remote fuse status available. See Data Sheet for additional wiring details.

#### Typical Applications

- Industrial Control
- Process Control Systems
- Automated Warehouse Systems
- Individual Control Circuits

#### Dimensions



#### Catalog Number Build-A-Code

| Series          | Fuse Type  | Communication             |
|-----------------|--|---------------------------|
| O P M - 1 0 3 8 | Blank = 10 x 38mm or 1/2" x 1-1/2"<br>R = Class CC | C = Communication Feature |

#### Specifications

**Description:** 3-pole load break modular fuse holder and disconnect switch for 1/2 x 1 1/2" (10 x 38mm) fuses.

**Dimensions:** See Dimensions illustration.

**Poles:** 3

**Agency Information:** CE, UL (see table), CSA Certified, C22.2 No. 39, Class 6225-01, File 47235, IEC (see table).

**Flammability Rating:** UL 94V0.

#### Horsepower Rating of Switch

| 3-Phase | Volts | 240 | 480 | 600 |
|---------|-------|-----|-----|-----|
|         | HP    | 5   | 10  | 15  |

#### Recommended Fuse Types

| Class CC | Midget (Non-Rejection) | European |
|----------|------------------------|----------|
| LP-CC    | KTK                    | C10M     |
| KTK-R    | FNM                    | C10G     |
| FNQ-R    | FNQ                    |          |

#### Physical Characteristics

- Small size matches 45mm IEC starter width
- Accepts #8-18 AWG stranded, #10-18 AWG solid wire
- 3-pole
- Handle and shaft required for through the door operation

#### Catalog Numbers

| Catalog Numbers | Electrical Rating                     | SCCR** Rating | Clips                                   | Remote Open Fuse Indication | UL Information Std.  | File    | Guide | IEC         | CE  |
|-----------------|---------------------------------------|---------------|---|-----------------------------|----------------------|---------|-------|-------------|-----|
| OPM-1038SW      | 30A, 600Vac UL/CSA<br>32A, 660Vac IEC | *             | Non-rejection, 10x38mm or 1/2" x 1 1/2" | No                          | Recognized<br>UL 508 | E161278 | NLRV2 | IEC 60947-3 | Yes |
| OPM-1038RSW     | 30A, 600Vac UL/CSA                    | 100kA         | Rejection, Class CC                     | No                          | Listed<br>UL 508     | E161278 | NLRV  |             | Yes |
| OPM-1038SWC     | 30A, 600Vac UL/CSA<br>32A, 660Vac IEC | *             | Non-rejection, 10x38mm or 1/2" x 1 1/2" | Yes                         | Recognized<br>UL 508 | E161278 | NLRV2 | IEC 60947-3 | No  |
| OPM-1038RSWC    | 30A, 600Vac UL/CSA                    | 100kA         | Rejection, Class CC                     | Yes                         | Listed<br>UL 508     | E161278 | NLRV  |             | No  |

\*Rating varies depending on fuse used in module; 100kA maximum

\*\*Short-Circuit Current Rating

Data Sheet: 1103

## Optima® Fuse Holder Module

OPM-1038



### Features/Benefits

- Padlockable with finger-safe terminals for safety. Qualified as IP20 per IEC 529.
- Cam-action handle for easy module removal.
- Offered with Class CC rejection clips or European 10 x 38mm clips to meet global needs
- Wire ready with 35mm DIN rail or screw panel mounting (#8 screw, 1 1/4" long) saves installation time
- Fuse indication lights with option for remote fuse status indication. See Data Sheet for additional wiring details.

### Catalog Number Build-A-Code

| Series   | Fuse Type  | Communication   |
|--|--|---|
| <div style="display: flex; justify-content: space-around; border: 1px solid black; padding: 2px;"> <span>O</span><span>P</span><span>M</span><span>-</span><span>1</span><span>0</span><span>3</span><span>8</span> </div> | <div style="border: 1px solid black; width: 20px; height: 20px; margin: 2px;"></div> <p>Blank = 10 x 38mm or 13/32" x 1 1/2"</p> <p>R = Class CC</p> | <div style="border: 1px solid black; width: 20px; height: 20px; margin: 2px;"></div> <p>C = Communication Feature</p> |

### Specifications

**Description:** 3-pole modular fuse holder for 13/32" x 1 1/2" (10 x 38mm) fuses.

**Dimensions:** See Dimensions illustration.

**Poles:** 3

**Agency Information:** CE, UL (see table), CSA Certified, C22.2 No. 4248, Class 6225-01, File 47235, IEC (see table).

**Flammability Rating:** UL 94V0.

### Recommended Fuse Types

| Class CC | Midget (Non-Rejection) | European |
|----------|------------------------|----------|
| LP-CC    | KTK                    | C10M     |
| KTK-R    | FNM                    | C10G     |
| FNQ-R    | FNQ                    |          |

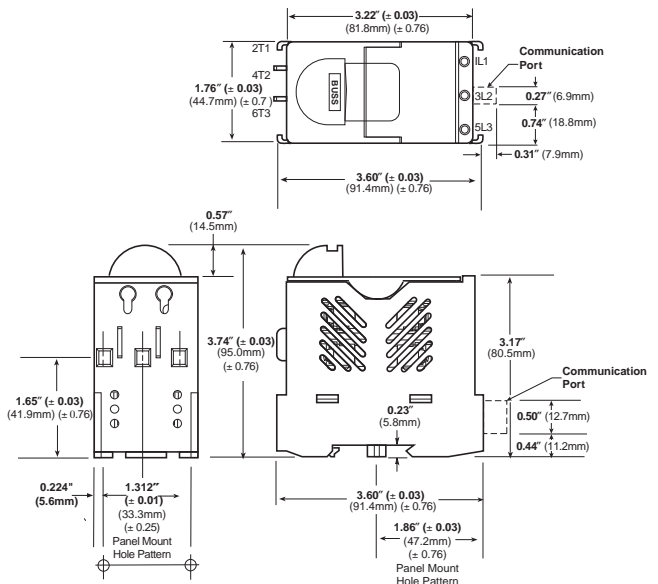
### Physical Characteristics

- Small size matches 45mm IEC starter width
- Accepts #8-18 AWG stranded, #10-18 AWG solid wire
- 3-pole

### Typical Applications

- Industrial Control
- Process Control Systems
- Automated Warehouse Systems
- Individual Control Circuits

### Dimensions



Fuse Holders & Blocks

### Catalog Numbers

| Catalog Numbers | Electrical Rating   | SCCR** Rating | Clips                                       | Remote Open Fuse Indication | UL Information Std. | File   | Guide | IEC           | CE  |
|-----------------|---|---------------|---|-----------------------------|---------------------|--------|-------|---------------|-----|
| OPM-1038        | 30A, 600Vac/dc UL/CSA (Max 3 Watts per fuse)<br>32A, 660V IEC | *             | Non-rejection, 10 x 38mm or 13/32" x 1 1/2" | No                          | Recognized UL 4248  | E14853 | IZLT2 | IEC 60269-2-1 | Yes |
| OPM-1038R       | 30A, 600Vac/dc UL/CSA   | 200kA         | Rejection, Class CC                         | No                          | Listed UL 4248      | E14853 | IZLT  |               | Yes |
| OPM-1038C       | 30A, 600Vac/dc UL/CSA (Max 3 Watts per fuse)<br>32A, 660V IEC | *             | Non-rejection, 10 x 38mm or 13/32" x 1 1/2" | Yes                         | Recognized UL 4248  | E14853 | IZLT2 | IEC 60269-2-1 | No  |
| OPM-1038RC      | 30A, 600Vac/dc UL/CSA   | 200kA         | Rejection, Class CC                         | Yes                         | Listed UL 4248      | E14853 | IZLT  |               | No  |

\*Rating varies depending on fuse used in module; 200kA maximum.

\*\*Short-Circuit Current Rating

Data Sheet: 1102

## Optima® Three-pole Overcurrent Protection Module

### OPM-NG-



#### Specifications

##### Description:

**OPM-NG-SC3:** 3-pole Class CC fuse holder for use with Class CC fuses (Cooper Bussmann Types LP-CC, FNQ-R, KTK-R).

**OPM-NG-SM3:** 3-pole fuse holder for use with 1/2" x 1 1/2" and 10.3 x 38mm fuses (Cooper Bussmann Types: 1/2" x 1 1/2"; KTK, FNQ, KLM, 10 x 38mm; FWA, FWC, C10G\_ , C10M\_ ).

##### Ratings:

- Volts: — OPM-NG-SC3: 600Vac (or less)  
 — OPM-NG-SM3: 600Vac (or less) UL and CSA 30A  
 — OPM-NG-SM3: 690Vac (or less) IEC 32A

Amps: — OPM-NG-SC3: 0-30A

— OPM-NG-SM3: 0-30A

SCCR: — OPM-NG-SC3: 200kA

— OPM-NG-SM3: Same as fuse IR, 200kA maximum

**Agency Information:** CE, UL; OPM-NG-SC3 UL Listed, UL 4248, File E14853, Guide IZLT. OPM-NG-SM3, UL Recognized, UL 4248, File E14853, Guide IZLT2. CSA Certified, C22.2 No. 4248, Class 6225-01, File 47235. IEC 60947-3 Utilization Category AC20B.

**Handling & Storage Temperature:** -10° to 65°C.

##### Features/Benefits

- 45mm width matches IEC starters
- 35mm DIN rail or panel mounting feature. Maximum screw size #8 (M4)
- Pressure plate terminations with dual-wire rated terminals (see Wire Table) and optional auxiliary contacts
- Integrated collapsible handle and fuse carrier cannot be removed from holder base
- Padlockable and IP20 finger-safe to IEC60529

##### Typical Applications

- Mass Produced Control Systems
- Process Control Systems
- Automated Warehouse Systems
- Individual Control Circuits

#### Fuse Holder Wire Range:

- 75°Cu Only
- #18-12 Single/Dual, torque 15lb-in
- #10-8 Single/Dual, torque 20lb-in
- Dual wire with same gauge and type

|          |  | 75° Cu Only |                    | C                                      |
|----------|--|-------------|--------------------|--|
|          |  | AWG         | [mm <sup>2</sup> ] |  |
| Solid    |  | #18-8 x 1   | 1-6 x 1            | 18-12 Single/Dual<br>15lb-in (1.7 N·m) |
|          |  | #18-8 x 2   | 1-6 x 2            |  |
| Stranded |  | #18-8 x 1   | 1-6 x 1            | 10-8 Single/Dual                       |
|          |  | #18-8 x 2   | 1-6 x 2            |  |
| Ferrules |  |             | 1-4 x 1            | 20lb-in (2.5 N·m)                      |
|          |  |             | 1-4 x 2            |  |

#### Input Power Terminal Wire Range:

| Wiring             | Conductor   | Wire Range   |
|--------------------|-------------|--|
| Solid              | Conductor   | (1) #14 to #2 (1.5 to 25mm <sup>2</sup> ) or conductor |
|                    | Stranded    | (2) #14 to #6 (1.5 to 10mm <sup>2</sup> ) conductors   |
| Stranded           | Conductor   | (1) #14 to #2 (1.5 to 25mm <sup>2</sup> ) conductor or |
|                    | Conductor   | (2) #12 to #6 (2.5 to 10mm <sup>2</sup> ) conductors   |
| Tightening Torque: | Connector   | 20lb-in (2.2 N·m)                                      |
|                    | Screw Clamp | 15lb-in (1.7 N·m)                                      |

#### Materials:

- **Housing:** Thermoplastic - ULV2
- **Clip:** Tin-plated copper alloy
- **Contact lubricant:** Fluoroether grease
- **Saddle screw:** Plated steel
- **DIN rail springs:** Stainless steel

#### Optional Accessories:

##### Comb Bar (Max current rating = 63A)

|            |                                     |
|------------|-------------------------------------|
| OPMNGSA245 | 2 circuit, 45mm between same phases |
| OPMNGSA254 | 2 circuit, 54mm between same phases |
| OPMNGSA272 | 2 circuit, 72mm between same phases |
| OPMNGSA345 | 3 circuit, 45mm between same phases |
| OPMNGSA354 | 3 circuit, 54mm between same phases |
| OPMNGSA445 | 4 circuit, 45mm between same phases |
| OPMNGSA454 | 4 circuit, 54mm between same phases |
| OPMNGSA472 | 4 circuit, 72mm between same phases |
| OPMNGSA554 | 5 circuit, 54mm between same phases |

##### Input Terminal Block (Max current rating = 63A)

|            |   |
|------------|---|
| OPMNGSA005 | Input/Feed Through Power Terminal, Supports feed through to another system, DIN rail mount only |
| OPMNGSA009 | Input Power Terminal  |

##### Cover

|            |   |
|------------|---|
| OPMNGSA010 | Protective Cover for unused terminals on comb bar |
|------------|---|

##### Auxiliary Contacts

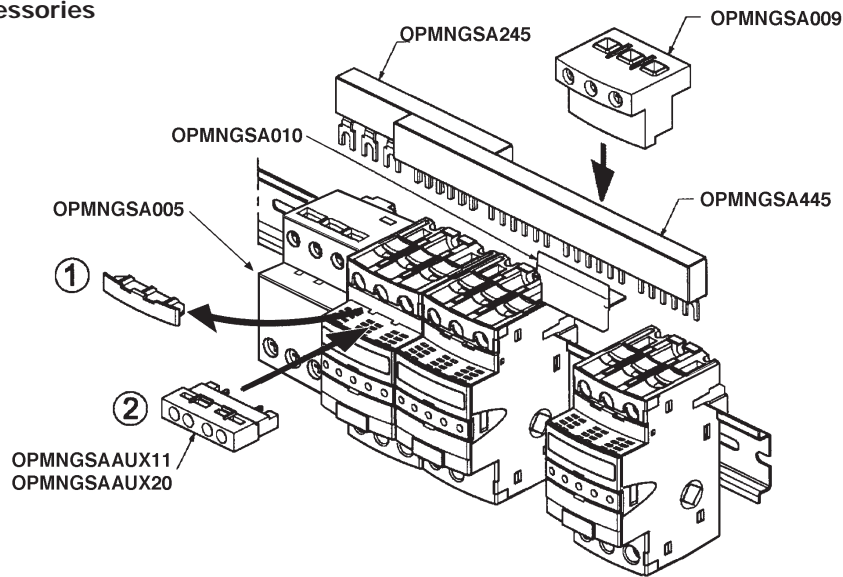
|              |       |
|--------------|-------|
| OPMNGSAAUX11 | NO/NC |
| OPMNGSAAUX20 | NO/NO |

##### Marking Tabs

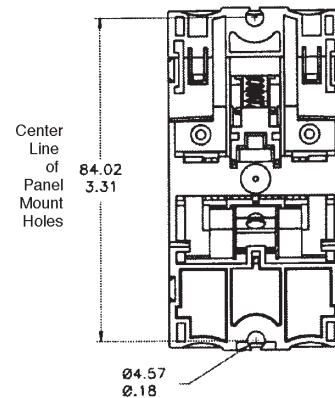
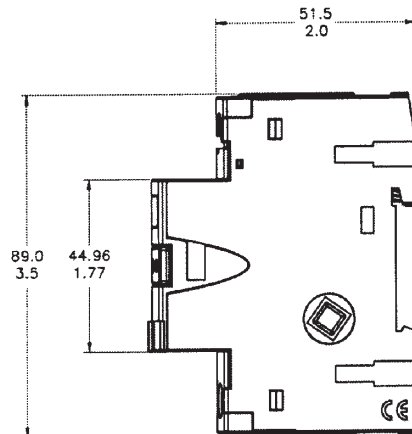
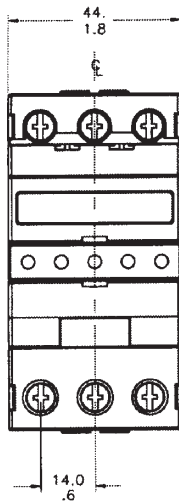
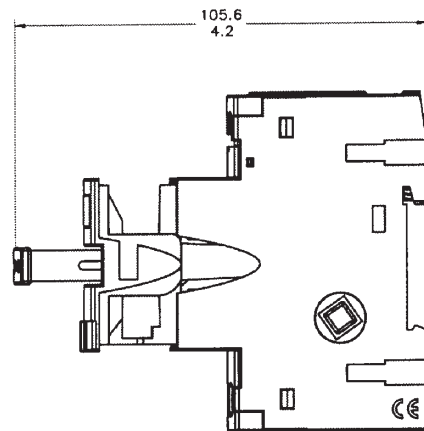
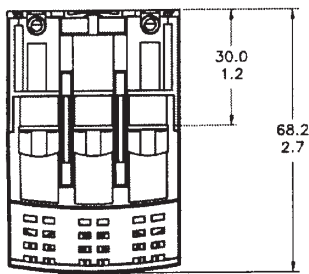
|            |  |
|------------|--|
| OPMNGSA101 | Marking Tab - Mounts to front of carrier, quantity 100 |
|------------|--|

## Optima® Three-pole Overcurrent Protection Module

### Optional Accessories



### Dimensions Millimeters ( $\pm 0.38$ ), Inches ( $\pm .015$ )



Fuse Holders & Blocks

## Class J Modular Fuse Holders

CH \_ \_ J \_

### Specifications

**Description:** IP20 finger-safe, 1- to 3-pole Class J fuse holder with DIN rail or panel mounting.

### Ratings:

Volts: — 600Vac/dc (or less)

Amps: — 30A (30A version)

— 60A (60A version)

Withstand Rating SCCR: — 200kA

**Wire Range:** Cu solid and stranded conductors with single (1-18AWG) and dual (3-18AWG) wire ratings. See Catalog Numbers table for details.

**Torque Rating:** 10-18AWG 24 lb-in.  
1-8AWG 35 lb-in.

**Poles:** 1-, 2- or 3-Pole.

### Storage & Operating Temperature Range\*:

-20°C to 75°C.

**Agency Information:** CE, UL 4248/CSA 22.2 No. 4248.

**Flammability Rating:** UL 94V0.

### Catalog Numbers

See Catalog Numbers table below.

### Features and Benefits

- Choice of local fuse indication; *easyID*™ viewing window (for seeing indicator on LPJ-SPI indicating fuse) or neon lamp.
- Versatile 1-, 2- and 3-pole versions for 0-30A and 35-60A fuses with dual wire rated connections simplify wiring.
- Improved electrical safety with IP20 finger-safe construction with lock-out/tag-out feature. 3-phase fuse extraction assures all phases are opened for service work.
- Flexible panel/35mm DIN rail mounting options

\*For fuse selection on applications above or below 25°C, consult derating charts in Cooper Bussmann publication "Selecting Protective Devices" (SPD).



30 Amp Version

60 Amp Version

### Dimensions (mm):

| Fuse Size | Poles | W   | D  | H   |
|-----------|-------|-----|----|-----|
| 0-30A     | 1     | 32  | 70 | 115 |
|           | 2     | 64  | 70 | 115 |
|           | 3     | 96  | 70 | 115 |
| 35-60A    | 1     | 40  | 83 | 125 |
|           | 2     | 80  | 83 | 125 |
|           | 3     | 120 | 83 | 125 |

### Catalog Numbers

| Catalog Numbers | Amp Rating | Volts (AC/DC) | # of Poles | IP20 Finger-Safe | Mounting        | Padlockable | Local Indication | AWG Single Wire Range |
|-----------------|------------|---------------|------------|------------------|-----------------|-------------|------------------|-----------------------|
| CH30J1          | 30         | 600           | 1          | Yes              | 35mm DIN/ Panel | Yes         | <i>easyID</i> ** | 1-18                  |
| CH30J1I         | 30         | 600           | 1          | Yes              | 35mm DIN/ Panel | Yes         | Neon Lamp***     | 1-18                  |
| CH30J2          | 30         | 600           | 2          | Yes              | 35mm DIN/ Panel | Yes         | <i>easyID</i> ** | 1-18                  |
| CH30J2I         | 30         | 600           | 2          | Yes              | 35mm DIN/ Panel | Yes         | Neon Lamp***     | 1-18                  |
| CH30J3          | 30         | 600           | 3          | Yes              | 35mm DIN/ Panel | Yes         | <i>easyID</i> ** | 1-18                  |
| CH30J3I         | 30         | 600           | 3          | Yes              | 35mm DIN/ Panel | Yes         | Neon Lamp**      | 1-18                  |
| CH60J1          | 60         | 600           | 1          | Yes              | 35mm DIN/ Panel | Yes         | <i>easyID</i> ** | 1-18                  |
| CH60J1I         | 60         | 600           | 1          | Yes              | 35mm DIN/ Panel | Yes         | Neon Lamp***     | 1-18                  |
| CH60J2          | 60         | 600           | 2          | Yes              | 35mm DIN/ Panel | Yes         | <i>easyID</i> ** | 1-18                  |
| CH60J2I         | 60         | 600           | 2          | Yes              | 35mm DIN/ Panel | Yes         | Neon Lamp***     | 1-18                  |
| CH60J3          | 60         | 600           | 3          | Yes              | 35mm DIN/ Panel | Yes         | <i>easyID</i> ** | 1-18                  |
| CH60J3I         | 60         | 600           | 3          | Yes              | 35mm DIN/ Panel | Yes         | Neon Lamp***     | 1-18                  |

\*\* *easyID*™ viewing window, requires use of Cooper Bussmann LPJ\_SPI permanent indication fuses.

\*\*\* Indication non-fuse dependent, minimum voltage 90Vac/115Vdc.

Data Sheet: 2144

## Class J (Finger-safe) Fuse Holders

### Safety J™ — JT(N)60030 & JT(N)60060

#### Specifications

**Description:** Indicating and non-indicating finger-safe, DIN rail mount fuse holders for use with Class J fuses - (Cooper Bussmann® LPJ, JKS).

**Dimensions:** See Dimensions illustrations.

#### Ratings:

Volts: — 600Vac

Amps: — 0-60A (JT(N)60060)

— 0-30A (JT(N)60030)

SCCR: — 200,000A RMS Sym.

— 300,000A self certified using Cooper Bussmann LPJ\_SP fuses

**Agency Information:** CE, Listed to UL 4248: Guide IZLT, File 14853, CSA Certified: Class 6225-01, File 47235. IP20 per IEC 60529.

**Flammability Rating:** UL 94V0.

**Indication:** Min voltage: 90Vac, 115Vdc; neon lamp “ON” when fuse opens, voltage source and current path are present.

**Terminations:** 30A dual port torque 20lb-in, 60A single port torque 45lb-in, terminal construction, tin-plated copper alloy.

**Wire Size:** JT(N)60030 - rated for 75°C, AWG#18-#8; Cu only, JT(N)60060 - rated for 75°C, AWG#14-#4; Cu only.

(Note: For JT(N)60030 use both stranded or solid, in a variety of dual wire combinations of same wire size and type.)

#### Features and Benefits

- Short-Circuit Current Rating of 300,000A with Cooper Bussmann LPJ\_\_\_SP fuses.
- Rapid, flexible 35 mm DIN rail mounting.
- One piece interlocking design for assembling multiple pole blocks reduces inventory costs.
- Removable fuse carrier allows fuse replacement away from base while maintaining finger-safe rating.

#### Typical Applications

- Industrial Controls
- Process Controls
- Small HP VFDs

#### Catalog Numbers

| Catalog Numbers | Amps | Indication        |
|-----------------|------|-------------------|
| JT60030         | 30   | Non-indicating    |
| JT60060         | 60   | Non-indicating    |
| JTN60030        | 30   | Indicating (Neon) |
| JTN60060        | 60   | Indicating (Neon) |



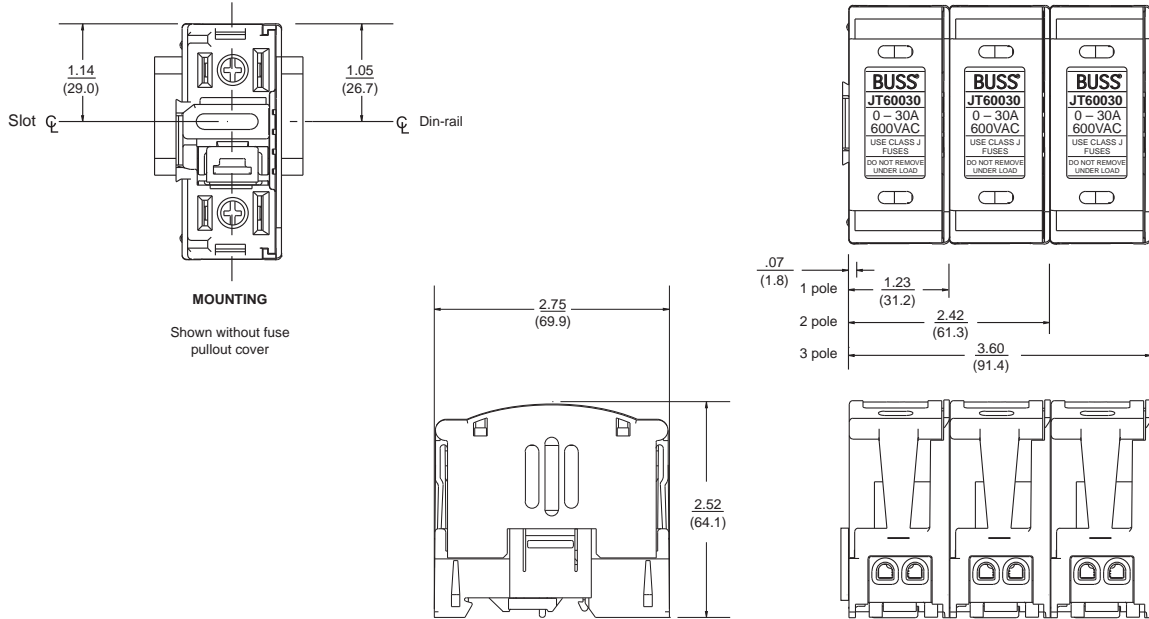
30 Amp Version



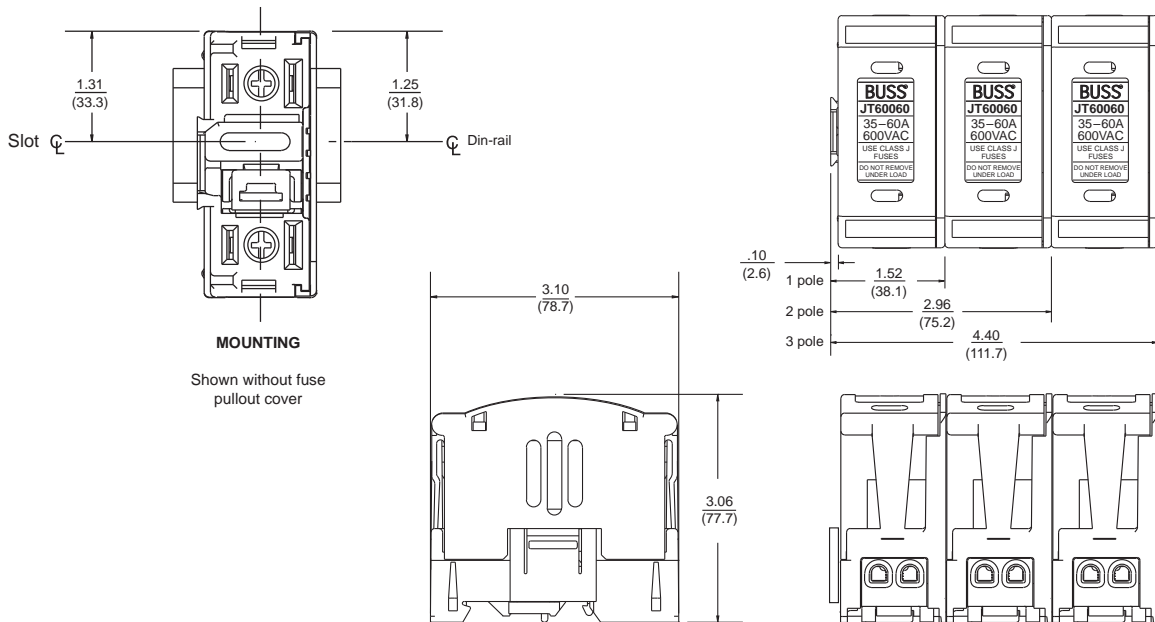
60 Amp Version

## Class J (Finger-safe) Fuse Holders

Dimensions for JT60030 & JTN60030 — in (mm)



Dimensions for JT60060 & JTN60060 — in (mm)



JT(N)600 Series fuse blocks can be dovetailed together within the same current rating to provide multiple pole block configurations.

NOTE: JT(N)60030 cannot be dovetailed to JT(N)60060.



## Global Modular Fuse Holders

### CH Series - 8x32, 10x38, 14x51, 22x58, Class CC

#### Specifications

**Description:** The 'CH' line of modular fuse holders accommodates many fuses from around the world, including North American Class-CC, Midget, Class gR, aR HSF, and IEC Industrial Ferrule (Class gG and aM) in four physical sizes: 8x32, 10x38, 14x51 and 22x58mm.

**Agency Information:** Manufactured in accordance with IEC 60269 and IEC 60947-3. Agency Compliance as indicated in the Catalog Numbers table.

#### Features/Benefits

- Optional open fuse indication (minimum 90Vac, 115Vdc for indicator lights)
- 14x51 & 22x58mm configurations available with optional micro-switches for remote open fuse indication, pre-breaking, and fuse presence
- Multi-phase connections available for ganging poles
- Low voltage indicating device available for CC and midget (48V)

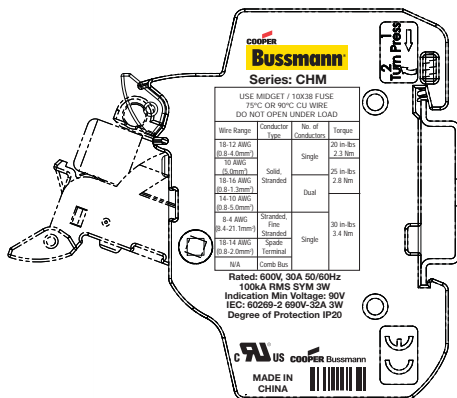


### Modular Fuse Holder Selection Table (10 x 38 and CC)

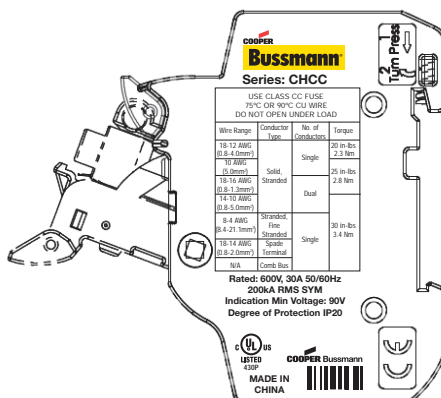
| Series & Size        | Catalog Number |                   | Voltage & Current              | Agency Markings                | Number of Poles     | Terminal Rating  | SCCR Rating   | Cooper Bussmann Fuses  |
|----------------------|----------------|-------------------|--------------------------------|--------------------------------|---------------------|--|---------------|--|
|                      | With Indicator | Without Indicator |                                |                                |                     |  |               |  |
| CHM 10x38 and Midget | CHM1DIU        | CHM1DU            | UL 600V/30A;<br>IEC 690V/32A   | cURus; IEC 60269-2             | 1                   | Solid, Stranded, Fine Stranded, Spade Lug, Comb Bus Bar; Single and Dual Wire; 75°C and 90°C Cu wire | 100kA rms sym | FNQ, KLM, FNM, KTK, BAF, FWA, DCM, C10 SERIES, AGU, BAN, FWC |
|                      | CHM2DIU        | CHM2DU            |                                |                                | 2                   |  |               |  |
|                      | CHM3DIU        | CHM3DU            |                                |                                | 3                   |  |               |  |
|                      | CHM4DIU        | CHM4DU            |                                |                                | 4                   |  |               |  |
|                      | CHM1DNIU       | CHM1DNU           | UL 48Vdc/30A;<br>IEC 48Vdc/32A | IEC 60269-2                    | 1 pole + 1 neutral  |  |               |  |
|                      | CHM3DNIU       | CHM3DNU           |                                |                                | 3 poles + 1 neutral |  |               |  |
|                      | CHM1DI-48U     |                   |                                | 1                              |                     |  |               |  |
| CHPV                 | CHPV1IU        | CHPV1U            | UL & IEC;<br>1000Vdc/30A       | UR, CSA, UL4248-18, IEC60269-1 | 1 neutral           |  | n/a           | n/a  |
|                      | CHPV2IU        | CHPV2U            |                                |                                | 1                   | 2  | 33kA          | Solar PV series  |
| CHCC Class CC        | CHCC1DIU       | CHCC1DU           | UL 600V/30A                    | cULus                          | 1                   |  | 200kA rms sym | LP-CC, FNQ-R, KTK-R  |
|                      | CHCC2DIU       | CHCC2DU           |                                |                                | 2                   |  |               |  |
|                      | CHCC3DIU       | CHCC3DU           |                                |                                | 3                   |  |               |  |
|                      |                | CHCC1DI-48U       |                                |                                | 1                   |  |               |  |

Fuse Holders & Blocks

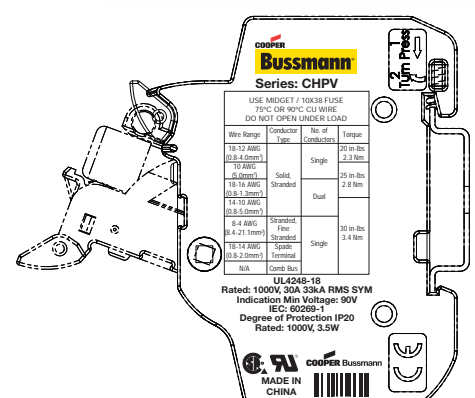
#### CHM & CHMI



#### CHCC & CHCCI



#### CHPV & CHPVI



## Global Modular Fuse Holders

### Modular Fuseholder Selection Table (8x32, 14x51, and 22x58)

#### Part Numbers

| Series/<br>Size | Catalog Numbers |  | Max<br>Voltage<br>& Current  | IEC    | UL | Phase Configuration            | No. of<br>17.5mm<br>Modules* | Box<br>Qty. | Wire Range                       | Maximum<br>Torque |
|-----------------|-----------------|--|--|--------|----|--------------------------------|------------------------------|-------------|----------------------------------|-------------------|
|                 | W/O Indication  | W/Indication   |  |        |    |                                |                              |             |                                  |                   |
| CH08<br>8X32    | CH081D          | CH081DI  | IEC<br>400Vac<br>25A   | •      |    | 1-pole                         | 1                            | 12          | 1-16mm <sup>2</sup> (18-6 AWG)   | 2.5 N•m (22in-lb) |
|                 | CH081DNX        | -  |  | •      |    | 1 Neutral Pole                 | 1                            | 12          |                                  |                   |
|                 | CH081DNS        | CH081DNSI  |  | •      |    | 1-pole + Neutral               | 1                            | 12          |                                  |                   |
|                 | CH081DN         | CH081DNI   |  | •      |    | 1-pole + Neutral               | 2                            | 6           | 1-16mm <sup>2</sup> (18-6 AWG)   | 2.5 N•m (22in-lb) |
|                 | CH082D          | CH082DI  |  | •      |    | 2-pole                         | 2                            | 6           |                                  |                   |
|                 | CH083D          | CH083DI  |  | •      |    | 3-pole                         | 3                            | 4           |                                  |                   |
|                 | CH083DNS        | CH083DNSI  |  | •      |    | 3-pole + Neutral               | 3                            | 4           |                                  |                   |
|                 | CH083DN         | CH083DNI   |  | •      |    | 3-pole + Neutral               | 4                            | 3           |                                  |                   |
|                 | CH084D          | CH084DI  |  | •      |    | 4-pole                         | 4                            | 3           |                                  |                   |
| CH14<br>14X51   | CH141D          | CH141DICH1   | UL/cURus<br>600Vac/dc,<br>40A<br>(5 Watt)<br>IEC<br>690Vac,<br>50A     | •      |    | 1-pole                         | 1.5                          | 6           | 2.5-16mm <sup>2</sup> (14-6 AWG) | 3.0 N•m (26in-lb) |
|                 | CH141DMS        | -14X51   |  | •      |    | 1-pole + Microswitch           | 1.5                          | 6           |                                  |                   |
|                 | CH141DNX        | -  |  | •      |    | 1 Neutral Pole                 | 1.5                          | 6           |                                  |                   |
|                 | CH141DN         | CH141DNI   |  | •      |    | 1-pole + Neutral               | 3                            | 3           |                                  |                   |
|                 | CH142D          | CH142DI  |  | •      | †  | 2-pole                         | 3                            | 3           |                                  |                   |
|                 | CH143D          | CH143DI  |  | •      | †  | 3-pole                         | 4.5                          | 2           |                                  |                   |
|                 | CH143DMS        | -  |  | •      |    | 3-pole + Microswitch           | 4.5                          | 2           |                                  |                   |
|                 | CH143DN         | CH143DNI   |  | •      |    | 3-pole + Neutral               | 6                            | 1           |                                  |                   |
|                 | CH143DNMS       | -  |  | •      |    | 3-pole + Neutral + Microswitch | 6                            | 1           |                                  |                   |
| CH144D          | CH144DI         | •  |  | 4-pole | 6  | 1                              |                              |             |                                  |                   |
| CH22<br>22X58   | CH221B          |  | UL/cURus<br>600Vac/dc,<br>100A<br>(9.5 Watt)<br>IEC<br>690Vac,<br>125A | •      | †  | 1-pole                         | 2                            | 6           | 2.5-50mm <sup>2</sup> (14-1 AWG) | 4.0 N•m (35in-lb) |
|                 | CH221BMS        |  |  | •      |    | 1-pole + Microswitch           | 2                            | 6           |                                  |                   |
|                 | CH221BNX        | Not Available with local neon indication (remote microswitch only) |  | •      |    | 1 Neutral Pole                 | 2                            | 6           |                                  |                   |
|                 | CH221BN         |  |  | •      |    | 1-pole + Neutral               | 4                            | 3           |                                  |                   |
|                 | CH222B          |  |  | •      | †  | 2-pole                         | 4                            | 3           |                                  |                   |
|                 | CH223B          |  |  | •      | †  | 3-pole                         | 6                            | 2           |                                  |                   |
|                 | CH223BMS        |  |  | •      |    | 3-pole + Microswitch           | 6                            | 2           |                                  |                   |
|                 | CH223BN         |  |  | •      | †  | 3-pole + Neutral               | 8                            | 1           |                                  |                   |
|                 | CH223BNMS       |  |  | •      |    | 3-pole + Neutral + Microswitch | 8                            | 1           |                                  |                   |
| CH224B          |                 | •  |  | 4-pole | 8  | 1                              |                              |             |                                  |                   |

† UL Recognized (cURus)

†† UL Listed (cULus)

\*Holder width as compared to standard, i.e., 1 = 17.5mm module 2 = 35mm.

\*\*90V minimum required for illumination

#### Accessories for CH Series

| Catalog Numbers         | Accessory                       | For Use with Fuse Holders                 | No. of Poles | Carton Qty. |
|-------------------------|---------------------------------|---|--------------|-------------|
| AL-D                    | Multi-Phase Connection Links    | CH08 and CH14 Series                      | -            | 12          |
| JV-L                    | Multi-Phase Connection Kit***   | CHM and CHCC Series                       | -            | -           |
| CH810-HP<br>CH14-HP     | Multi-Phase Handle Pins         | CH08 Series<br>CH14 Series                | -            | 10          |
| C08NL<br>C14NL<br>C22NL | Neutral Links                   | CH08 Series<br>CH14 Series<br>CH22 Series | -            | 10          |
| CH14MS-1D<br>CH14MS-3D  |                                 | CH141 Series<br>CH143 Series              | 1<br>3       | 5<br>2      |
| CH-PLC****              | PLC Module                      | CHM and CHCC Series                       | 1            | 1           |
| CH22LS                  | 22x58 Lock Support              | CH22 Series                               | -            | 5           |
| CH22IP20                | 22x58 IP20 Protection Accessory | CH22 Series                               | -            | 12          |

\*\*\*Kit contains 3-Spring pins and 6-connection links

\*\*\*\*OL Listed (cULus)

Multi-Phase Connection Links



Multi-Phase Handle Pins



Neutral Links



Operated-Fuse Micro-Switches



Programmable Logic Controller (PLC)



## SAMI™ Fuse Covers

### SAMI™ Series



#### Specifications

**Description:** Indicating and non-indicating fuse covers for Class J, RK1, RK5, H, K5, CC, G (0-30A) and midget-type fuses. Indicating feature requires a minimum of 90Vac or 115Vdc to illuminate lamp. One cover required for each pole.

**WARNING:** To avoid electrical shock, turn power off before installing, removing or servicing.

**Dimensions:** See Dimensions illustration.

#### Ratings:

Volts: — Non-Indicating - 0-600Vac/dc  
 — Indicating - 90 to 600Vac  
 -115 to 600Vdc

Amps: — 0-100A

**Agency Information:** CE, UL Listed; SAMI-11 through SAMI-61, SAMI-81 and SAMI-91, SAMI-1N through SAMI-6N, SAMI-8N and SAMI-9N, UL Recognized; SAMI-71 and SAMI-7N, CSA Certified, File LR47235-93C.

#### Catalog Numbers

| Catalog Numbers* | Description                                 | Dimensions (Inches) |      |      |
|------------------|---|---------------------|------|------|
|                  |   | A                   | B    | C    |
| SAMI-1_          | 600V, J (0-30A) and 600V, T (35-60A)**      | 5.02                | 1.03 | 1.94 |
| SAMI-2_          | 600V, RK, K5, H (0-30A)                     | 7.03                | 1.30 | 2.07 |
| SAMI-3_          | 600V, J (65-100A)                           | 7.03                | 1.30 | 2.33 |
| SAMI-4_          | 250V, RK, K5, H (65-100A)                   | 8.20                | 1.30 | 2.18 |
| SAMI-5_          | 600V, RK, K5, H (35-60A)                    | 8.20                | 1.30 | 2.18 |
| SAMI-6_          | 600V, J (35-60A)                            | 4.98                | 1.17 | 2.14 |
| SAMI-7_          | 600V, Midget, Class CC, G (0-30A)           | 3.82                | 0.75 | 1.72 |
| SAMI-8†_         | 600V, RK††, K5, H (65-100A)                 | 10.38               | 1.50 | 2.33 |
| SAMI-9_          | 250V, RK, K5, H (0-30A) and 600V, T (0-30A) | 3.82                | 0.75 | 1.72 |

\*For indicating cover, add suffix "I", for non-indicating cover, add suffix "N".

Example: SAMI-7I = Indicating, SAMI-7N = Non-indicating.

\*\*Available in non-indicating only.

†SAMI-8A adapter available for small Fusetron® body design. SAMI-8I and SAMI-8N come standard with adapter (SAMI-8A).

††Not for use with KTS-R fuses.

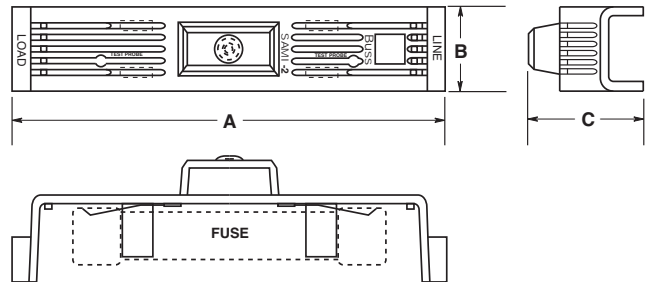
#### Features and Benefits

- Insulated cover allows field conversion of fuses mounted in open fuse blocks to dead front configuration.
- Optional open fuse indicating light aids in system troubleshooting.
- Units are re-usable.
- Allows visual marking of line and load side of fuses.

#### Typical Applications

- Class H, R and J fuse blocks up to 100A
- Class T fuse blocks up to 60A
- Class CC, G and Midget, 30A fuse blocks

#### Dimensions



## Class H(K) and R Fuse Blocks – 250V

### H250 & R250 Series

#### Specifications

#### Descriptions:

**H250 Series:** 1-, 2- and 3-pole fuse blocks for use with Class H fuses.

**R250 Series:** 1-, 2- and 3-pole fuse blocks for use with Class R fuses (Cooper Bussmann LPN-RK and FRN-R, DLN-R and KTN-R fuses).



**Dimensions:** See Dimensions illustrations.

#### Ratings:

Volts: — 250Vac/dc (H250 & R250 Series)

Amps: — 1/10-600A

SCCR: — H250 Series; 10kA RMS Sym.

— R250 Series; 200kA RMS Sym.

**Agency Information:** CE, UL Listed UL 4248, Guide IZLT, File E14853; CSA Certified, Class 6225-01, File 47235.

**Flammability Rating:** UL 94V0.

#### Features and Benefits

- H250 fuse blocks provide one, two and three pole housing for Class H, K and R fuses at 250Vac.
- H250 fuse blocks are listed with a Short-Circuit Current Rating of 10kA RMS Sym.
- R250 fuse blocks provide one, two and three pole housing for Class R fuses at 250Vac.
- R250 fuse blocks are listed with a Short-Circuit Current Rating of 200kA RMS Sym.

#### Typical Applications

- 250Vac/dc or less Control Systems
- 250Vac/dc or less Industrial Control
- 250Vac/dc or less Industrial Control Circuits

**Recommended DIN rail adapters for the 1/10-30A series**

- see page 413.

Class H Fuseblocks (250V) Catalog Data (for NON and REN Fuses)

| Amps       | Poles | Terminal Type (Suffix No.) |   |                             |                |  |            |                             |             |                     |    | Figure Number   | Wire Range |
|------------|-------|----------------------------|---|-----------------------------|----------------|--|------------|-----------------------------|-------------|---------------------|----|---|------------|
|            |       | Screw                      |   |                             |                |  | Box Lug w/ |                             |             |                     |    |   |            |
|            |       | Catalog Number             | — | Clip with Reinforced Spring | Pressure Plate | Pressure Plate & Clip with Reinforced Spring | —          | Clip with Reinforced Spring | Copper Only | 0.25" Quick Connect | —  |   |            |
| 1/10 to 30 | 1     | H25030-1                   | S | SR                          | P              | PR   | C          | CR                          | —           | Q                   | 1  | C, CR #2-14 Cu, #2-12 Al<br>P, PR #10-18 Cu Only<br>Q N/A<br>S, SR #10-18 Cu Only |            |
|            | 2     | H25030-2                   | S | SR                          | P              | PR   | C          | CR                          | —           | —                   | 2  |   |            |
|            | 3     | H25030-3                   | S | SR                          | P              | PR   | C          | CR                          | —           | —                   | 3  |   |            |
| 31 to 60   | 1     | H25060-1                   | — | —                           | —              | —  | C          | CR                          | CO          | —                   | 4  | C, CR #2-14 Cu, #2-8 Al<br>CO #2-14 Cu Only                                       |            |
|            | 2     | H25060-2                   | — | —                           | —              | —  | C          | CR                          | CO          | —                   | 5  |   |            |
|            | 3     | H25060-3                   | — | —                           | —              | —  | C          | CR                          | CO          | —                   | 6  |   |            |
| 61 to 100  | 1     | H25100-1                   | — | SR                          | —              | —  | —          | CR                          | —           | —                   | 7  | CR #1/0-8 Cu/Al<br>SR #8W/ Ring Terminal  |            |
|            | 2     | H25100-2                   | — | SR                          | —              | —  | —          | CR                          | —           | —                   | 8  |   |            |
|            | 3     | H25100-3                   | — | SR                          | —              | —  | —          | CR                          | —           | —                   | 9  |   |            |
| 101 to 200 | 1     | H25200-1                   | — | —                           | —              | —  | —          | CR                          | —           | —                   | 10 | CR 250kcmil-6 Cu/Al   |            |
|            | 3     | H25200-3                   | — | —                           | —              | —  | —          | CR                          | —           | —                   | 11 |   |            |
| 201 to 400 | 1     | H25400-1                   | — | —                           | —              | —  | —          | CR†                         | —           | —                   | 12 | CR 500kcmil-4 Cu/Al   |            |
|            | 3     | H25400-3                   | — | —                           | —              | —  | —          | CR†                         | —           | —                   | 13 |   |            |
| 401 to 600 | 1     | H25600-1                   | — | —                           | —              | —  | —          | CR                          | —           | —                   | 14 | CR (2) 500kcmil-4/0 Cu/Al   |            |
|            | 3     | H25600-3                   | — | —                           | —              | —  | —          | CR†                         | —           | —                   | 15 |   |            |

\*UL Recognized, No CSA Certification.

†No UL, No CSA Certification.

## Class H(K) and R Fuse Blocks - 250V

Class R Fuseblocks (250V) Catalog Data (for LPN-RK, FRN-R, DLN-R and KTN-R Fuses)

| Amps       | Poles    | Catalog Number | Terminal Type (Suffix No.) |             |            |              |                     | Fig. No. | Wire Range                                       |
|------------|----------|----------------|----------------------------|-------------|------------|--------------|---------------------|----------|--|
|            |          |                | Screw w/                   |             | Box Lug w/ |              | 0.25" Quick-Connect |          |  |
|            |          |                | —                          | Pres. Plate | —          | Clip Cu Only |                     |          |  |
| 1/10 to 30 | 1        | R25030-1       | SR                         | PR          | CR         | COR          | QR*                 | 1        | COR #6-14 Cu Only                                |
|            | 2        | R25030-2       | SR                         | PR          | CR         | COR          | —                   | 2        | CR #2-14 Cu, #2-12 Al                            |
|            | 3        | R25030-3       | SR                         | PR          | CR         | COR          | —                   | 3        | PR #10-18 Cu Only<br>QR N/A<br>SR #10-18 Cu Only |
| 31 to 60   | 1        | R25060-1       | —                          | —           | CR         | —            | —                   | 4        | CR #2-14 Cu, #2-8 Al                             |
|            | 2        | R25060-2       | —                          | —           | CR         | —            | —                   | 5        |  |
|            | 3        | R25060-3       | —                          | —           | CR         | —            | —                   | 6        |  |
| 61 to 100  | 1        | R25100-1       | —                          | —           | CR         | —            | —                   | 7        | CR 1/0-8 Cu/Al                                   |
|            | 2        | R25100-2       | —                          | —           | CR         | —            | —                   | 8        |  |
|            | 3        | R25100-3       | —                          | —           | CR         | —            | —                   | 9        |  |
| 101 to 200 | 1        | R25200-1       | —                          | —           | CR         | —            | —                   | 10       | CR 250kcmil-6 Cu/Al                              |
|            | 3        | R25200-3       | —                          | —           | CR         | —            | —                   | 11       |  |
| 201 to 400 | 1        | R25400-1       | —                          | —           | CR†        | —            | —                   | 12       | CR 500kcmil-4/0 Cu/Al                            |
|            | 3        | R25400-3       | —                          | —           | CR†        | —            | —                   | 13       |  |
| 401 to 600 | 1        | R25600-1       | —                          | —           | CR         | —            | —                   | 14       | CR 500kcmil-4/0 Cu/Al                            |
| 3          | R25600-3 | —              | —                          | CR†         | —          | —            | 15                  |          |  |

\*UL Recognized, No CSA Certification.

†No UL, No CSA Certification.

‡UL Recognized, CSA Certification

### Dimensions - in 250V 1/10 to 30A

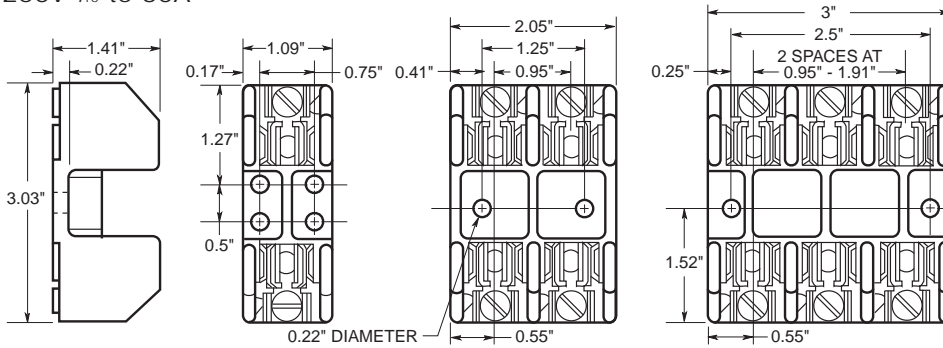


FIGURE 1.

FIGURE 2.

FIGURE 3.

### 250V, 31A to 60A

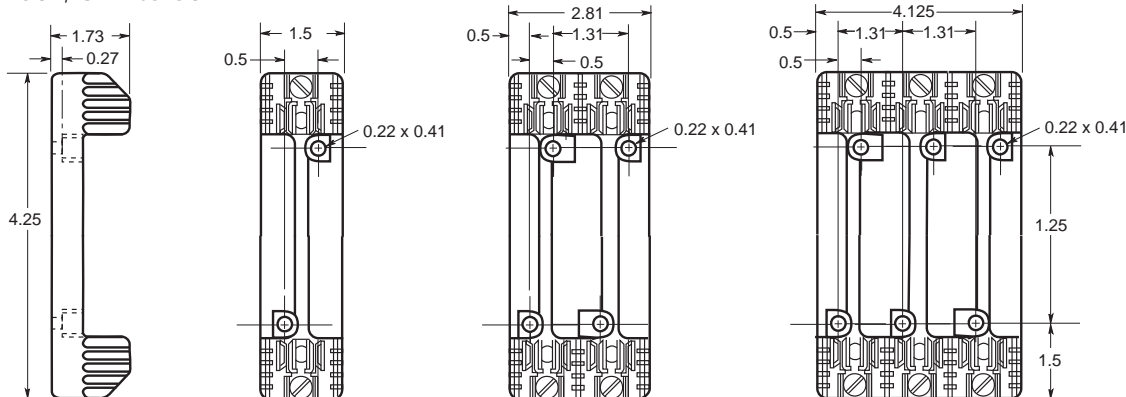


FIGURE 4.

FIGURE 5.

FIGURE 6.

Data Sheet: H250 Series, 1112; R250 Series, 1110

For product data sheets, visit [www.cooperbussmann.com/datasheets/ulcsa](http://www.cooperbussmann.com/datasheets/ulcsa)

Fuse Holders & Blocks

## Class H(K) and R Fuse Blocks - 250V

250V, 61A to 100A

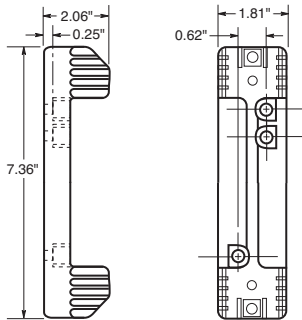


FIGURE 7.

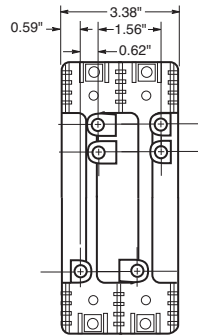


FIGURE 8.

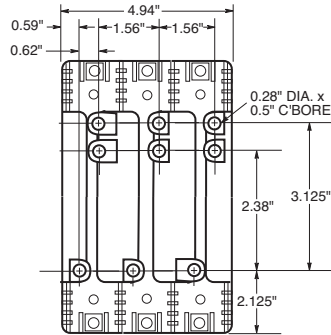


FIGURE 9.

250V, 101A to 200A

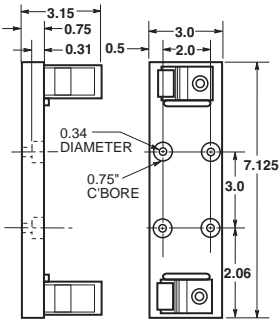


FIGURE 10.

250V, 101A to 200A

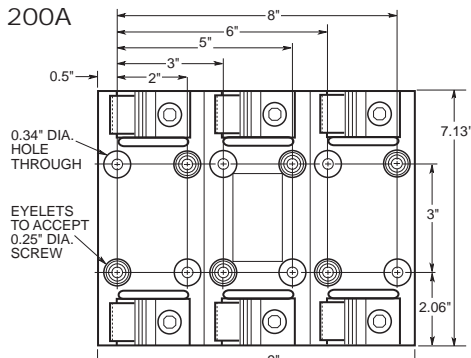
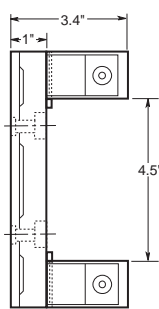


FIGURE 11.

250V, 201A to 400A

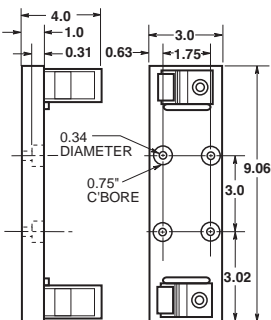


FIGURE 12.

250V, 201A to 400A

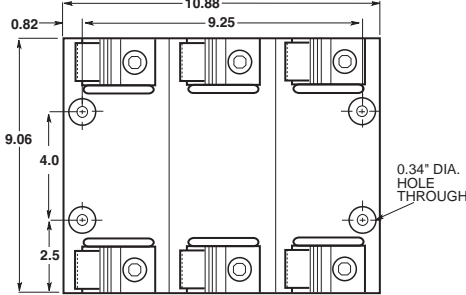
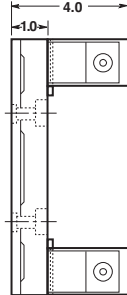


FIGURE 13.

250V, 401A to 600A

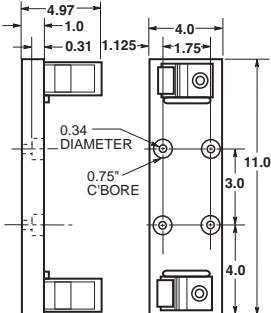


FIGURE 14.

250V, 401A to 600A

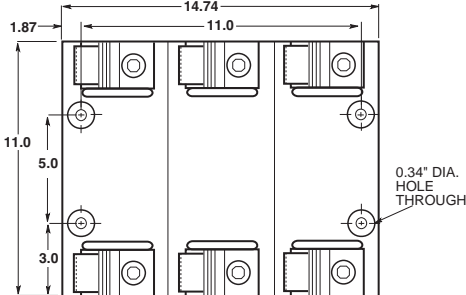
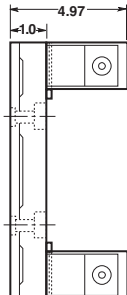


FIGURE 15.

## Class H(K) and R Fuse Blocks – 600V

### H600 & R600 Series

#### Specifications

##### Descriptions:

**H600 Series:** fuse blocks for use with 1-, 2- and 3-pole Class H fuses.

**R600 Series:** fuse blocks for use with 1-, 2- and 3-pole Class R fuses (Cooper Bussmann LPS-RK, FRS-R, DLS-R and KTS-R fuses).

**Dimensions:** See Dimensions illustrations.

##### Ratings:

Volts: — 600Vac/dc (H600 & R600 Series)

Amps: — 1/10-600A

SCCR: — H600 Series; 10kA RMS Sym.

— R600 Series; 200kA RMS Sym.

**Agency Information:** CE, UL Listed UL 4248, Guide IZLT, File E14853; CSA Certified, Class 6225-01, File 47235.

**Flammability Rating:** UL 94V0.



H60030-3C



H60030-2PR

#### Features and Benefits

- H600 fuse blocks provide one-, two- and three-pole housing for Class H, K and R fuses at 600Vac.
- H600 fuse blocks are listed with a Short-Circuit Current Rating of 10kA RMS Sym.
- R600 fuse blocks provide one, two and three pole housing for Class R fuses at 600Vac.
- R600 fuse blocks are listed with a Short-Circuit Current Rating of 200kA RMS Sym.

#### Typical Applications

- 600Vac/dc or less Control Systems
- 600Vac/dc or less Industrial Control
- 600Vac/dc or less Individual Control Circuits

Class H Fuseblocks (600V) Catalog Data (for NOS and RES Fuses)

| Amps             | Poles | Catalog Number | Terminal Type (Suffix No.) |                             |                |  |   |                             | Figure Number | Wire Range  |
|------------------|-------|----------------|----------------------------|-----------------------------|----------------|--|---|-----------------------------|---------------|---|
|                  |       |                | Screw                      |                             |                | Box Lug w/                                   |   |                             |               |   |
|                  |       |                | —                          | Clip with Reinforced Spring | Pressure Plate | Pressure Plate & Clip with Reinforced Spring | — | Clip with Reinforced Spring |               |   |
| 1/10<br>to<br>30 | 1     | H60030-1       | S                          | SR                          | P              | PR   | C | CR                          | 1             | C, CR #2-14 Cu, #2-12 Al<br>P, PR, S, SR #10-18 Cu Only |
|                  | 2     | H60030-2       | S                          | SR                          | P              | PR   | C | CR                          | 2             |   |
|                  | 3     | H60030-3       | S                          | SR                          | P              | PR   | C | CR                          | 3             |   |
| 31<br>to<br>60   | 1     | H60060-1       | —                          | —                           | —              | —  | C | CR                          | 4             | C, CR #2-14 Cu, #2-8 Al                                 |
|                  | 2     | H60060-2       | —                          | —                           | —              | —  | C | CR                          | 5             |   |
|                  | 3     | H60060-3       | —                          | —                           | —              | —  | C | CR                          | 6             |   |
| 61<br>to<br>100  | 1     | H60100-1       | —                          | —                           | —              | —  | — | CR                          | 7             | CR #1/0-8 Cu/Al   |
|                  | 2     | H60100-2       | —                          | —                           | —              | —  | — | CR                          | 8             |   |
|                  | 3     | H60100-3       | —                          | —                           | —              | —  | — | CR                          | 9             |   |
| 101<br>to<br>200 | 1     | H60200-1       | —                          | —                           | —              | —  | — | CR                          | 10            | CR 250kcmil-6 Cu/Al                                     |
|                  | 3     | H60200-3       | —                          | —                           | —              | —  | — | CR                          | 11            |   |
| 201<br>to<br>400 | 1     | H60400-1       | —                          | —                           | —              | —  | — | CR†                         | 12            | CR 500kcmil-4 Cu/Al                                     |
|                  | 3     | H60400-3       | —                          | —                           | —              | —  | — | CR†                         | 13            |   |
| 401<br>to<br>600 | 1     | H60600-1       | —                          | —                           | —              | —  | — | CR                          | 14            | CR (2) 500kcmil-4/0 Cu/Al                               |
|                  | 3     | H60600-3       | —                          | —                           | —              | —  | — | CR†                         | 15            |   |

†No UL, No CSA Certification.

‡UL Recognized, CSA Certification

## Class H(K) and R Fuse Blocks – 600V

Class R Fuseblocks (600V) Catalog Data (for LPS-RK, FRS-R, DLS-R and KTS-R Fuses)

| Amps       | Poles | Catalog Number | Terminal Type (Suffix No.) |             |            |              | Fig. No. | Wire Range                |
|------------|-------|----------------|----------------------------|-------------|------------|--------------|----------|---------------------------|
|            |       |                | Screw w/                   |             | Box Lug w/ |              |          |                           |
|            |       |                | —                          | Pres. Plate | —          | Clip Cu Only |          |                           |
| 1/80 to 30 | 1     | R60030-1       | SR                         | PR          | CR         | —            | 1        | COR #6-14 Cu Only         |
|            | 2     | R60030-2       | SR                         | PR          | CR         | COR          | 2        | CR #2-14 Cu, #2-12 Al     |
|            | 3     | R60030-3       | SR                         | PR          | CR         | COR          | 3        | PR, SR #10-18 Cu Only     |
| 31 to 60   | 1     | R60060-1       | —                          | —           | CR         | —            | 4        | CR #2-14 Cu, #2-8 Al      |
|            | 2     | R60060-2       | —                          | —           | CR         | —            | 5        |                           |
|            | 3     | R60060-3       | —                          | —           | CR         | —            | 6        |                           |
| 61 to 100  | 1     | R60100-1       | —                          | —           | CR         | —            | 7        | CR, 1/0-8 Cu/Al           |
|            | 2     | R60100-2       | —                          | —           | CR         | —            | 8        |                           |
|            | 3     | R60100-3       | —                          | —           | CR         | —            | 9        |                           |
| 101 to 200 | 1     | R60200-1       | —                          | —           | CR         | —            | 10       | CR<br>250kcmil-6 Cu/Al    |
|            | 3     | R60200-3       | —                          | —           | CR         | —            | 11       |                           |
| 201 to 400 | 1     | R60400-1       | —                          | —           | CR†        | —            | 12       | CR 500kcmil-4 Cu/Al       |
|            | 3     | R60400-3       | —                          | —           | CR†        | —            | 13       |                           |
| 401 to 600 | 1     | R60600-1       | —                          | —           | CR         | —            | 14       | CR (2) 500kcmil-4/0 Cu/Al |
|            | 3     | R60600-3       | —                          | —           | CR†        | —            | 15       |                           |

†No UL, No CSA Certification.

‡UL Recognized, CSA Certification

### Dimensionals – in

600V, 1/80 to 30A

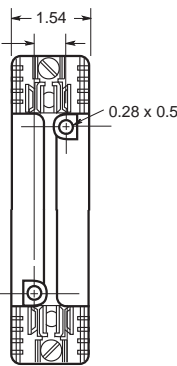
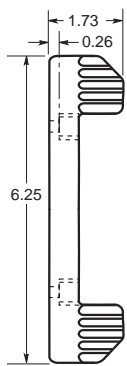


FIGURE 1.

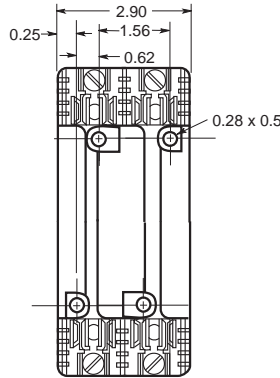


FIGURE 2.

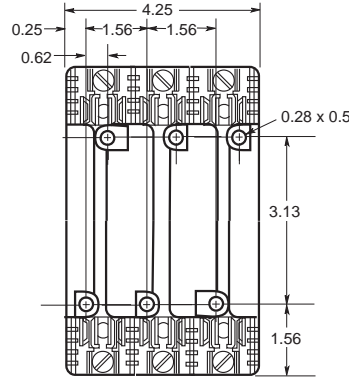


FIGURE 3.

600V, 31 to 60A

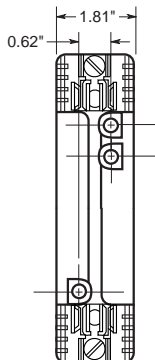
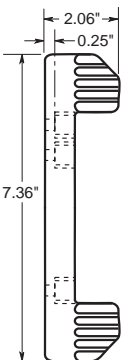


FIGURE 4.

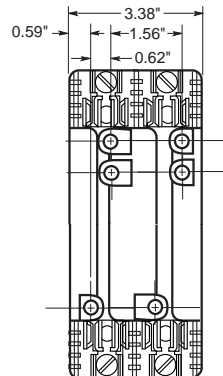


FIGURE 5.

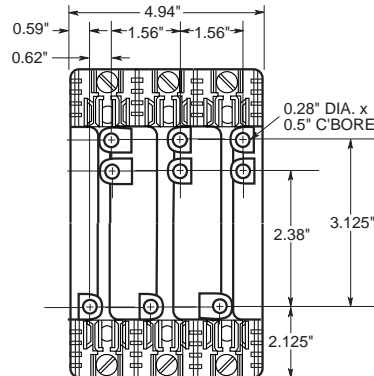


FIGURE 6.



## Class H(K) and R Fuse Blocks - 600V

600V, 61 to 100A

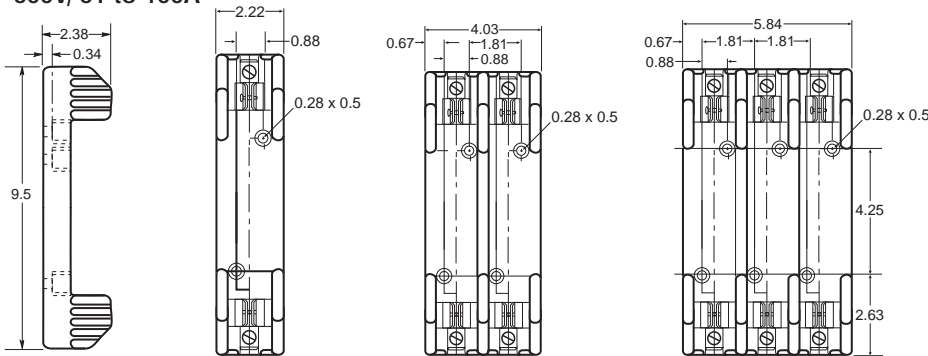


FIGURE 7.

FIGURE 8.

FIGURE 9.

600V, 101 to 200A

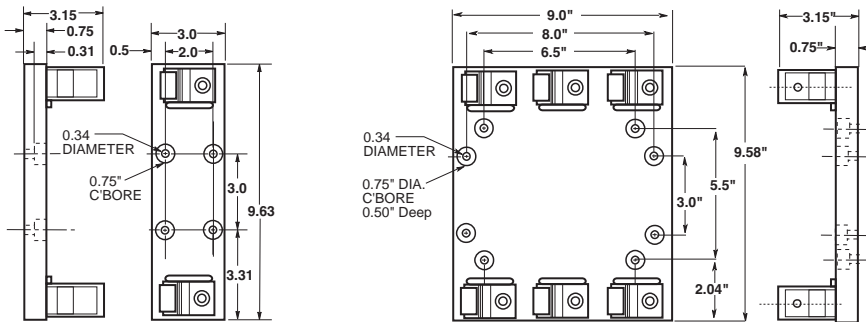


FIGURE 10.

FIGURE 11.

600V, 201 to 400A

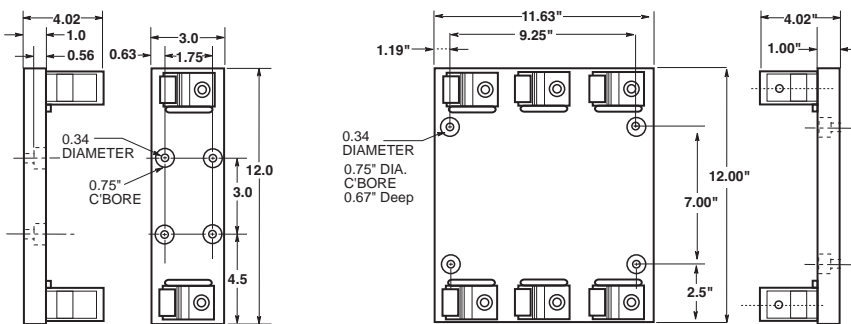


FIGURE 12.

FIGURE 13.

600V, 401 to 600A

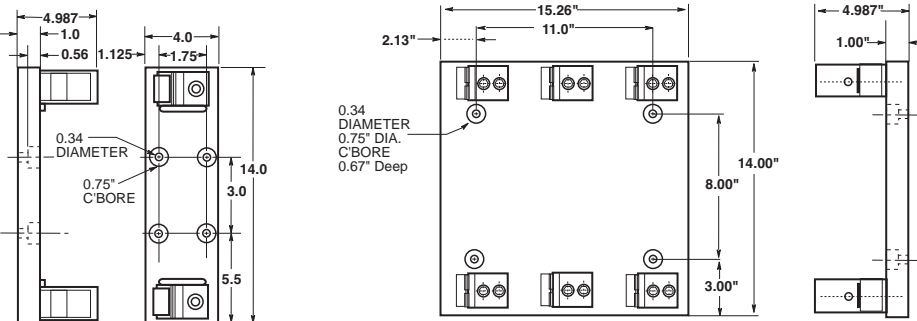


FIGURE 14.

FIGURE 15.

Data Sheet: H600 Series, 1113; R600 Series, 1111

## Class J Fuse Blocks

### J600 Series

#### Specifications

**Description:** 1-, 2- or 3-pole fuse blocks for use with Class J fuses (Cooper Bussmann® LPJ, DFJ and JKS).

**Dimensions:** See Dimensions illustrations.

**Construction:** Thermoplastic.

**Poles:** 1 to 3

#### Ratings:

Volts: — 600Vac/dc

Amps: — ½-600A

SCCR: — 200kA RMS Sym.

**Agency Information:** CE, UL Listed, UL 4248, Guide IZLT, File E14853, CSA Certified, C22.2 No. 4248, Class 6225-01, File 47235.

**Flammability Rating:** UL 94V0.

**Mounting:** Accepts DIN rail adapter DRA-1.

#### Catalog Numbers



#### Features and Benefits

- J600 fuse blocks provide one-, two- and three-pole housing for Class J fuses at 600Vac.
- J600 fuse blocks are listed with a Short-Circuit Current Rating of 200kA RMS Sym.

#### Typical Applications

- 600Vac/dc or less Control Systems
- 600Vac/dc or less Industrial Control
- 600Vac/dc or less Individual Control Circuits

#### Catalog Numbers

| Screw†     | Pressure Plate† | Box Lug   | Box Lug w/ Retaining Clip | Amps    | Poles | Fig. No. | Wire Range                  |
|------------|-----------------|-----------|---------------------------|---------|-------|----------|-----------------------------|
| J60030-1S* | J60030-1P       | J60030-1C | J60030-1CR††              | ½-30    | 1     | 1        | C, CR #2-14 Cu, #2-8 Al     |
| J60030-2S* | J60030-2P       | J60030-2C | J60030-2CR††              |         | 2     | 2        | COR #2-14 Cu Only           |
| J60030-3S* | J60030-3P       | J60030-3C | J60030-3CR††              |         | 3     | 3        | P, PR, S, SR #10-14 Cu Only |
| —          | —               | J60060-1C | J60060-1CR††              | 31-60   | 1     | 1        | C, CR, #2-14 Cu/Al          |
| —          | —               | J60060-2C | J60060-2CR††              |         | 2     | 2        | COR #4-14 Cu Only           |
| —          | —               | J60060-3C | J60060-3CR††              |         | 3     | 3        |                             |
| —          | —               | —         | J60100-1CR                | 61-100  | 1     | 4        | COR 1/0-8 Cu Only           |
| —          | —               | —         | J60100-3CR††              |         | 3     | 5        | CR, CRQ 1/0-8 Cu/Al         |
| —          | —               | —         | J60200-1CR                | 101-200 | 1     | 6        | CR 250kcmil-6 Cu/Al         |
| —          | —               | —         | J60200-3CR                |         | 3     | 7        |                             |
| —          | —               | —         | J60400-1CR**              | 201-400 | 1     | 8        | CR 500kcmil -4 Cu/Al        |
| —          | —               | —         | J60400-3CR**              |         | 3     | 9        |                             |
| —          | —               | —         | J60600-1CR                | 401-600 | 1     | 10       | CR (2) 500kcmil-4/0 Cu/Al   |
| —          | —               | —         | J60600-3CR*               |         | 3     | 11       |                             |

†Clip reinforcing springs are standard on fuse blocks rated 100A and above. Available on 30A and 60A blocks by adding the letter "R" to the end of the part number.

††Copper only connections available by changing "CR" suffix to "COR".

\*No UL, No CSA Certification

\*\*UL Recognized, CSA Certification

#### Dimensions - in (±0.015)

##### ½ - 60A

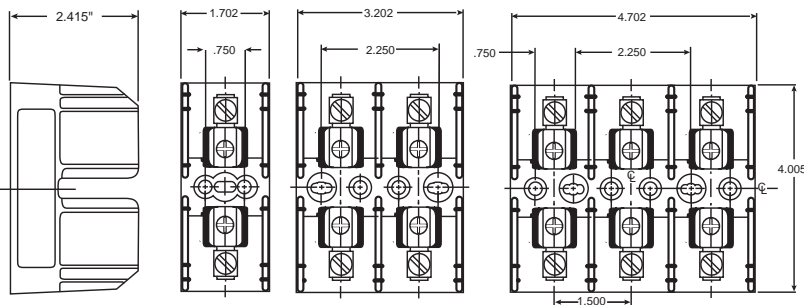


FIGURE 1.

FIGURE 2.

FIGURE 3.

##### 61-100A

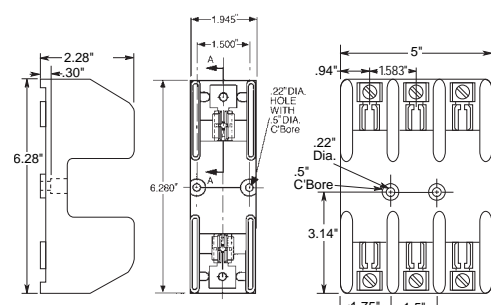


FIGURE 4.

FIGURE 5.

Data Sheet: 1114

## Class J Fuse Blocks

### 101-200A

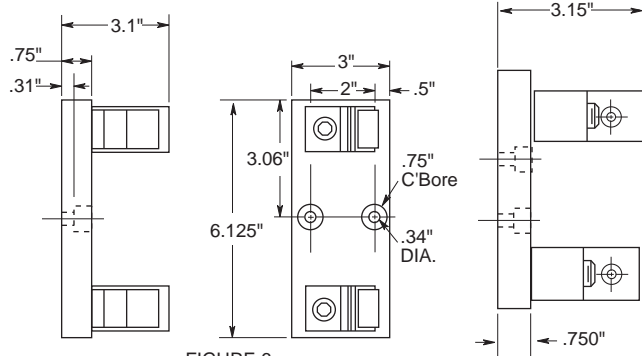


FIGURE 6.

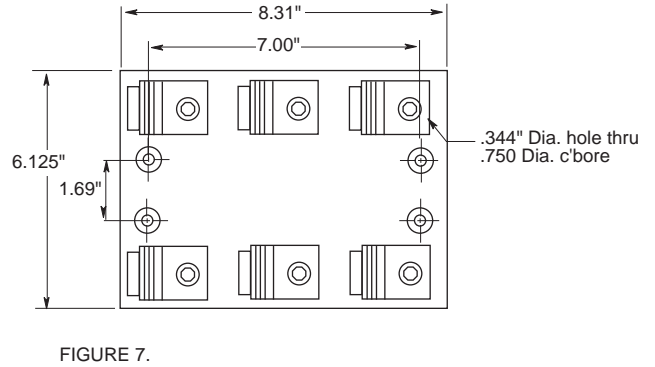


FIGURE 7.

### 201-400A

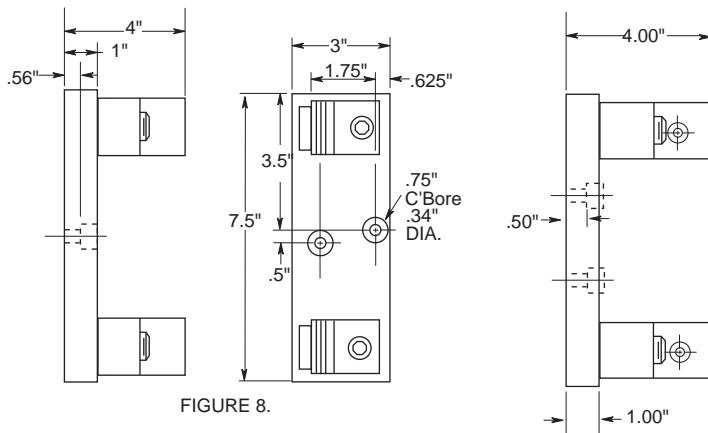


FIGURE 8.

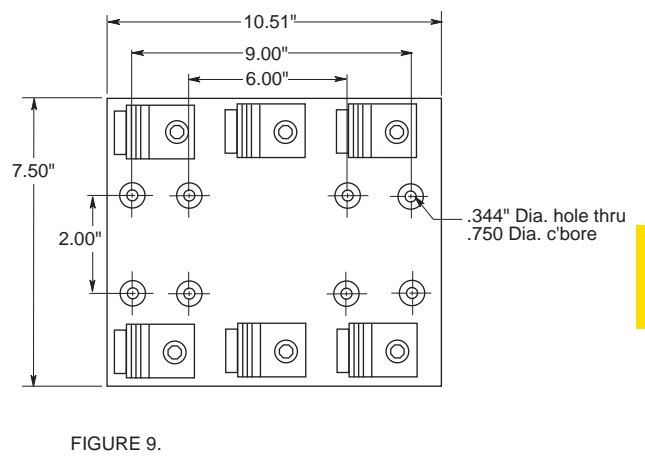


FIGURE 9.

### 401-600A

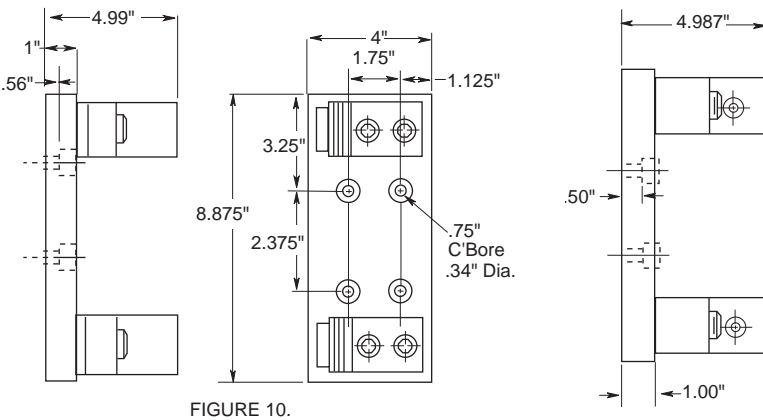


FIGURE 10.

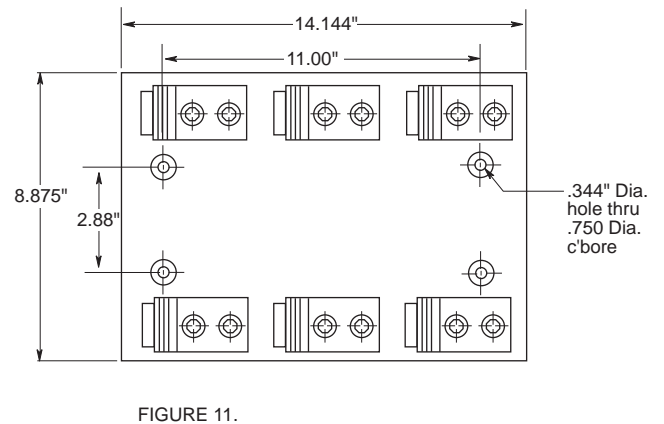


FIGURE 11.

Fuse Holders & Blocks

## Class J Fuse Blocks

### JP Series

#### Specifications

**Description:** Pyramid style 3-pole fuse block for use with Class J fuses (Cooper Bussmann® LPJ, DFJ, JKS).

**Dimensions:** See Dimensions illustrations.

#### Ratings:

- Volts: — 600Vac/dc
- Amps: — 0-30A
- SCCR: — 200kA RMS Sym.

**Agency Information:** CE, UL Listed, UL 4248, Guide IZLT, File E14853, CSA Certified, C22.2 No. 39, Class 4225-04, File 47235.

**Flammability Rating:** UL 94V0.

**Mounting:** Panel or 35mm DIN rail mount.

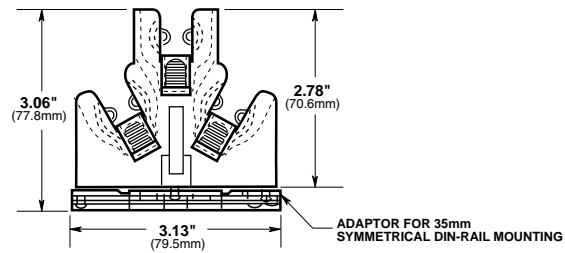
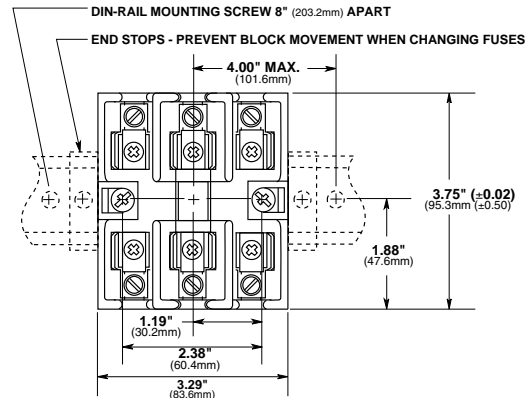
To order DIN rail: Part# NDNA 100 (1 meter) or NDNA 200 (2 meter).

#### Catalog Numbers

| Catalog Numbers | Panel | Mounting               |                            | Aluminum | Box Copper Only | Wire Range     |
|-----------------|-------|------------------------|----------------------------|----------|-----------------|----------------|
|                 |       | With DIN Rail Adapter* | Screws with Pressure Plate |          |                 |                |
| JP60030-3PR     | X     |                        | X                          |          |                 | #10-14 Cu Only |
| JP60030-3CR     | X     |                        |                            | X        |                 | #2-14 Cu/Al    |
| JP60030-3COR    | X     |                        |                            |          | X               | #2-14 Cu Only  |
| JP60030-3PRA    |       | X                      | X                          |          |                 | #10-14 Cu Only |
| JP60030-3CRA    |       | X                      |                            | X        |                 | #2-14 Cu/Al    |
| JP60030-CORA    |       | X                      |                            |          | X               | #2-14 Cu Only  |

\*Adapter only for DIN rail - Cat No. JPA-3.

#### Dimensions - in (mm) ± 0.015" (± 0.40mm)



#### Data Sheet:1108

### JA60030 Add-a-pole

#### Specifications

**Description:** Adder fuse block to achieve number of poles desired, for use with Class J fuses (Cooper Bussmann LPJ, DFJ & JKS).

**Dimensions:** See Dimensions illustrations.

#### Ratings:

- Volts: — 600Vac/dc
- Amps: — 0-30A
- SCCR: — 200kA RMS Sym.

**Agency Information:** UL Listed, UL 4248, Guide IZLT, File E14853, CSA Certified, C22.2 No. 4248, Class 6225-01, File 47235.

**Flammability Rating:** UL 94V0.

**Mounting:** Panel or 35mm DIN rail mount.

**Features:** Panel and DIN rail mount, adder block, retaining clip



#### Dimensions - in (mm)

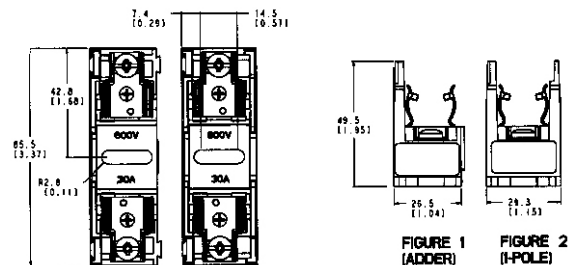


FIGURE 1 (ADDER) FIGURE 2 (I-POLE)

| Amps   | Poles | Screw      | Screw w/Retaining Clip | Pressure Plate | Pressure Plate w/Retaining Clip | Box Lug    | Box Lug w/Retaining Clip | Wire Range (Cu Only)                           |
|--------|-------|------------|------------------------|----------------|---------------------------------|------------|--------------------------|--|
| ½ - 30 | ADDER | JA60030-AS | JA60030-ASR            | JA60030-AP     | JA60030-APR                     | JA60030-AC | JA60030-ACR              | S, SR, P, PR 10 - 18 AWG<br>C, CR, 10 - 14 AWG |
|        | 1     | JA60030-1S | JA60030-1SR            | JA60030-1P     | JA60030-1PR                     | JA60030-1C | JA60030-1CR              |  |
|        | 2     | JA60030-2S | JA60030-2SR            | JA60030-2P     | JA60030-2PR                     | JA60030-2C | JA60030-2CR              |  |
|        | 3     | JA60030-3S | JA60030-3SR            | JA60030-3P     | JA60030-3PR                     | JA60030-3C | JA60030-3CR              |  |

## Class T Fuse Blocks – 300V

### T300

#### Specifications

**Description:** T300 (300V) fuse blocks for use with Class T fuses (Cooper Bussmann® JJN).

**Dimensions:** See Dimensions illustrations.

**Poles:** 1 to 4

#### Ratings:

Volts: – 300Vac/dc

Amps: – ½ - 600A

SCCR: – 200kA RMS Sym.

**Agency Information:** CE, UL Listed UL 4248, Guide IZLT, File E14853, CSA Certified, Class 6225-01, File 47235.

**Flammability Rating:** UL 94V0.

#### Features and Benefits

- Provide 1-, 2- and 3-pole housing for 300Vac Class T fuses.
- Short-Circuit Current Rating of 200kA RMS Sym.
- Class T fuse blocks have a small foot print, providing substantial space savings in equipment

#### Typical Applications

- 300Vac/dc or less Control Systems
- 300Vac/dc or less Individual Control Circuits

#### Catalog Numbers

| Catalog Numbers |            |         |       |          |                                     |
|-----------------|------------|---------|-------|----------|-------------------------------------|
| Screw           | Box Lug    | Amps    | Poles | Fig. No. | Wire Range                          |
| T30030-2SR      | T30030-2CR | ½-30    | 2     | 1        | SR #10-18 Cu<br>CR #6-14 Cu/Al      |
| T30030-3SR      | T30030-3CR |         | 3     |          |                                     |
| T30030-4SR      | T30030-4CR |         | 4     |          |                                     |
| T30060-2SR      | T30060-2CR | 31-60   | 2     | 1        | CR #2-14 Cu/Al<br>SR #10-18 Cu Only |
| T30060-3SR      | T30060-3CR |         | 3     |          |                                     |
| T30060-4SR      | T30060-4CR |         | 4     |          |                                     |
| —               | T30100-1CR | 61-100  | 1     | 2        | 1/0-8 Cu/Al                         |
| —               | T30100-2CR |         | 2     |          |                                     |
| —               | T30100-3CR |         | 3     |          |                                     |
| —               | T30200-1C  | 101-200 | 1     | 3        | 250kcmil-6 Cu/Al                    |
| —               | T30200-3C  |         | 3     | 4        |                                     |
| —               | T30400-1C  | 201-400 | 1     | 5        | 600kcmil-2/0 Cu/Al                  |
| —               | T30600-1C  | 401-600 | 1     | 6        | (2) 600kcmil-4/0 Cu/Al              |



T30100-1CR



T30030-2CR



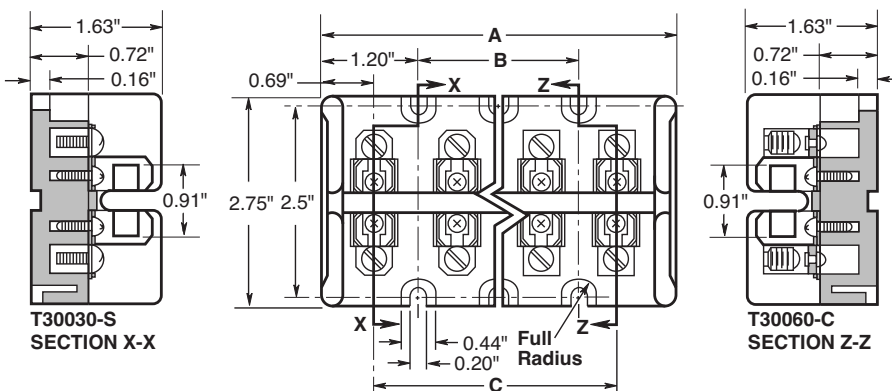
T30600-1C

#### Class T Fuse blocks (300V) Catalog Numbers

| Catalog Numbers | Dimensions (in) |      |      |
|-----------------|-----------------|------|------|
|                 | A               | B    | C    |
| T30030-2        | 2.41            | —    | 1.03 |
| T30060-2        | 2.41            | —    | 1.03 |
| T30030-3        | 3.44            | 1.03 | 2.06 |
| T30060-3        | 3.44            | 1.03 | 2.06 |
| T30030-4        | 4.47            | 2.06 | 3.09 |
| T30060-4        | 4.47            | 2.06 | 3.09 |

Fuse Holders & Blocks

#### Dimensions - in Figure 1. ½-60A



Data Sheet: 1115

# Class T Fuse Blocks – 300V

Figure 2. 61 to 100A

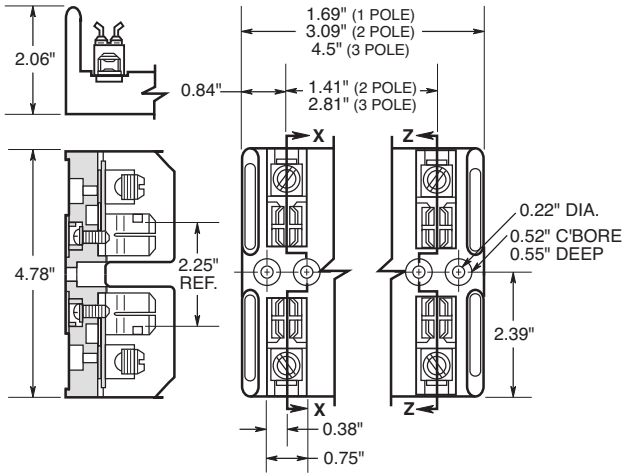


Figure 3. 101 to 200A

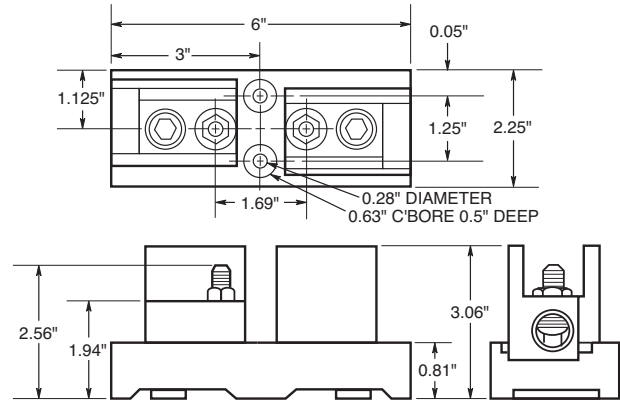


Figure 4. 200A

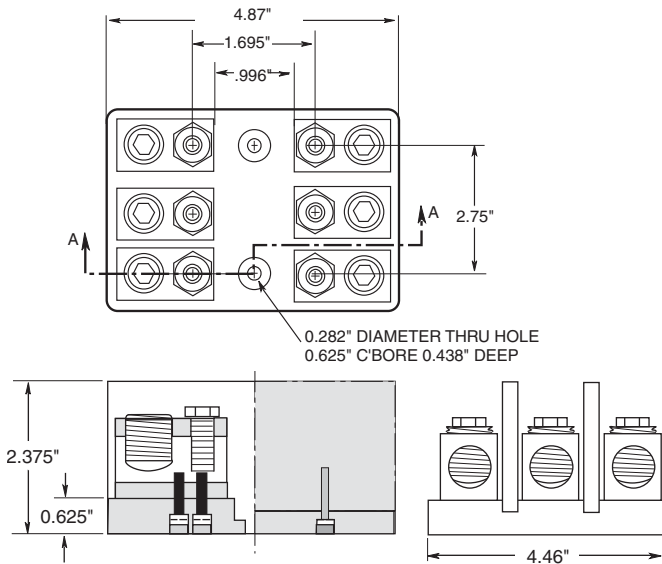


Figure 5. 201 to 400A

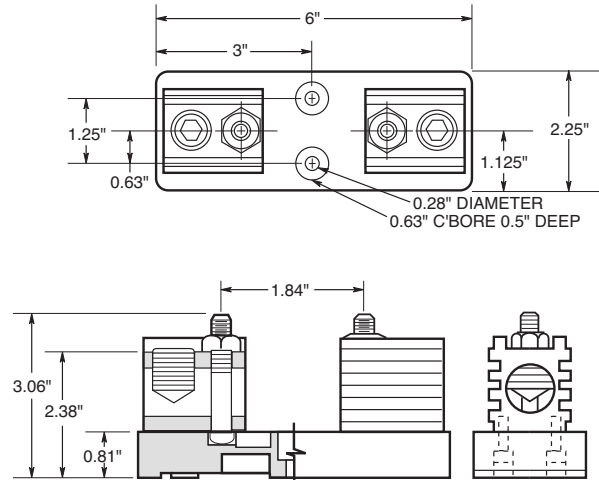
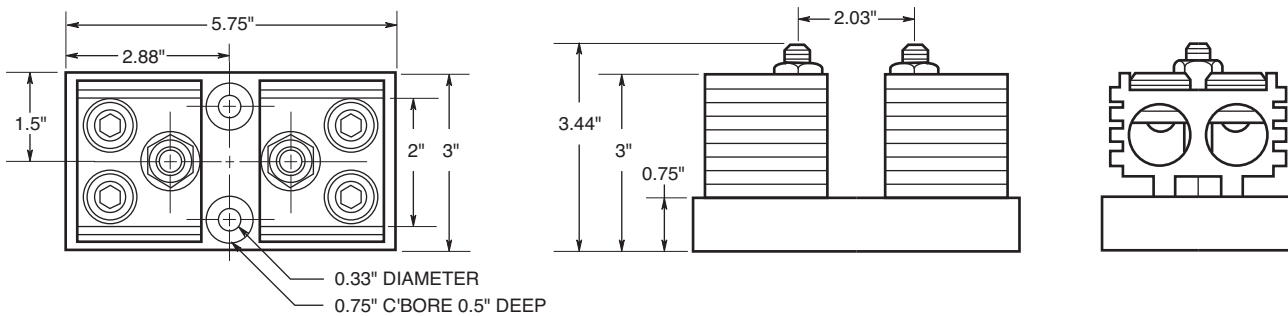


Figure 6. 401 to 600A



## Class T Fuse Blocks – 600V

### T600

#### Specifications

**Description:** T600 (600V) fuse blocks for use with Class T fuses (Cooper Bussmann® JJS).

**Dimensions:** See Dimensions illustrations.

**Poles:** 1 to 3

#### Ratings:

Volts: — 600Vac/dc

Amps: — ½ - 600A

SCCR: — 200kA RMS Sym.

**Agency Information:** CE, UL Listed UL 4248, Guide IZLT, File E14853, CSA Certified, Class 6225-01, File 47235.

**Flammability Rating:** UL 94V0.

#### Features and Benefits

- Provide 1-, 2- and 3-pole housing for 600Vac Class T fuses.
- Short-Circuit Current Rating of 200kA RMS Sym.
- Class T fuse blocks have a small foot print, providing substantial space savings in equipment

#### Typical Applications

- 600Vac/dc or less Control Systems
- 600Vac/dc or less Individual Control Circuits



T60600-1C

T30030-2CR

#### Catalog Numbers

| Catalog Numbers |            |         |            |     |                                     |
|-----------------|------------|---------|------------|-----|-------------------------------------|
| Screw           | Box Lug    | Amps    | Fig. Poles | No. | Wire Range                          |
| T60030-1SR      | T60030-1CR | ½-30    | 1          | 1   | SR #10-18 Cu<br>CR #2-14 Cu/Al      |
| T60030-2SR      | T60030-2CR |         | 2          |     |                                     |
| T60030-3SR      | T60030-3CR |         | 3          |     |                                     |
| T60060-1SR      | T60060-1CR | 31-60   | 1          | 2   | CR #2-14 Cu/Al<br>SR #10-18 Cu Only |
| T60060-2SR      | T60060-2CR |         | 2          |     |                                     |
| T60060-3SR      | T60060-3CR |         | 3          |     |                                     |
| —               | T60100-1C  | 61-100  | 1          | 3   | 2/0-14 Cu/Al                        |
| —               | T60100-2C  |         | 2          |     |                                     |
| —               | T60100-3C  |         | 3          |     |                                     |
| —               | T60200-1C  | 101-200 | 1          | 4   | 250kcmil-6 Cu/Al                    |
| —               | 1B0089*    |         | 3          |     |                                     |
| —               | T60400-1C  | 201-400 | 1          | 5   | 600kcmil-2/0 Cu/Al                  |
| —               | T60600-1C  | 401-600 | 1          | 6   | (2) 600kcmil-4/0 Cu/Al              |

\* UL Listed, Guide IZLT, File E14853, CSA Certified Class 6225-01, File 21455M18

#### Dimensions - in

Figure 1. ½ to 30A

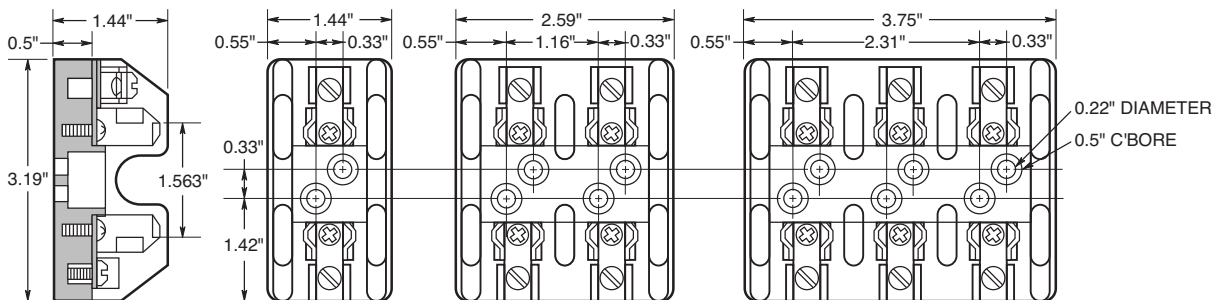
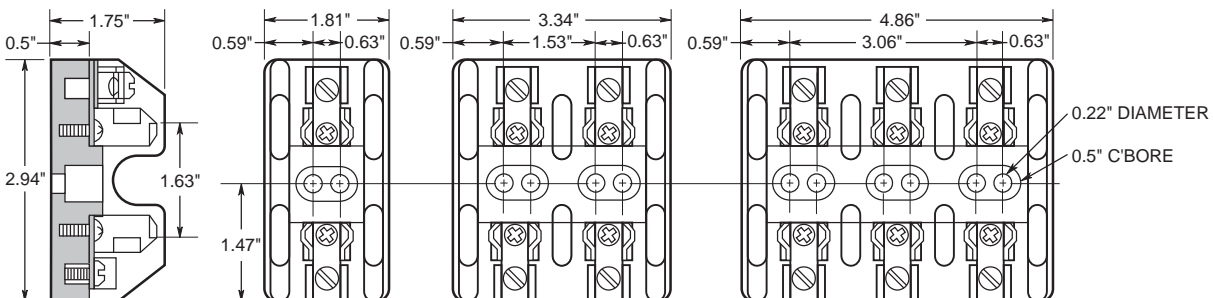


Figure 2. 31 to 60A



Data Sheet: 1116

# Class T Fuse Blocks - 600V

Figure 3. 61 to 100A

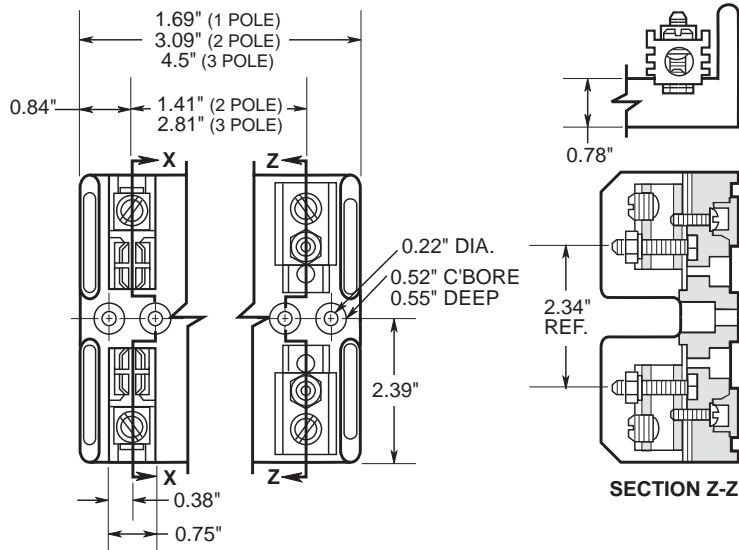


Figure 4. 101 to 200A

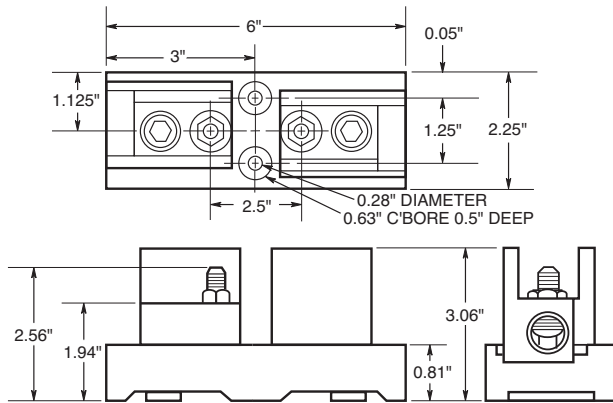


Figure 5. 201 to 400A

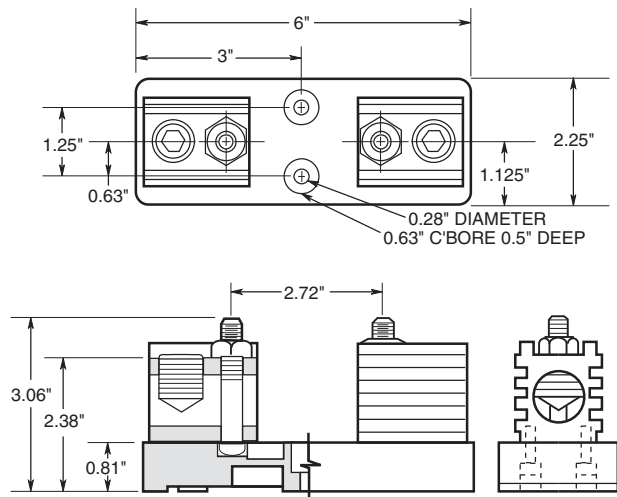
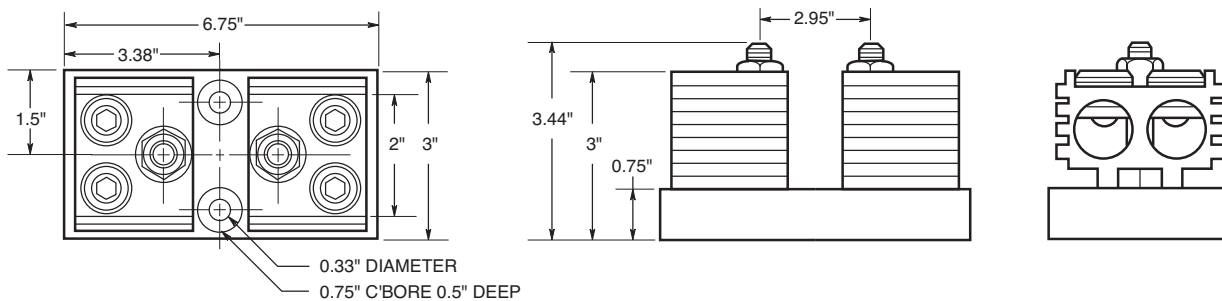


Figure 6. 401 to 600A





## Add-a-pole Fuse Blocks

### BCA Series - Class CC fuses BMA Series - 1½" X 1 ½" fuses

#### Specifications

**Description:** 1-, 2 and 3-pole fuse blocks for use with Class CC fuses (BCA Series use Cooper Bussmann® LP-CC, KTK-R, and FNQ-R), or with standard 1½" x 1 ½" fuses (BMA Series use Cooper Bussmann® KTK, FNQ, FNM, BAF, PV and AGU) Both Series use an "adder block" to form multi-pole segmented blocks to achieve the desired number of poles.

**Dimensions:** See Dimensions illustration.

**Poles:** 1 to 3.

**Wire Range:** #10-#18 Cu only.

**Terminals:** Screw/quick connect\* or pressure plate/quick connect\*.

#### Ratings:

Volts: — 600Vac/dc

Amps: — 1/0-30A

SCCR: — BCA Series:  
200kA RMS Sym.  
BMA Series:  
10kA RMS Sym.

#### Agency Information:

**BCA Series:** CE, UL Listed, UL 4248, Guide IZLT, File E14853. CSA Certified, C22.2 No. 4248, Class 6225-01, File 47235.

**BMA Series:** CE, UL Recognized, UL 4248, Guide IZLT2, File E14853. CSA Certified, C22.2 No. 4248, Class 6225-01, File 47235.

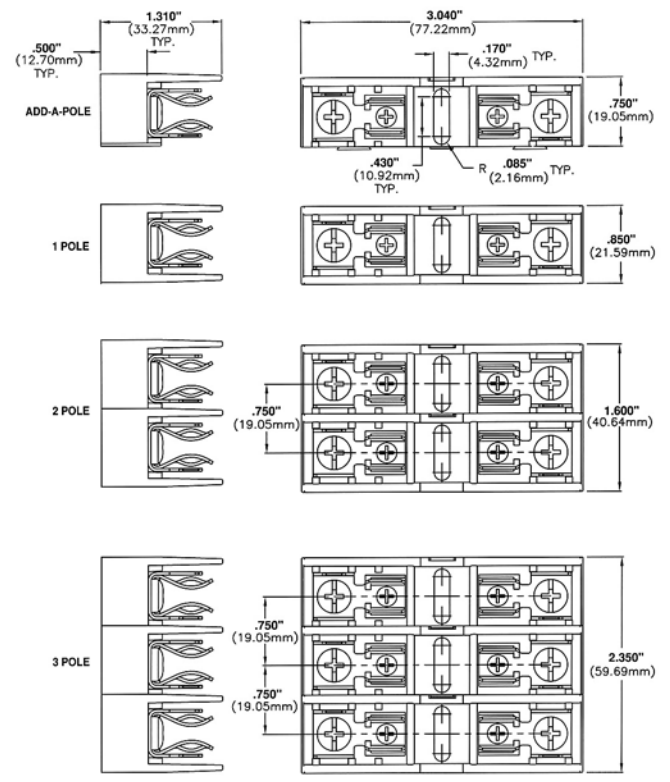
**Flammability Rating:** UL 94V0

\*Quick connect rated for 20A maximum.

#### Catalog Numbers

| BCA Series Catalog Numbers | Poles       | Terminal Type                   |
|----------------------------|-------------|---------------------------------|
| BCA603ASQ                  | Adder Block | Screw w/ quick connect          |
| BCA6031SQ                  | 1           | Screw w/ quick connect          |
| BCA6032SQ                  | 2           | Screw w/ quick connect          |
| BCA6033SQ                  | 3           | Screw w/ quick connect          |
| BCA603APQ                  | Adder Block | Pressure plate w/ quick connect |
| BCA6031PQ                  | 1           | Pressure plate w/ quick connect |
| BCA6032PQ                  | 2           | Pressure plate w/ quick connect |
| BCA6033PQ                  | 3           | Pressure plate w/ quick connect |

#### Dimensions in ± 0.015" (mm 0.38mm)



Fuse Holders & Blocks

| BMA Series Catalog Numbers | Poles       | Terminal Type                   |
|----------------------------|-------------|---------------------------------|
| BMA603ASQ                  | Adder Block | Screw w/ quick connect          |
| BMA6031SQ                  | 1           | Screw w/ quick connect          |
| BMA6032SQ                  | 2           | Screw w/ quick connect          |
| BMA6033SQ                  | 3           | Screw w/ quick connect          |
| BMA603APQ                  | Adder Block | Pressure plate w/ quick connect |
| BMA6031PQ                  | 1           | Pressure plate w/ quick connect |
| BMA6032PQ                  | 2           | Pressure plate w/ quick connect |
| BMA6033PQ                  | 3           | Pressure plate w/ quick connect |

Data Sheets: BCA Series 1154, BMA Series 1155

## Class CC, Type M and Class G Fuse Blocks

### BC Series



#### Specifications

**Description:** Class CC fuse blocks for use with Class CC fuses (Cooper Bussmann LP-CC, KTK-R, and FNQ-R).

**Dimensions:** See Data Sheet 1105

**Poles:** 1 to 3

#### Ratings:

Volts: — 600V

Amps: — 1/0-30A

SCCR: — 200kA RMS Sym.

**Agency Information:** CE, UL Listed (Guide IZLT, File E14853), CSA (Class 6225-01, File 47235)

**Flammability Rating:** UL 94V0

**DIN Rail Adapters:** See page 413 for DRA-1 & DRA-2

#### Catalog Numbers

| Screw   | Terminal Type             |                |                                  |         | Poles |
|---------|---------------------------|----------------|----------------------------------|---------|-------|
|         | Screw with Quick Connect* | Pressure Plate | Pressure Plate w/ Quick Connect* | Box Lug |       |
| BC6031S | BC6031SQ                  | BC6031P        | BC6031PQ                         | BC6031B | 1     |
| BC6032S | BC6032SQ                  | BC6032P        | BC6032PQ                         | BC6032B | 2     |
| BC6033S | BC6033SQ                  | BC6033P        | BC6033PQ                         | BC6033B | 3     |

Data Sheet: 1105

### BCCM Series

**Description:** 3-pole fuse block for use with (2) Class CC fuses and (1) 1 1/2" x 1 1/2" fuse

#### Catalog Numbers

| Catalog Numbers | Terminal Type                   |
|-----------------|---------------------------------|
| BCCM6033SQ      | Screw with Quick-Connect*       |
| BCCM6033PQ      | Pressure Plate w/Quick-Connect* |

\*Quick-connect terminal rated for 20A max.

#### Recommended Cover Puller

- PF1-WH (White)
- PF1-BK (Black)

### BM Series Type M



#### Specifications

**Description:** Supplementary fuse blocks for use with any 1 1/2" x 1 1/2" fuses (Cooper Bussmann® KTK, FNQ, FNM, BAF, PV, and AGU).

**Dimensions:** See Data Sheet 1104

**Poles:** 1 to 3

**DIN Rail Adapters:** See page 413 for DRA-1 & DRA-2

#### Ratings:

Volts: — 600Vac/dc

Amps: — 1/0-30A

SCCR: — 10kA RMS Sym.

**Agency Information:** CE, UL Recognized (Guide IZLT2, File E14853), CSA (Class 6225-01, File 47235).

**Flammability Rating:** UL 94V0.

#### Catalog Numbers

| Screw with Quick Connect* | Terminal Type                    |         | Poles |
|---------------------------|----------------------------------|---------|-------|
|                           | Pressure Plate w/ Quick Connect* | Box Lug |       |
| BM6031SQ                  | BM6031PQ                         | BM6031B | 1     |
| BM6032SQ                  | BM6032PQ                         | BM6032B | 2     |
| BM6033SQ                  | BM6033PQ                         | BM6033B | 3     |

#### Recommended Cover Puller

- PF1-WH (White)
- PF1-BK (Black)

Data Sheet: 1104

### BG & G Series



#### Specifications

**Description:** Class G fuse blocks for use with Class G fuses (Cooper Bussmann SC).

**Dimensions:** See Data Sheet 1106

**Poles:** 1 to 3

#### Ratings:

Volts: — 600Vac/dc (0-20A)

— 480Vac/dc (25-60A)

Amps: — 1-60A (See Catalog Numbers table)

SCCR: — 100kA RMS Sym.

**Agency Information:** CE, UL Listed 35-60A (Guide IZLT, File E14853), UL Recognized 1-30A, (Guide IZLT2, File E14853), CSA (Class 6225-01, File 47235).

**DIN Rail Adapters:** See page 413 for DRA-1 & DRA-2.

#### Catalog Numbers

| Screw with Quick Connect* | Terminal Type                    |         |                          |       | Amps | Poles |
|---------------------------|----------------------------------|---------|--------------------------|-------|------|-------|
|                           | Pressure Plate w/ Quick Connect* | Box Lug | Box Lug w/retaining clip |       |      |       |
| BG3011SQ                  | BG3011PQ                         | BG3011B | —                        | 1-15  | 1    |       |
| BG3012SQ                  | BG3012PQ                         | BG3012B | —                        |       | 2    |       |
| BG3013SQ                  | BG3013PQ                         | BG3013B | —                        | 20    | 3    |       |
| BG3021SQ                  | BG3021PQ                         | BG3021B | —                        |       | 1    |       |
| BG3022SQ                  | BG3022PQ                         | BG3022B | —                        | 25-30 | 2    |       |
| BG3023SQ                  | BG3023PQ                         | BG3023B | —                        |       | 3    |       |
| BG3031S                   | BG3031P                          | BG3031B | —                        | 35-60 | 1    |       |
| BG3032S                   | BG3032P                          | BG3032B | —                        |       | 2    |       |
| BG3033S                   | BG3033P                          | BG3033B | —                        |       | 3    |       |
| —                         | —                                | —       | G30060-1CR               | 35-60 | 1    |       |
| —                         | —                                | —       | G30060-2CR               |       | 2    |       |
| —                         | —                                | —       | G30060-3CR               |       | 3    |       |

#### Recommended Cover Puller

- PF1-WH (White)
- PF1-BK (Black)

Data Sheet: 1106

## Modular Fuse Blocks

### BH Series



#### Specifications

**Description:** For use with Cooper Bussmann® high speed fuses.

#### Ratings:

SCCR: — 200kA RMS Sym. or fuse IR, whichever is lower.

**Agency Information:** CE, UL Recognized, Guide EZLT2, File No. E14853 up to 700V, CSA Certified, Class 6225-01, File No. 47235 up to 700V.

#### BH Series Features and Benefits

- BH fuse blocks provide a wide range of mounting configurations for Cooper Bussmann high speed fuses.
- BH fuse blocks have a Short-Circuit Current Rating of any installed fuse up to 200kA RMS Sym.

#### Typical Applications

- Solid State Control Circuits
- VFDs
- UPS Systems

#### Catalog Numbers

|         |         |         |         |
|---------|---------|---------|---------|
| BH-0001 | BH-0122 | BH-2001 | BH-3004 |
| BH-0002 | BH-1001 | BH-2002 | BH-3033 |
| BH-0003 | BH-1002 | BH-2003 | BH-3144 |
| BH-0111 | BH-1003 | BH-2031 | BH-3145 |
| BH-0112 | BH-1131 | BH-2032 |         |
| BH-0113 | BH-1132 | BH-2033 |         |
| BH-0121 | BH-1133 | BH-3003 |         |

Refer to the data sheet numbers below for the catalog code description information.

Data Sheet: (BH-0) 1200; (BH-1) 1201; (BH-2) 1202; (BH-3) 1203

### Modular Type Fuse blocks for Class H & J Fuses



#### Specifications

**Description:** 3-Pole only, modular type fuse blocks for Class H & J fuses with standard reinforced retaining clips.

#### Ratings:

- Volts: — 250V (0-60A See Catalog Numbers table)
- 600V (35-60A See Catalog Numbers table)
- Amps: — 0-60A @ 250Vac/dc (See Catalog Numbers table)
- 35-60A@600V (See Catalog Numbers table)

SCCR: — Class J 200kA, Class H 10kA

**Agency Information:** CE, UL Recognized, Guide IZLT2, File E14853, CSA Certified, Class 6225-01, File 47235.

#### Class H & J Features and Benefits

- H & J modular fuse blocks provide three pole 30 and 60 amp ratings for specific client requirements for separate line and load fuse clip configurations.

#### Typical Applications

- Up to 60A, space confined, control circuits

| Catalog Numbers |                |            |       |      |          |
|-----------------|----------------|------------|-------|------|----------|
| Screw           | Pressure Plate | Fuse Class | Volts | Amps | Fig. No. |
| 11241-3SR*      | 11241-3PR*     | H          | 250   | 60   | 1        |
| 11242-3SR       | 11242-3PR      |            |       |      | 2        |
| 11241-3SR       | 11241-3PR      |            | 600   | 35   | 1        |
| 11242-3SR**     | 11242-3PR**    |            |       |      | 2        |
| 11239-3SR       | 11239-3PR      | J          | 600   | 60   | 1        |
| 11240-3SR**     | 11240-3PR**    |            |       |      | 2        |
| 11241-3SR       | 11241-3PR      |            | 600   | 35   | 1        |
| 11239-3SR*      | 11239-3PR*     |            |       |      | 60       |

Note: Order two blocks per fuse (matched or mixed.)

\*11239 and 11241 have wire terminals and mounting holes located under fuse. (Figure 1)

\*\*11240 and 11242 have wire terminals and mounting holes located at end of fuse. (Figure 2)



Figure 1



Figure 2

## Box Cover Units for Plug Fuses

SOU, SRU, SSN, SSU, SOW, SRW, SSW, SOX, SRX, SSX, SOY, SRY, SSY, SSY-RL, SSY-L, STY, SCY, SOY-B & SKA

### Specifications

**Description:** Box covers for standard electrical boxes that provide fused outlet, fused switch or circuit fuse protection.

### Ratings:

Volts: — 125V/250V (See Catalog Numbers table)

Amps: — 0-15A (See Catalog Numbers table)

**Agency Information:** CE, See Catalog Numbers table.

### Features/Benefits

- Cooper Bussmann® Box Cover Units provide a low-cost method of controlling and protecting small motors when used with Cooper Bussmann® Type T, Fusetron® , dual-element fuses.
- Provide low-cost supplementary protection and disconnection of 125V or less, single phase circuits.

### Typical Applications

- Fractional Horsepower, 125 Volt Single-Phase Motor Circuits
- General 125 Volt Supplemental Circuits



### Catalog Numbers

| Catalog Numbers  | Type Box      | Fuse holder <sup>3</sup> |        | Receptacle Outlet to Load |        | Switch Control <sup>1</sup> | Switch Light <sup>2</sup> | Motor Size (Max)               | General Data  | Agency <sup>4</sup> Listing/Certification |
|------------------|---------------|--------------------------|--------|---------------------------|--------|-----------------------------|---------------------------|--------------------------------|---|---|
|                  |               | Single                   | Double | 125V                      | 250V   |                             |                           |                                |   |   |
| SOU              | 2 1/4" Handy  | X                        |        |                           |        |                             |                           | 3/4hp                          | 125V, 15A   | UL, CSA                                   |
| SRU              |               | X                        |        | X                         |        |                             |                           | 1/2hp                          | 125V, 15A   | UL  |
| SSU              |               | X                        |        |                           |        | X                           |                           | 1/2hp                          | 125Vac, (do not use on dc), 15A                         | UL, CSA                                   |
| SOW              | 2 1/4" Switch | X                        |        |                           |        |                             |                           | 3/4hp                          | 125V, 15A   | UL, CSA                                   |
| SRW              |               | X                        |        | X                         |        |                             |                           | 1/2hp                          | 125V, 15A   | UL  |
| SSW              |               | X                        |        |                           |        | X                           |                           | 1/2HP                          | 125Vac, (do not use on dc), 15A                         | UL, CSA                                   |
| SOX              | 4" Octagon    | X                        |        |                           |        |                             |                           | 3/4hp                          | 125V, 15A   | UL, CSA                                   |
| SRX              |               | X                        |        | X                         |        |                             |                           | 1/2hp                          | 125V, 15A   | UL  |
| SSX              |               | X                        |        |                           |        | X                           |                           | 1/2hp                          | 125Vac, (do not use on dc), 15A                         | UL, CSA                                   |
| SOY              | 4" Square     | X                        |        |                           |        |                             |                           | 3/4hp                          | 125V, 15A   | UL, CSA                                   |
| SRY              |               | X                        |        | X                         |        |                             |                           | 1/2hp                          | 125V, 15A   | UL  |
| SSY              |               | X                        |        |                           |        | X                           |                           | 1/2hp                          | 125Vac, (do not use on dc), 15A                         | UL, CSA                                   |
| SSY-RL           |               | X                        |        | X                         |        | X                           | X                         | 1/2hp                          | 125Vac, (do not use on dc), 15A                         | —   |
| STY <sup>3</sup> |               |                          | X      |                           |        | X                           |                           | 1/2hp                          | 125Vac, (do not use on dc), 15A                         | UL  |
| SCY              |               |                          |        | X                         |        |                             | X(2)                      | 1/2hp (2)                      | 125Vac, (do not use on dc), can protect two motors, 15A | UL  |
| SOY-B            |               |                          | X      |                           |        |                             | 3/4hp                     | 125V, protects two motors, 15A | UL  |   |
| SKA              | 4 1/8" Square |                          | X      |                           | X(15A) |                             |                           | 2hp                            | 250V, 15A single phase                                  | UL  |
| SSN              | Single Gang   | X                        |        | X                         |        | X                           |                           | 1/2hp                          | Weatherproof model, 15A                                 | UL  |

<sup>1</sup> Switch turns power to fused load OFF or ON.

<sup>2</sup> Switch light indicates power to load (dark when switch OFF or fuse open).

<sup>3</sup> Double pole switch opens both sides of circuit. Can be used for two separate motors with common switch or a single motor (1/2Hp, 250Vac max.).

<sup>4</sup> UL Guide JAMZ, File IE6491; CSA Class 6225-01, File 47235.

## In-line Fuse Holders for 1/4" x 7/8" to 1 1/4" Fuses

### HFB & HFB-10



#### Specifications

**Description:** Waterproof in-line fuse holder for 1/4" x 1 1/4" fuses.

**Dimensions:** See Dimensions illustration.

**Construction:** Thermoplastic rubber body with tin-plated, copper contacts.

#### Ratings:

Volts: — 32V

Amps: — 30A max

#### Catalog Numbers

| Catalog Numbers | Description                       |
|-----------------|-----------------------------------|
| HFB*            | Standard Pack (10-in)             |
| BK/HFB          | Bulk Pack (100-in)                |
| BK/1A2294       | HFB Replacement Contact Clip      |
| 1A2294-01       | HFB-10** Replacement Contact Clip |

\*HFB accepts #12 to #18 wire leads (not provided). See Data Sheet for recommended crimp tools.

\*\*HFB-10 accepts #10 wire leads (not provided). See Data Sheet for recommended crimp tools.

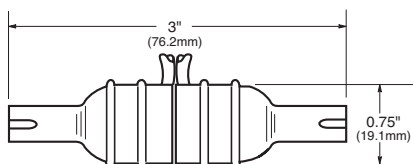
#### Features/Benefits

- Simple assembly with one-piece thermoplastic (important information molded into body)
- High visibility yellow color for easy identification in dark or hard-to-access locations
- Ideal for shock and vibration environments; withstands many organic solvents; temperature range -40/+150°C

#### Typical Applications

- Supplemental, Low Voltage, Low Amperage Control Circuits

#### Dimensions - in (mm)



Data Sheet: 2102

### HHB



#### Specifications

**Description:** Universal in-line fuse holder for 1/4" x 7/8", 1" and 1 1/4" fuses.

**Dimensions:** See Dimensions illustration.

**Construction:** Nylon body with tin-plated, copper contacts.

#### Ratings:

Volts: — 32V

Amps: — 30A max

**Flammability Rating:** UL 94V2.

**Pull Force:** 5lbs minimum to separate fuse holder housing with fuse installed.

#### Features and Benefits

- HHB Universal in-line fuse holder for 1/4" x 7/8", 1" and 1 1/4" fuses.

#### Typical Applications

- Supplemental, Low Voltage, Low Amperage Control Circuits

#### Catalog Numbers

Holder — without leads\* - RoHS compliant

| Catalog Numbers | Description           |
|-----------------|-----------------------|
| HHB-R           | Standard Pack (10-in) |
| BK/HHB-R        | Bulk Pack (100-in)    |

\*Accepts #12 to #16 wire leads (not provided with basic fuse holder). See Data Sheet for recommended crimp tools.

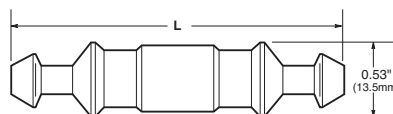
Holder — with pre-attached #14 Insulated lead wires - Not RoHS compliant unless noted

| Catalog Numbers | 19" Length    | 8" Length | Wire Color |
|-----------------|---------------|-----------|------------|
| BK/HHB-Y419     | BK/HHB-Y408   | Yellow    |            |
| BK/HHB-R419     | BK/HHB-R408** | Red       |            |
| BK/HHB-B419     | BK/HHB-B408   | Black     |            |

\*\*RoHS compliant.

#### Dimensions - in (mm)

| Fuse Length       | Fuse Holder Length "L" |
|-------------------|------------------------|
| 7/8" (AGW)        | 2.100 Max              |
| 1" (AGX)          | 2.250 Max              |
| 1 1/4" (AGC, MDL) | 2.420 Max              |



Data Sheet: 2103

### HRK



#### Specifications

**Description:** Universal in-line fuse holder for 1/4" x 7/8" to 1 1/4" fuses.

**Dimensions:** See Dimensions illustration.

**Construction:** 8" (203mm) #14 lead wires.

#### Ratings:

Volts: — 32V

Amps: — 15A max

#### Features and Benefits

- HRK Universal in-line fuse holder for 1/4" x 7/8", 1" and 1 1/4" fuses with #14 lead wires.
- RoHS compliant

#### Typical Applications

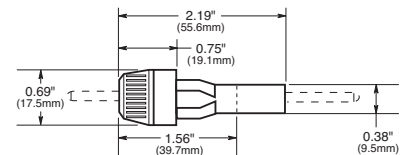
- Supplemental, Low Voltage, Low Amperage Control Circuits

#### Catalog Number

| Catalog Number | Amp | Volts | Fuse Description                          |
|----------------|-----|-------|---|
| HRK-R*         | 15  | 32    | 1/4" diameter fuses of different lengths. |

\*Three springs furnished with fuse holder to accommodate different length 1/4" fuses.

#### Dimensions - in (mm)



Data Sheet: 2111

## In-line Fuse Holders

### HR and HM Series

#### Specifications

**Description:** In-line fuse holders for SFE and 1/4" dia. x various length fuses.

**Dimensions:** See Dimensions illustration.

#### Ratings:

Volts: — 32V

Amps: — 20A

#### Features and Benefits

- HR and HM Universal in-line fuse holder for SFE and various length 1/4" diameter fuses with #14 lead wires.

#### Typical Applications

- Supplemental, Low Voltage, Low Amperage Control Circuits

#### Catalog Numbers

| Catalog Numbers | Includes Fuse | Wire Length & Size |
|-----------------|---------------|--------------------|
| HRJ*            | SFE-20        | 19" of #14         |
| HRI             | SFE-14        |                    |
| HRH             | SFE-9         |                    |
| HRE             | SFE-7½        |                    |
| HRG             | SFE-6         |                    |
| HRF             | SFE-4         |                    |
| HMJ**           | SFE-20        | 8" of #14          |
| HMI             | SFE-14        |                    |
| HMH             | SFE-9         |                    |
| HME             | SFE-7½        |                    |
| HMG             | SFE-6         |                    |
| HMF             | SFE-4         |                    |

\* Also available as in-line fuse holder only with lead wire contacts, HRJ-LESS-Fuse.

\*\* Also available as in-line fuse holder only with lead wire contacts, HMJ-LESS-Fuse.

HHJ-A For 1/4" x 1 1/4" fuse, no wire or fuse included, accepts #18 - #22 wire.

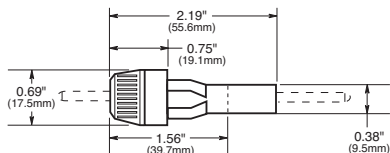
HHJ-B For 1/4" x 1 1/4" fuse, no wire or fuse included, accepts #12 - #16 wire.

HHI-B For 1/4" x 1 1/2" fuse, no wire or fuse included, accepts #12 - #16 wire.

#### Replacement Contacts

| Catalog Number | Symbol |
|----------------|--------|
| 9838           | HHJ-A  |
| 9841           | HHJ-B  |

#### Dimensions - in (mm)



Data Sheet: 2122

### HFA Series



#### Specifications

**Description:** In-line water-resistant fuse holders for 1/4" x 1 1/4" fuses.

**Dimensions:** See Dimensions illustration.

**Construction:** Phenolic body with copper crimp contact leads.

#### Ratings:

Volts: — 250V

Amps: — 20A

**Agency Information:** CE, UL Recognized, (Guide IZLT2, File E14853) UL.

**Flammability Rating:** UL 94HB.

#### Features and Benefits

- HFA in-line, water-resistant fuse holder for 1/4" x 1 1/4" fuses.

#### Typical Applications

- Supplemental, Low Voltage, Low Amperage Control Circuits

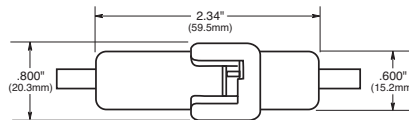
Refer to data sheet for recommend crimp tools

#### Catalog Numbers

| Catalog Numbers | Terminals          |
|-----------------|--------------------|
| HFA             | Crimp #12 - #16    |
| HFA-HH*         | 1/4" Quick Connect |

\*No UL Recognition.

#### Dimensions - in (mm)



Data Sheet: 2115

### HHT Series



#### Specifications

**Description:** In-line fuse holders for 5 x 15mm or 5 x 20mm fuses.

**Dimensions:** See Dimensions illustration.

**Construction:** Black thermoplastic body with brass contacts, wire: 16 AWG, red.

#### Ratings:

Volts: — 32V

Amps: — 5A (5 x 15mm)  
 — 10A (5 x 20mm)

#### Features and Benefits

- HHT in-line fuse holders for 5 x 15mm and 5 x 20 mm fuses.

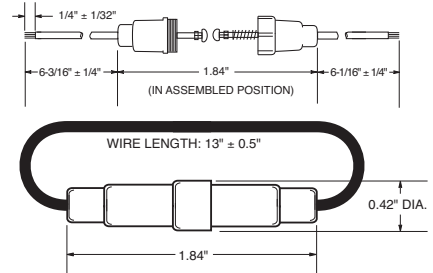
#### Typical Applications

- Supplemental, Low Voltage, Low Amperage Control Circuits

#### Catalog Numbers

| Catalog Number | Fuse Size           |
|----------------|---------------------|
| HHT            | 5 x 15mm & 5 x 20mm |

#### Dimensions - in



Data Sheet: 2138

## Tron™ In-line Fuse Holders

### HEG Series



#### Specifications

**Description:** Single-pole, non-breakaway, in-line fuse holders for Type SC fuses, 480V (or less).

#### Ratings:

Volts: — 600V  
Amps: — 0-15A  
Fuse Size:  $\frac{1}{32}$ " x 1.31"

**Catalog Number**  
HEG-AA

**Optional Boots:**  
2A0660 Single Conductor  
2A0661 Two Conductor

Data Sheet: 2124

### HEH Series



#### Specifications

**Description:** Single-pole, non-breakaway, in-line fuse holders for Type SC fuses (Also fuse types BBS & KTQ, nominal size  $\frac{1}{32}$ " x 1  $\frac{5}{16}$ ").

#### Ratings:

Volts: — 600V  
Amps: — 0-20A  
**Agency Information:** CSA - 15A.

**Catalog Numbers**  
HEH-AA, HEH-AD

**Optional Boots:**  
2A0660 Single Conductor  
2A0661 Two Conductor

Data Sheet: 2124

### HEC Series



#### Specifications

**Description:** Single-pole, non-breakaway, in-line fuse holders for Type SC-25, & SC-30 fuses, size  $\frac{1}{32}$ " x 1  $\frac{5}{16}$ ".

#### Ratings:

Volts: — 480V  
Amps: — 0-30A

**Catalog Numbers**  
HEC-AA, HEC-RW-RLB-R

**Optional Boots:**  
2A0660 Single Conductor  
2A0661 Two Conductor

Data Sheet: 2124

### HEJ Series



#### Specifications

**Description:** Single-pole, non-breakaway, in-line fuse holders for Type SC and Type HVW fuses, size  $\frac{1}{32}$ " x 2  $\frac{1}{4}$ ".

#### Ratings:

Volts: — 480V  
Amps: — 35-60A Type SC  
—  $\frac{1}{2}$ -6A Type HVW

**Catalog Numbers**  
HEJ-AA, HEJ-AB, HEJ-AC, HEJ-BB, HEJ-JJ, HEJ-JK, HEJ-LL, HEJ-LLB, HEJ-CC, HEJ-DD, HEJ-WW, HEJ-PP, HEJ-QQ

**Optional Boots:**  
2A0660 Single Conductor  
2A0661 Two Conductor

Data Sheet: 2123

### HEB Series



#### Specifications

**Description:** Single-pole in-line fuse holders for any  $\frac{1}{32}$ " x 1  $\frac{1}{2}$ " fuses (typically fuse types: BAF, FNM, FNQ, and KTK  $\frac{1}{10}$  - 30A).

#### Ratings:

Volts: — 600V  
Amps: — 0-30A

**Catalog Numbers**  
See Page 280

Data Sheet: 2127

### HET Series



#### Specifications

**Description:** Single-pole in-line fuse holders for  $\frac{1}{32}$ " x 1  $\frac{1}{2}$ " fuses with a permanently solid neutral identified by white plastic coupling nut.

**Catalog Numbers**  
HET-AA, HET-AB, HET-AW, HET-AW-RLC-A, HET-AW-RLC-B, HET-AW-RLC-C, HET-AW-RLC-J, HET-AW-RYC, HET-BB, HET-BW-RLC-B, HET-BW-RYC, HET-JJ, HET-JK, HET-JW, HET-JW-RLC-J, HET-JW-RYC, HET-KK

Data Sheet: 2125

### HEY Series



#### Specifications

**Description:** Double-pole in-line fuse holders for KTK-R fuses with optional breakaway receptacle, polarized, and accepting Class CC branch circuit fuses (Cooper Bussmann® KTK-R, FNQ-R & LP-CC; 600V or less, 200,000A IR).

#### Ratings:

Volts: — 600V  
Amps: — 0-30A

**Catalog Numbers**  
HEY-AA, HEY-AB, HEY-AC, HEY-AD, HEY-AE, HEY-AL, HEY-AW-DRLC-A, HEY-AW-DRLC-B, HEY-AW-DRYC, HEY-BB, HEY-JJ

Data Sheet: 2126

### HEX Series



#### Specifications

**Description:** Double-pole in-line fuse holders for  $\frac{1}{32}$ " x 1  $\frac{1}{2}$ " fuses (typically fuse types BAF, FNM, FNQ, and KTK  $\frac{1}{10}$  - 30A).

#### Ratings:

Volts: — 600V  
Amps: — 0-30A

**Catalog Numbers**  
HEX-AA, HEX-AB, HEX-AC, HEX-AD, HEX-AE, HEX-AW, HEX-AW-DRLC-A, HEX-AW-DRYC, HEX-AW-RLC-A, HEX-AW-RYC, HEX-AY, HEX-BB, HEX-CC, HEX-JJ, HEX-JK, HEX-JW-DRYC, HEX-KK

Data Sheet: 2126

Fuse Holders & Blocks

## For HEB Holders Only

Directions: To select complete holder P/N, work from left to right starting with loadside terminal options and then lineside terminal options. Then determine breakaway or non-breakaway style.

| Loadside Terminal                     |            |                           |           |               | Lineside Terminal                     |            |                           |           |               | Available P/N's                           |   |
|---------------------------------------|------------|---------------------------|-----------|---------------|---------------------------------------|------------|---------------------------|-----------|---------------|---|---|
| Terminal Type                         | Wire Size  | No. of Wires per Terminal | Sold Wire | Stranded Wire | Terminal Type                         | Wire Size  | No. of Wires per Terminal | Sold Wire | Stranded Wire | Non-Breakaway P/N<br>(Boots not included) | Breakaway P/N<br>(Boots included)             |
| Copper Crimp                          | #12 to #8  | 1                         | Y         | Y             | Copper Crimp                          | #12 to #8  | 1                         | Y         | Y             | HEB-AA <sup>(1)(2)</sup> <sub>(3)</sub>   | HEB-AW-RLC-A <sup>(1)(2)</sup> <sub>(3)</sub> |
| Copper Crimp                          | #12        | 2                         | Y         | Y             | Copper Crimp                          | #6         | 1                         | Y         | Y             | HEB-AB <sup>(2)</sup>                     | HEB-AW-RLC-B                                  |
| Copper Crimp                          | #12 to #8  | 1                         | Y         | Y             | Copper Crimp                          | #10        | 2                         | Y         | Y             | HEB-AC <sup>(2)</sup>                     | HEB-AW-RLC-C <sup>(4)</sup>                   |
| Copper Crimp                          | #12        | 2                         | Y         | Y             | Copper Crimp                          | #4         | 1                         | N         | Y             | HEB-AD <sup>(2)</sup>                     | N/A   |
| Copper Crimp                          | #12 to #8  | 1                         | Y         | Y             | Copper Crimp                          | #8         | 2                         | Y         | Y             | HEB-AE <sup>(2)</sup>                     | N/A   |
| Copper Crimp                          | #12        | 2                         | Y         | Y             | Copper Crimp                          | #2         | 1                         | N         | Y             | HEB-AJ                                    | HEB-AW-RLC-J                                  |
| Copper Crimp                          | #12        | 2                         | Y         | Y             | Copper Crimp                          | #6         | 2                         | Y         | Y             | HEB-AK                                    | HEB-AW-RYC                                    |
| Copper Crimp                          | #12 to #8  | 1                         | Y         | Y             | Copper Crimp                          | 2/0        | 1                         | N         | Y             | HEB-AL                                    | HEB-AW-RLA                                    |
| Copper Crimp                          | #12        | 2                         | Y         | Y             | Copper Crimp                          | #3         | 2                         | N         | Y             | HEB-AY                                    | HEB-AW-RYA                                    |
| Copper Crimp                          | #12 to #8  | 1                         | Y         | Y             | Copper Setscrew                       | #12 to #3  | 1                         | Y         | Y             | HEB-AR                                    | N/A   |
| Copper Crimp                          | #12        | 2                         | Y         | Y             | Copper Setscrew                       | #12 to #3  | 2                         | Y         | Y             | HEB-BA <sup>(2)</sup>                     | HEB-BW-RLC-A                                  |
| Copper Crimp                          | #12 to #8  | 1                         | Y         | Y             | Aluminum Setscrew                     | #12 to #2  | 1                         | Y         | Y             | HEB-BB <sup>(2)</sup>                     | HEB-BW-RLC-B                                  |
| Copper Crimp                          | #12        | 2                         | Y         | Y             | Aluminum Setscrew                     | #12 to #2  | 2                         | Y         | Y             | HEB-BC <sup>(2)</sup>                     | N/A   |
| Copper Crimp                          | #12 to #8  | 1                         | Y         | Y             | Aluminum Crimp                        | #1, #2     | 1                         | N         | Y             | HEB-BD <sup>(2)</sup>                     | N/A   |
| Copper Crimp                          | #12        | 2                         | Y         | Y             | Copper Crimp                          | #12 to #8  | 1                         | Y         | Y             | HEB-CC <sup>(2)</sup>                     | N/A   |
| Copper Crimp                          | #6         | 1                         | Y         | Y             | Copper Crimp                          | #10        | 2                         | Y         | Y             | HEB-DD <sup>(2)</sup>                     | N/A   |
| Copper Crimp                          | #10        | 2                         | Y         | Y             | Copper Crimp                          | #6         | 1                         | Y         | Y             | HEB-ZA                                    | N/A   |
| Copper Crimp                          | #6         | 1                         | Y         | Y             | Copper Crimp                          | #10        | 2                         | Y         | Y             | HEB-JJ                                    | HEB-JW-RLC-J                                  |
| Copper Crimp                          | #10        | 2                         | Y         | Y             | Copper Crimp                          | #4         | 1                         | N         | Y             | HEB-JK                                    | HEB-JW-RYC                                    |
| Copper Crimp                          | #6         | 1                         | Y         | Y             | Copper Crimp                          | #8         | 2                         | Y         | Y             | HEB-JL                                    | N/A   |
| Copper Crimp                          | #10        | 2                         | Y         | Y             | Copper Crimp                          | #2         | 1                         | N         | Y             | HEB-JY                                    | N/A   |
| Copper Crimp                          | #6         | 1                         | Y         | Y             | Copper Crimp                          | #6         | 2                         | Y         | Y             | HEB-LL                                    | HEB-LW-RLA                                    |
| Copper Crimp                          | #10        | 2                         | Y         | Y             | Copper Crimp                          | #4         | 1                         | N         | Y             | HEB-NN                                    | N/A   |
| Copper Crimp                          | #4         | 1                         | N         | Y             | Copper Crimp                          | #8         | 2                         | Y         | Y             | HEB-PP <sup>(2)</sup>                     | N/A   |
| Copper Crimp                          | #8         | 2                         | Y         | Y             | Copper Crimp                          | #2         | 1                         | N         | Y             | HEB-QQ <sup>(2)</sup>                     | N/A   |
| Copper Crimp                          | #2         | 1                         | N         | Y             | Copper Crimp                          | #6         | 2                         | Y         | Y             | HEB-RR <sup>(2)</sup>                     | N/A   |
| Copper Crimp                          | #6         | 2                         | Y         | Y             | Copper Crimp                          | #2         | 1                         | Y         | N             | HEB-TT <sup>(2)</sup>                     | N/A   |
| Copper Crimp                          | #20, #18   | 1                         | Y         | Y             | Copper Crimp                          | #12 to #8  | 1                         | Y         | Y             | HEB-SS                                    | N/A   |
| Copper Crimp                          | #12 to #3  | 1                         | Y         | Y             | Copper Crimp                          | #12        | 2                         | Y         | Y             |   |   |
| Copper Setscrew                       | #12 to #3  | 1                         | Y         | Y             | Copper Setscrew                       | #12 to #3  | 1                         | Y         | Y             |   |   |
| Copper Setscrew                       | #12 to #3  | 1                         | Y         | Y             | Copper Setscrew                       | #12 to #3  | 2                         | Y         | Y             |   |   |
| Copper Setscrew                       | #12 to #3  | 1                         | Y         | Y             | Aluminum Setscrew                     | #12 to #2  | 1                         | Y         | Y             |   |   |
| Copper Setscrew                       | #12 to #3  | 1                         | Y         | Y             | Aluminum Setscrew                     | #12 to #2  | 2                         | Y         | Y             |   |   |
| Aluminum Setscrew                     | #12 to #2  | 1                         | Y         | Y             | Aluminum Setscrew                     | #12 to #2  | 1                         | Y         | Y             |   |   |
| Aluminum Crimp                        | #8         | 1                         | N         | Y             | Aluminum Crimp                        | #8         | 1                         | N         | Y             |   |   |
| Aluminum Crimp                        | #6         | 1                         | Y         | N             | Aluminum Crimp                        | #6         | 1                         | Y         | N             |   |   |
| Aluminum Crimp                        | #6         | 1                         | N         | Y             | Aluminum Crimp                        | #6         | 1                         | N         | Y             |   |   |
| Aluminum Crimp                        | #4         | 1                         | Y         | N             | Aluminum Crimp                        | #4         | 1                         | Y         | N             |   |   |
| Aluminum Crimp                        | #3, #4     | 1                         | N         | Y             | Aluminum Crimp                        | #3, #4     | 1                         | N         | Y             |   |   |
| Aluminum Crimp                        | #2         | 1                         | Y         | N             | Aluminum Crimp                        | #2         | 1                         | Y         | N             |   |   |
| Aluminum Crimp                        | #1, #2     | 1                         | N         | Y             | Aluminum Crimp                        | #1, #2     | 1                         | N         | Y             |   |   |
| Aluminum Crimp                        | 1/0        | 1                         | N         | Y             | Aluminum Crimp                        | 1/0        | 1                         | N         | Y             |   |   |
| Solid Terminal for aluminum connector | #8 to #12  | 1                         | Y         | N             | Solid Terminal for aluminum connector | #8 to #12  | 1                         | Y         | N             |   |   |
| Solid Terminal for aluminum connector | #10 to #14 | 1                         | N         | Y             | Solid Terminal for aluminum connector | #10 to #14 | 1                         | N         | Y             |   |   |

(1) UL Recognized, Guide IZLT2, File E14853

(2) CSA Certified, Class 6225-01, File 47235

(3) CE

(4) HEB-AW-RLC-C is for (1) #4 stranded wire only.

Insulating boots for single conductor-2A0660

Dual conductor-2A0661

Contact your local Cooper Bussmann representative for other possible terminations not listed.



## Panel Mounted Fuse Holders for 5 x 20mm Fuses

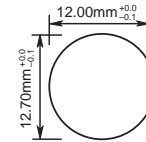
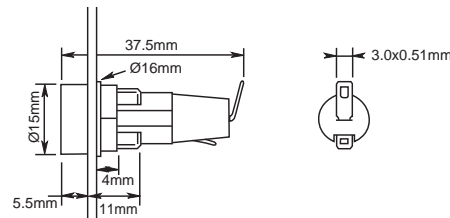
### HTC-35M

**Ratings:**

Volts: — 250Vac

Amps: — 10A UL, 6.3A VDE

**Fuse Access:** Threaded cap



**Data Sheet:** 2110

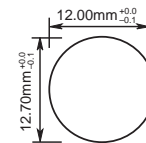
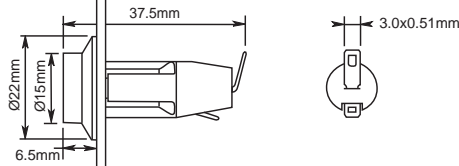
### HTC-40M

**Ratings:**

Volts: — 250Vac

Amps: — 10A UL, 6.3A VDE

**Fuse Access:** Screwdriver slot



**Data Sheet:** 2110

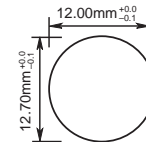
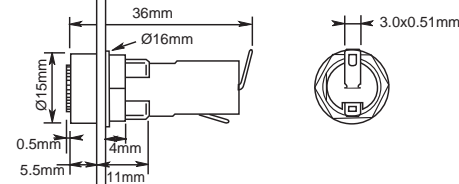
### HTC-55M

**Ratings:**

Volts: — 250Vac

Amps: — 10A UL, 6.3A VDE

**Fuse Carrier:** Bayonet type



**Data Sheet:** 2110

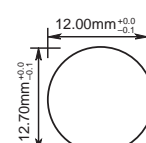
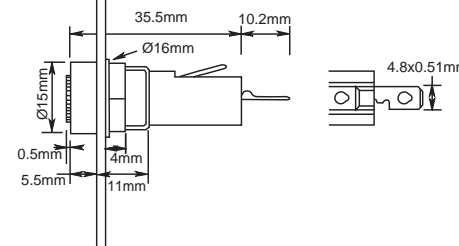
### HTC-70M

**Ratings:**

Volts: — 250Vac

Amps: — 10A UL, 6.3A VDE

**Fuse Carrier:** Bayonet type



**Data Sheet:** 2110

Fuse Holders & Blocks

**Specifications**

- Terminals:** Tin-plated brass.
- Molded Materials:** High temperature thermoplastic that meets the flammability ratings of UL 94V0; Glow Wire Test: 960°C per IEC 60695-2-1.
- Solderability:** In accordance with IEC 68-2-20.
- Agency Information:** cURus, VDE
- Electrical:** Contact Resistance: ≤ 10 megohm; Insulation Resistance: ≥ 10MΩ; Dielectric Strength ≥ 2000Vac.
- Shock Safety:** PC2 (fuse holders).
- Packaging:** Standard Qty 10 (No Prefix), Bulk Qty 100 (Prefix Catalog Number with BK/).

## Panel Mounted Fuse Holders for 1/4" x 1 1/4" Fuses

### HKP, HKP-L, HKP-W



#### Specifications

**Description:** Standard fuse holders.

**Dimensions:** See Dimensions illustration.

#### Ratings:

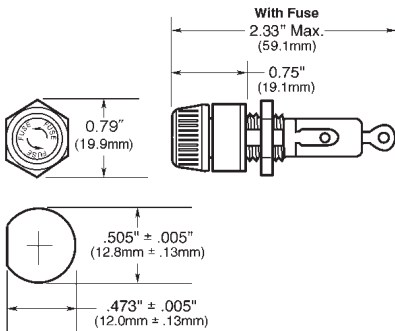
Volts: — 250V

Amps: — 30A

#### Catalog Numbers

| Catalog Numbers | Fuse Description               |
|-----------------|--------------------------------|
| HKP             | —                              |
| HKP-L           | HKP w/ 2250V stand-off barrier |
| HKP-W           | HKP w/ drip-proof knob         |

#### Dimensions - in (mm)



Data Sheet: 2106

### HKP-BBHH, HKP-HH and HKP-LW-HH



#### Specifications

**Description:** Fuse holders with 1/4" quick-connects.

**Dimensions:** See Dimensions illustration.

#### Ratings:

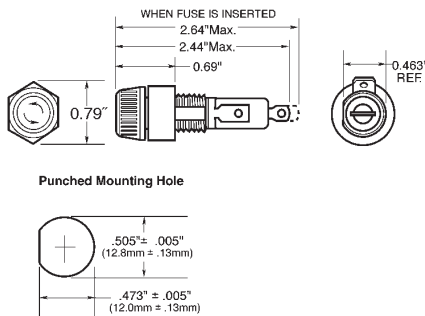
Volts: — 250V

Amps: — 15A

#### Catalog Numbers

| Catalog Numbers | Fuse Description   |
|-----------------|--|
| HKP-BBHH        | HKP w/ 1/4" quick-connects, nut and washer assembled.                    |
| HKP-HH          | HKP w/ 1/4" quick-connect.   |
| HKP-LW-HH       | HKP w/ drip-proof knob, 2250V stand-off barrier and 1/4" quick-connects. |

#### Dimensions - in (mm)



Data Sheet: 2106

### HKP-OO



#### Specifications

**Description:** Snap-lock fuse holders.

**Dimensions:** See Dimensions illustration.

#### Ratings:

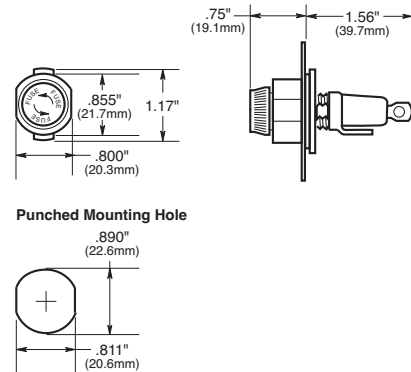
Volts: — 250V

Amps: — 30A

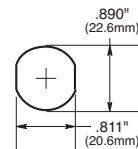
#### Catalog Numbers

| Catalog Number | Fuse Description   |
|----------------|--------------------|
| HKP-OO         | HKP with snap-lock |

#### Dimensions - in (mm)



#### Punched Mounting Hole



Data Sheet: 2106

### Specifications

**Terminals:** Bayonet-type knob.  
Vibration resistant.  
For panels up to 5/16" (7.9mm) thick.

**Agency Information:** CE (HKP, HKP-L, HKP-W, HKP-OO), UL Recognized — Guide IZLT2, File E14853, CSA Certified — Class 6225-01, File 47235

**Replacement Parts:** Cap: 9435-1/2  
Plastic Nut: BK/1A4287 (100 pieces minimum)  
Metal Nut: BK/1A4806-2 (100 pieces minimum)  
Washer: 9732

## Panel Mounted Fuse Holders for 5 x 20mm and 1/4" x 1 1/4" Fuses

### HTB Series

#### Specifications

**Description:** Fuse holders with knob-type carriers.

**Dimensions:** See Dimensions illustrations.

**Construction:** High temperature, flame retardant thermoplastic; UL Component Recognized; UL 94V0; mounting nut, spacer-black polycarbonate. Terminals: tin-plated brass.

**Electrical Data:** Insulation resistance (per IEC #257) — 10,000 ohms @ 500Vdc; contact resistance (per IEC #257) — 0.005 ohms Max @ 1A; standoff voltage (per IEC #257) — 480V/Mil @ 0.125" thickness.

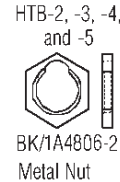
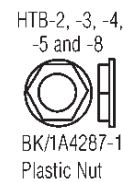
**Agency Information:** CE, UL Recognized — Guide IZLT2, File E14853, 1/4" dia fuse @ 20A, 5mm dia fuse @ 16A @ 250V, CSA — 16A @ 250V Class 6225-01 File 47235; VDE Certified: 136128, HTB-XXM, SEMKO Certification: Ref. #0146149/01, HTB-XXM.

**Mounting:** Withstands 15 to 20 Lb-In torque to mounting nut when mounting fuse holder to panel.

**Environmental:** Maximum operating temperature -55°C to 85°C.



#### Replacement Parts



#### Dimensional Data - in (mm)

| Knob Type Carrier   | Maximum Panel Thickness | Terminal Options               |           |                    |           | Carrier Options                      |                                 |
|---|-------------------------|--------------------------------|-----------|--------------------|-----------|--------------------------------------|---------------------------------|
|   |                         | Solder/<br>3/16" Quick-Connect |           | 1/4" Quick-Connect |           | 1/4" x 1 1/4"<br>("I" Equals Inches) | 5 x 20mm<br>("M" Equals Metric) |
|   |                         | In-Line                        | Rt. Angle | In-Line            | Rt. Angle | Knob                                 | Knob                            |
| Common Dimensions:<br>Length (Knob Type) - 1.69"<br>(42.9mm) Plus In-Line Terminal<br>NOTE: Plus In-Line Terminal<br> | 0.30"                   | HTB-22I-R                      | HTB-24I-R | HTB-26I-R          | HTB-28I-R | X                                    |                                 |
|   | 7.62mm                  | HTB-22M-R                      | HTB-24M-R | HTB-26M-R          | HTB-28M-R |                                      | X                               |
|   | 0.125"                  | HTB-42I-R                      | HTB-44I-R | HTB-46I-R          | HTB-48I-R | X                                    |                                 |
|   | 3.18mm                  | HTB-42M-R                      | HTB-44M-R | HTB-46M-R          | HTB-48M-R |                                      | X                               |
|   | 0.30"                   | HTB-62I-R                      | HTB-64I-R | HTB-66I-R          | HTB-68I-R | X                                    |                                 |
|   | 7.62mm                  | HTB-62M-R                      | HTB-64M-R | HTB-66M-R          | HTB-68M-R |                                      | X                               |
|   | 0.125"                  | HTB-82I-R                      | HTB-84I-R | HTB-86I-R          | HTB-88I-R | X                                    |                                 |
|   | 3.18mm                  | HTB-82M-R                      | HTB-84M-R | HTB-86M-R          | HTB-88M-R |                                      | X                               |

Fuse holders and fuse carriers may be ordered separately.

Data Sheet: 2119

## Panel Mounted Fuse Holders for 5 x 20mm and 1/4" x 1 1/4" Fuses

### HTB Series



#### Dimensional Data - in (mm)

| Screwdriver Type Carrier   | Maximum Panel Thickness | Terminal Options               |           |                    |           | Carrier Options                      |                                 |
|--|-------------------------|--------------------------------|-----------|--------------------|-----------|--------------------------------------|---------------------------------|
|  |                         | Solder/<br>3/16" Quick-Connect |           | 1/4" Quick-Connect |           | 1/4" x 1 1/4"<br>("I" Equals Inches) | 5 x 20mm<br>("M" Equals Metric) |
|  |                         | In-Line                        | Rt. Angle | In-Line            | Rt. Angle | Screwdriver                          | Screwdriver                     |
| Common Dimensions:<br>(Screwdriver Slotted)<br>1.75" (44.5mm)<br>NOTE: Plus In-Line Terminal |                         |                                |           |                    |           |                                      |                                 |
| <br>HTB-3  | 0.30"<br>7.62mm         | HTB-32I-R                      | HTB-34I-R | HTB-36I-R          | HTB-38I-R | X                                    |                                 |
| <br>HTB-5  | 0.125"<br>3.18mm        | HTB-52I-R                      | HTB-54I-R | HTB-56I-R          | HTB-58I-R | X                                    |                                 |
| <br>HTB-9  | 0.125"<br>3.18mm        | HTB-92I-R                      | HTB-94I-R | HTB-96I-R          | HTB-98I-R | X                                    |                                 |
|  |                         | HTB-32M-R                      | HTB-34M-R | HTB-36M-R          | HTB-38M-R |                                      | X                               |
|  |                         | HTB-52M-R                      | HTB-54M-R | HTB-56M-R          | HTB-58M-R |                                      | X                               |
|  |                         | HTB-92M-R                      | HTB-94M-R | HTB-96M-R          | HTB-98M-R |                                      | X                               |

#### Catalog Number Build-A-Code

|   |  |   |  |  |  |   |
|---|--|---|--|--|--|---|
| Packing<br><b>Blank (Std.)</b> – 10 fuse holders in a carton<br><b>BK</b> – 100 fuse holders in a cardboard shelf package   | HTB-<br>Product Symbol   | Fuse Carrier<br><b>I</b> – 1/4" x 1 1/4"<br><b>M</b> – 5 x 20mm | S      P<br>Splash Proof Cap with O-Ring (Optional on Knob Holders Only) | <b>FUSE CARRIER ONLY</b><br>Packaging (Blank) – Std.<br><b>BK</b> – Bulk | Product Symbol<br><b>FT</b> – Knob Type (For 20, 40, 60, and 80 Series Only)<br><b>ST</b> – Screwdriver Slotted (For 30, 50, and 90 Series Only) | Fuse Carrier<br><b>I</b> – 1/4" x 1 1/4"<br><b>M</b> – 5 x 20mm |
| <b>Body Configuration and Mounting Knob Holders</b><br>2 – Low Profile (Rear Panel Hex-Nut)<br>4 – High Profile<br>6 – (Front Panel Hex-Nut)<br>8 – Low Profile (Snap-In)<br><b>Screwdriver Slotted Holders</b><br>3 – Low Profile<br>5 – High Profile<br>9 – Low Profile (Snap-In) | <b>Rear Terminal Configuration</b><br>2 – Solder / 3/16" Quick-Connect (In-Line)<br>4 – Solder / 3/16" Quick-Connect (Right Angle)<br>6 – 1/4" Quick-Connect (In-Line)<br>8 – 1/4" Quick-Connect (Right Angle) | -R<br>RoHS Compliant  |  |  |  |   |

\*Profile varies with panel thickness. Holder installs through rear of panel.

## Panel Mounted Fuse Holders for Indicating Type Fuses

### HLD



#### Specifications

**Description:** Pin indicating for ¼" x 1¼" fuses.

**Dimensions:** See Dimensions illustration.

#### Ratings:

Volts: — 250V

Amps: — 15A

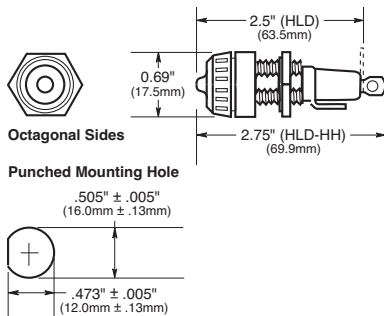
**Agency Information:** CE, UL Recognized, File E14853, Guide IZLT2.

#### Catalog Numbers

| Catalog Numbers* | Terminals                  |
|------------------|----------------------------|
| HLD              | Solder terminals           |
| HLD-HH           | ¼" quick-connect terminals |

\*Use w/GBA, GLD Fuses.

#### Dimensions - in (mm)



### HJL



#### Specifications

**Description:** Neon lamp indicating for ¼" x 1" fuses.

**Dimensions:** See Dimensions illustration.

#### Ratings:

Volts: — 250V

Amps: — 15A

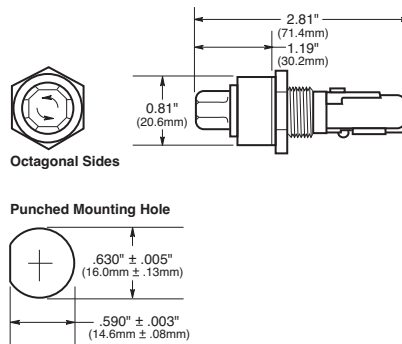
**Agency Information:** None

#### Catalog Number

| Catalog Number* | Volts     | Lamp Color | Knob Type |
|-----------------|-----------|------------|-----------|
| HJL             | 90 to 250 | Clear      | Oct       |

\*Use with AGX or MKB fuses, for panels up to ½" thick.

#### Dimensions - in (mm)



### HK Series



#### Specifications

**Description:** Neon and incandescent lamp indicating for ¼" x 1¼" fuses

**Dimensions:** See Dimensions illustration.

#### Ratings:

Volts: — 250V

Amps: — 15A (HKL, HKL-X)

— 20A (HKR, HKT, HKU, HKX)

**Agency Information:** CE, UL

Recognized, (Guide IZLT2, File E14853), CSA Certified

(Class 6225-01, File 47235).

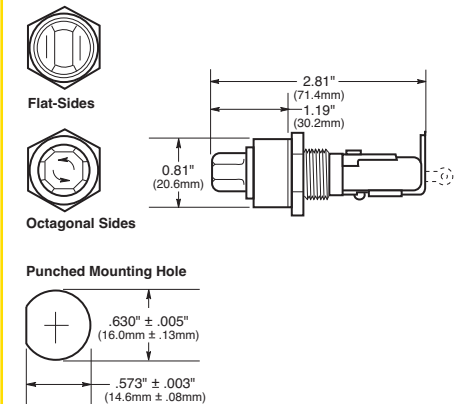
#### Catalog Numbers

| Catalog Numbers | Lamp Volts | Knob Color/Type |
|-----------------|------------|-----------------|
| HKL*            | 90-250     | Clear/Oct       |
| HKL-X*          | 90-250     | Clear/FS        |
| HKR**           | 22-30      | Amber/Oct       |
| HKT**           | 13-22      | Amber/Oct       |
| HKU**           | 4-6        | Red/Oct         |
| HKX**           | 22-33      | Amber/FS        |

\* Neon lamp — UL Recognized and CSA Certified.

\*\* Incandescent lamp.

#### Dimensions - in (mm)



## Panel Mounted Fuse Holders for 1 3/32" x 1 5/16" to 1 1/2" Fuses

### HPF



#10 wire max for solder connection

#### Specifications

**Description:** Standard fuse holders with **screw-type knob** for 1 3/32" x 1 5/16" to 1 1/2" Fuses.

**Dimensions:** See Dimensions illustration.

**Agency Information:** CE, UL Recognized, Guide IZLT2, File E14853; CSA Certified, Class 6225-01, File 47235.

**Flammability Rating:** UL 94HB.

**Terminals:** Combination 1/4" quick-connect/solder terminals.

#### Catalog Numbers

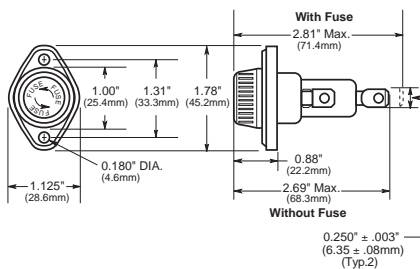
| Catalog Numbers     | Amp Ratings     | Volts            | Fuse Description                              |
|---------------------|-----------------|------------------|---|
| HPF                 | 30 <sup>2</sup> | 600              | 1 1/2" (38.1mm)                               |
| HPF-C               | 30 <sup>2</sup> | 600 <sup>3</sup> | 1 1/2" (38.1mm) clear knob.                   |
| HPF-L               | 5               | 600              | BBS, 1 3/32" x 1 5/16" fuses.                 |
| HPF-EE              | 15              | 600              | SC 0-15, 1 3/32" x 1 5/16" fuses.             |
| HPF-JJ              | 20              | 600              | SC 20, 1 3/32" x 1 5/16" fuses.               |
| HPF-FF <sup>1</sup> | 30 <sup>2</sup> | 480              | SC 25 & 30, 1 3/32" x 1 5/16" fuses.          |
| HPF-RR              | 30 <sup>2</sup> | 600              | KTK-R, LP-CC & FNQ-R Class CC fuses.          |
| HPF-WT              | 30 <sup>2</sup> | 600              | Splash-proof knob. 1 3/32" x 1 5/16" (38.1mm) |

<sup>1</sup> No CSA Certification

<sup>2</sup> 20A max when used with quick-connect terminals.

<sup>3</sup> HPF-C ratings for CSA-15A, 250V

#### Dimensions - in (mm)



Data Sheet: 2114

### HPS



#### Specifications

**Description:** Standard fuse holders with **bayonet-type knob** for 1 3/32" x 1 5/16" to 1 1/2" fuses.

**Dimensions:** See Dimensions illustration.

**Agency Information:** CE, UL Recognized, Guide IZLT2, File E14853; CSA Certified, Class 6225-01, File 47235.

**Flammability Rating:** UL 94HB.

**Terminals:** Combination 1/4" quick-connect/solder terminals.

#### Catalog Numbers

| Catalog Symbol        | Amp Ratings       | Volts | Fuse Description                                    |
|-----------------------|-------------------|-------|---|
| HPS                   | 30 <sup>2,3</sup> | 600   | 1 1/2" x 1 1/2"                                     |
| HPS-L                 | 5                 | 600   | BBS, 1 3/32" x 1 5/16" fuses.                       |
| HPS-EE <sup>*</sup>   | 15                | 600   | SC 0-15, 1 3/32" x 1 5/16" fuses.                   |
| HPS-JJ <sup>*</sup>   | 20                | 600   | SC 20, 1 3/32" x 1 5/16" fuses.                     |
| HPS-F-EE <sup>†</sup> | 15                | 600   | Sleeve on body, leaded for 1 3/32" x 1 5/16" fuses. |
| HPS-FF <sup>††</sup>  | 30 <sup>2</sup>   | 480   | SC 25 & 30, 1 3/32" x 1 5/16" fuses.                |
| HPS-RR <sup>†††</sup> | 30 <sup>2</sup>   | 600   | KTK-R, LP-CC, FNQ-R Class CC fuses.                 |

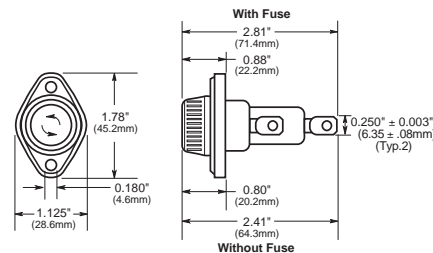
<sup>\*</sup>-EE, -JJ, -FF and -RR versions are UL Recognized for applications requiring branch circuit protection.

<sup>†</sup> No CSA Certification

<sup>††</sup> 20A max when used with quick-connect terminals.

<sup>†††</sup> HPS rated at 250V for CSA

#### Dimensions - in (mm)



Data Sheet: 2113

### HPG



### HPD



#### Specifications

**Description:** Standard fuse holders with **bayonet-type knob** for 1 3/32" x 1 1/2" fuses.

**Dimensions:** See Dimensions illustrations.

**Agency Information:** CE, UL Recognized, (Guide IZLT2, File E14853).

**Flammability Rating:** UL 94V0 - fuse holder body UL 94HB - Knob.

#### Catalog Numbers

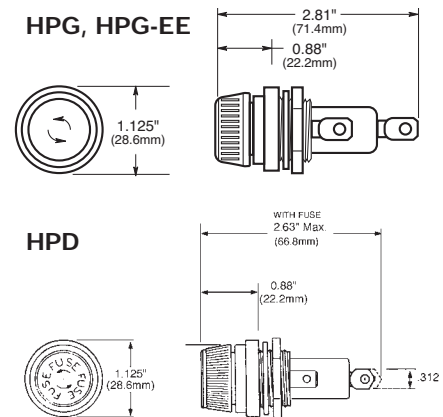
| Catalog Numbers     | Amp Ratings     | Volts | Fuse Description                  |
|---------------------|-----------------|-------|-----------------------------------|
| HPG <sup>*</sup>    | 30 <sup>1</sup> | 600   | 1 3/32" x 1 1/2" fuses            |
| HPG-EE <sup>*</sup> | 15              | 600   | SC 0-15, 1 3/32" x 1 5/16" fuses. |
| HPD <sup>**</sup>   | 30 <sup>1</sup> | 600   | 1 3/32" x 1 1/2" fuses            |

<sup>1</sup> 20A max when used with quick-connect terminals.

<sup>\*</sup>HPG and HPG-EE has combination 1/4" quick-connect/solder terminals on both side (load) and rear (line) terminals.

<sup>\*\*</sup>HPD has combination 1/4" quick-connect/solder terminal on side (load) terminal only. Rear (line) terminal is 3/8" shorter than HPG. Rear terminal solder only.

#### Dimensions - in (mm)



Data Sheet: 2108



## Fuse Blocks for 1/4" x 1 1/4" Fuses

### Series 8000



#### Specifications

**Description:** Bolt-in and snap-in mounting for 1/4" x 1 1/4" fuses.

**Construction:** Blocks are molded flame retarded thermoplastic. Clips are spring-bronze.

#### Ratings:

Volts: — 300V  
Amps: — 25A (See Catalog Numbers table)

**Agency Information:** CE, UL Recognized ; File E14853, Guide IZLT2, CSA Certified Class 6225-01, File 47235.

**Anti-Rotation Pin:** Single-pole blocks may be ordered without the anti-rotational pin simply by adding an "X" to the number of poles (Example: BK/S-8000-1X).

**Carton Quantity:** 10; shelf package: 100.

**Bulk Carton:** Single-pole and 2-pole fuse blocks – 1,000; Multiple-pole fuse blocks – 3- to 8-pole: 200; 9- to 12-pole: 50. When ordering bulk quantities, prefix "BK/" to catalog number: (Example: BK/S-8001-1-SNP).

#### Catalog Numbers

##### Bolt-in Mounting

| Basic Catalog Numbers | Series | Terminal            | Angle | Agency Maximums   | Poles (Suffix) |
|-----------------------|--------|---------------------|-------|-------------------|----------------|
| S-8001-               | 8000   | Solder              | 0°    | UL 25A            | 1 - 12         |
| S-8002-               |        |                     | 40°   | CSA 21A           |                |
| S-8101-               | 8100   | 3/16" Quick Connect | 0°    | UL 20A            |                |
| S-8102-               |        |                     | 40°   | CSA 13A           |                |
| S-8201-               | 8200   | 1/4" Quick Connect  | 0°    | UL 20A            |                |
| S-8202-               |        | Connect Side        | 40°   | CSA 16A           |                |
| S-8203-               |        |                     |       |                   |                |
| S-8301-               |        | Screw               | —     | UL 30A<br>CSA 25A |                |

##### Snap-in Mounting

| Catalog Numbers | Series | Terminal            | Angle | Agency Maximums | Poles (Suffix)                |
|-----------------|--------|---------------------|-------|-----------------|-------------------------------|
| S-8001-1-SNP    | 8000   | Solder              | 0°    | UL 25A          | Available only in single pole |
| S-8002-1-SNP    |        |                     | 40°   | CSA 21A         |                               |
| S-8101-1-SNP    | 8100   | 3/16" Quick Connect | 0°    | UL 20A          |                               |
| S-8102-1-SNP    |        |                     | 40°   | CSA 13A         |                               |
| S-8201-1-SNP    | 8200   | 1/4" Quick Connect  | 0°    | UL 20A          |                               |
| S-8203-1-SNP    |        | Connect             | Side  | CSA 16A         |                               |

#### Catalog Number Build-A-Code

| Catalog Code              |
|---------------------------|
| BK/ S-8 0 00 -00          |
| Prefix for Bulk Packing   |
| Series 8000 Product Line  |
| Type Terminal             |
| "0" - Solder              |
| "1" - 3/16" Quick Connect |
| "2" - 1/4" Quick Connect  |
| "3" - Screw               |
| Terminal Angle            |
| "01" - straight (0°)      |
| "02" - 40°                |
| "03" - side*              |
| Number of Poles (1-12)    |



Data Sheet: 2101

\*Available only in single pole

### Single-Pole Fuse Blocks

#### Specifications

**Description:** Single-pole fuse block for 1/4" x 1 1/4" (6.4 x 31.8mm) size fuses.

**Dimensions:** See Dimensions illustrations.

**Construction:** Bakelite base width 1/2" (12.7mm); spring-bronze, bright tin-lead plate clips.

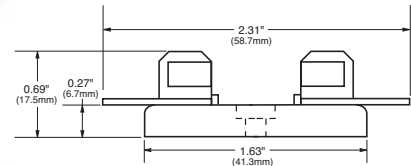
#### Ratings:

Volts: — 250V  
Amps: — 30A



**4405 - 0° Solder terminals with integral terminal and clip**

#### Dimensions - in (mm)

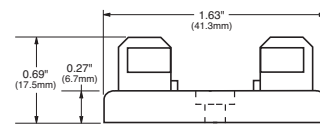


**4406 - Side solder terminal**



**4574 - Spare fuse block**

#### Dimensions - in (mm)

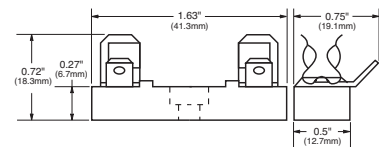


**2499 - Side quick-connect**

**Agency Information:** UL Recognized, Guide IZLT2, File E14853

**Terminals:** 1/4" (6.4mm); 15A, 250V

#### Dimensions - in (mm)



Note: Mounting screw hole diameter is 0.147" (3.7mm). Counterbore diameter, 0.636" (8.0mm). Max Mounting Screw No. 6.



## Fuse Blocks for 1/4" x 1" Fuses

### 3828 Series



#### Specifications

**Description:** Fuse block for 1/4" x 1" (6.4 x 25.4mm) fuses with solder terminals.

**Dimensions:** See Dimensions illustration.

#### Ratings:

Volts: — 250V

Amps: — 30A

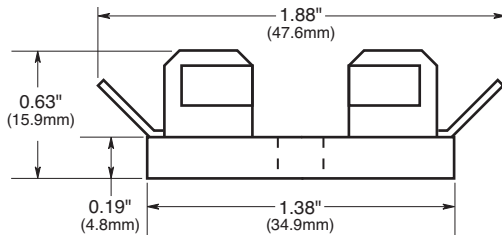
**Mounting:** Mounting screw hole diameter is 0.147" (3.7mm), diameter. Max mounting screw No. 6.

#### Catalog Numbers

| Catalog Numbers | Poles | *Base Length - In (mm) |
|-----------------|-------|------------------------|
| 3828-1          | 1     | 1/2 (12.7)             |
| 3828-2          | 2     | 1 1/8 (28.6)           |
| 3828-3          | 3     | 1 3/4 (44.5)           |
| 3828-4          | 4     | 2 3/8 (60.3)           |
| 3828-5          | 5     | 3 (76.2)               |
| 3828-6          | 6     | 3 5/8 (92.1)           |
| 3828-7          | 7     | 4 1/4 (108.0)          |
| 3828-8          | 8     | 4 7/8 (123.8)          |
| 3828-10         | 10    | 6 1/8 (155.6)          |
| 3828-12         | 12    | 7 3/8 (187.3)          |

\*Small phenolic base, base width 1 3/8" (34.9mm)

#### Dimensions - in (mm)



### 4520 and 4393



#### Specifications

**Description:** Single-pole fuse block for 1/4" x 1" fuses.

**Dimensions:** See Dimensions illustrations.

**Construction:** Bakelite with 1/2" (12.7mm) width base. Spring-bronze, bright tin-lead plated clips.

#### Ratings:

Volts: — 250V

Amps: — 30A

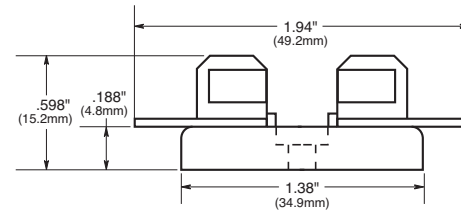
**Mounting:** Mounting screw hole diameter is 0.147" (3.7mm), counterbore 0.636" (8.0mm) diameter. Max mounting screw No. 6.

#### Catalog Numbers

| Catalog Numbers | Description                                 |
|-----------------|---|
| 4520            | Integral clip and straight solder terminals |
| 4393            | Spare fuse block                            |

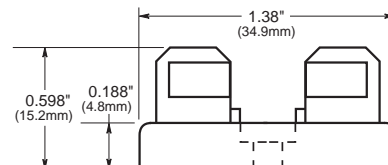
### No. 4520 - Integral clip and straight solder terminals

#### Dimensions - in (mm)



### No. 4393 - Spare fuse block

#### Dimensions - in (mm)



## Blocks for $1\frac{3}{32}$ " X $1\frac{1}{2}$ " Fuses

### 3743



#### Specifications

**Description:** Add-on fuse blocks for  $1\frac{3}{32}$ " X  $1\frac{1}{2}$ " (10.3 X 38.1mm) fuses. Single pole blocks lock into each other and can be added at any time. Each has a single end barrier.

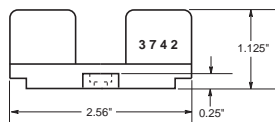
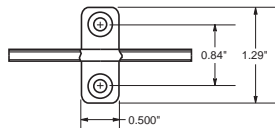
**Dimensions:** See Dimensions illustration.

#### Ratings:

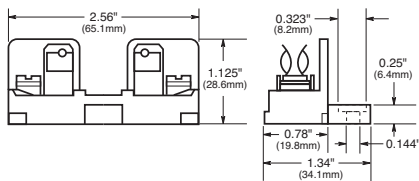
Volts: — 600Vac/dc

Amps: — 30A

**Agency Information:** CE, UL  
Recognized Guide IZLT2, File E14853.



#### 3742—End Barrier Only



**3723—Block and end barrier marking strip.** Length is  $9\frac{3}{8}$ " (23.8cm).

Note: Mounting screw hole is 0.147" (3.7mm) dia. Counterbore, 0.636" (8mm) dia. Max. mounting screw No. 6.

### 3835 Series



#### Specifications

**Description:** Multiple pole fuse blocks for  $1\frac{3}{32}$ " X  $1\frac{1}{2}$ " (10.3 X 38.1mm) fuses.

**Dimensions:** See Dimensions illustration.

#### Ratings:

Volts: — 250Vac/dc

Amps: — 30A

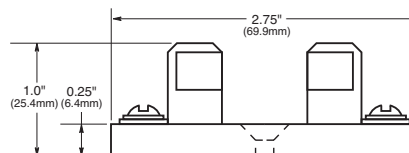
**Agency Information:** CE

#### Catalog Numbers

| Catalog Numbers | Poles | Base* Width In (mm)      |
|-----------------|-------|--------------------------|
| 3835-1          | 1     | $2\frac{1}{32}$ (21.4)   |
| 3835-2          | 2     | $1\frac{1}{8}$ (46.0)    |
| 3835-3          | 3     | $2\frac{25}{32}$ (70.6)  |
| 3835-4          | 4     | $3\frac{3}{8}$ (95.2)    |
| 3835-5          | 5     | $4\frac{23}{32}$ (119.9) |
| 3835-6          | 6     | $5\frac{1}{16}$ (144.5)  |
| 3835-7          | 7     | $6\frac{21}{32}$ (169.0) |
| 3835-8          | 8     | $7\frac{5}{8}$ (193.7)   |
| 3835-9          | 9     | $8\frac{1}{2}$ (218.8)   |
| 3835-10         | 10    | $9\frac{9}{16}$ (242.9)  |
| 3835-12         | 12    | $11\frac{1}{8}$ (292.1)  |

\*Base length:  $2\frac{3}{8}$ " (69.9mm)

#### Dimensions



Note: Mounting screw hole diameter is 0.148" (3.7mm). Countersink, 0.313" (7.9mm). Max. mounting screw No. 6.

### 4421 and 4515



#### Specifications

**Description:** Single pole fuse blocks for  $1\frac{3}{32}$ " X  $1\frac{1}{2}$ " (10.3 X 38.1mm) fuses.

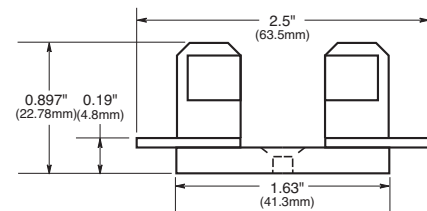
**Dimensions:** See Dimensions illustration.

#### Ratings:

Volts: — 250Vac/dc (or less)

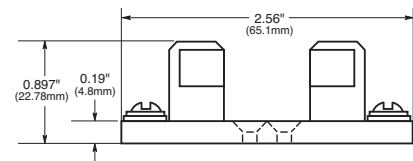
Amps: — 30A

**Agency Information:** CE



#### 4421—Solder Terminals

Base width  $\frac{5}{8}$ " (15.9mm)



#### 4515—Screw Terminals

Base width  $\frac{3}{4}$ " (19mm)

Note: Mounting screw hole diameter is 0.147" (3.7mm). Countersink, 0.312" (7.9mm). Max. mounting screw No. 6.

## Rail Mount Fuse Blocks and Holders

### NDNF1-WH

#### Specifications

**Description:** Fuse holding rail mount terminal block.

**Circuit Jumper:** JF1, 2 circuits

**Fuse Size:** 1<sup>3</sup>/<sub>2</sub>" X 1<sup>1</sup>/<sub>2</sub>"\* (KTK, FNQ).

**Poles:** 1

**Wire Range:** AWG #8-22 Cu.

#### Ratings:

Volts: — 600V

Amps: — 30A

**Mounting Options:** 35mm DIN rail, C-rail

**Fuse Pullers:** • PF1 (standard)  
• neon or incandescent bulb

\*LPF1 (lighted neon or incandescent bulb).

**Torque Rating:** 18 lb-in

**Operating Temperature:** 105°C

**Agency Information:** CSA File 15364

#### Catalog Numbers

##### Catalog

| Number   | Color |
|----------|-------|
| NDNF1-WH | White |

**Fuse Pullers (Optional):** PF1

**Lighted neon or incandescent lamp:**

##### Catalog

| Numbers    | Voltage |
|------------|---------|
| LPF1-24    | 24      |
| LPF1-120   | 120     |
| LPF1-120-C | 120     |
| LPF1-220   | 220     |
| LPF1-440   | 440     |



### NDNLF1-WH

#### Specifications

**Description:** Rail mount fuse holder.

**Circuit Jumper:** JF1, 2 circuits.

**Fuse Size:** 1/4" X 1 1/4" (Cooper Bussmann AGC, MDL or equivalent).

**Poles:** 1

**Wire Range:** AWG #8-22 Cu.

#### Ratings:

Volts: — 600V

Amps: — 30A (NDNDF1 non-fused)

— 15A (NDNDF1, 600V/CSA, fused)

— 15A (NDNLF1\*fused, indicating)

\*WH24 - 24V White, WH-90Vdc-600Vdc, 115Vac-600Vac White

**Agency Information:** CE, UL E62622; CSA LR15364.

**Mounting Options:** 35mm DIN rail, C-rail

**Marking Tape:** MT12-1-2

**Torque Rating:** 18 lb-in

**Operating Temperature:** 105°C

**Agency Information:** CSA File 15364

#### Catalog Numbers

##### Catalog

| Number       | Color | Indicator                     |
|--------------|-------|-------------------------------|
| NDNDF1-WH    | White | NO                            |
| NDNLF1-WH    | White | 90Vdc-600Vdc<br>115Vac-600Vac |
| NDNLF1-WH 24 | White | 24V                           |





**Power Distribution Blocks**  
New 1000Vdc Finger-Safe Designs  
with High SCCRs Help Improve Safety,  
Assembly Ratings and Ease Code  
Compliance

## X-ON Electronics

Largest Supplier of Electrical and Electronic Components

*Click to view similar products for [Fuse Holder](#) category:*

*Click to view products by [Eaton](#) manufacturer:*

Other Similar products are found below :

[570-290-741P40](#) [570-290-751P40](#) [020417G](#) [020418E](#) [6R30A1B](#) [F600A3B](#) [80910030](#) [8601.2020](#) [G15A2SPQ](#) [9-3557-GP REV A](#) [HDJ-B](#)  
[R6J30A3S](#) [HFH-1](#) [RF30A1S](#) [RF30A2B](#) [RF30A3SP](#) [15600-08-10](#) [BK/FHN19G](#) [BK/HHM](#) [BK/HKP-CCHH](#) [BK/HKP-JJ](#) [BK/HTJ-LES-](#)  
[FUSE](#) [HMG-241](#) [HTJ-LES-FUSE](#) [C4044-1](#) [2086-1](#) [2193](#) [2602](#) [2650](#) [178.000100](#) [FHN31G1](#) [T30A2B](#) [G4PB8](#) [2660](#) [2799](#) [CQ-209V](#) [HKP-](#)  
[CCHH](#) [R6F30A2S](#) [341001A](#) [345621A](#) [CVRMCC](#) [4202](#) [4407](#) [4408](#) [4413](#) [4423](#) [4532](#) [4537](#) [TSD1404-12](#) [BK/FHN31G1](#)