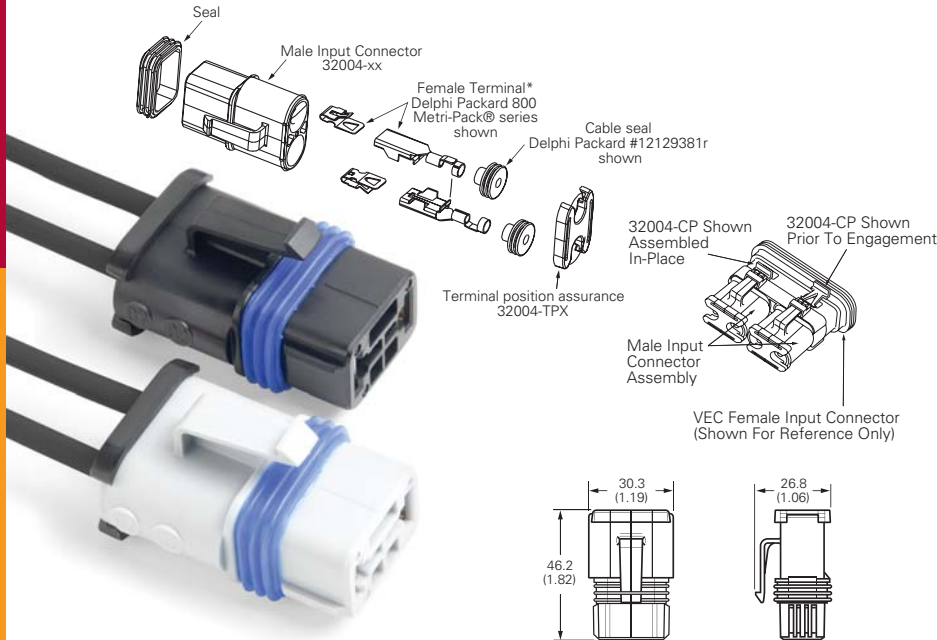


Dimensions - mm(in)

32004-XX Power Connector (Dims. shown are for reference only. Consult factory for latest prints)



(Dims. shown are for reference only. Consult factory for latest prints)

MALE INPUT CONNECTOR

32004 - X X

- Sealed / Non-Sealed Configuration
- 1 = Non-Sealed Version
- 2 = Sealed Version

Color of Part

- A = Black
- B = Gray

TERMINAL POSITION ASSURANCE

32004 - TPX

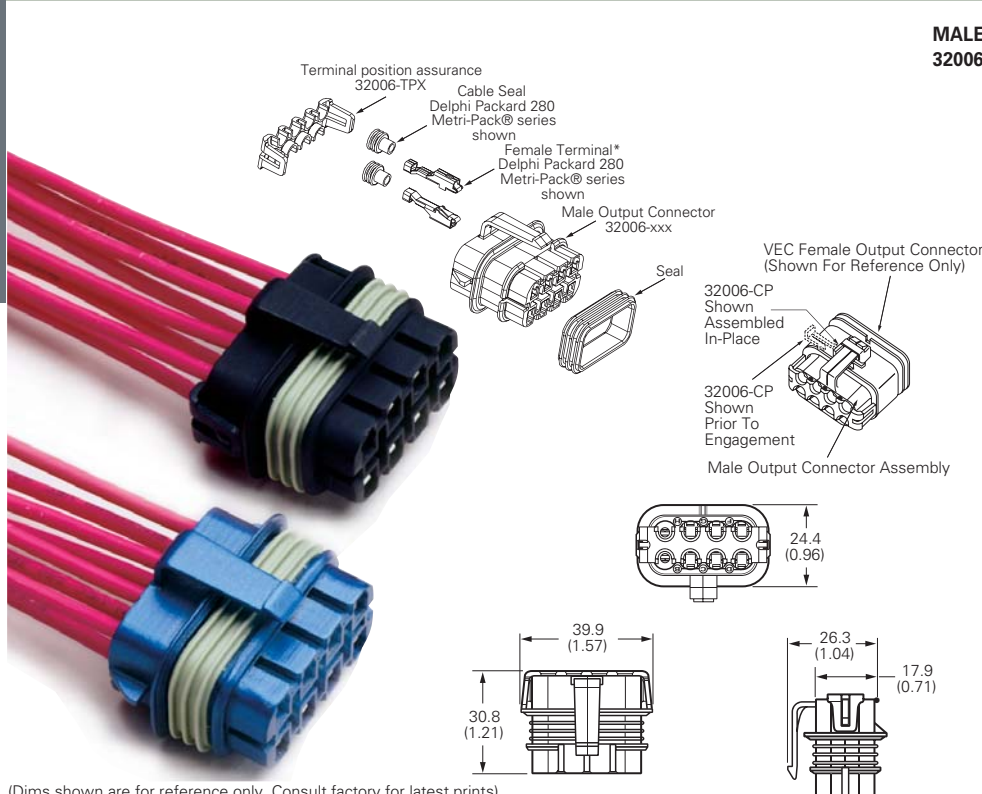
- Sealed / Non-Sealed Configuration
- 1 = Non-Sealed Version
- 2 = Sealed Version

CONNECTOR POSITION ASSURANCE

32004 - CP (Ship in Bulk)

Note: Terminals and Terminal Seal Components are not provided with connectors. Available from Delphi Packard. Contact factory for part list and terminal removal tool. Sealed connector option includes outer body seal.

32006-XXX Output Connector (Dims. shown are for reference only. Consult factory for latest prints)



(Dims. shown are for reference only. Consult factory for latest prints)

MALE OUTPUT CONNECTOR

32006 - X X X

- Sealed / Non-Sealed Configuration
- 1 = Non-Sealed Version
- 2 = Sealed Version

Connector Cavity Configuration

- 1 = Tang-less Female Connector (Delphi 280)
- 2 = with Tang Female Connector (Delphi 280)
- P = all cavities plugged

Color of Part

- A = Black
- B = Gray
- C = Green
- D = Blue
- E = Yellow
- F = Red
- G = Orange
- H = Brown
- J = Neutral (only available for -JP2 option)

TERMINAL POSITION ASSURANCE

32006 - TPX

- Sealed / Non-Sealed Configuration
- 1 = Non-Sealed Version
- 2 = Sealed Version

CONNECTOR POSITION ASSURANCE

32006 - CP (Ship in Bulk)

Note: Terminals and Terminal Seal Components are not provided with connectors, but are available from Delphi Packard. Contact factory for part list and terminal removal tool. Sealed connector option includes outer body seal.

X-ON Electronics

Largest Supplier of Electrical and Electronic Components

Click to view similar products for [Automotive Connectors](#) category:

Click to view products by [Eaton](#) manufacturer:

Other Similar products are found below :

[003-018-000](#) [60403001](#) [60993906-B](#) [M902-2131](#) [M902-2161](#) [M902-2344](#) [72.330.1035.1](#) [73.353.4028.0](#) [F119300-B](#) [F166900](#) [F258300-B](#)
[F358300-B](#) [F407400](#) [F444110](#) [F487000](#) [F509500B-B](#) [827153-1](#) [8N1515-32-24P](#) [9-1326729-8](#) [925474-1](#) [928905-1](#) [964562-4](#) [968782-1](#)
[GT17SA-8DS-HU](#) [98891-1012](#) [98947-1016](#) [12004147](#) [12004475-L](#) [12010290](#) [12015454](#) [12020219-B](#) [12041318-B](#) [12052225-L](#) [12052466](#)
[12064869](#) [12004327-B](#) [12015308](#) [12015384](#) [12015909](#) [1-21030-1](#) [12041254](#) [12041318](#) [12047946-B](#) [12047957](#) [12047957-L](#) [12059473](#)
[12066261](#) [12110546](#) [12110546-B](#) [12131792](#)