

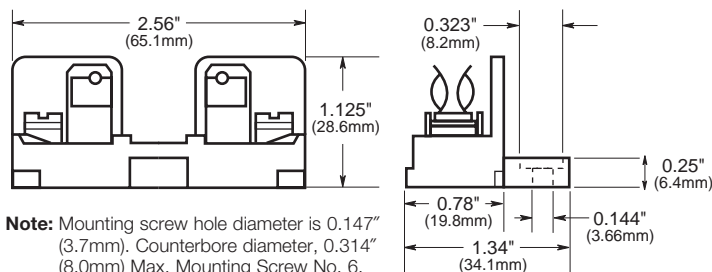
Add-On Fuseblocks

For 1³/₃₂" × 1¹/₂" Fuses

3723, 3742 and 3743



Dimensional Data



Catalog Symbol: 3743

Add-On Fuseblocks

Ampere Rating: 30 Amperes

Voltage Rating: 600 Volts AC

Agency Information:

U.L. Recognized, Guide IZLT2, File E14853

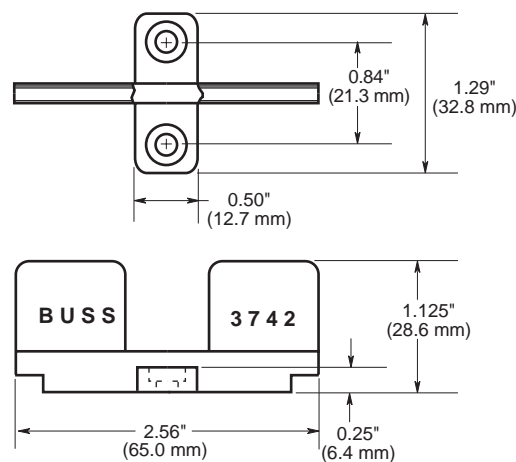
General Information:

- Single pole block.
- Single pole blocks lock into each other and can be added at any time.
- Each has single end barrier. Order end barrier 3742 to complete block.
- Molded phenolic base; screw terminal; beryllium copper, bright-dipped clips.

End Barrier



Dimensional Data



Catalog Symbol: 3742

Add-On Fuseblocks

End Barrier Only

Marking Strip

Catalog Symbol: 3723

Marking Strip

Length: 9³/₈" (23.8mm)

The only controlled copy of this BIF document is the electronic read-only version located on the Bussmann Network Drive. All other copies of this BIF document are by definition uncontrolled. This bulletin is intended to clearly present comprehensive product data and provide technical information that will help the end user with design applications. Bussmann reserves the right, without notice, to change design or construction of any products and to discontinue or limit distribution of any products. Bussmann also reserves the right to change or update, without notice, any technical information contained in this bulletin. Once a product has been selected, it should be tested by the user in all possible applications.

X-ON Electronics

Largest Supplier of Electrical and Electronic Components

Click to view similar products for [Fuse Holder Accessories](#) category:

Click to view products by [Eaton](#) manufacturer:

Other Similar products are found below :

[BK/1A1337](#) [1A1853](#) [1A4421](#) [1A5220](#) [903-048](#) [1A1337](#) [1A4544](#) [1A5220-01](#) [CO2-10](#) [CO3-03](#) [348897](#) [B072-7007](#) [BK/1A4421](#) [X30110](#)
[09030012H](#) [09050023H](#) [00970021HXNVDL](#) [00BS0232P](#) [CO2-04](#) [BK1A1853](#) [BK9834](#) [00970053XP](#) [3566C](#) [00970053H](#) [04450718ZX900](#)
[CH10CL](#) [BP/FP-3](#) [58600000005](#) [33-012C](#) [880140](#) [00970023S](#) [880150](#) [PDM71009ZXM](#) [B109-7091-6](#) [B109-7091-5](#) [CFBAR2-M8XSP](#)
[901-524](#) [CVR-RH-25100](#) [LFH60030FBC](#) [03540514Z](#) [03540526Z](#) [03540531Z](#) [03540541Z](#) [03540525Z](#) [03540537Z](#) [03540539Z](#) [03540540Z](#)
[FEH](#) [CC2/J](#) [03540519Z](#)