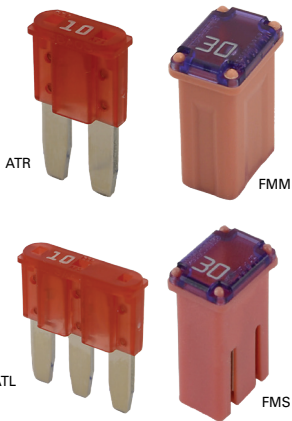


## Space-saving automotive fuses



Bussmann series superior micro fuses provide protection while consuming minimal space.

### Product description:

New vehicles are incorporating more electronic circuitry, which requires more protection. With space at a premium, many new vehicles now use micro fuses.

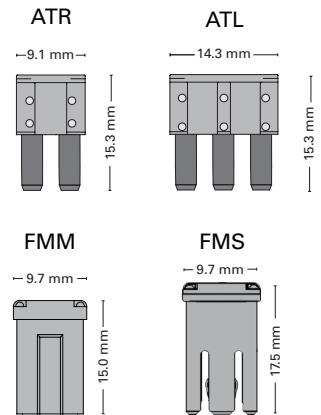
In addition to their small footprint, micro fuses have the capability to withstand temperatures ranging from -40°C to +125°C (-40°F to 257°F), making them ideal for vehicles in extreme environments.

Bussmann™ series ATR (2-blade) and ATL (3-blade) fuses are rated to 32 volts, and constructed of nylon with silver-plated zinc alloy terminals. Bussmann series FMM and slotted FMS (micro female Maxi™) fuses are also rated to 32 volts, but are constructed of PA6T with tin-plated copper terminals.

### Features and benefits:

- Fuses are color coded by amp rating for easy identification.
- ATR fuses provide single-circuit protection.
- ATL fuses provide dual-circuit protection in a single product.
- FMM fuses are the smallest female Maxi cartridge fuses in the market.
- FMS slotted female Maxi cartridge fuse is available in amperages up to 60 A.
- The FMS is not a direct replacement for the FMM.

### Dimensions (actual size):



**ATR — Micro 2-blade fuses**

Catalog no.	Amp	Color	UPC	Unit pack		Shelf carton		Master carton	
				Qty.	Dimensions (HxWxD)	Qty.	Dimensions (LxWxH)	Qty.	Dimensions (LxWxH)
BP/ATR-5-RP	5	Tan	051712510387	5	3.00" x 2.75" x 0.38"	5	4.69" x 3.44" x 2.19"	120	14.75" x 9.25" x 7.50"
BP/ATR-7½-RP	7½	Brown	051712510417	5	3.00" x 2.75" x 0.38"	5	4.69" x 3.44" x 2.19"	120	14.75" x 9.25" x 7.50"
BP/ATR-10-RP	10	Red	051712499408	5	3.00" x 2.75" x 0.38"	5	4.69" x 3.44" x 2.19"	120	14.75" x 9.25" x 7.50"
BP/ATR-15-RP	15	Blue	051712499415	5	3.00" x 2.75" x 0.38"	5	4.69" x 3.44" x 2.19"	120	14.75" x 9.25" x 7.50"
BP/ATR-20-RP	20	Yellow	051712499422	5	3.00" x 2.75" x 0.38"	5	4.69" x 3.44" x 2.19"	120	14.75" x 9.25" x 7.50"
BP/ATR-25-RP	25	Clear	051712510479	5	3.00" x 2.75" x 0.38"	5	4.69" x 3.44" x 2.19"	120	14.75" x 9.25" x 7.50"
BP/ATR-30-RP	30	Green	051712499439	5	3.00" x 2.75" x 0.38"	5	4.69" x 3.44" x 2.19"	120	14.75" x 9.25" x 7.50"

**FMM and FMS — Micro female Maxi fuses**

Catalog no.	Amp	Color	UPC	Unit pack		Shelf carton		Master carton	
				Qty.	Dimensions (HxWxD)	Qty.	Dimensions (LxWxH)	Qty.	Dimensions (LxWxH)
BP/FMM-15-RP	15	Grey	051712510950	1	3.00" x 2.75" x 0.38"	5	4.69" x 3.44" x 2.19"	120	14.75" x 9.25" x 7.50"
BP/FMM-20-RP	20	Blue	051712499446	1	3.00" x 2.75" x 0.38"	5	4.69" x 3.44" x 2.19"	120	14.75" x 9.25" x 7.50"
BP/FMM-25-RP	25	White	051712510974	1	3.00" x 2.75" x 0.38"	5	4.69" x 3.44" x 2.19"	120	14.75" x 9.25" x 7.50"
BP/FMM-30-RP	30	Pink	051712499453	1	3.00" x 2.75" x 0.38"	5	4.69" x 3.44" x 2.19"	120	14.75" x 9.25" x 7.50"
BP/FMM-40-RP	40	Green	051712499460	1	3.00" x 2.75" x 0.38"	5	4.69" x 3.44" x 2.19"	120	14.75" x 9.25" x 7.50"
BP/FMS-15-RP	15	Grey	051712746526	1	3.00" x 2.75" x 0.38"	5	4.69" x 3.44" x 2.19"	120	14.75" x 9.25" x 7.50"
BP/FMS-20-RP	20	Blue	051712746533	1	3.00" x 2.75" x 0.38"	5	4.69" x 3.44" x 2.19"	120	14.75" x 9.25" x 7.50"
BP/FMS-25-RP	25	White	051712746540	1	3.00" x 2.75" x 0.38"	5	4.69" x 3.44" x 2.19"	120	14.75" x 9.25" x 7.50"
BP/FMS-30-RP	30	Pink	051712746557	1	3.00" x 2.75" x 0.38"	5	4.69" x 3.44" x 2.19"	120	14.75" x 9.25" x 7.50"
BP/FMS-40-RP	40	Green	051712746564	1	3.00" x 2.75" x 0.38"	5	4.69" x 3.44" x 2.19"	120	14.75" x 9.25" x 7.50"
BP/FMS-50-RP	50	Red	051712746571	1	3.00" x 2.75" x 0.38"	5	4.69" x 3.44" x 2.19"	120	14.75" x 9.25" x 7.50"
BP/FMS-60-RP	60	Yellow	051712746588	1	3.00" x 2.75" x 0.38"	5	4.69" x 3.44" x 2.19"	120	14.75" x 9.25" x 7.50"

**Emergency kits and Assortment packs**

Catalog no.	Description	UPC	Unit pack		Shelf carton		Master carton	
			Qty.	Dimensions (HxWxD)	Qty.	Dimensions (LxWxH)	Qty.	Dimensions (LxWxH)
BP/ATR-A7-RPP	Micro 2-blade assortment pack	051712400985	8	3.00" x 2.75" x 0.38"	5	4.69" x 3.44" x 2.19"	120	14.75" x 9.25" x 7.50"
BP/ATL -A4-RPP	Micro 3-blade assortment pack	051712510981	5	3.00" x 2.75" x 0.38"	5	4.69" x 3.44" x 2.19"	120	14.75" x 9.25" x 7.50"

**Bulk assortment**

Catalog no.	Description	UPC	Content total
NO.136	(10) ATR-5, (10) ATR-7½, (10) ATR-15, (10) ATR-20, (10) ATR-25, (10) ATR-30, (10) ATL -5, (10) ATL -7½, (10) ATL -10, (10) ATL -15, (5) FMM-15, (5) FMM-20, (5) FMM-25, (5) FMM-30, (5) FMM-40, (1) Fuse Puller	051712416344	136
CDY10TRY-MICRO	(5) ATR-5, (5) ATR-7½, (5) ATR-10, (5) ATR-15, (5) ATR-20, (5) ATR-25, (5) ATR-30 (5) ATL -5, (5) ATL -7½, (5) ATL -10, (5) ATL -15	051712493024	55
CDY10TRY-FLNK1	(1) FMM-15, (1) FMM-20, (1) FMM-25, (1) FMM-30, (1) FMM-40, (1) FMX-20LP, (1) FMX-25LP, (1) FMX-30LP, (1) FMX-40LP, (2) FMX-50LP, (2) FMX-60LP	051712493048	13

**ATR and ATL — Micro 2-blade fuse traditional packs**

Catalog no.	UPC	Unit pack	Shelf pack
ATR-5	051712404990	5	20
ATR-7-1/2	051712405003	5	20
ATR-10	051712405010	5	20
ATR-15	051712405027	5	20
ATR-20	051712405034	5	20
ATR-25	051712405041	5	20
ATR-30	051712405058	5	20
ATL5	051712405065	5	20
ATL-7-1/2	051712405072	5	20
ATL-10	051712405089	5	20
ATL-15	051712405096	5	20

**FMM and FMS — Micro female Maxi fuses traditional packs**

Catalog No.	UPC	Unit pack	Shelf pack
FMM-15	051712405102	1	10
FMM-20	051712405119	1	10
FMM-25	051712405126	1	10
FMM-30	051712405133	1	10
FMM-40	051712405140	1	10
FMS-15	051712746458	1	10
FMS-20	051712746465	1	10
FMS-25	051712746472	1	10
FMS-30	051712746489	1	10
FMS-40	051712746496	1	10
FMS-50	051712746502	1	10
FMS-60	051712746519	1	10

**Eaton**  
 1000 Eaton Boulevard  
 Cleveland, OH 44122  
 United States  
 Eaton.com

Bussmann Division  
 114 Old State Road  
 Ellisville, MO 63021  
 United States  
 Eaton.com/bussmannseries

For Eaton's Bussmann series product information, call 1-855-287-7626 or visit: [Eaton.com/BussmannConsumer](http://Eaton.com/BussmannConsumer)



© 2019 Eaton  
 All Rights Reserved  
 Printed in USA  
 Publication No. 10123  
 August 2019

Eaton, Bussmann and Maxi are valuable trademarks of Eaton in the US and other countries. You are not permitted to use the Eaton trademarks without prior written consent of Eaton.

Follow us on social media to get the latest product and support information.



## X-ON Electronics

Largest Supplier of Electrical and Electronic Components

*Click to view similar products for [Automotive Fuses](#) category:*

*Click to view products by [Eaton](#) manufacturer:*

Other Similar products are found below :

[HBO-10](#) [HBO-100](#) [HBO-150](#) [HBO-40](#) [HBO-50](#) [AFX-150](#) [AT-10](#) [AT-30](#) [AT-5](#) [ATM-10ID](#) [ATM-4LP](#) [ACL-50](#) [AFX-50](#) [299080](#) [HBO-15](#)  
[AT-20](#) [AT-3](#) [0287015](#) [142.7010.5502](#) [FMM-15](#) [0MIN015.HXGLO](#) [0695030.PXPS](#) [0695040.PXPS](#) [0297003.WXT](#) [0MIN025.HXGLO](#)  
[0MIN030.HXGLO](#) [0695025.PXPS](#) [0695015.PXPS](#) [0695050.PXPS](#) [0695060.PXPS](#) [MRBF-075](#) [ACBP-V-15A](#) [ACB-12-V-30A](#) [ACB-12-V-](#)  
[50A](#) [0200300](#) [02400106P](#) [0297002.WXT](#) [0297004.WXT](#) [0297010.WXT](#) [0297015.WXT](#) [0297020.WXT](#) [0297025.WXT](#) [0297030.WXT](#)  
[029707.5WXT](#) [0602925](#) [0602930](#) [0602935](#) [0602940](#) [0602950](#) [0602960](#)