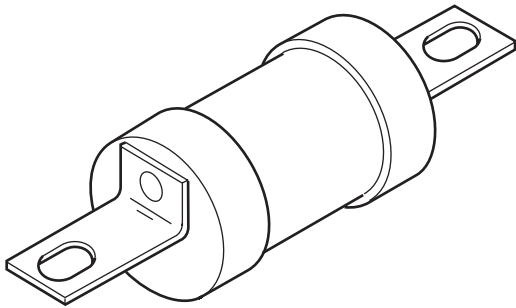


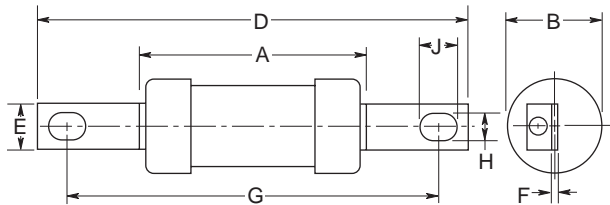
# Industrial HRC Fuse Link

21.4 x 128mm, BS88, IEC 269-1  
Center Bolted Tags

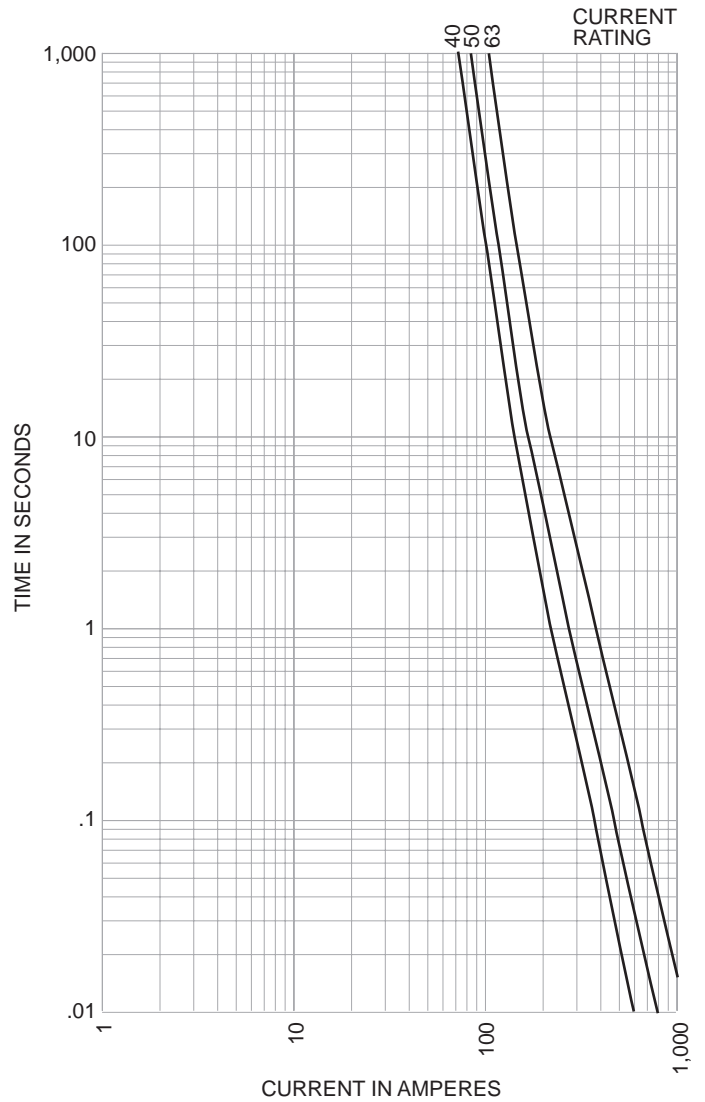


CATALOG SYMBOL: BD  
INDUSTRIAL HRC FUSE LINK  
CENTER BOLTED TAGS  
PACKAGE QUANTITY: 20  
80kA INTERRUPTING RATING  
MOUNTS IN 200DF FUSEHOLDER

**Dimensional Data:**



**Time-Current Characteristic Curve (Full Size Curves Available)**



**Electrical Characteristics**

| Catalog Number | Ampere Rating | I <sup>2</sup> T (Amp <sup>2</sup> Seconds) |               |               | Nom Watts Loss | Rated Voltage  | Dimensions (Inches/mm) |      |               |      |     |       |             |      |
|----------------|---------------|---|---------------|---------------|----------------|----------------|------------------------|------|---------------|------|-----|-------|-------------|------|
|                |               | Pre-Arcing                                  | Total At 415V | Total At 550V |                |                | A                      | B    | D             | E    | F   | G     | H           | J    |
| BD40           | 40            | 1400  | 3600          | 5000          | 4.7            | 550AC<br>250DC | 55.5                   | 21.0 | 5.06<br>128.5 | 14.2 | 1.4 | 111.5 | 0.34<br>8.7 | 11.8 |
| BD50           | 50            | 3000  | 8050          | 11,250        | 4.9            |                |                        |      |               |      |     |       |             |      |
| BD63           | 63            | 6700  | 18,850        | 25,100        | 5.6            |                |                        |      |               |      |     |       |             |      |

The only controlled copy of this BIF document is the electronic read-only version located on the Bussmann Network Drive. All other copies of this BIF document are by definition uncontrolled. This bulletin is intended to clearly present comprehensive product data and provide technical information that will help the end user with design applications. Bussmann reserves the right, without notice, to change design or construction of any products and to discontinue or limit distribution of any products. Bussmann also reserves the right to change or update, without notice, any technical information contained in this bulletin. Once a product has been selected, it should be tested by the user in all possible applications.

## X-ON Electronics

Largest Supplier of Electrical and Electronic Components

*Click to view similar products for [Specialty Fuses](#) category:*

*Click to view products by [Eaton](#) manufacturer:*

Other Similar products are found below :

[63NZ02GL](#) [714125](#) [722134](#) [80NH00GR-6](#) [FWH-200A](#) [FWP-32A14F](#) [FWP-50](#) [HBM-25](#) [12LCT](#) [12TDLSJ63](#) [REN-3](#) [15.5CAVH2E](#) [ECF-2](#)  
[ECF-4](#) [ECF-6](#) [170M0213](#) [170M1314](#) [170M1369-D](#) [170M3809D](#) [BK/F02A-2AS](#) [BK/F02B-1A](#) [N-2-1/2](#) [N-3-2/10](#) [NITD2](#) [20D16](#) [20D16SC](#)  
[20D27FB](#) [KAA-3](#) [KAB-2](#) [KAB-30](#) [KAJ-60](#) [KAW-3](#) [2D16](#) [LKN-125B](#) [16D27SB](#) [170M1564D](#) [170M2616](#) [170M2668](#) [170M4161](#)  
[170M4241](#) [170M4699](#) [ESD63](#) [ABS-25](#) [ABS-30](#) [ABS-8](#) [ACF-15](#) [ACF-30](#) [ACO-30](#) [SSD10](#) [200NH1M](#)