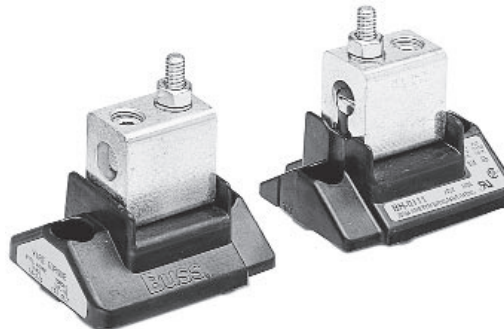


BH-0 modular fuse blocks, 700 V, 100 A

RoHS



Catalog symbol:

- BH-0_

Description:

Bussmann™ series modular fuse blocks for bolt-on high speed, Class J (65-100A) and 600 V Class T (700-100 A) fuses. See mounting dimensions table for applicable Bussmann series fuse catalog symbols and amp ratings.

Specifications:

Ratings

- Volts - 700 V
- Amps - 100 A
- Withstand rating - 200 kA RMS Sym. or the applied fuse interrupting rating, whichever is less

Agency information

- UL® Recognized, Guide IZLT2, File E14853 up to 700 V
- CSA® Certified, Class 6225-01, File 47235 up to 700 V
- CE
- RoHS compliant

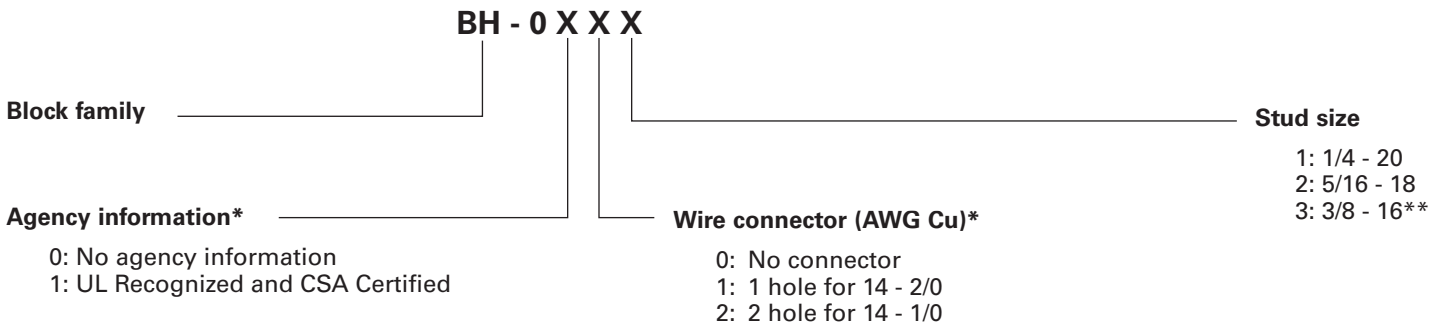
Materials

- Base - light-weight, high temperature thermoplastic
- Mounting studs - plated steel
- Washer - spring steel
- Nuts - plated steel
- Connector: tin-plated aluminum

Conductors — AWG Cu

- One hole connector accepts 14 - 2/0
- Two hole connector accepts 14 - 1/0

Catalog number build-a-code



Notes:

1. Always check applicable end use standards for required spacing between blocks, fuses or other hardware.
2. For applications above 700 V, consult appropriate electrical standard for proper creepage distances, clearance distances and insulator voltage withstand ratings.

* Applicable only to BH-000_ configuration — no agency information, no connector.

** Not applicable with 2 two (2) hole wire connector option.

Dimensions: — mm/in

See Table 1 for A, B and C dimensions per fuse catalog symbol/ampacity and block catalog number from build-a-code.

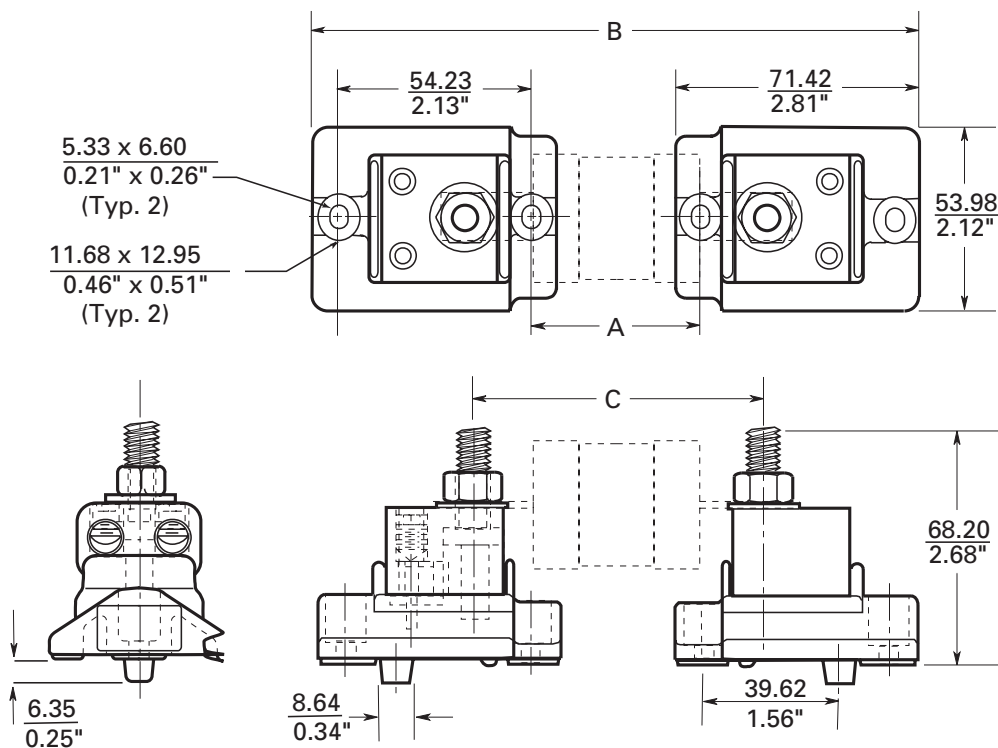


Table 1. Mounting dimensions - mm (in)

Bussmann series fuse catalog symbol	Fuse amp range	Fuse block cat. no.	Stud dia. (in)	Fuse volts	Dimensions — mm (in)		
					A	B	C
FBP_	35-60	BH-0111	1/4	700	25.41 (1.482)	162.87 (6.412)	71.42 (2.812)
FBP_	70-100	BH-0121	1/4	700	38.46 (1.514)	163.68 (6.444)	72.24 (2.844)
FWA_	70-100	BH-0111	1/4	150	18.21 (0.717)	143.43 (5.647)	52.00 (2.047)
FWH_	35-60	BH-0112	5/16	500	27.74 (1.092)	152.96 (6.022)	61.52 (2.422)
FWH_	70-100	BH-0122	5/16	500	38.86 (1.530)	164.08 (6.460)	72.64 (2.860)
FWP_	35-60	BH-0112	5/16	700	57.91 (2.280)	183.13 (7.210)	91.69 (3.610)
FWP_	70-100	BH-0122	5/16	700	56.72 (2.233)	105.74 (7.163)	90.50 (3.563)
FWX_	35-60	BH-0112	5/16	250	27.74 (1.092)	152.96 (6.022)	61.52 (2.422)
FWX_	70-100	BH-0112	5/16	250	24.97 (0.983)	15.19 (5.913)	58.75 (2.313)
JJS_	70-100	BH-0111	1/4	600	25.96 (1.022)	151.18 (5.952)	59.74 (2.352)
JKS_	65-100	BH-0111	1/4	600	53.17 (2.290)	183.39 (7.220)	91.95 (3.620)
KAB_	35-60	BH-0112	5/16	250	28.12 (1.107)	153.34 (6.037)	61.90 (2.437)
KAB_	70-100	BH-0112	5/16	250	26.54 (1.045)	151.77 (5.975)	60.33 (2.375)
KAC_	35-60	BH-0112	5/16	600	58.29 (2.295)	183.52 (7.225)	92.08 (3.625)
KAC_	70-100	BH-0113	3/8	600	64.34 (2.530)	189.48 (7.460)	98.04 (3.860)
KAX_	35-60	BH-0112	5/16	250	28.12 (1.107)	153.34 (6.037)	61.90 (2.437)
KAX_	70-100	BH-0112	5/16	250	26.54 (1.045)	151.77 (5.975)	60.33 (2.375)
KBC_	35-60	BH-0112	5/16	600	58.29 (2.295)	183.52 (7.225)	92.08 (3.625)
KBC_	70-100	BH-0121	1/4	600	59.08 (2.326)	184.30 (7.256)	92.86 (3.656)
KBH_	35-60	BH-0112	5/16	500	28.12 (1.107)	153.34 (6.037)	61.90 (2.437)
KBH_	65-100	BH-0121	1/4	500	39.24 (1.545)	164.47 (6.475)	73.03 (2.875)
KBP_	35-100	BH-0111	1/4	700	58.29 (2.295)	183.52 (7.225)	92.08 (3.625)
LPJ_	65-100	BH-0111	1/4	600	58.17 (2.290)	183.39 (7.220)	91.95 (3.620)

The only controlled copy of this data sheet is the electronic read-only version located on the Eaton network drive. All other copies of this document are by definition uncontrolled. This bulletin is intended to clearly present comprehensive product data and provide technical information that will help the end user with design applications. Eaton reserves the right, without notice, to change design or construction of any products and to discontinue or limit distribution of any products. Eaton also reserves the right to change or update, without notice, any technical information contained in this bulletin. Once a product has been selected, it should be tested by the user in all possible applications.

Eaton
1000 Eaton Boulevard
Cleveland, OH 44122
Eaton.com

Bussmann Division
114 Old State Road
Ellisville, MO 63021
United States
Eaton.com/bussmannseries

© 2016 Eaton
All Rights Reserved
Printed in USA
Publication No. 1200 — J02322
December 2016

Eaton and Bussmann are valuable trademarks of Eaton in the U.S. and other countries. You are not permitted to use the Eaton trademarks without prior written consent of Eaton.

CSA is a registered trademark of the Canadian Standards Group.
UL is a registered trademark of the Underwriters Laboratories, Inc.

For Eaton's Bussmann series product information, call **1-855-287-7626** or visit: **Eaton.com/bussmannseries**

Follow us on social media to get the latest product and support information.



X-ON Electronics

Largest Supplier of Electrical and Electronic Components

Click to view similar products for [Fuse Holder](#) category:

Click to view products by [Eaton](#) manufacturer:

Other Similar products are found below :

[570-290-741P40](#) [570-290-751P40](#) [020417G](#) [020418E](#) [6R30A1B](#) [F600A3B](#) [80910030](#) [8601.2020](#) [G15A2SPQ](#) [9-3557-GP REV A](#) [HDJ-B](#)
[R6J30A3S](#) [HFH-1](#) [RF30A1S](#) [RF30A2B](#) [RF30A3SP](#) [15600-08-10](#) [BK/FHN19G](#) [BK/HHM](#) [BK/HKP-CCHH](#) [BK/HKP-JJ](#) [BK/HTJ-LES-](#)
[FUSE](#) [HMG-241](#) [HTJ-LES-FUSE](#) [C4044-1](#) [2086-1](#) [2193](#) [2602](#) [2650](#) [178.000100](#) [FHN31G1](#) [T30A2B](#) [G4PB8](#) [2660](#) [2799](#) [CQ-209V](#) [HKP-](#)
[CCHH](#) [R6F30A2S](#) [341001A](#) [345621A](#) [CVRMCC](#) [4202](#) [4407](#) [4408](#) [4413](#) [4423](#) [4532](#) [4537](#) [TSD1404-12](#) [BK/FHN31G1](#)